

[54] COMBINED AMPLIFIER AND DIGITAL AUDIO DISC PLAYER

[75] Inventor: Ryozo Hayashi, Osaka, Japan

[73] Assignee: Sharp Corporation, Osaka, Japan

[**] Term: 14 Years

[21] Appl. No.: 428,753

[22] Filed: Oct. 27, 1989

[52] U.S. Cl. D14/168; D14/156

[58] Field of Search D14/136, 156, 163, 165,
D14/168-171, 175-176, 188-198; 455/92, 100,
128, 344, 350-351; 312/7.1

[56] References Cited

U.S. PATENT DOCUMENTS

- D. 262,537 1/1982 Kikuhara D14/188
- D. 266,326 9/1982 Kikuhara D14/197
- D. 315,905 4/1991 Ito et al. D14/136 X

OTHER PUBLICATIONS

Stereo Review, Mar. 1986, p. 29, Carver 4000t preamplifier.

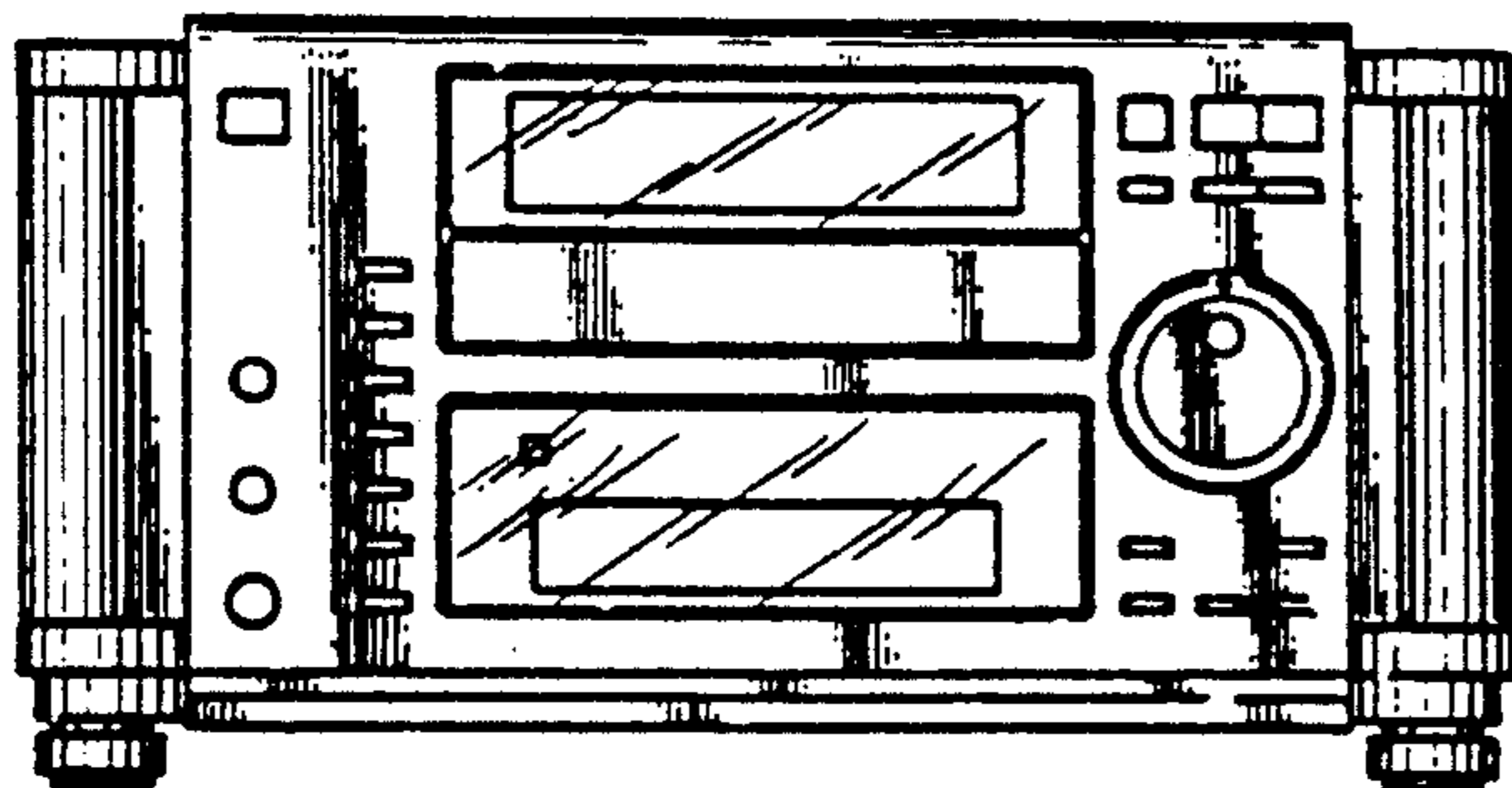
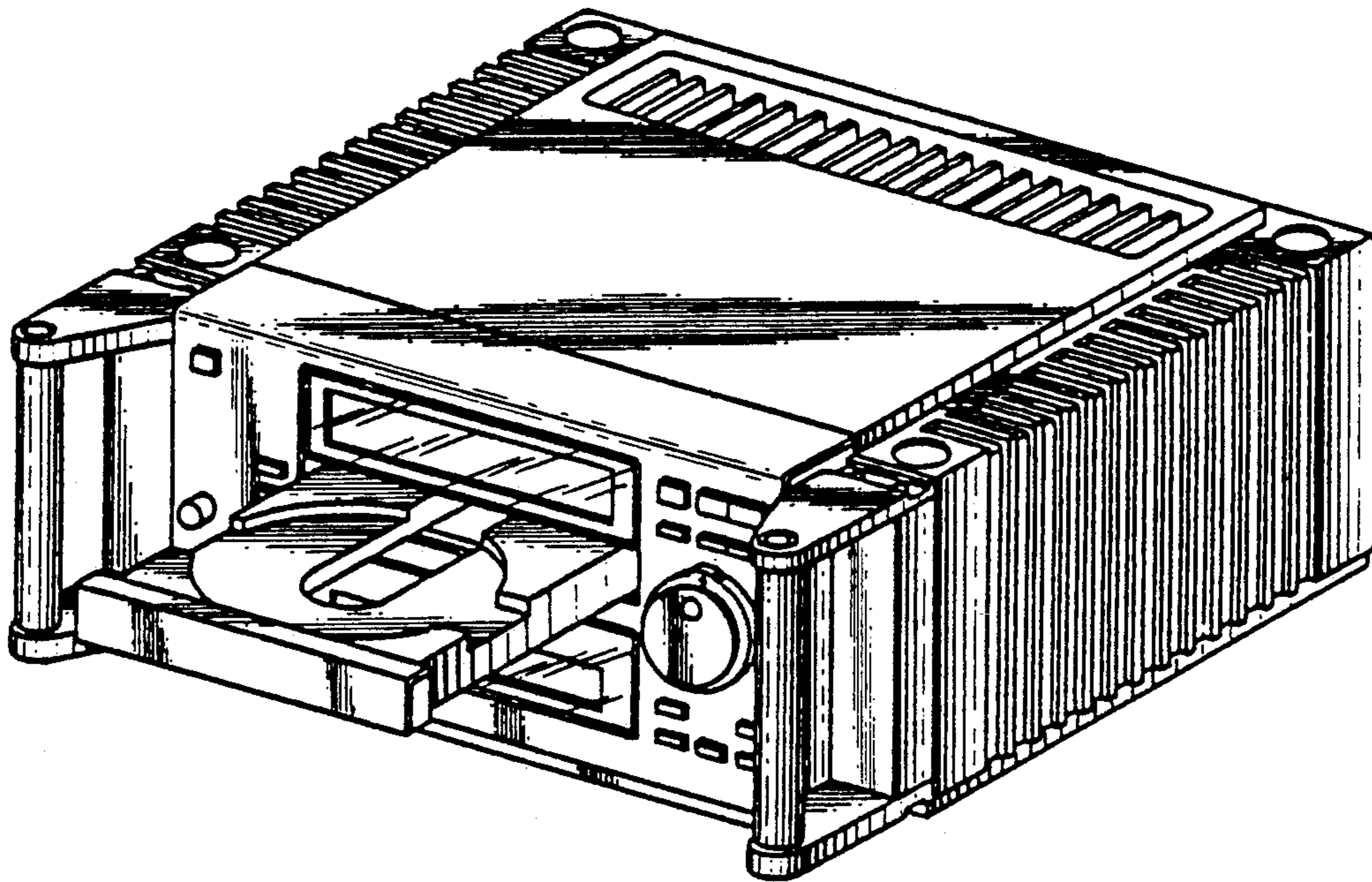
Primary Examiner—Theodore M. Shooman
Attorney, Agent, or Firm—Flehr, Hohbach, Test
Albritton & Herbert

[57] CLAIM

The ornamental design for a combined amplifier and digital audio disc player, as shown and described.

DESCRIPTION

FIG. 1 is an enlarged top, front and right side perspective view of a combined amplifier and digital audio disc player showing my new design, with the disc holder in an extended position;
FIG. 2 is a front elevational view thereof;
FIG. 3 is a rear elevational view thereof;
FIG. 4 is a top plan view thereof;
FIG. 5 is a bottom plan view thereof;
FIG. 6 is a right side elevational view thereof; and
FIG. 7 is a left side elevational view thereof.



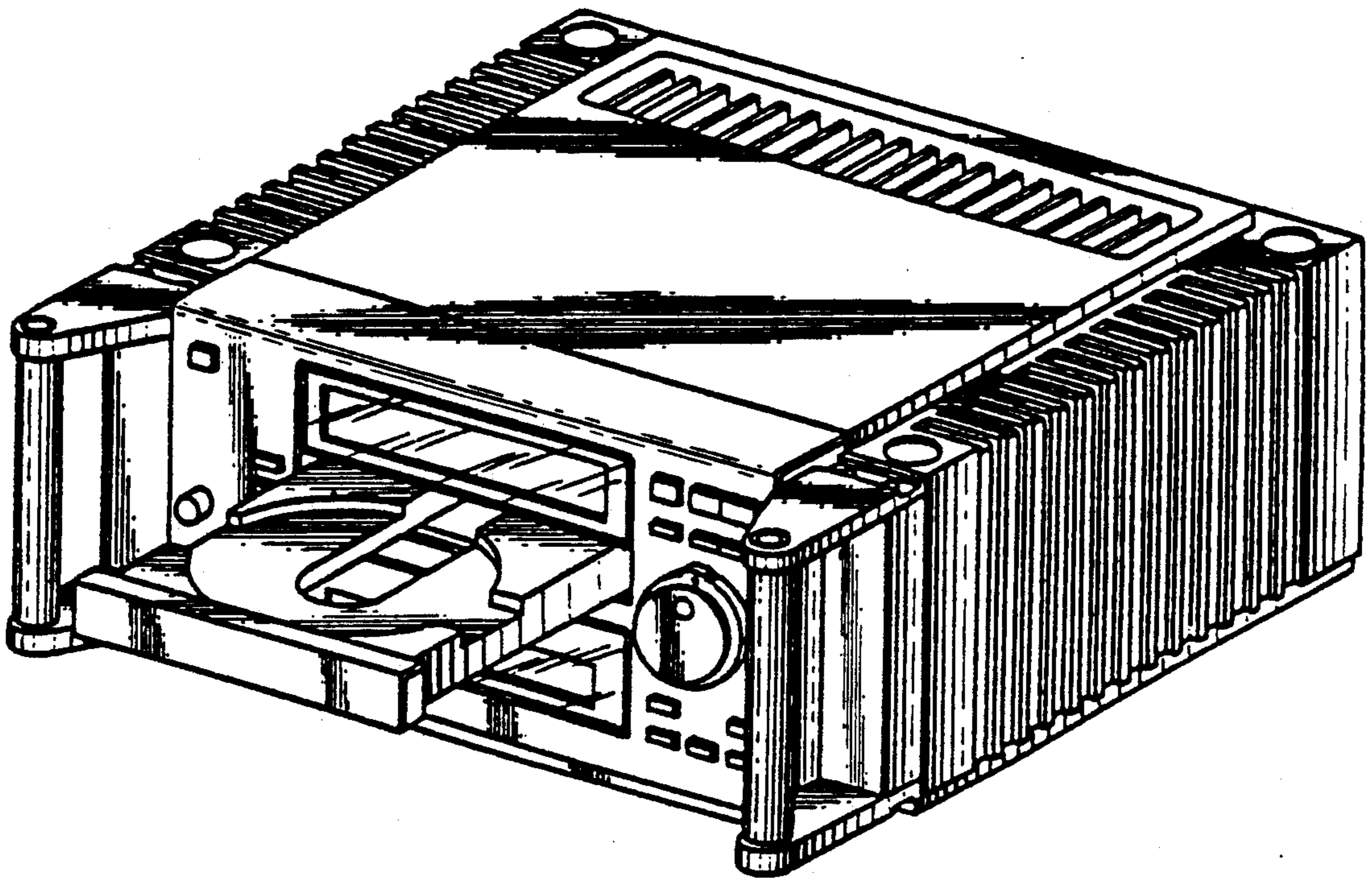


FIG. 1

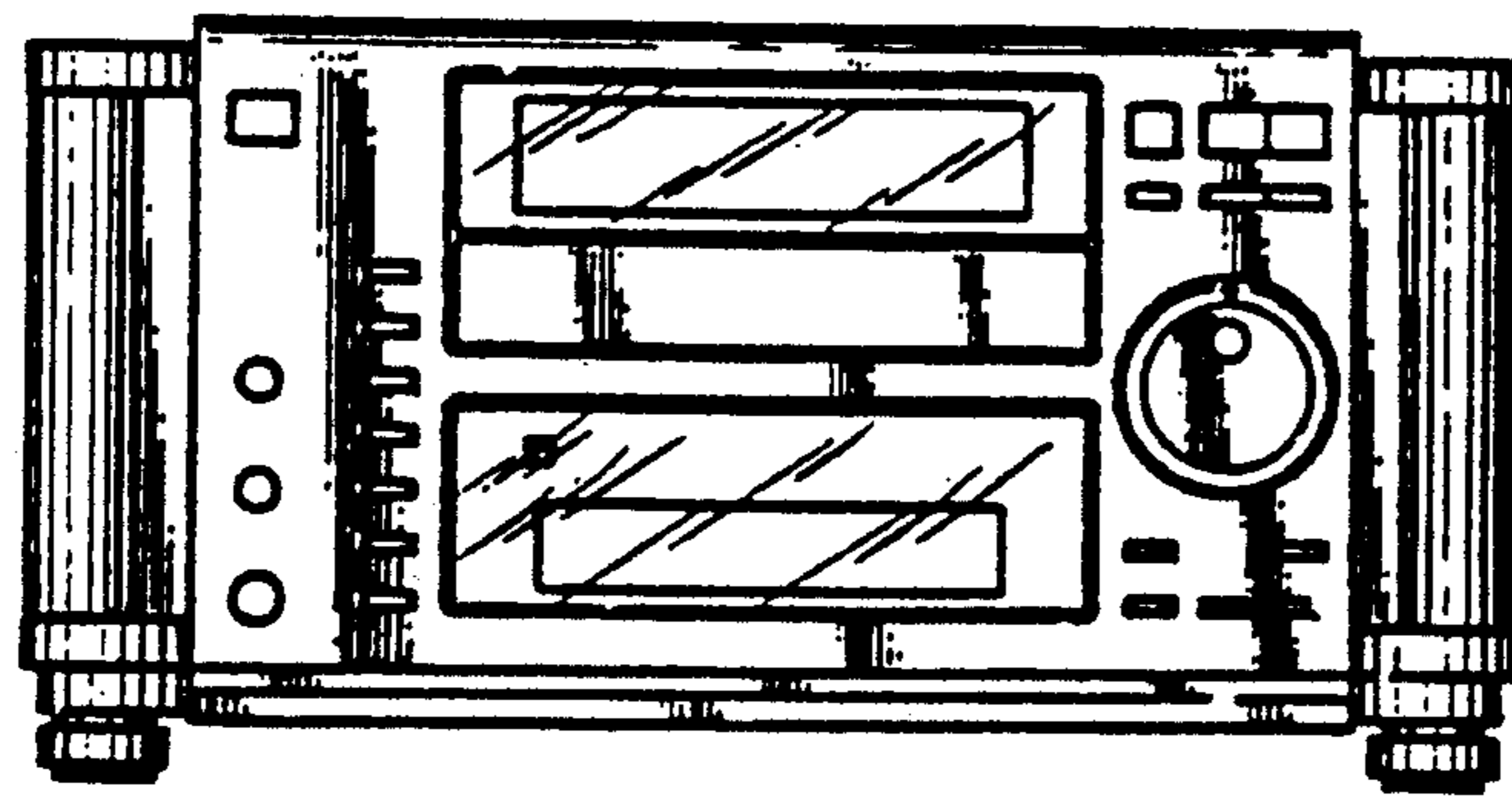


FIG. 2

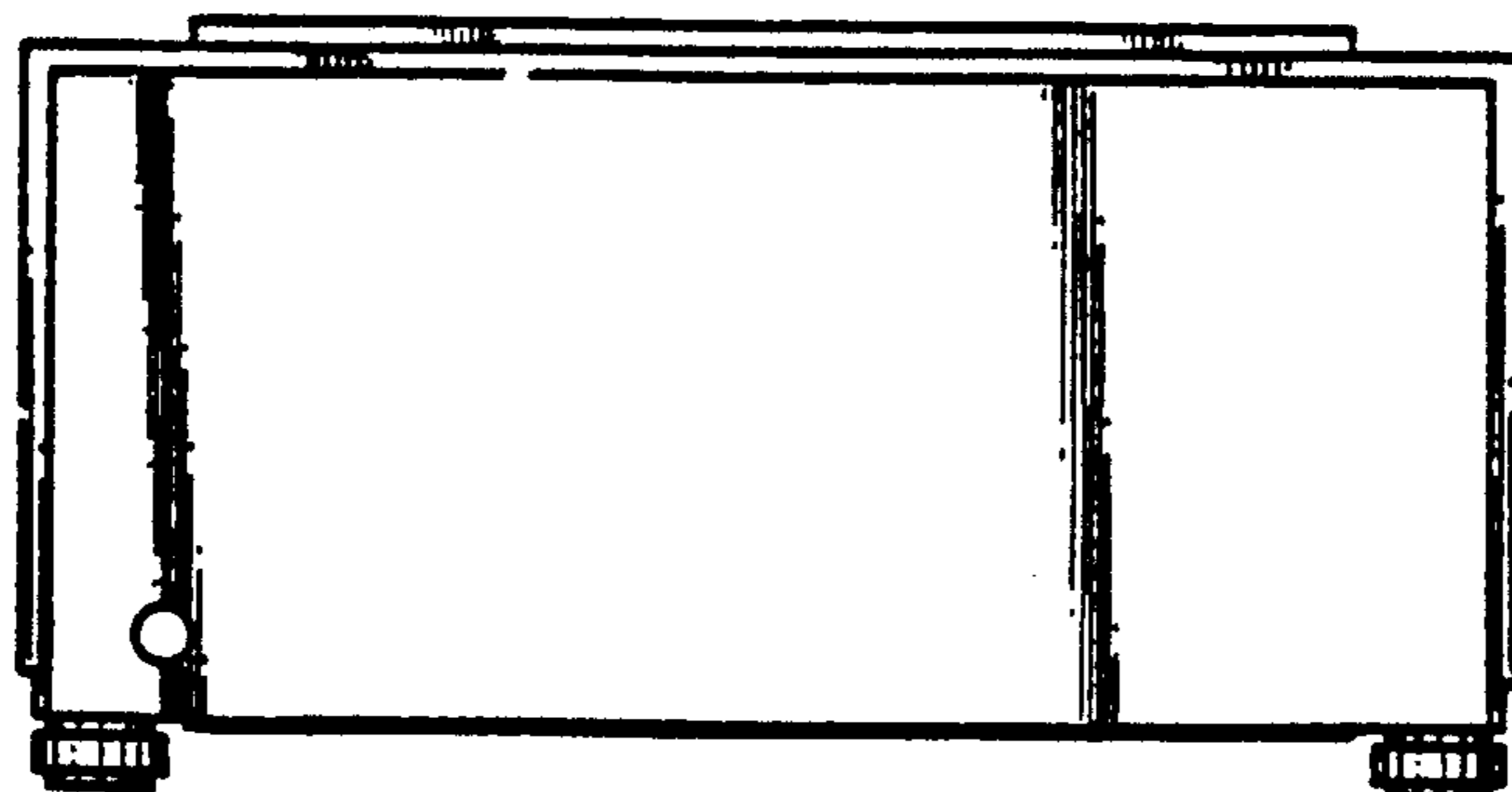


FIG. 3

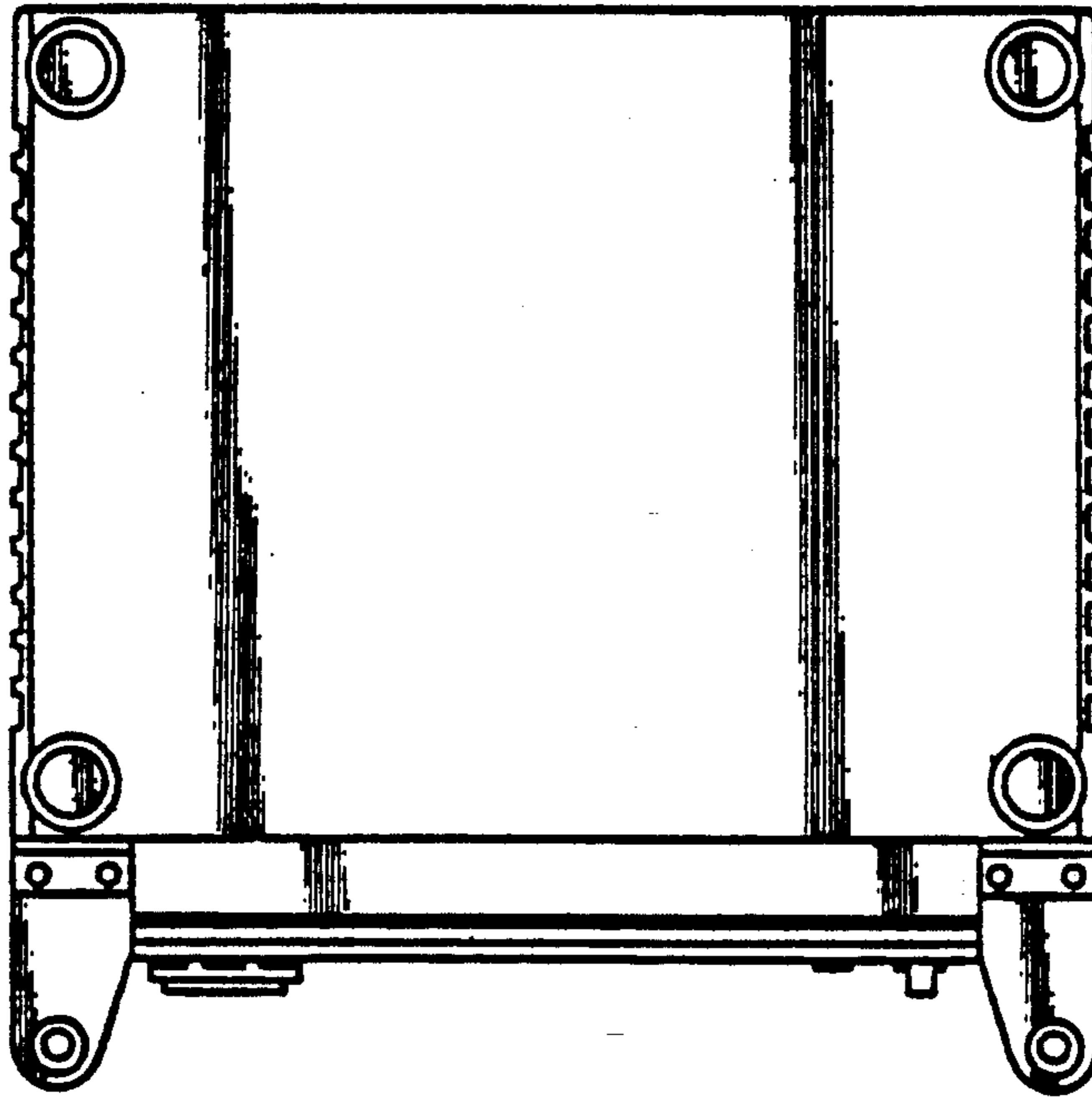


FIG. 4

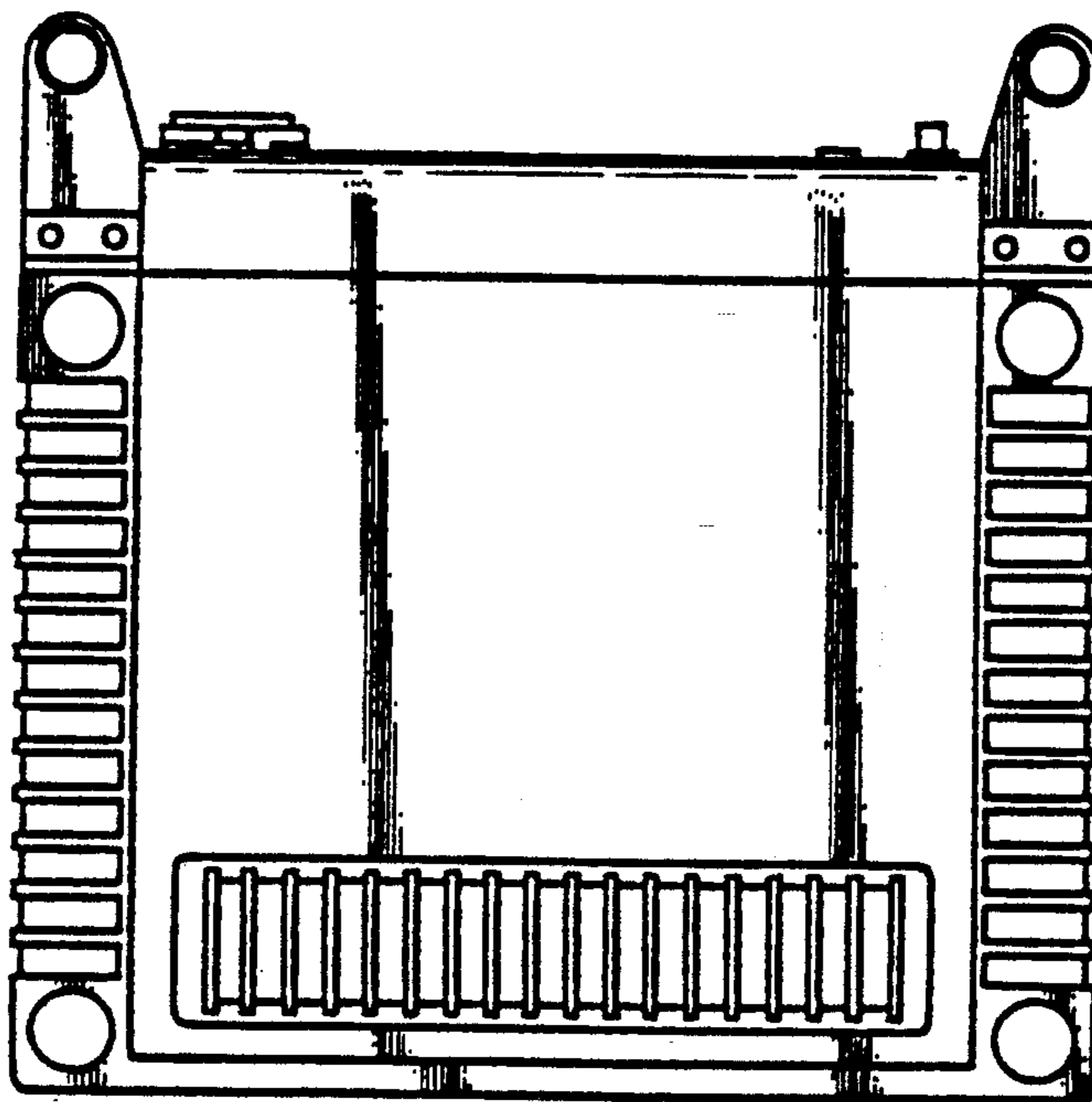


FIG. 5

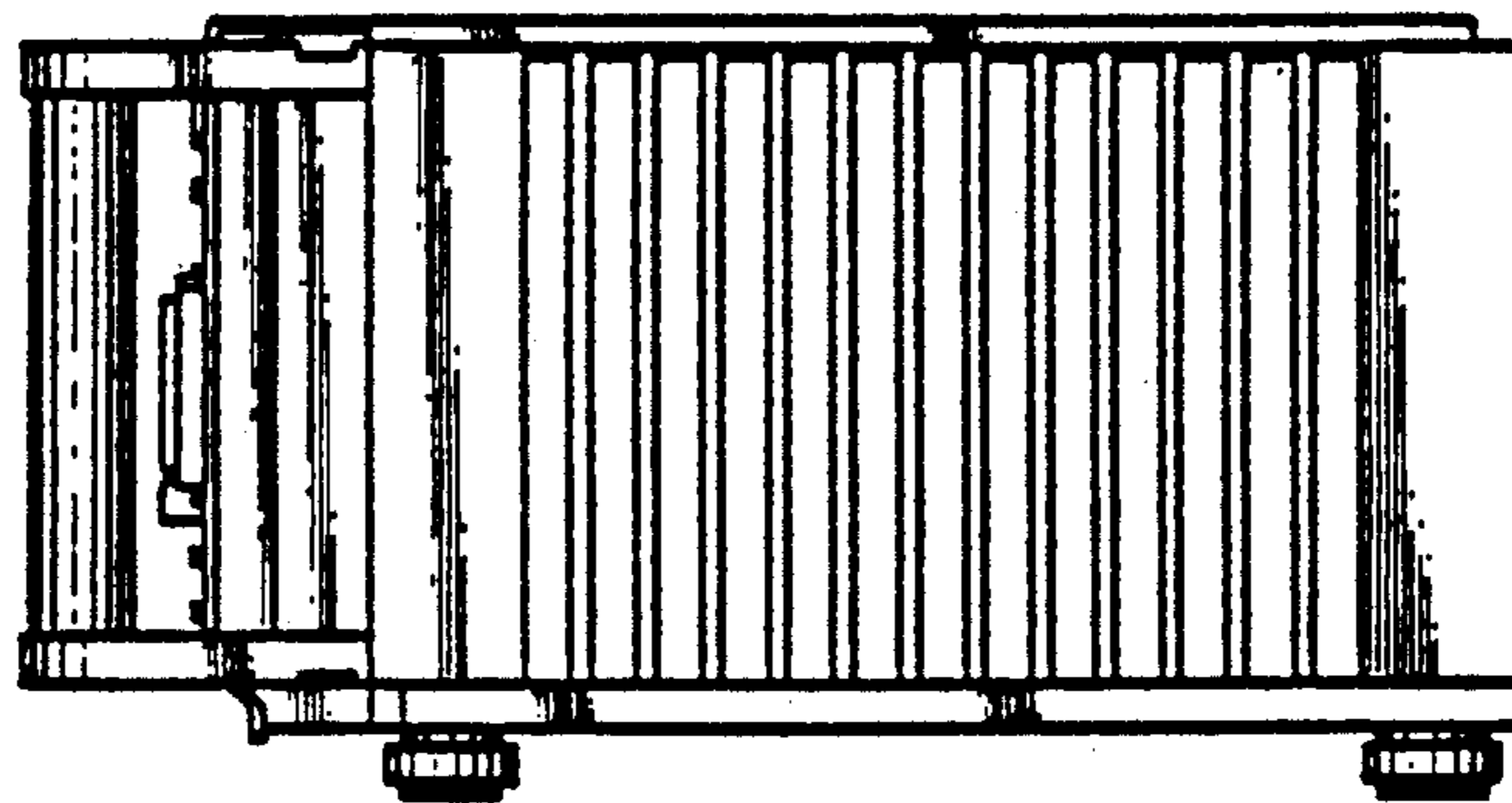


FIG. 6

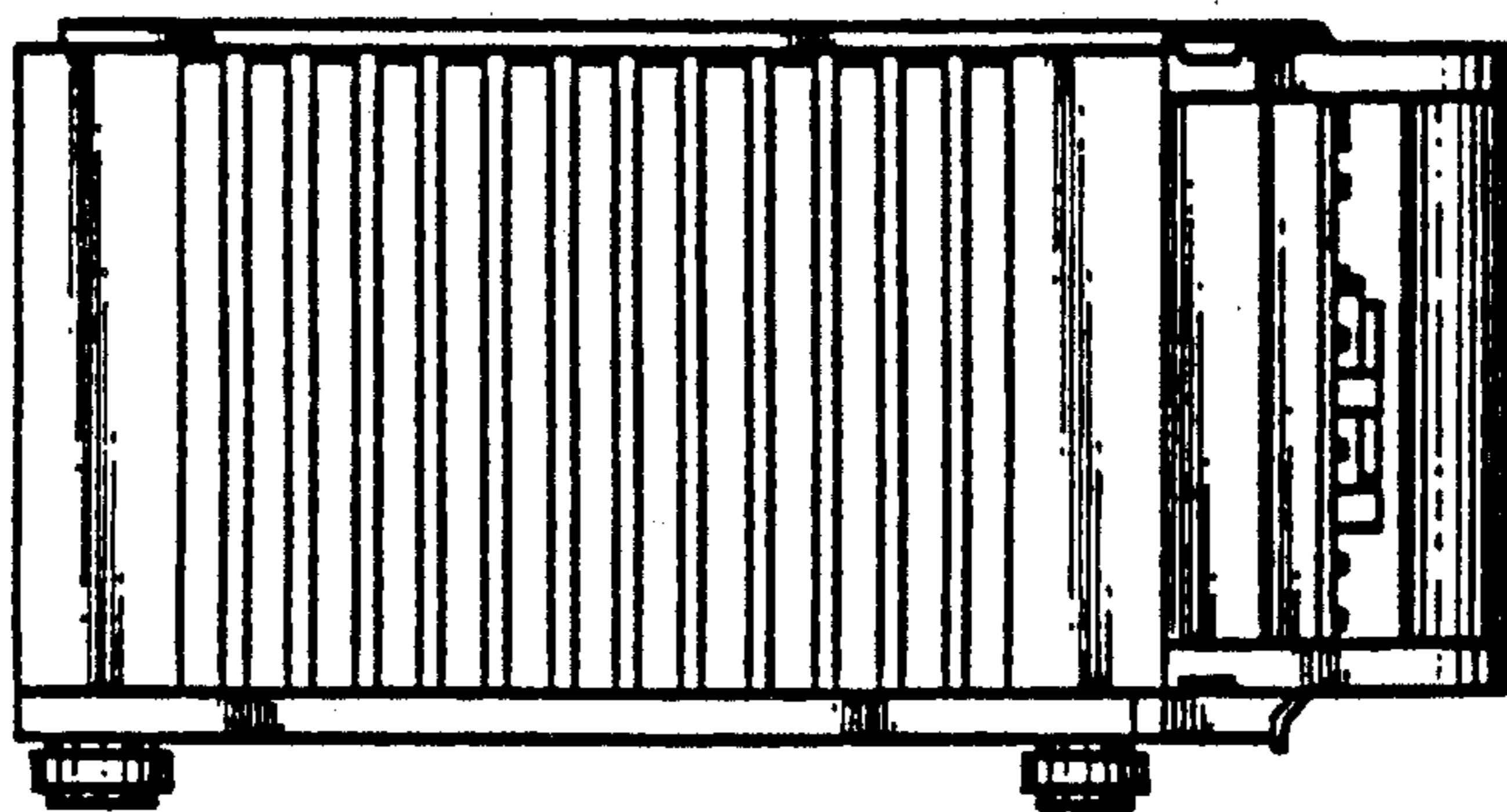


FIG. 7