

[54] COMBINED DIGITAL AUDIO DISC PLAYER, TUNER AND TAPE RECORDER

[75] Inventors: Masafumi Ito, Tokyo; Shigeru Hasegawa, Kodaira; Minoru Sube, Hachioji; Yuji Sato, Choufu, all of Japan

[73] Assignee: Teac Corporation, Japan

[**] Term: 14 Years

[21] Appl. No.: 302,722

[22] Filed: Jan. 26, 1989

[30] Foreign Application Priority Data

Jul. 29, 1988 [JP] Japan 63-30456

[52] U.S. Cl. D14/168; D14/136; D14/156

[58] Field of Search D14/124-125, D14/135-136, 156, 160-162, 164, 168; 369/75.1, 77.1, 77.2

[56] References Cited

U.S. PATENT DOCUMENTS

- D. 264,713 6/1982 O'Leary D14/136
- D. 270,442 9/1983 O'Leary et al. D14/136
- D. 274,618 7/1984 Ishii D14/136
- D. 301,880 6/1989 Shim D14/136 X

OTHER PUBLICATIONS

Stereo Review; Jan. 1986; p. 54; Left center-Meridian MCD Pro.

The Official Gazette publication of Japanese Design Registration 648276, dated 1985.

Stereo Review, Dec. 1987, showing a product of the Acoustic Research Company.

Primary Examiner—Theodore M. Shooman
Attorney, Agent, or Firm—Andrus, Scales, Starke & Sawall

[57] CLAIM

The ornamental design for a combined digital audio disc player, tuner and tape recorder, as shown and described.

DESCRIPTION

FIG. 1 is a front elevational view of a combined digital audio disc player, tuner and tape recorder showing our new design;

FIG. 2 is a top plan view thereof;

FIG. 3 is a rear elevational view thereof;

FIG. 4 is a bottom plan view thereof;

FIG. 5 is a left side elevational view thereof;

FIG. 6 is a right side elevational view thereof;

FIG. 7 is a top, front and right side perspective view thereof; and

FIG. 8 is a top, front and right side perspective view thereof, shown with the covers are in an open position and the disc tray is drawn out.

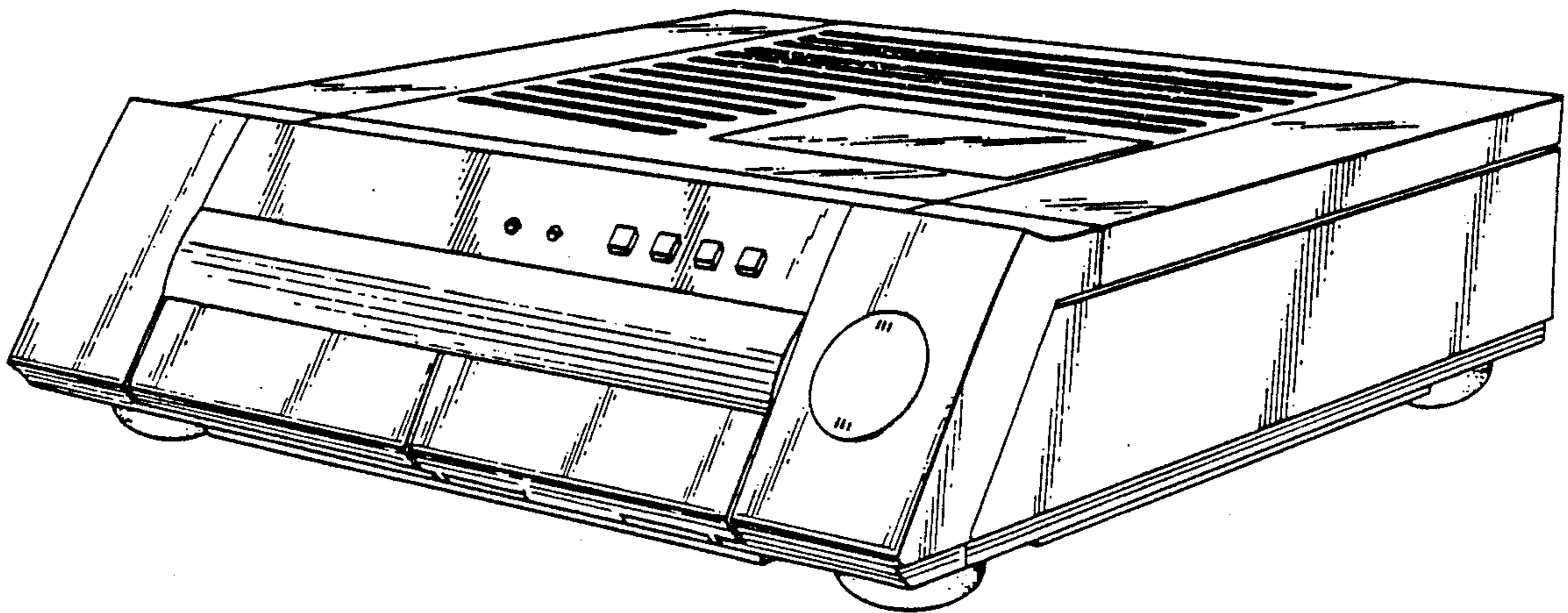


FIG. 1

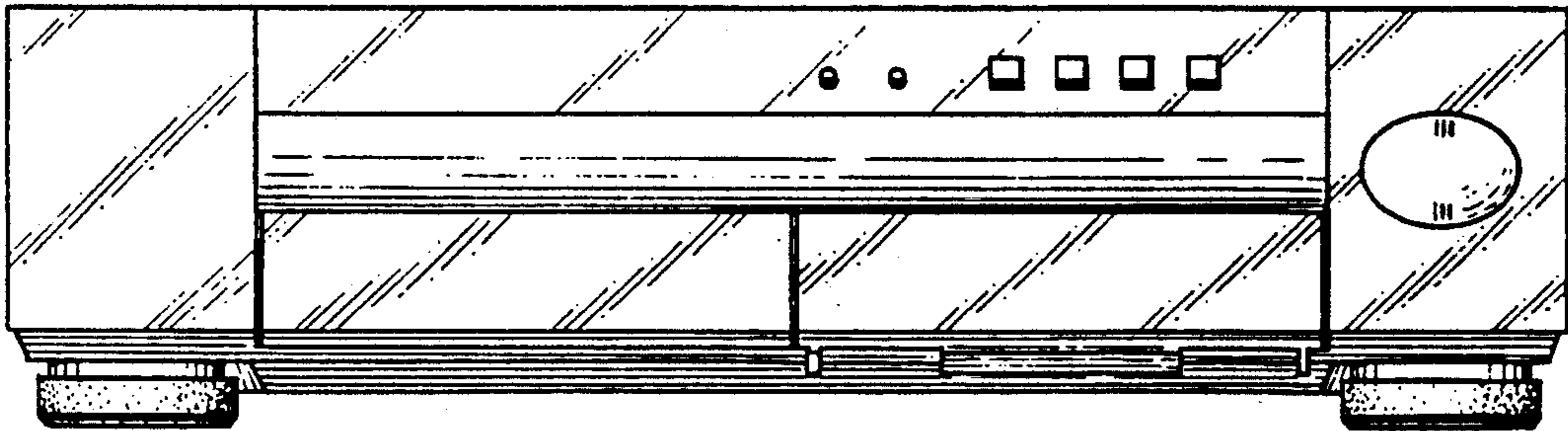


FIG. 2

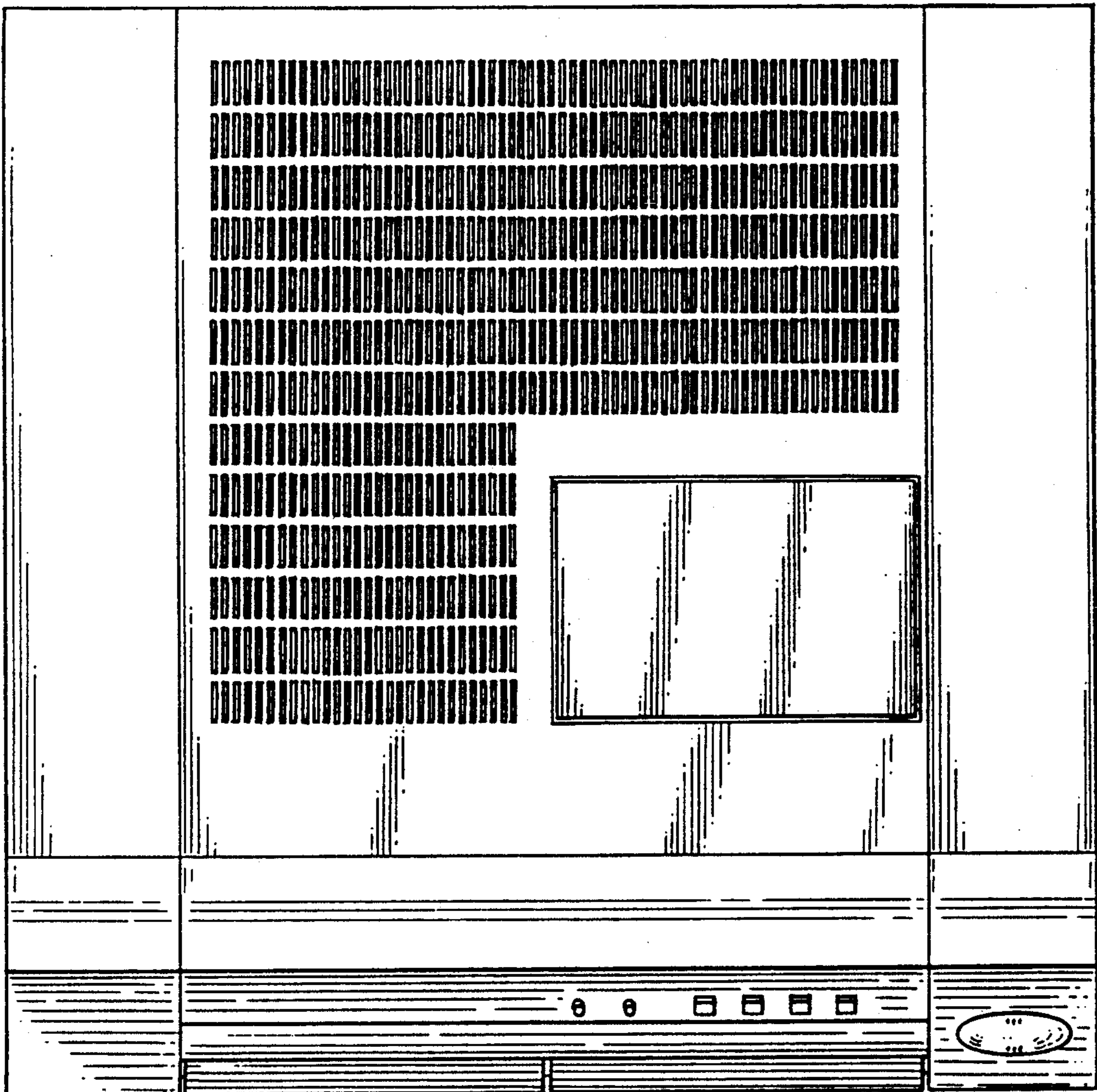


FIG. 3

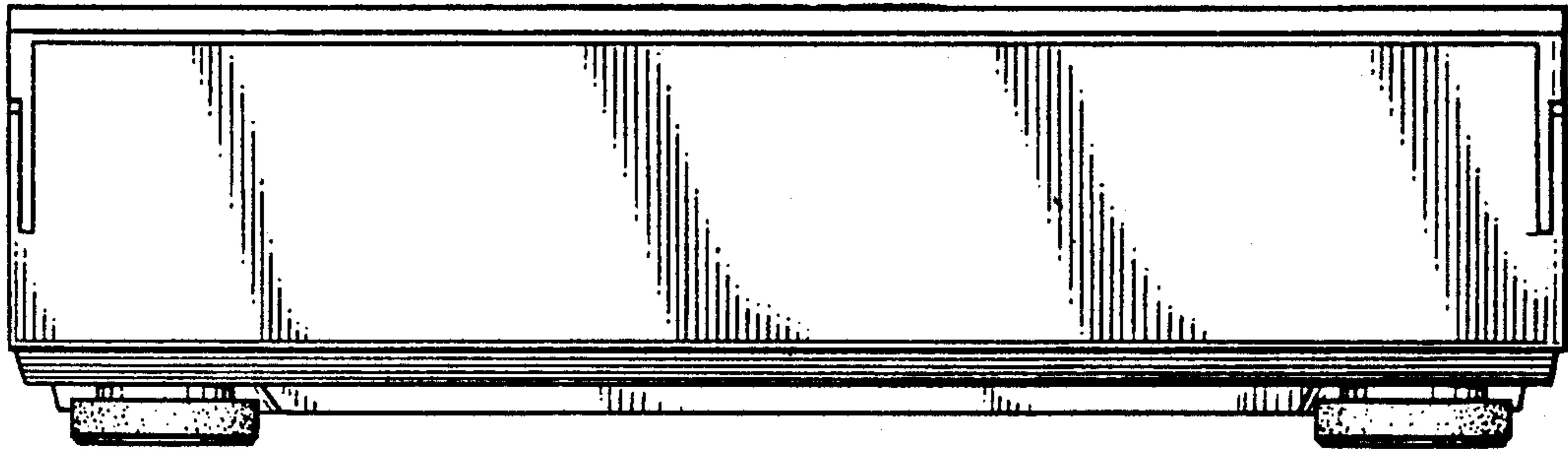


FIG. 4

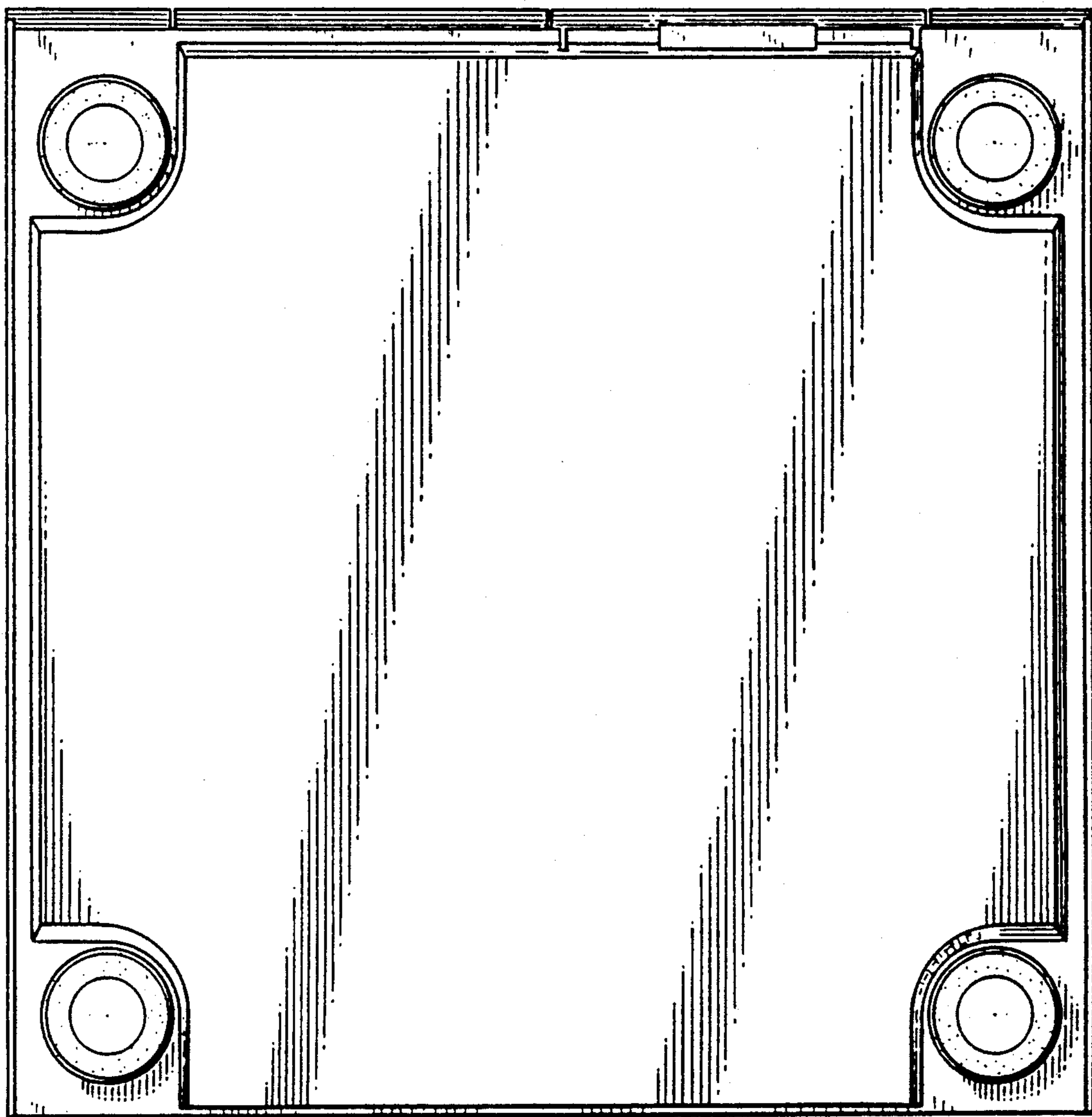


FIG. 5

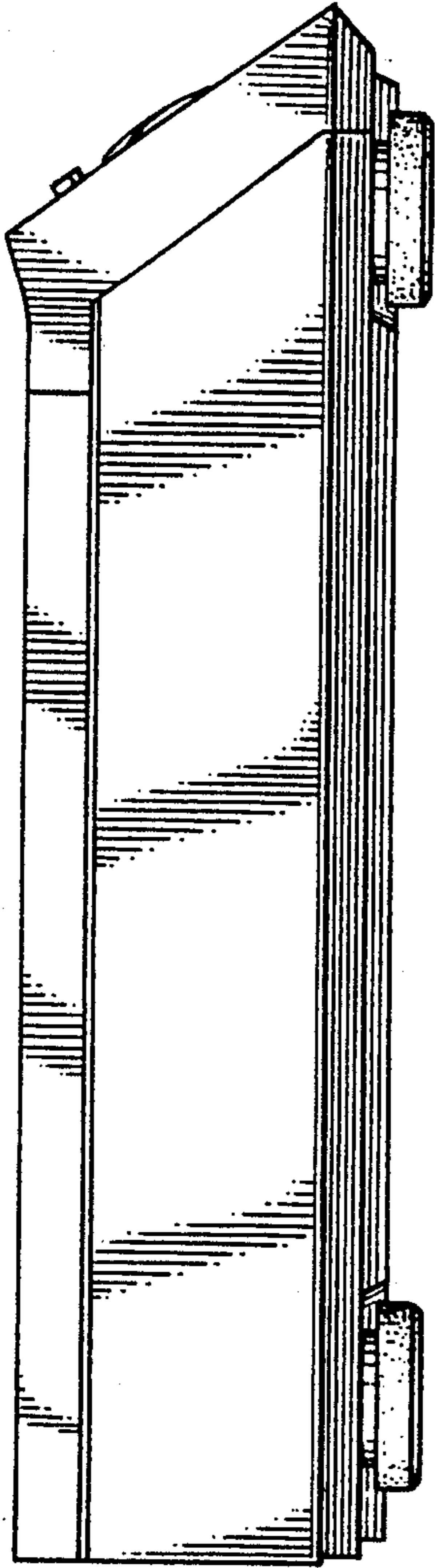


FIG. 7

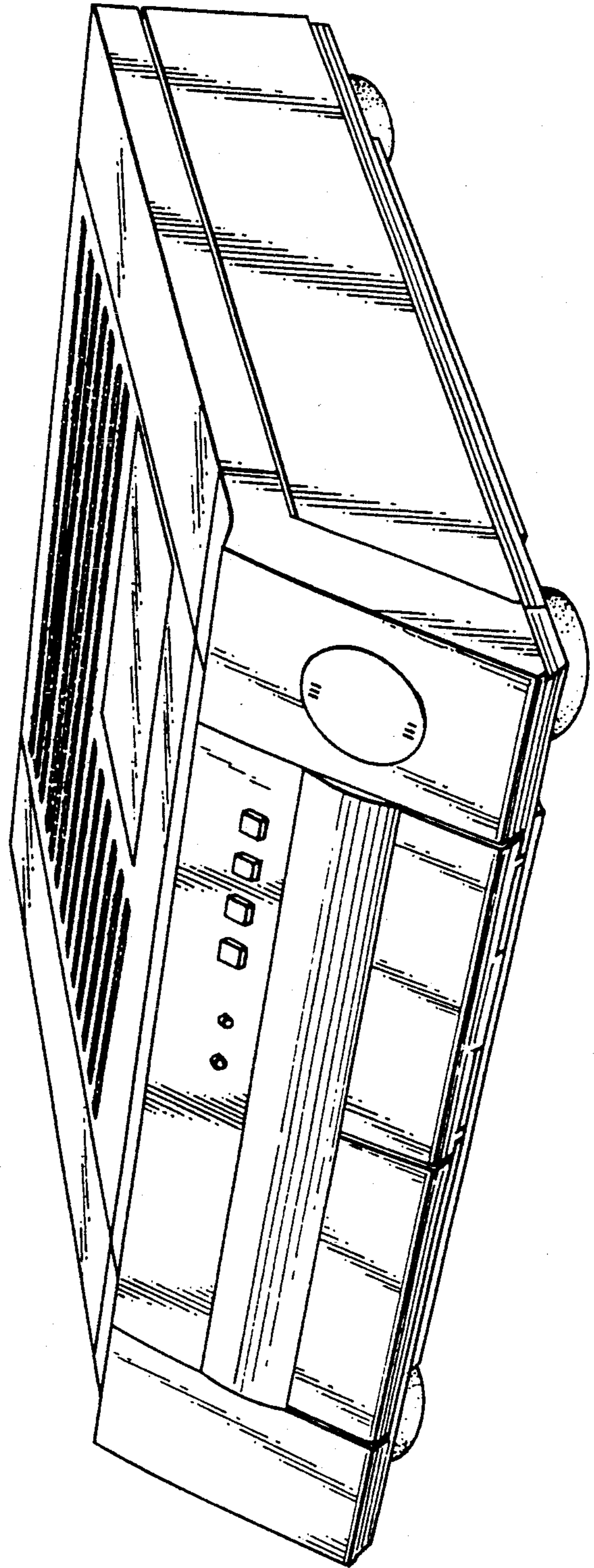


FIG. 6

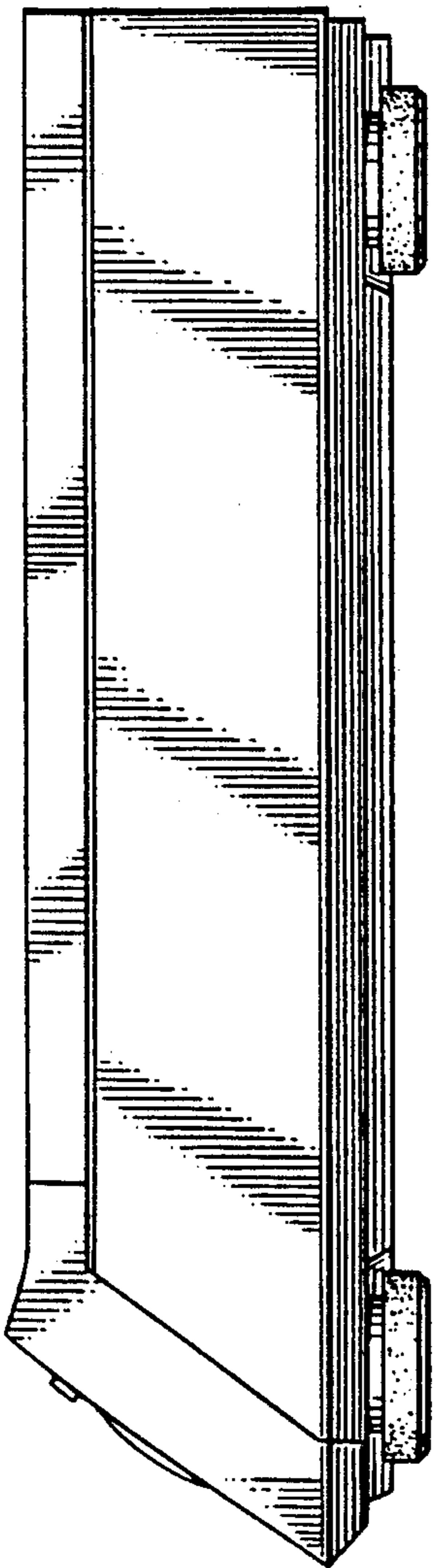


FIG. 8

