

[54] DIGITAL AUDIO DISC PLAYER

D. 315,905 4/1991 Ito et al. D14/136 X

[75] Inventors: Masafumi Ito, Tokyo; Shigeru Hasegawa, Kodaira; Minoru Sube, Hachioji, all of Japan

[73] Assignee: Teac Corporation, Japan

[**] Term: 14 Years

[21] Appl. No.: 381,162

[22] Filed: Jul. 18, 1989

[52] U.S. Cl. D14/156; D14/136

[58] Field of Search D14/124-125, D14/135-136, 156, 160-162, 164, 168; 369/75.1, 77.1, 77.2

[56] References Cited

U.S. PATENT DOCUMENTS

- D. 272,063 1/1984 Ekuan D14/156
- D. 290,111 6/1987 Kawano et al. D14/156
- D. 315,348 3/1991 Wada D14/156

OTHER PUBLICATIONS

Stereo Review. Dec. 1987, p. 91, Bottom left-Teac. PD-1/D-1 compact disc player.

Primary Examiner—Theodore M. Shooman
Attorney, Agent, or Firm—Andrus, Scales, Starke & Sawall

[57] CLAIM

The ornamental design for a digital audio disc player, as shown and described.

DESCRIPTION

FIG. 1 is a front elevational view of a digital audio disc player showing our new design; FIG. 2 is a rear elevational view thereof; FIG. 3 is a left side elevational view thereof; FIG. 4 is a top plan view thereof; FIG. 5 is a bottom plan view thereof; and FIG. 6 is a top, front and right side perspective view thereof, shown with the disc tray drawn out.

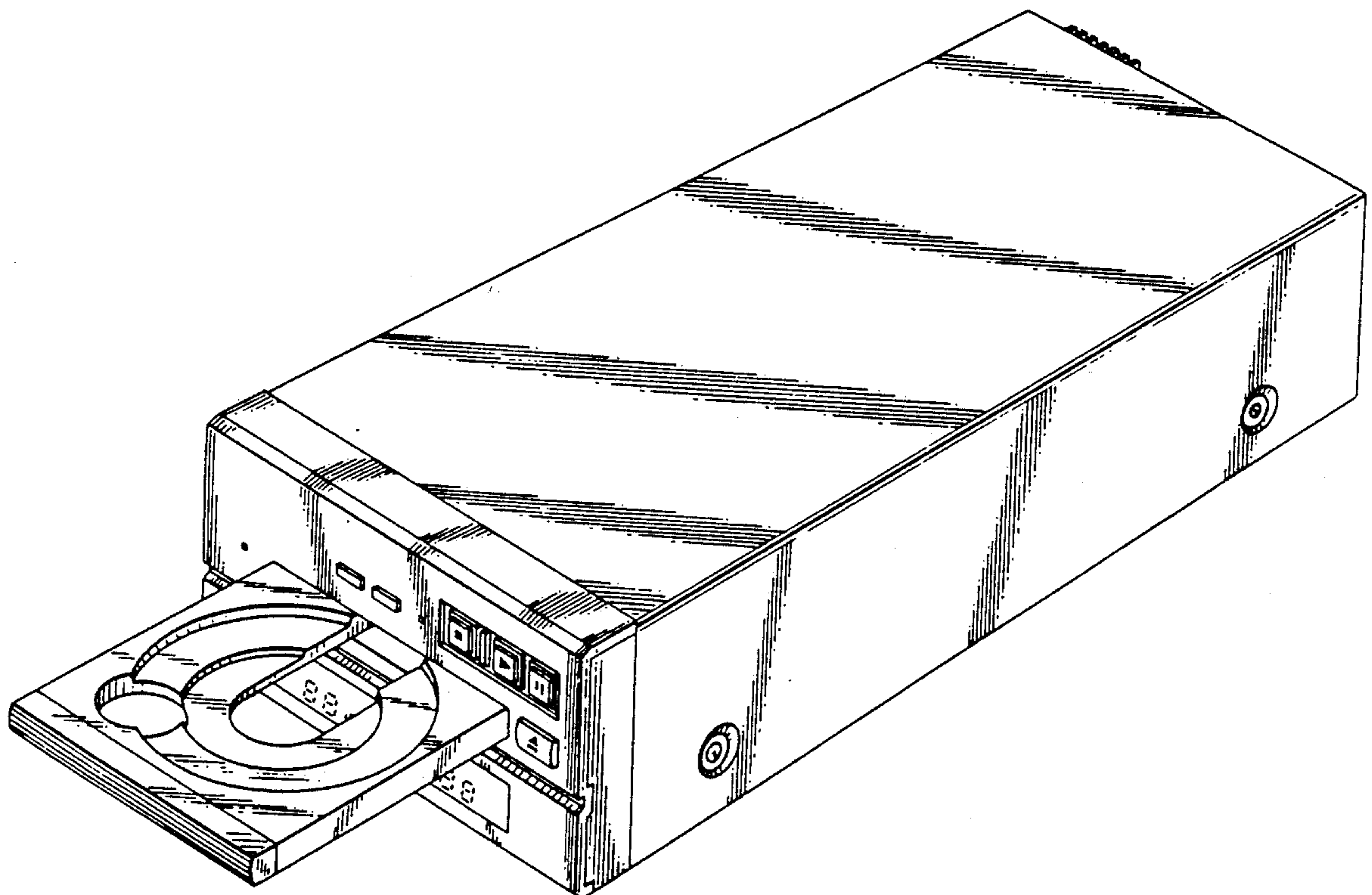
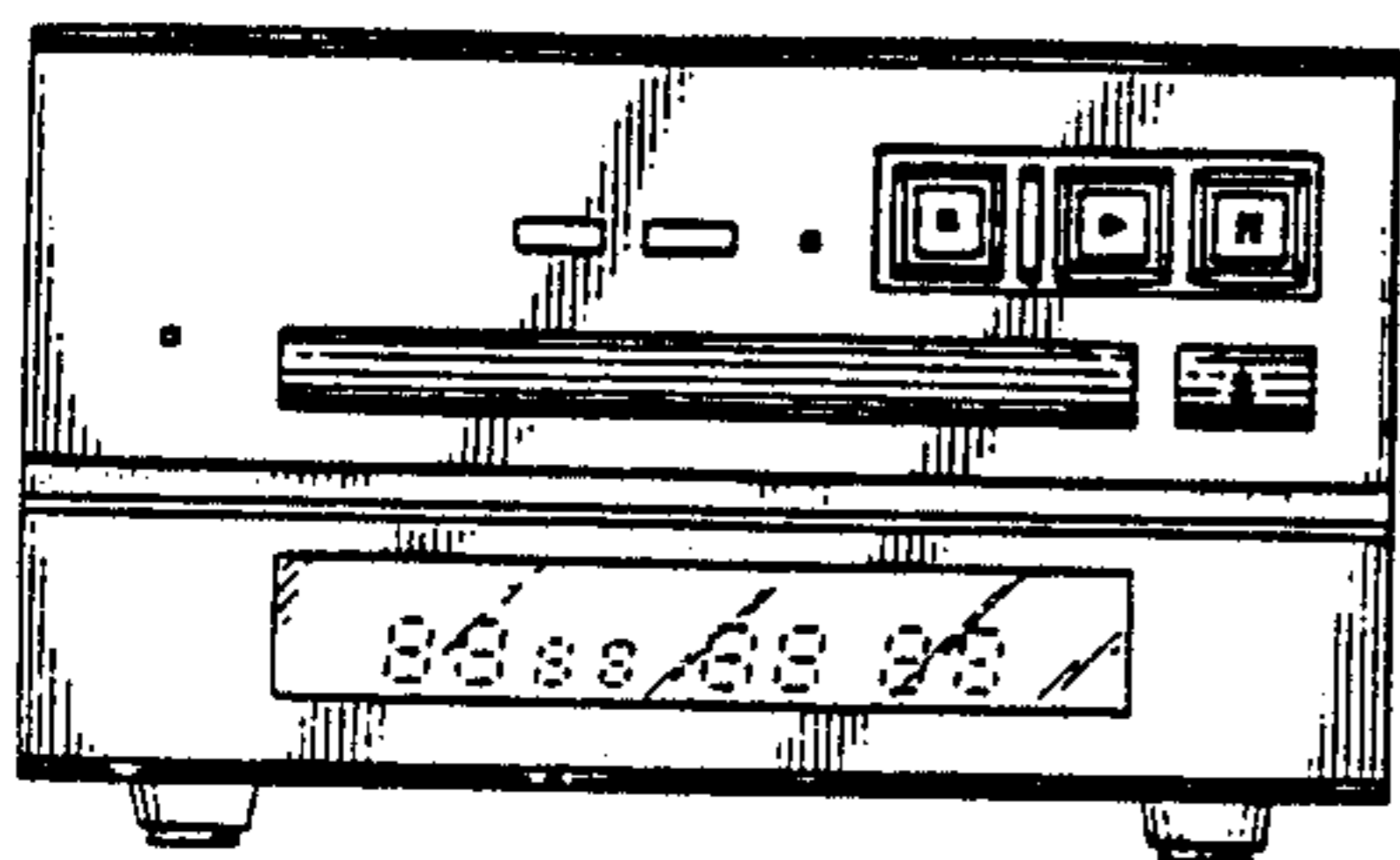


FIG. 1

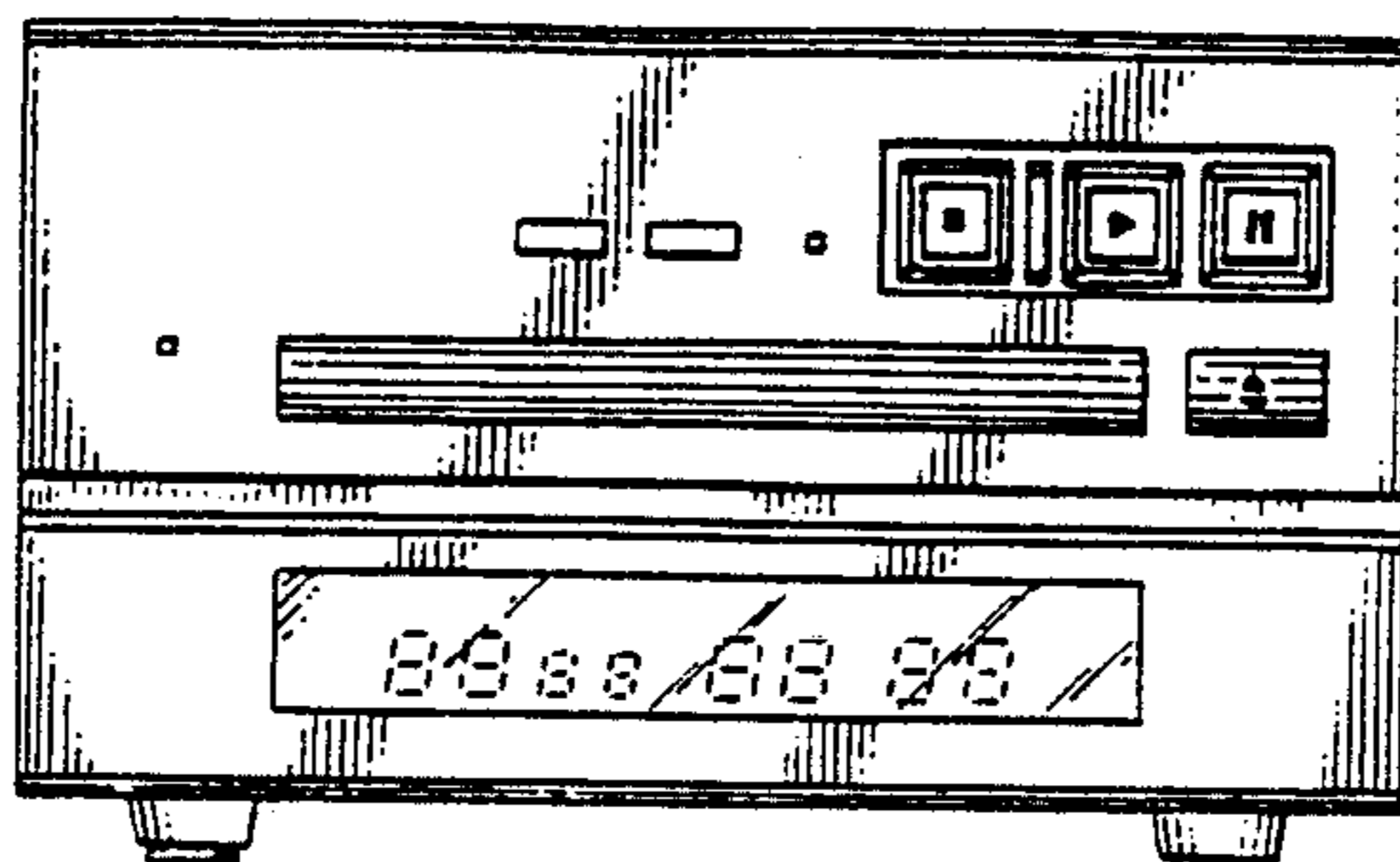


FIG. 2

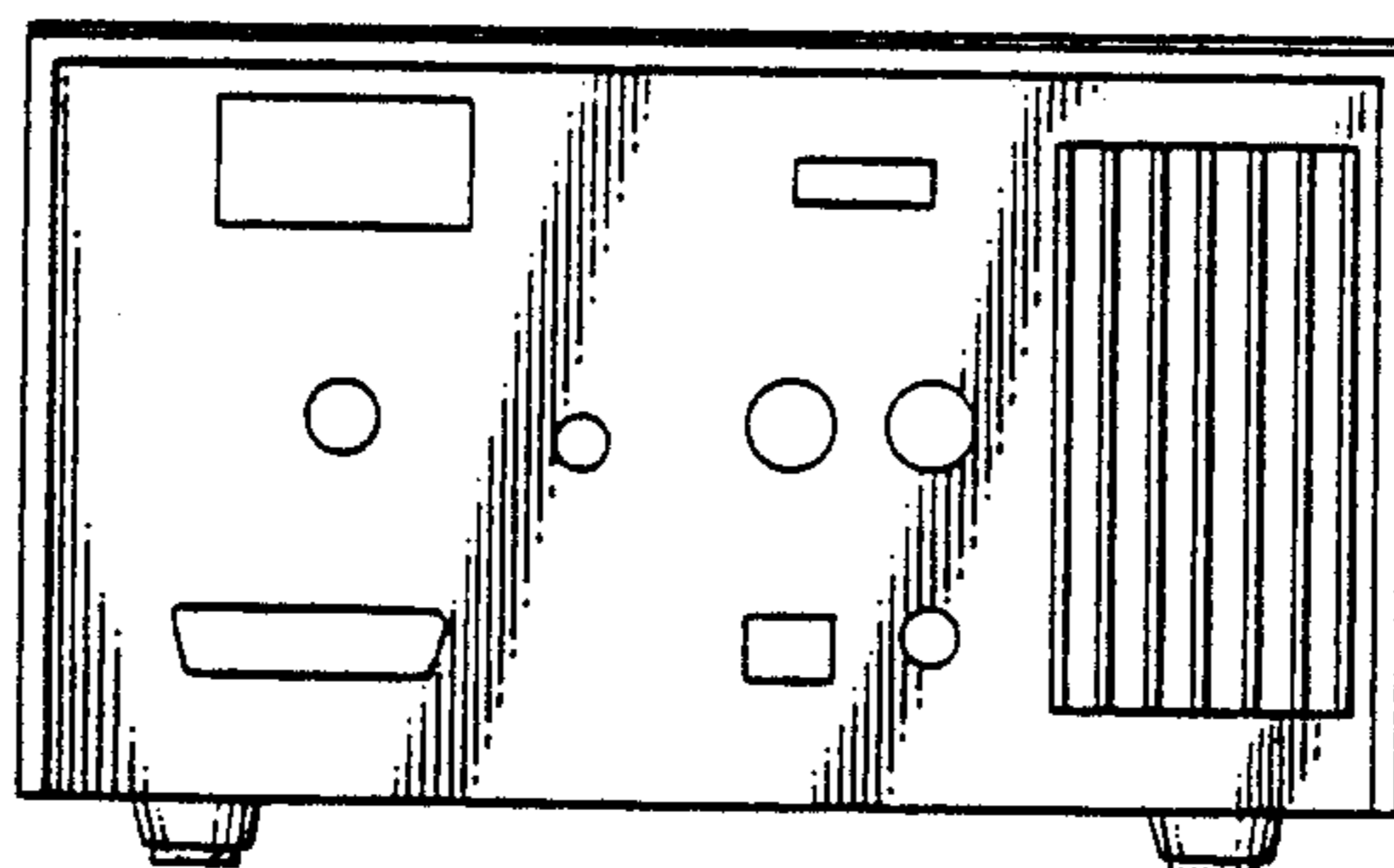


FIG. 3

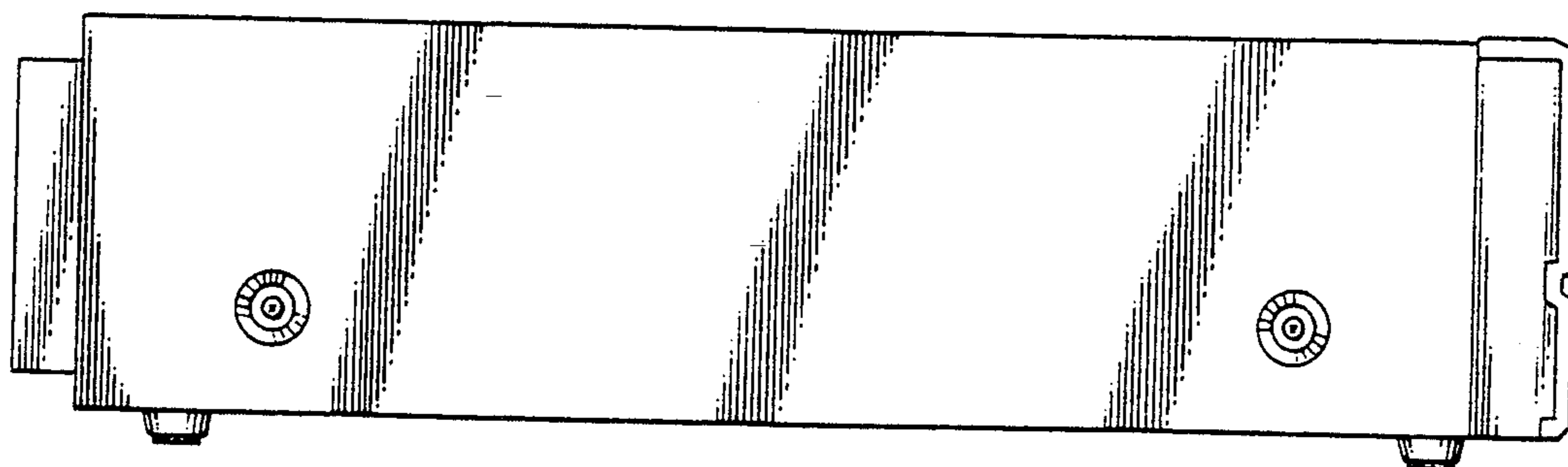


FIG. 4

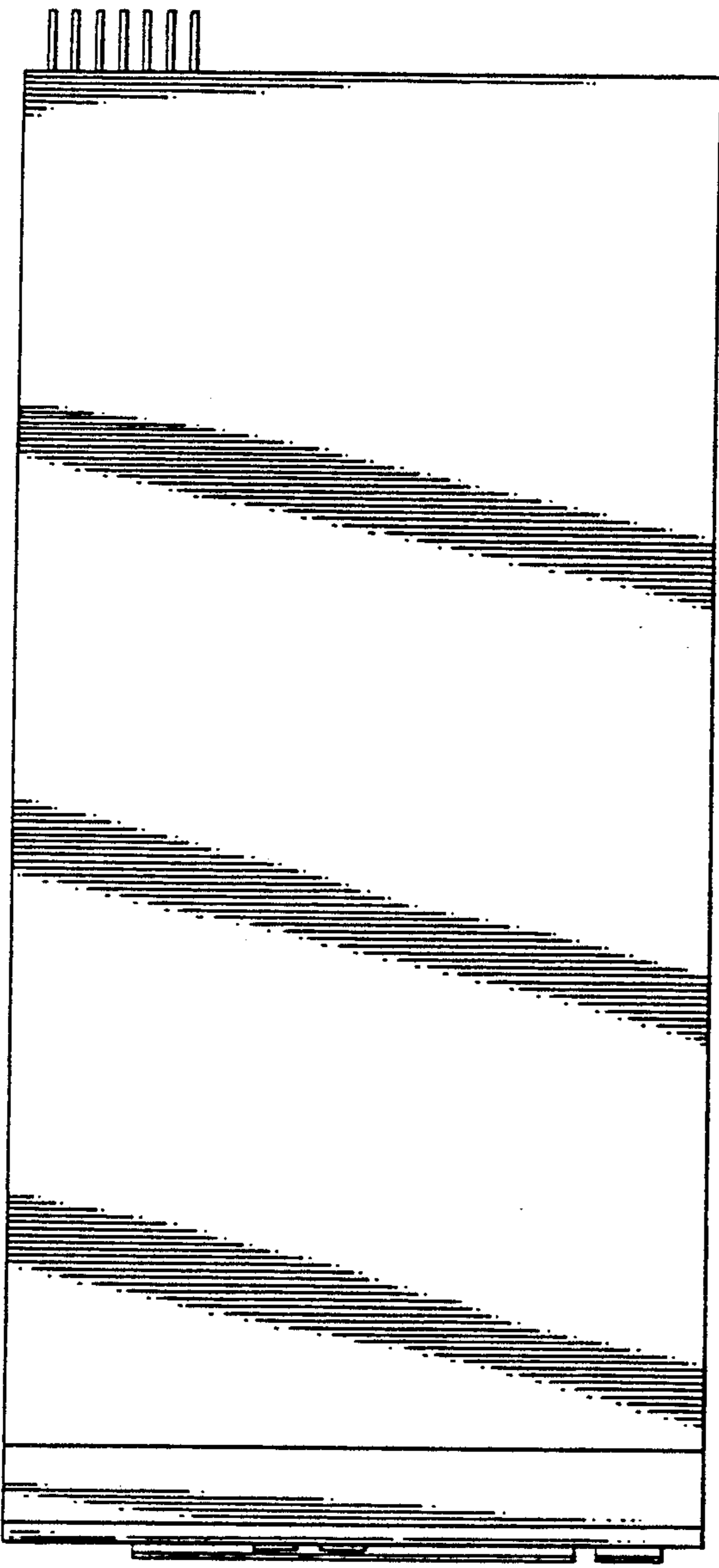
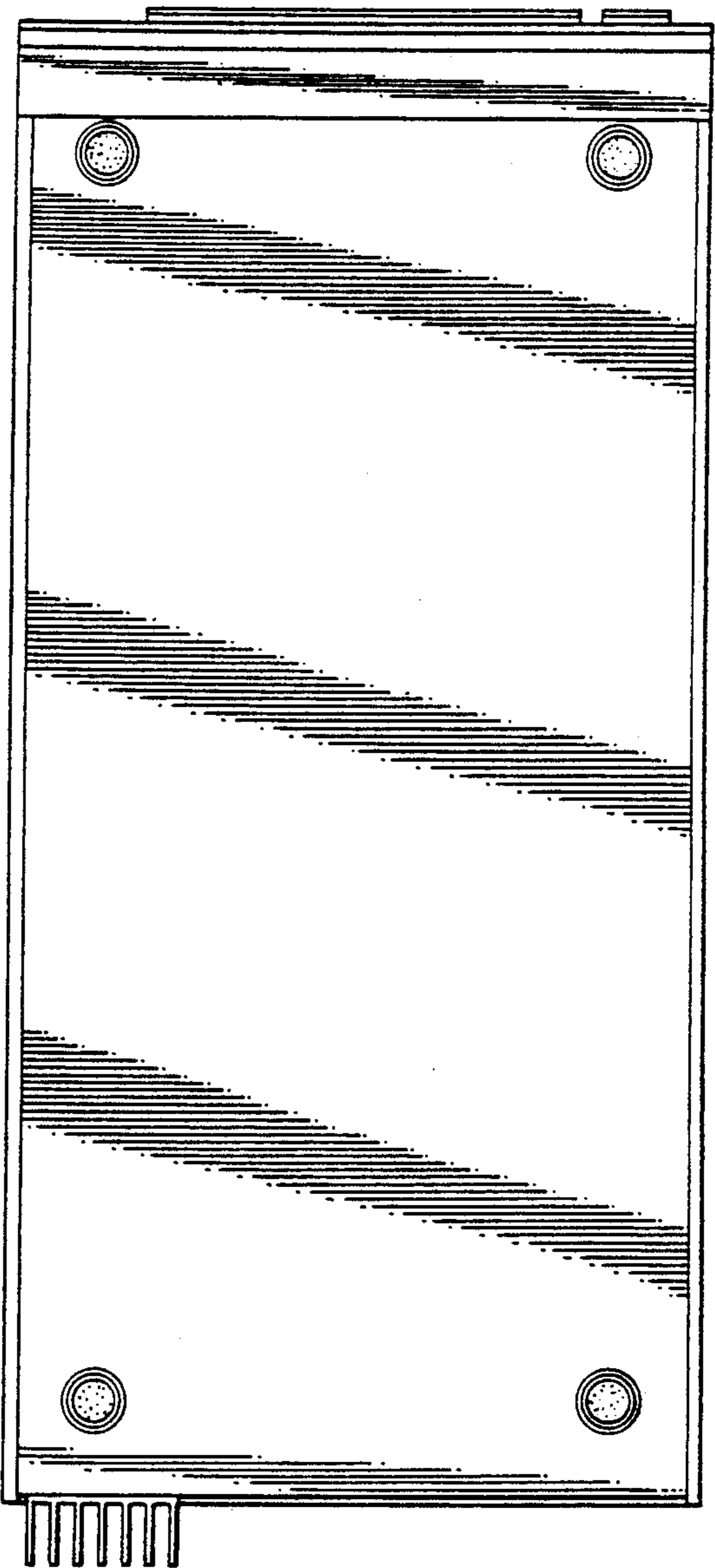


FIG. 5



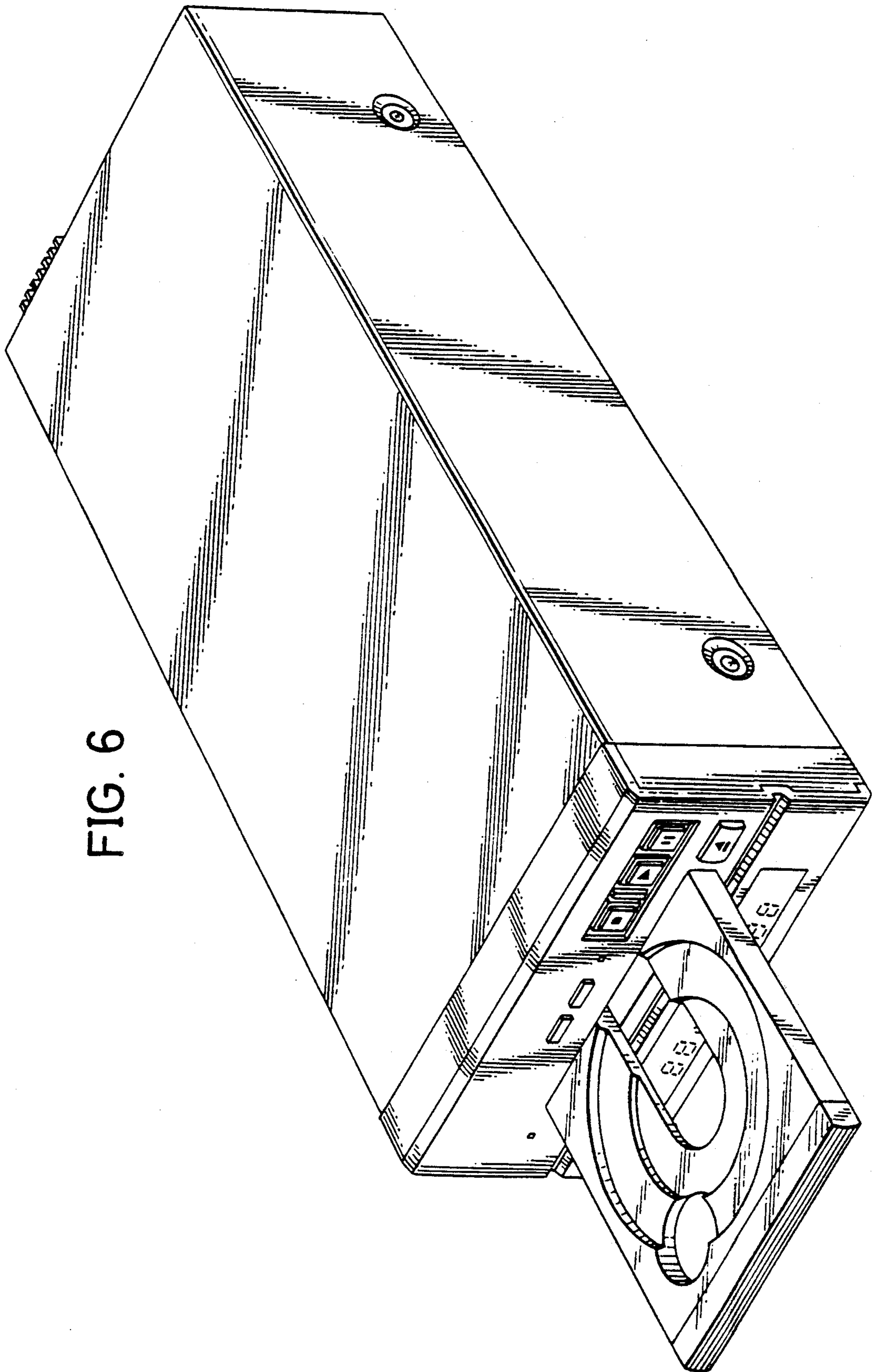


FIG. 6