

[54] WEB MEDIA DISPENSER

[75] Inventors: Jerry T. Losasso, Englewood;
Herbert F. Sanford, Littleton, both of
Colo.

[73] Assignee: Honeywell Inc., Minneapolis, Minn.

[**] Term: 14 Years

[21] Appl. No.: 410,383

[22] Filed: Sep. 20, 1989

[52] U.S. Cl. D14/121; D18/44

[58] Field of Search D6/518, 522, 523;
D9/418, 420; D14/121; D18/44; 101/288;
221/186; 242/58, 180; 346/110 R, 134, 136;
355/207, 271, 308, 309, 321

[56] References Cited

U.S. PATENT DOCUMENTS

D. 201,298 6/1965 Bahnsen D6/522
D. 211,134 5/1968 Robbins et al. D14/121

D. 227,263 6/1973 Allison et al. D14/121
D. 271,000 10/1983 Rimer D9/420
D. 272,633 3/1984 Raymond D14/121
D. 284,654 7/1986 Sandell et al. D14/121
4,912,510 3/1990 Ogura et al. 242/58 X

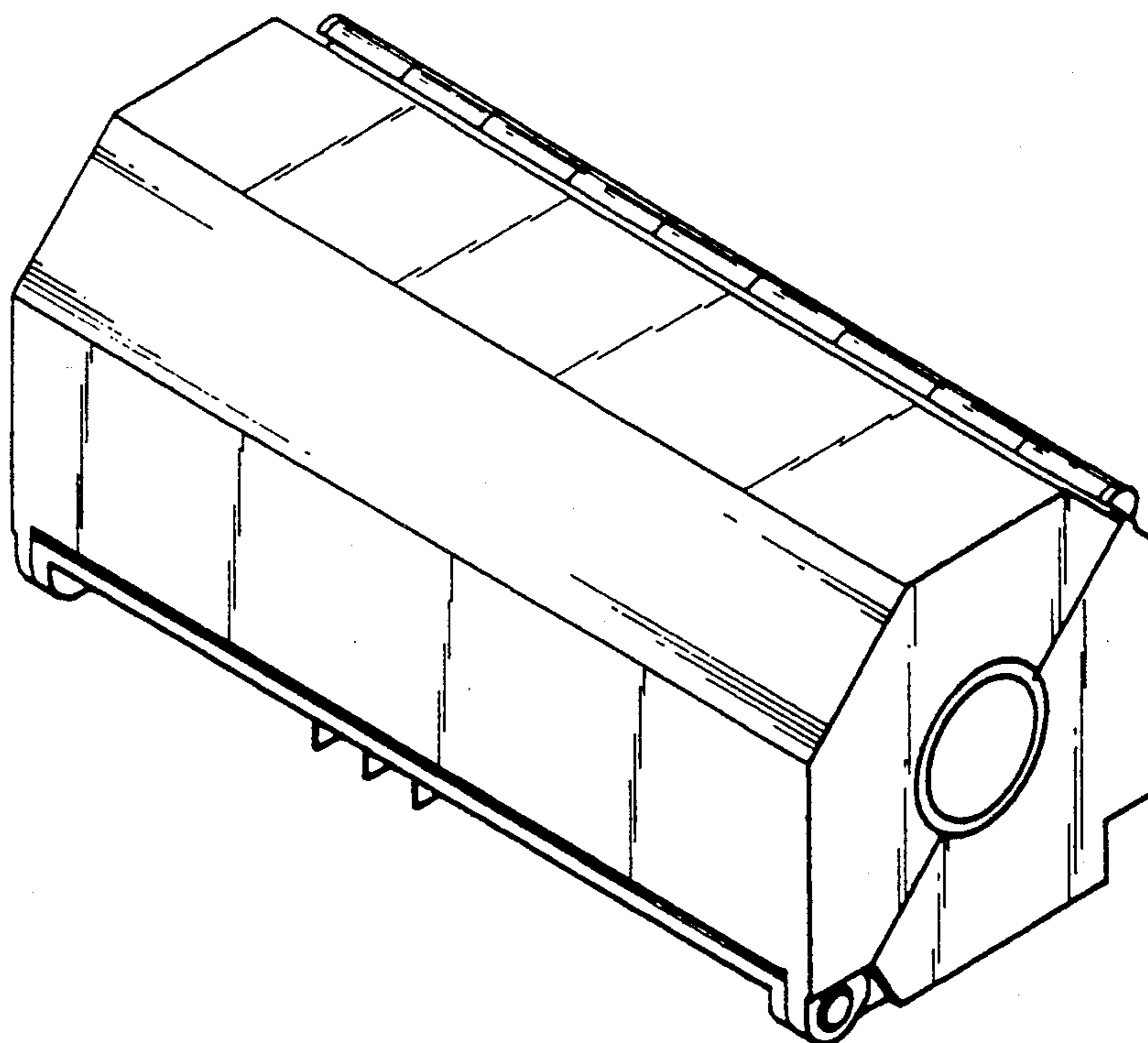
Primary Examiner—Nelson C. Holtje
Assistant Examiner—Caron D. Veynar
Attorney, Agent, or Firm—Charles L. Rubow; William
T. Udseth

[57] CLAIM

The ornamental design for a web media dispenser, as
shown and described.

DESCRIPTION

FIG. 1 is a right, front and top perspective view of a
web media dispenser showing our new design;
FIG. 2 is a left side elevational view;
FIG. 3 is a front elevational view;
FIG. 4 is a top plan view;
FIG. 5 is a bottom plan view; and
FIG. 6 is a rear elevational view.



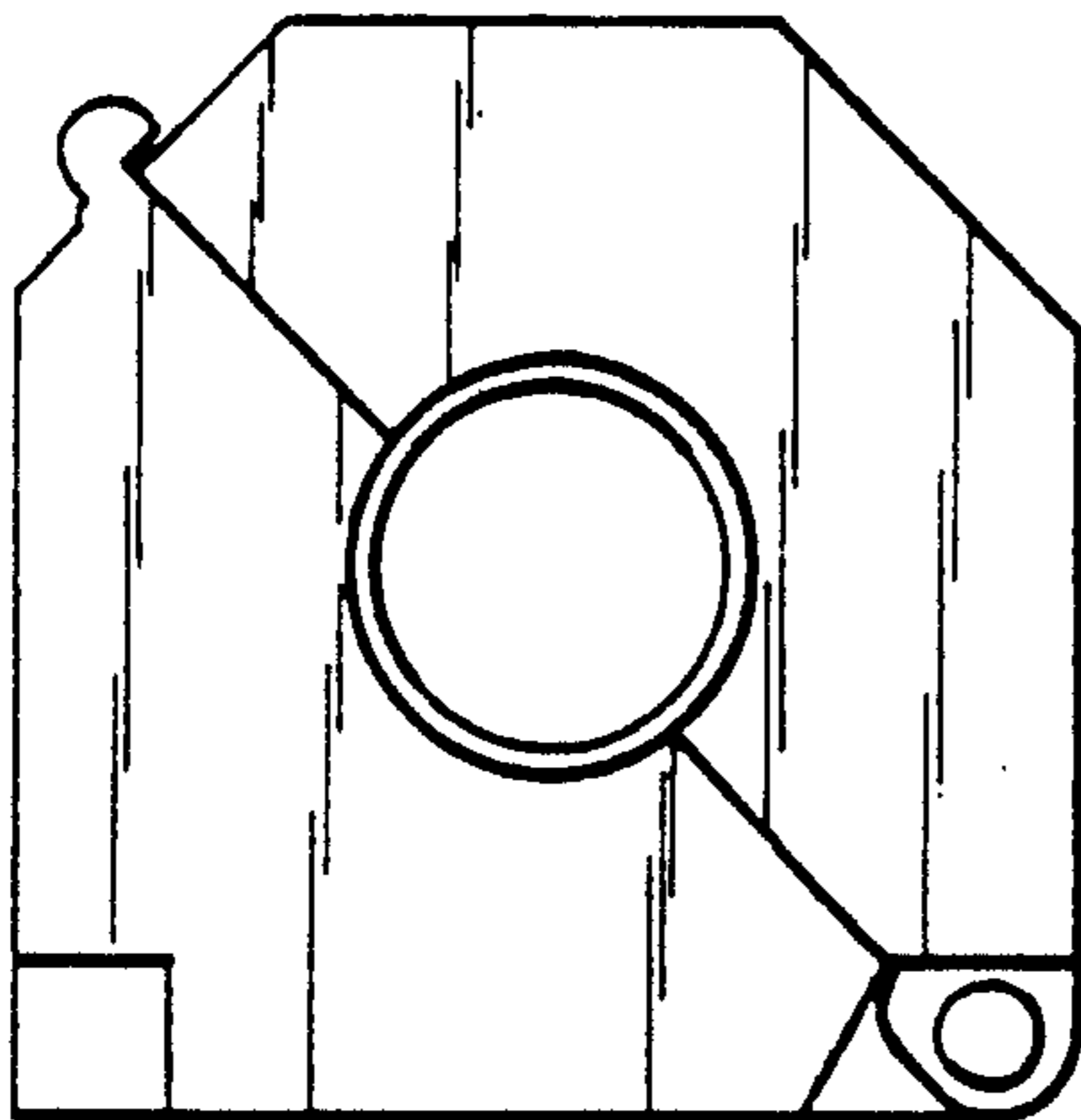
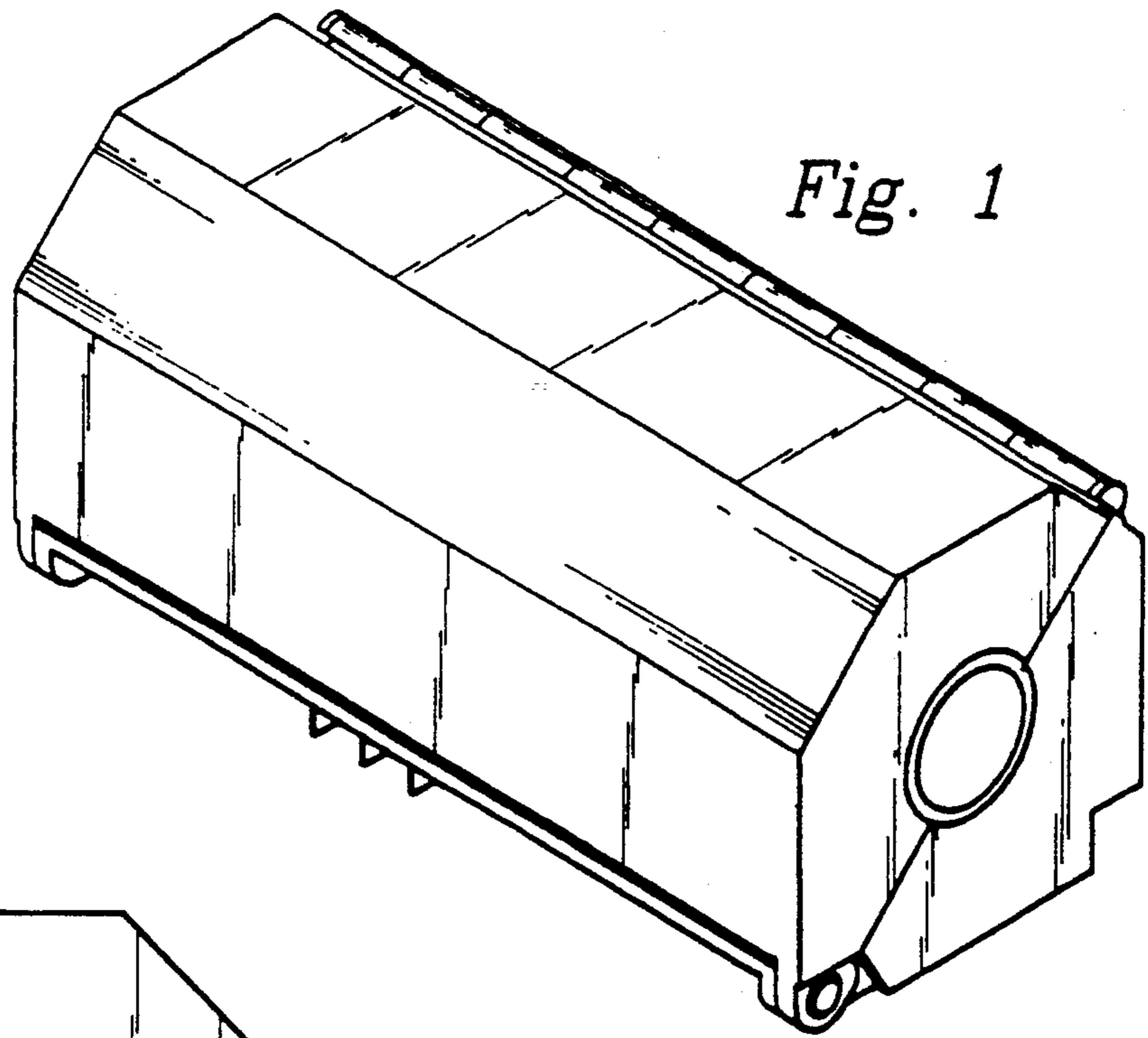


Fig. 2

Fig. 3

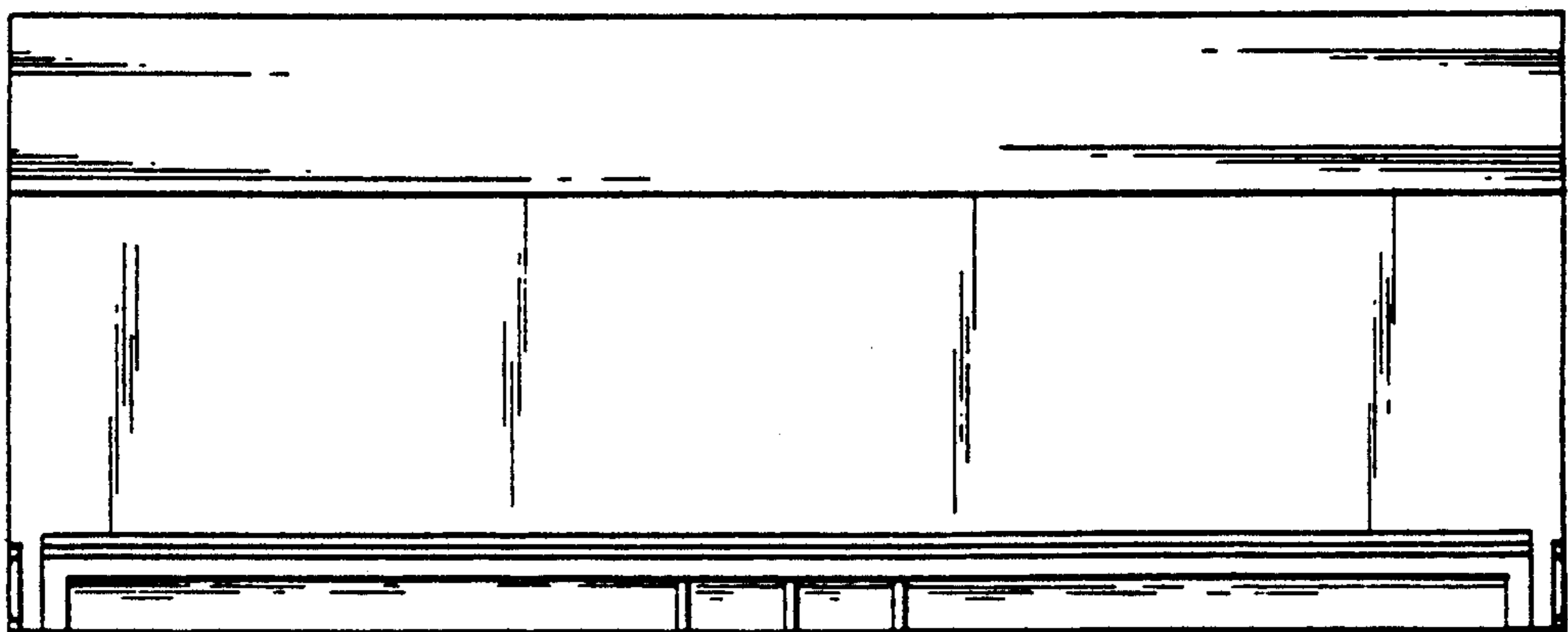


Fig. 4

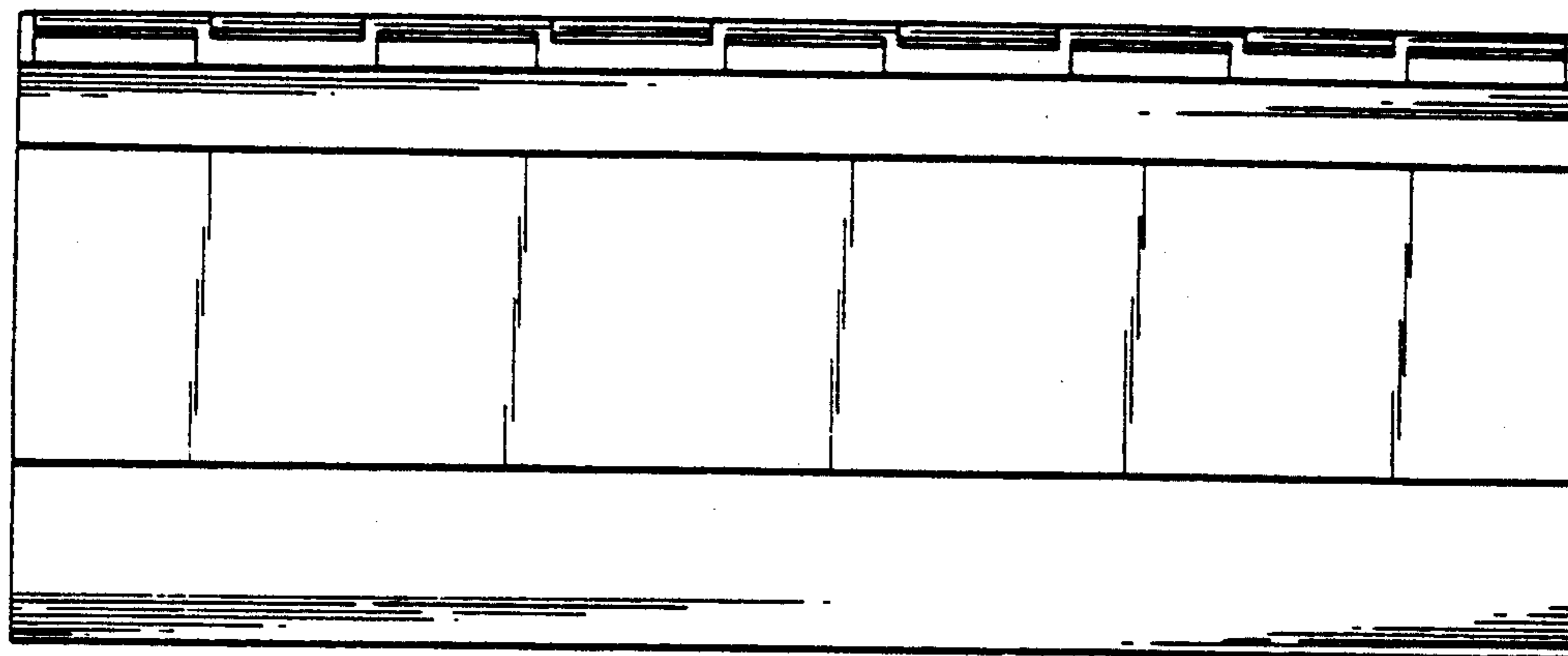


Fig. 5

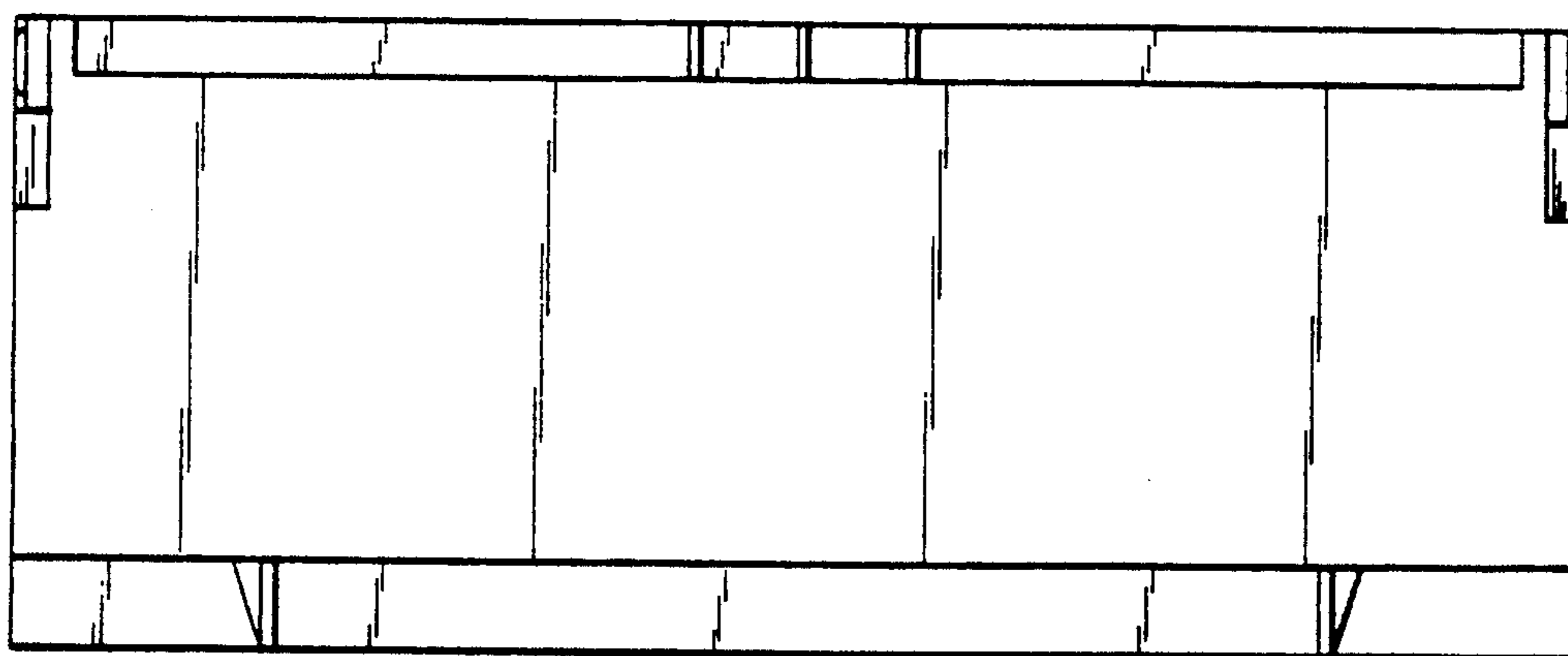


Fig. 6

