

[54] **PIVOTABLE DISPLAY MONITOR**

[75] **Inventor: Terrell Oyama, Los Altos, Calif.**

[73] **Assignee: Radius, Inc., San Jose, Calif.**

[**] **Term: 14 Years**

[21] **Appl. No.: 444,373**

[22] **Filed: Dec. 1, 1989**

[52] **U.S. Cl. D14/113**

[58] **Field of Search D14/100, 101, 106, 113,
D14/115, 124-126; D18/1, 4, 12; 340/700, 706,
711, 712; 341/22, 23, 26; 358/248, 249,
252-255, 64; 364/706-710.14; 312/208;
248/917-923, 441.1, 442.2, 447.2, 346, 349, 371,
664**

[56] **References Cited**

U.S. PATENT DOCUMENTS

- D. 285,935 9/1986 Aihara et al. D14/113 X
- D. 286,155 10/1986 Gundogan D14/113
- D. 286,641 11/1986 Gundogan D14/113
- D. 314,376 2/1991 Shibuya et al. D14/113

FOREIGN PATENT DOCUMENTS

3231019 3/1984 European Pat. Off. 358/255

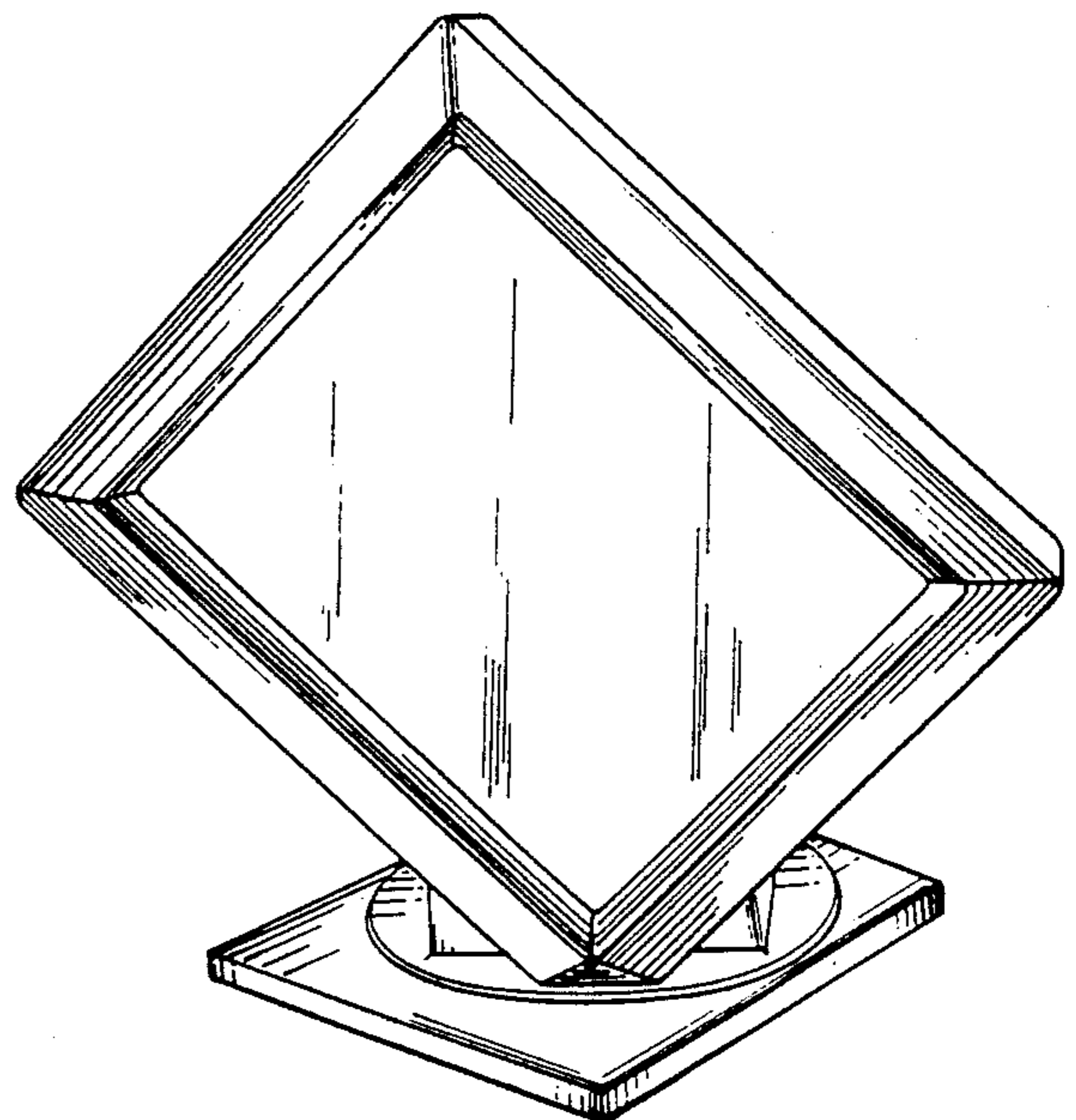
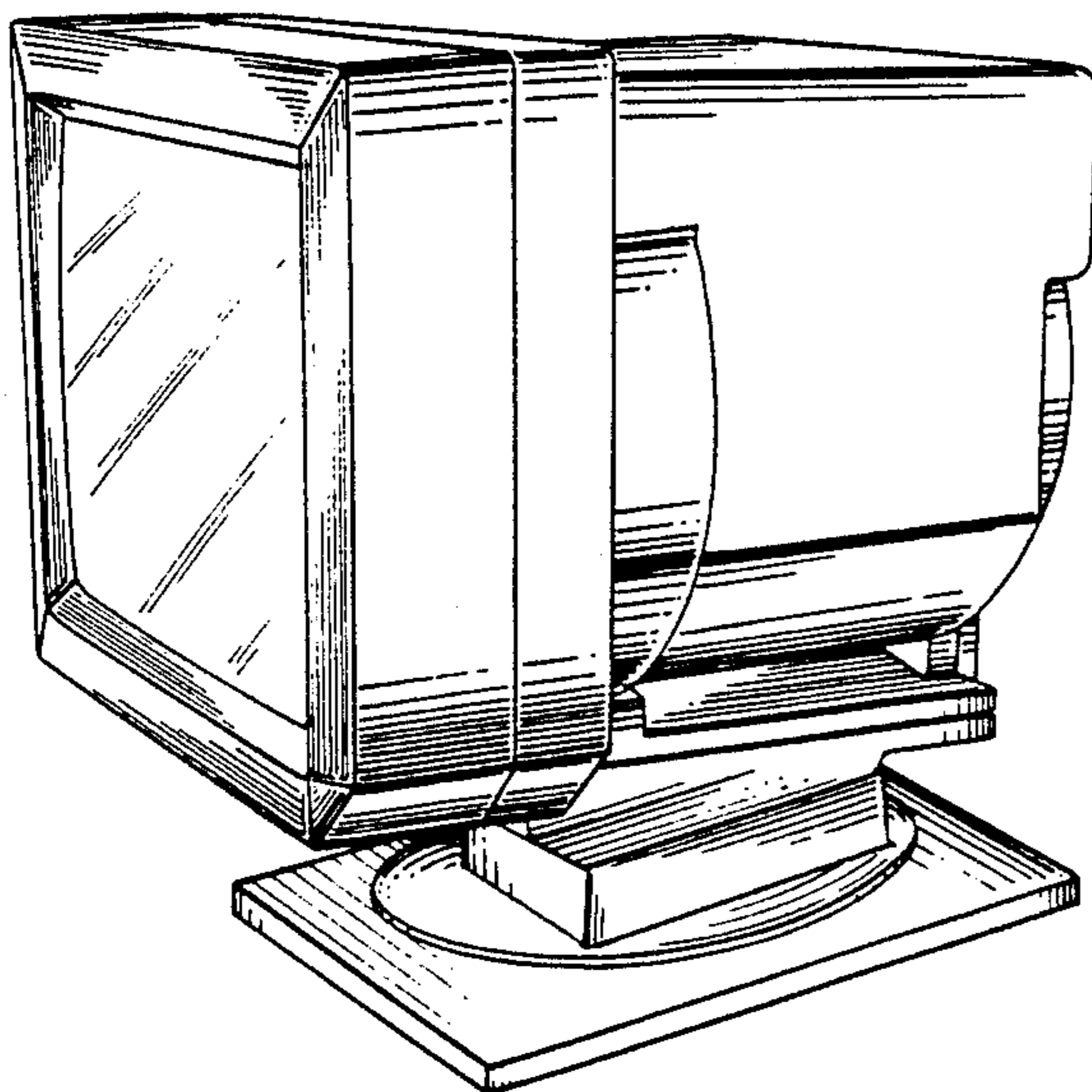
Primary Examiner—Wallace R. Burke
Assistant Examiner—Freda S. Nunn
Attorney, Agent, or Firm—Stuart P. Meyer

[57] **CLAIM**

The ornamental design for a pivotable display monitor, as described and shown.

DESCRIPTION

FIG. 1 is a front side perspective view of a pivotable display monitor showing my new design;
FIG. 2 is a rear side perspective view thereof;
FIG. 3 is a side perspective view thereof;
FIG. 4 is an opposite side perspective view thereof;
FIG. 5 is a rear perspective view thereof;
FIG. 6 is a front perspective view thereof;
FIG. 7 is a front perspective view thereof with the display housing shown in an alternate position;
FIG. 8 is a front perspective view thereof with the display housing shown in an alternate position;
FIG. 9 is a top rear perspective view thereof as shown in FIG. 8;
FIG. 10 is a side perspective view thereof as shown in FIG. 1.



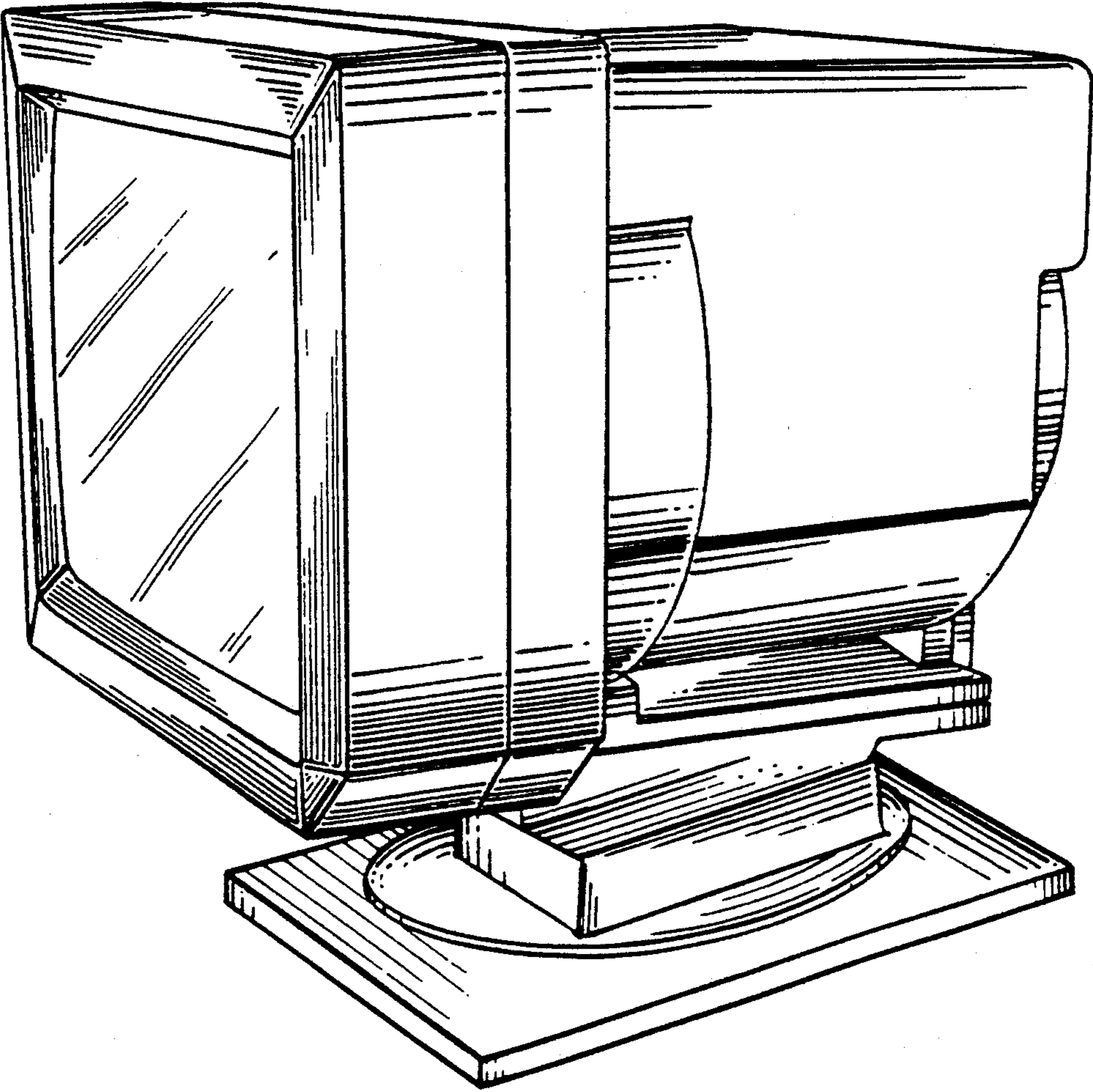


Figure 1

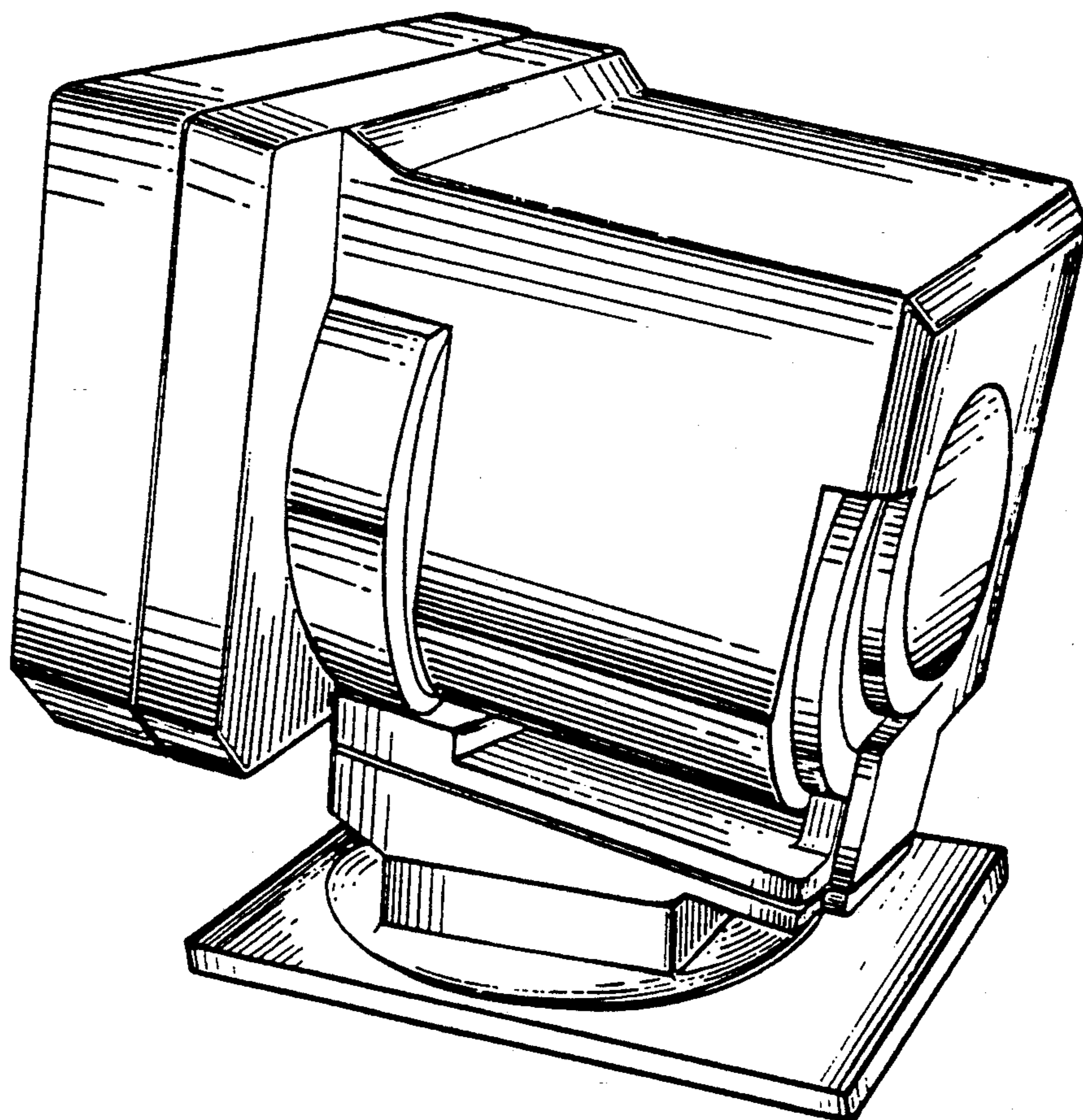


Figure 2

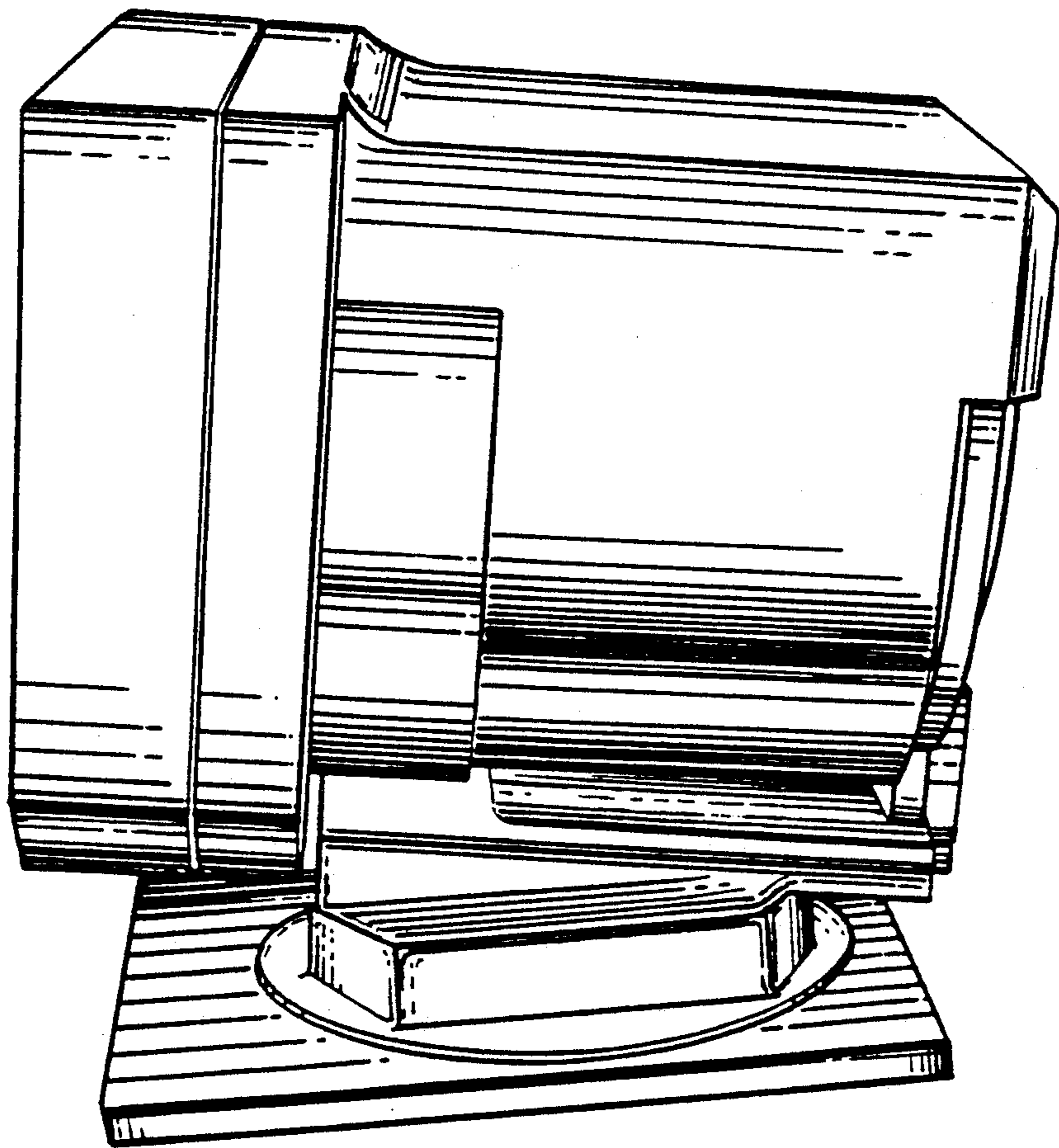


Figure 3

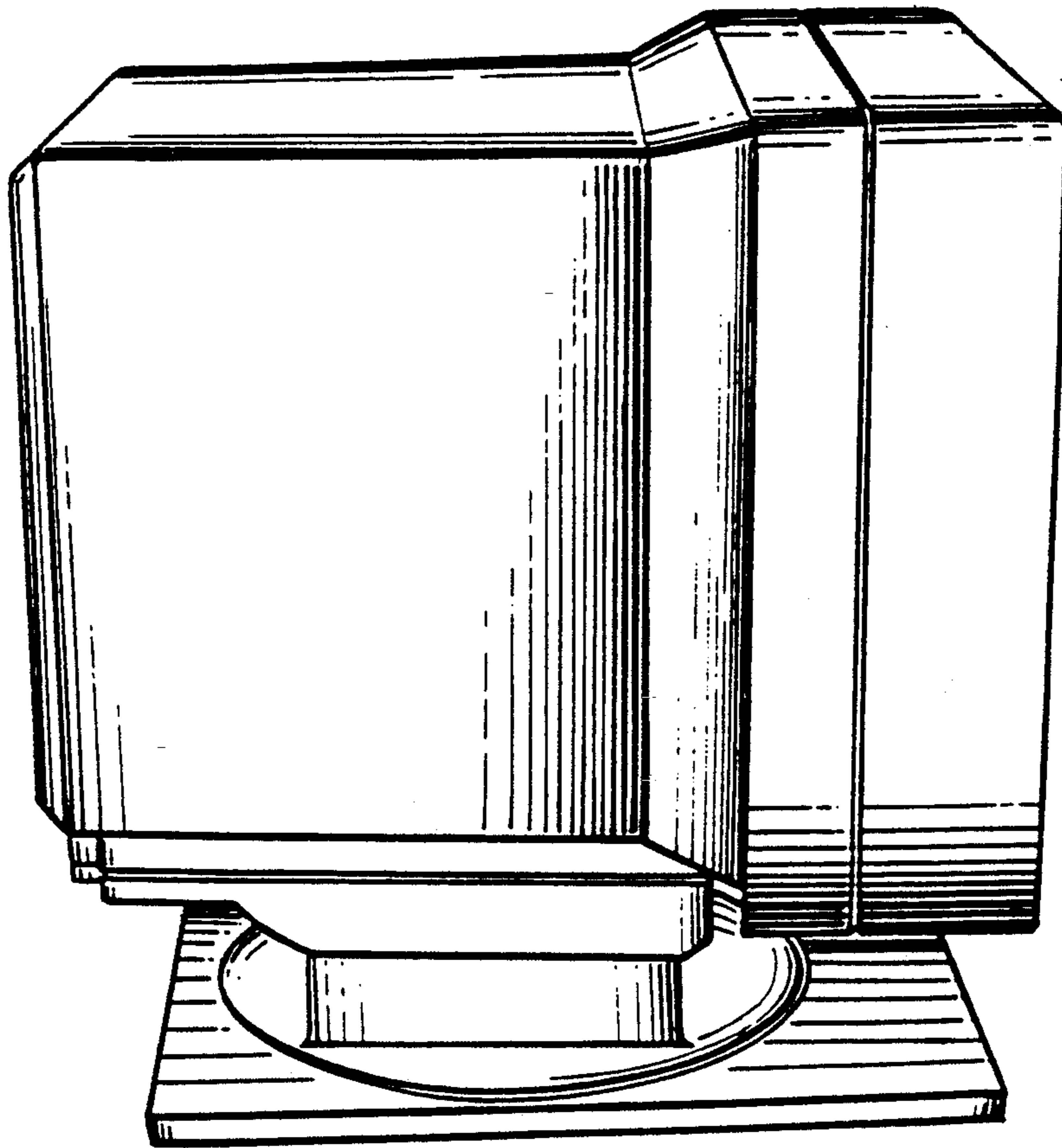


Figure 4

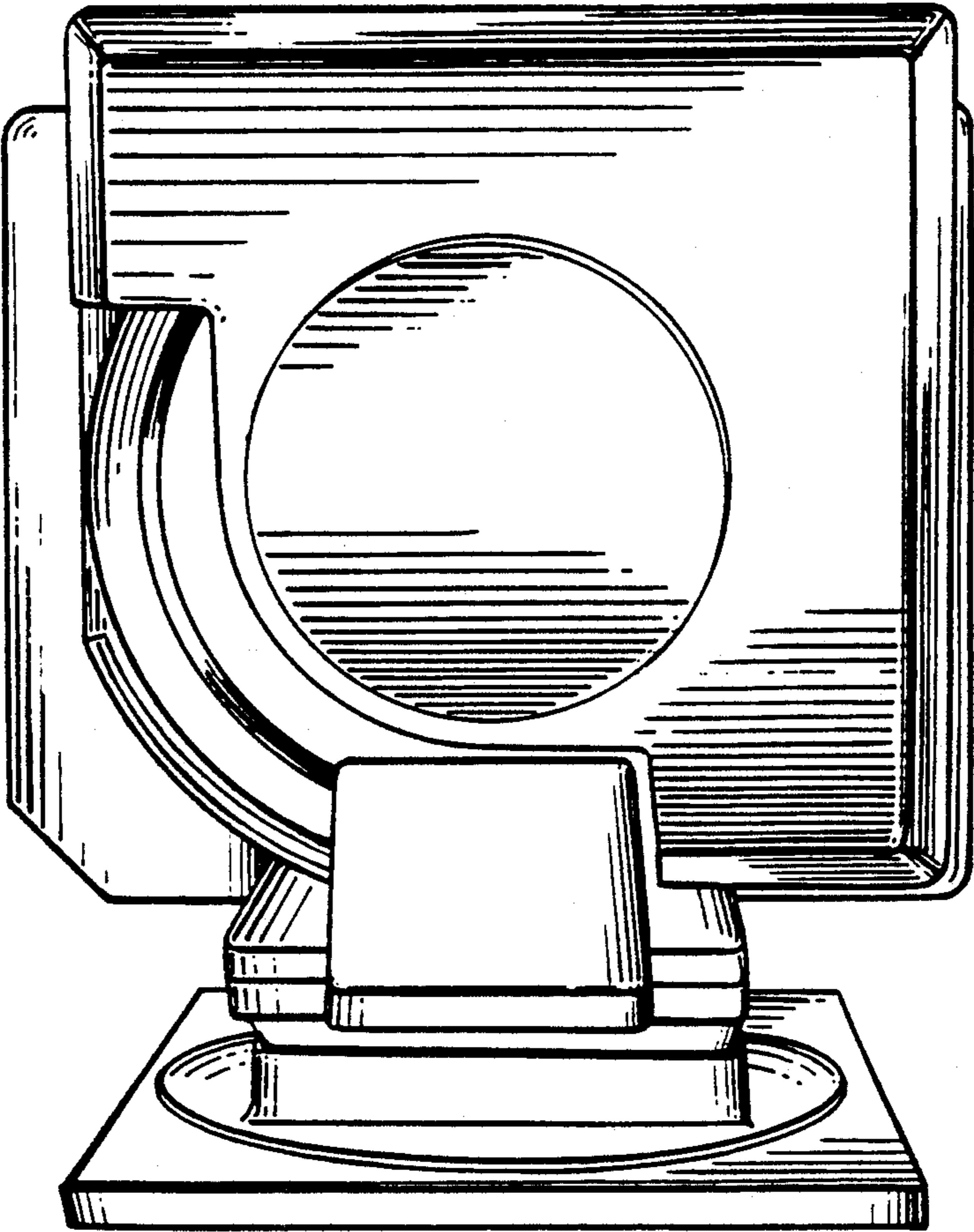


Figure 5

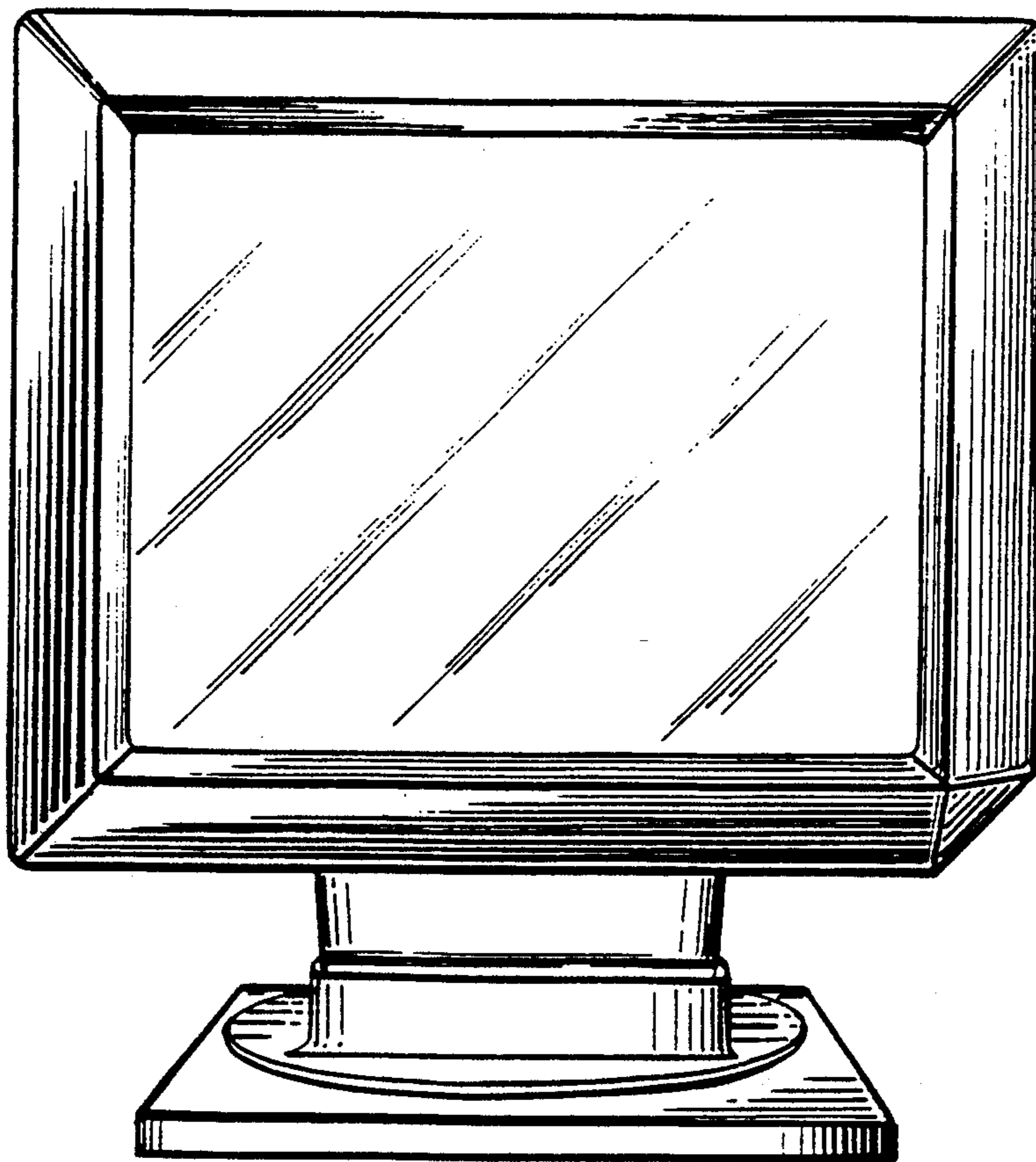


Figure 6

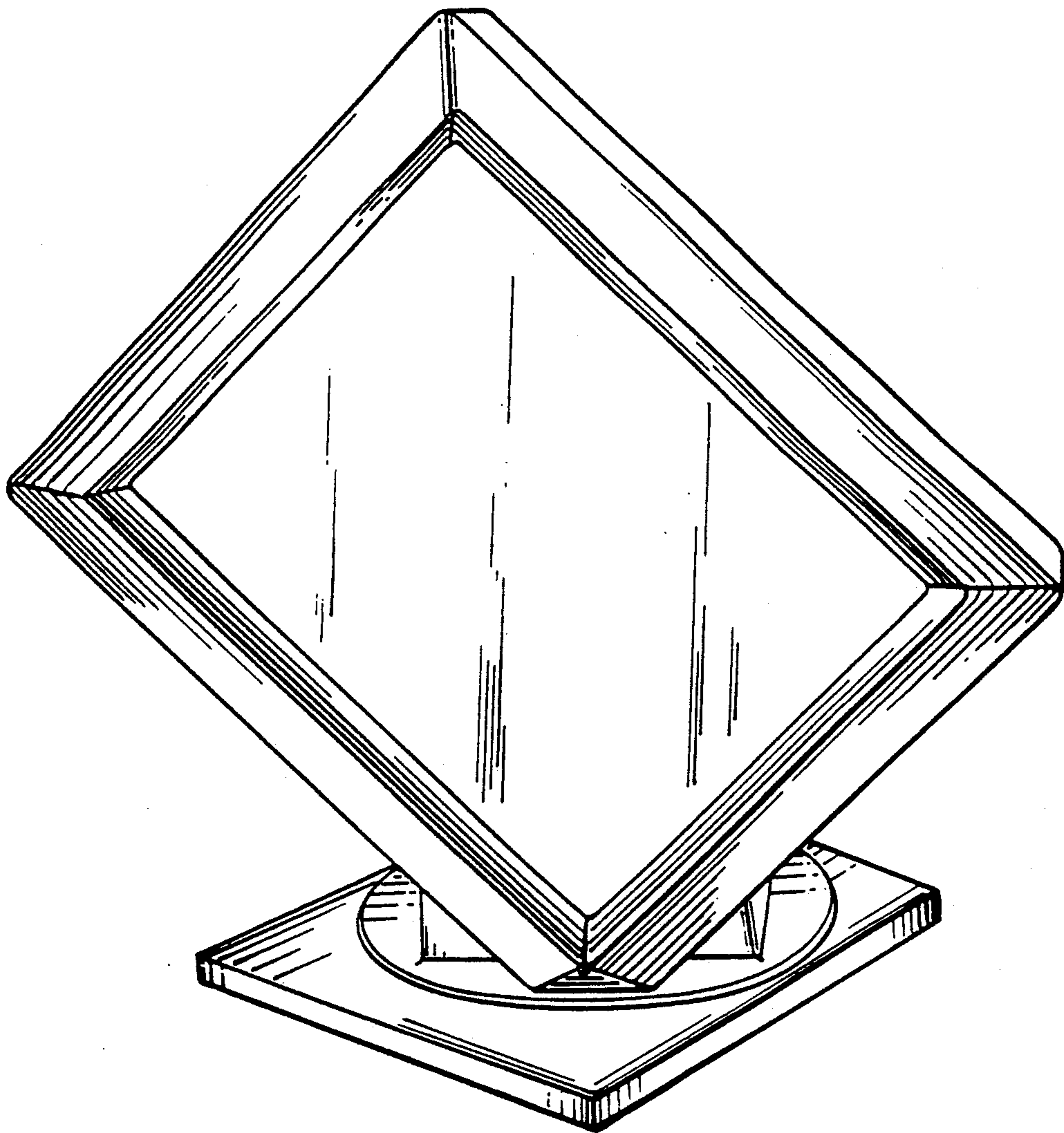


Figure 7

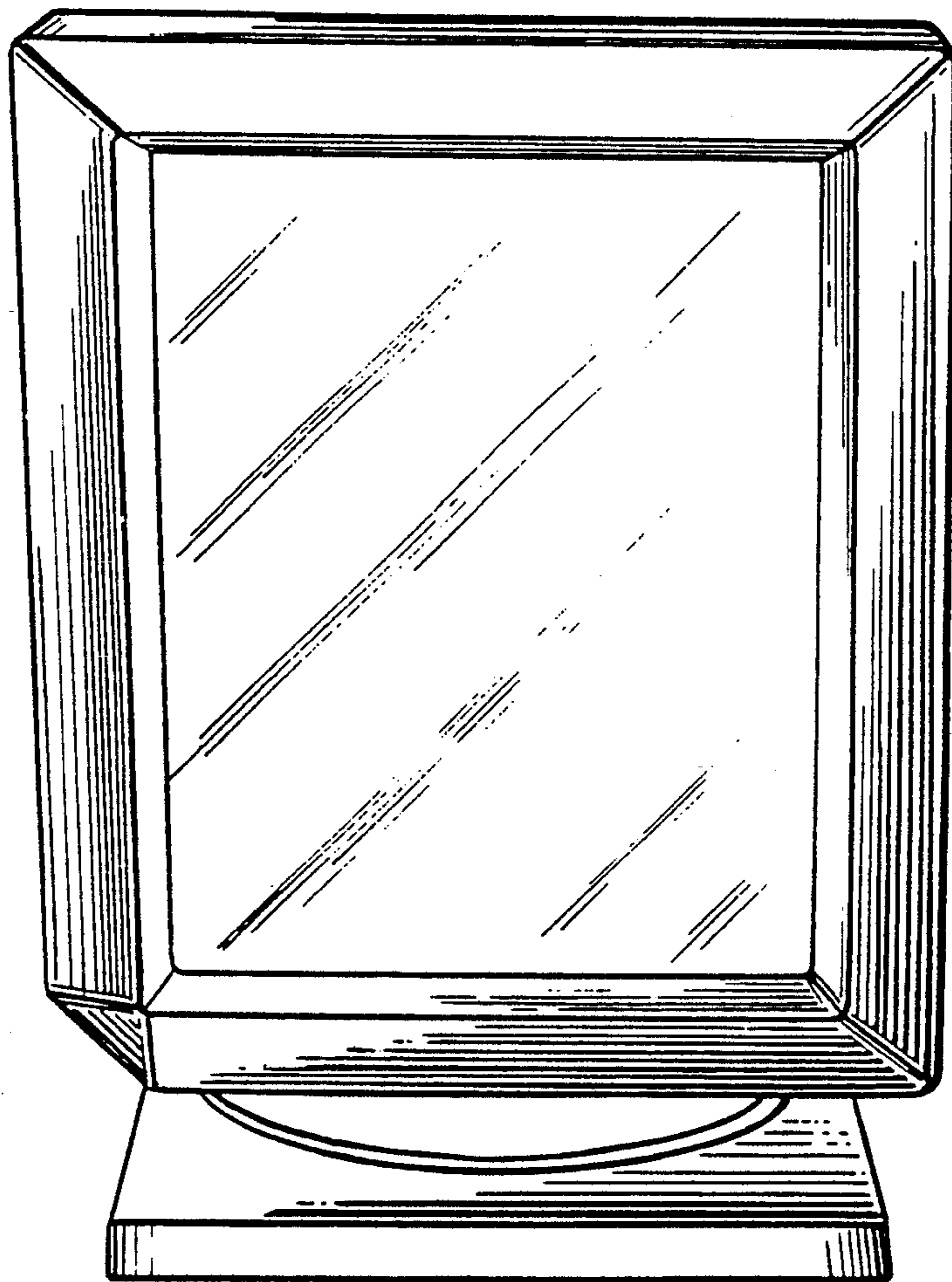


Figure 8

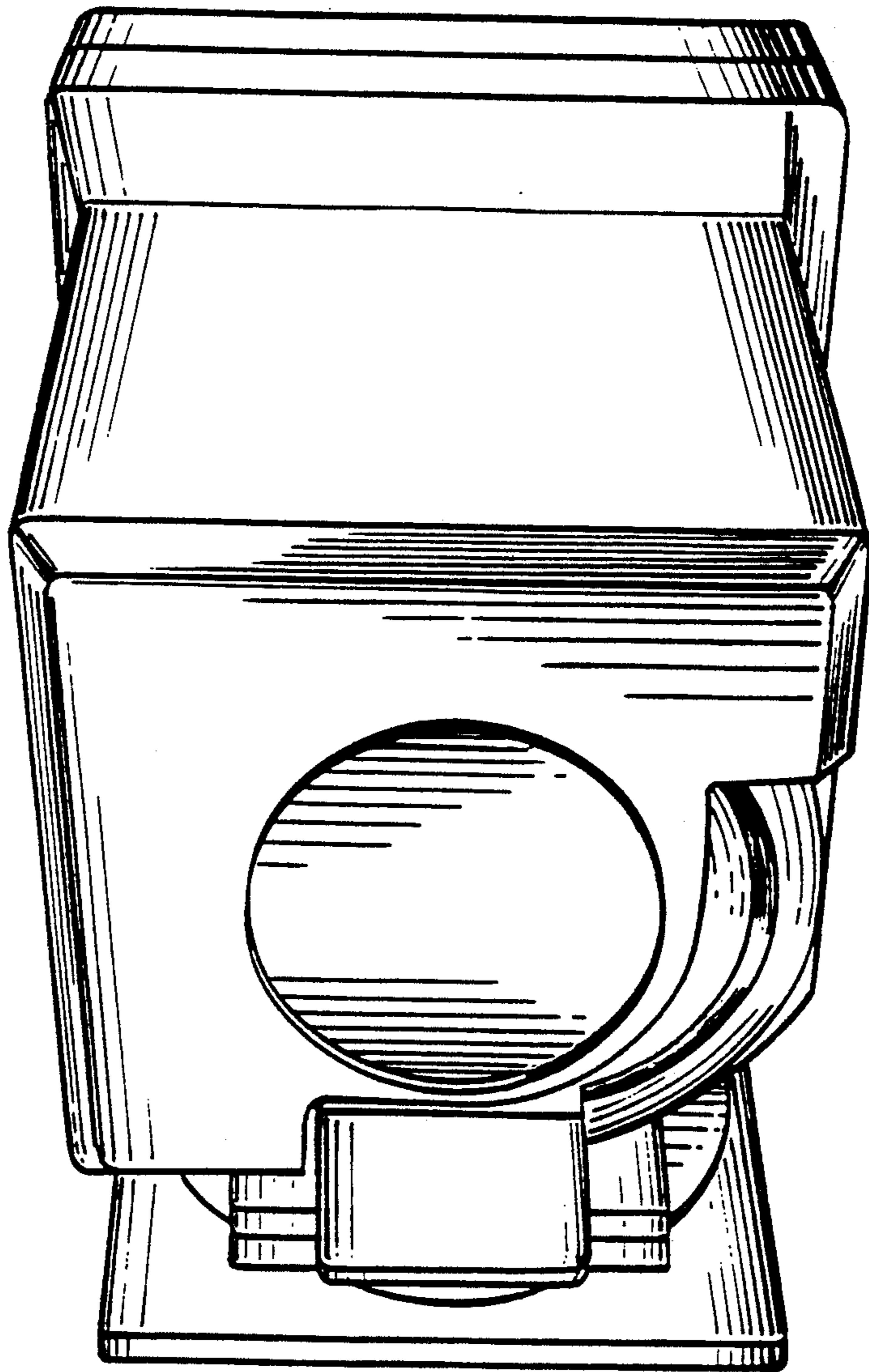


Figure 9

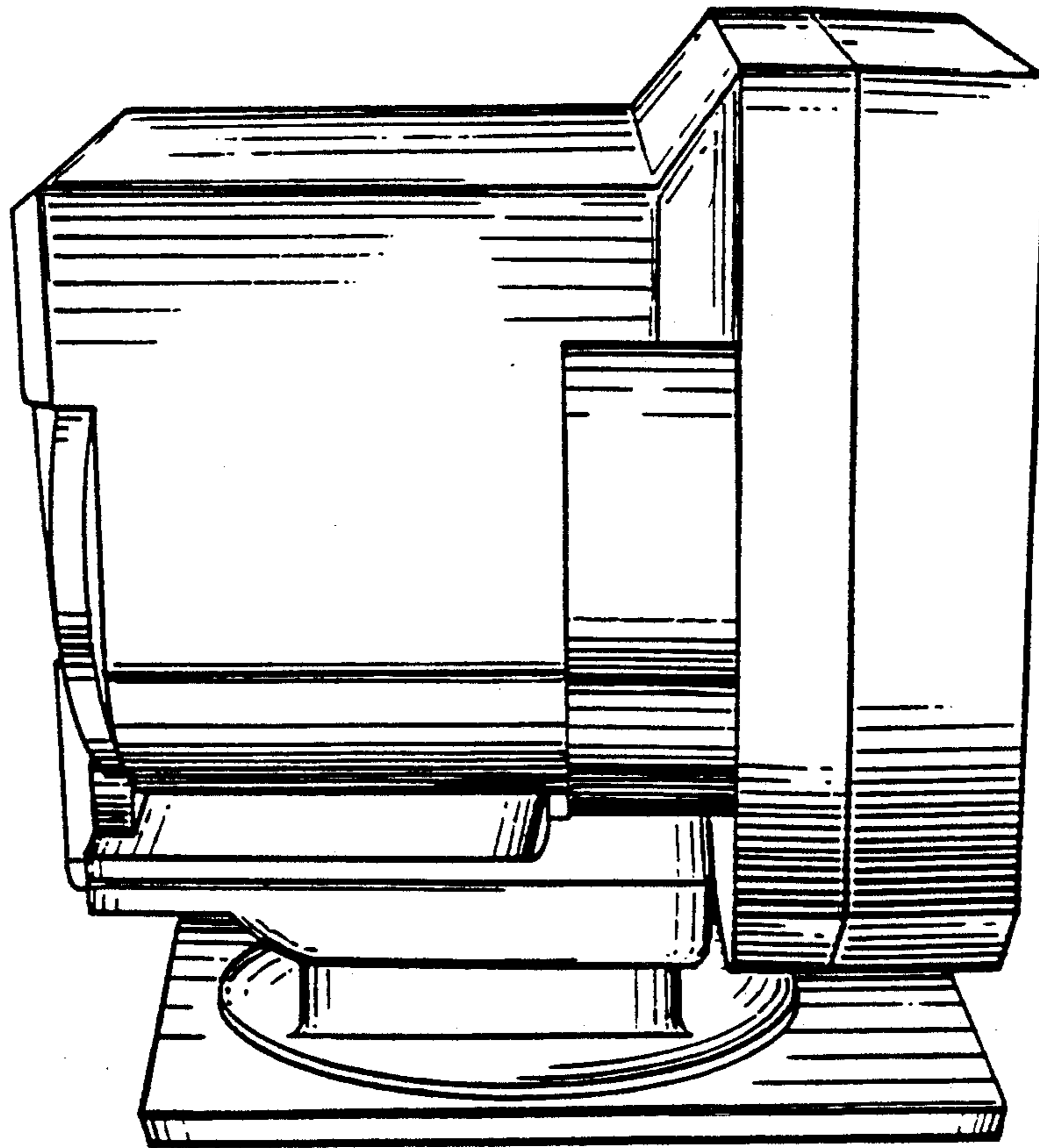


Figure 10