

[54] ELECTRONIC INSTRUMENT FOR READING AND DISPLAYING FROM MAGNETIC AND OPTICAL RECORDING MEDIUMS SUCH AS FLOPPY DISKS OR THE LIKE

[75] Inventor: Haruki Tsuchiya, Chiba, Japan

[73] Assignees: Huika Sangyo Kabushiki Kaisha, Osaka; Kabushiki Kaisha System Gijyutsu Kenkyuusho, Tokyo, both of Japan

[\*\*] Term: 14 Years

[21] Appl. No.: 446,406

[22] Filed: Dec. 5, 1989

[30] Foreign Application Priority Data

Jun. 9, 1989 [JP] Japan ..... 1-21542

[52] U.S. Cl. .... D14/100; D19/60

[58] Field of Search ..... D14/100, 101, 105, 106, D14/113, 107, 114, 115; D18/1, 7; 235/145 A, 145 R; 340/700, 706, 711, 712; 341/22, 23, 26; 358/248, 249, 254; 364/706-710.14, 200, 900; 400/477, 479, 484-486; 369/56

[56] References Cited

U.S. PATENT DOCUMENTS

- D. 284,966 8/1986 Larkins ..... D14/100
D. 308,049 5/1990 Dennett ..... D14/100
D. 315,549 3/1991 Clough et al. .... D14/100

- 3,273,894 9/1966 Clawson ..... 369/56
4,855,725 8/1989 Fernandez ..... 340/706
4,918,632 4/1990 York ..... D14/113 X
4,927,986 5/1990 Daly ..... D14/113 X

FOREIGN PATENT DOCUMENTS

- 0073775 4/1985 Japan ..... 364/706
0167020 8/1985 Japan ..... 341/22

Primary Examiner—Wallace R. Burke
Assistant Examiner—Freda S. Nunn
Attorney, Agent, or Firm—Jones, Tullar & Cooper

[57] CLAIM

The ornamental design for an electronic instrument for reading and displaying from magnetic and optical recording mediums such as floppy disks or the like, as shown and described.

DESCRIPTION

FIG. 1 is a top, front, side perspective view of an electronic instrument for reading and displaying from magnetic and optical recording mediums such as floppy disks or the like showing my new design;
FIG. 2 is a bottom, rear, side perspective view thereof;
FIG. 3 is a front elevational view thereof;
FIG. 4 is a rear elevational view thereof;
FIG. 5 is a left side elevational view thereof;
FIG. 6 is a right side elevational view thereof;
FIG. 7 is a top plan view thereof;
FIG. 8 is a bottom plan view thereof;
FIG. 9 is a perspective view thereof in the closed position.

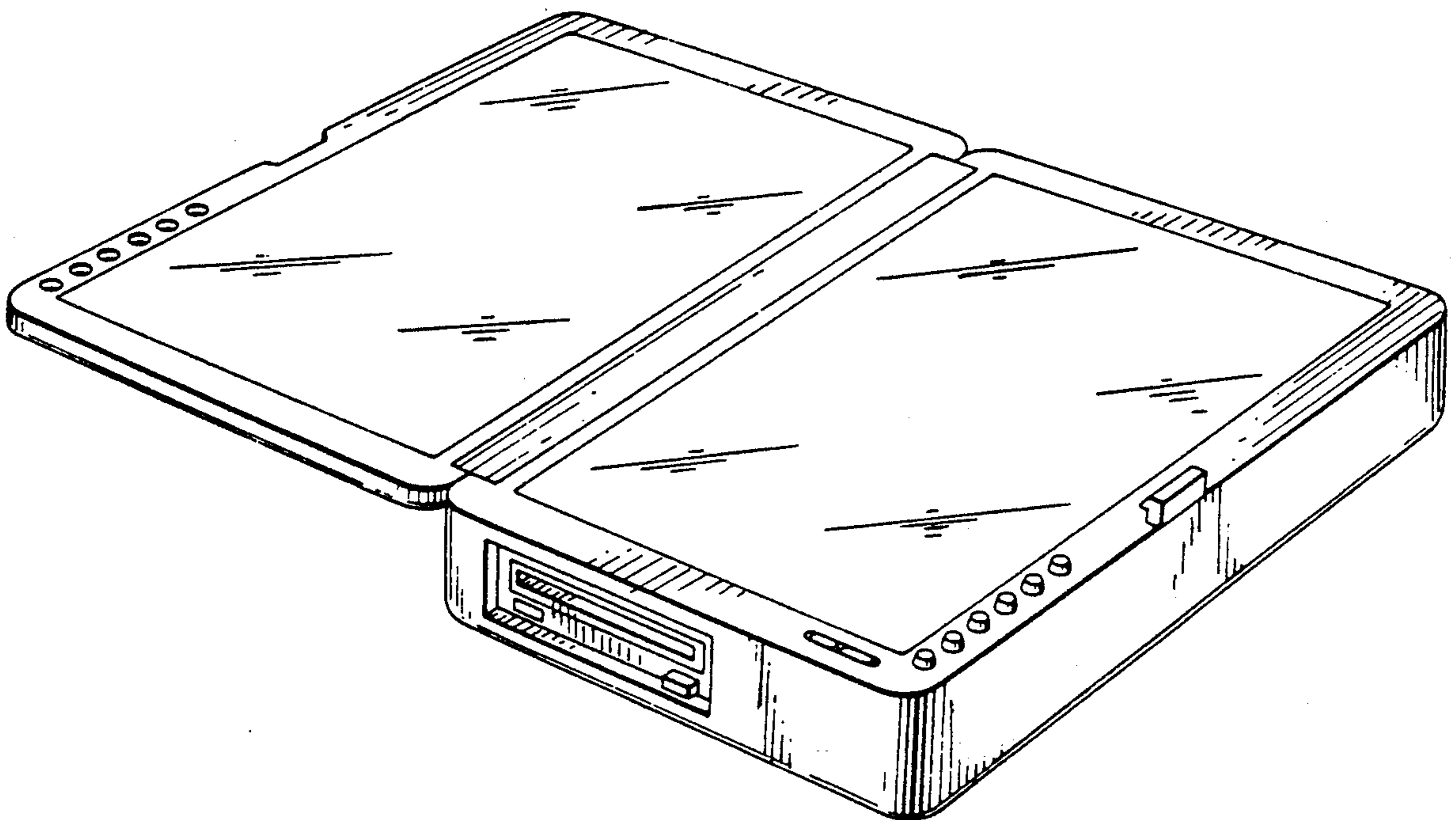


FIG. 1

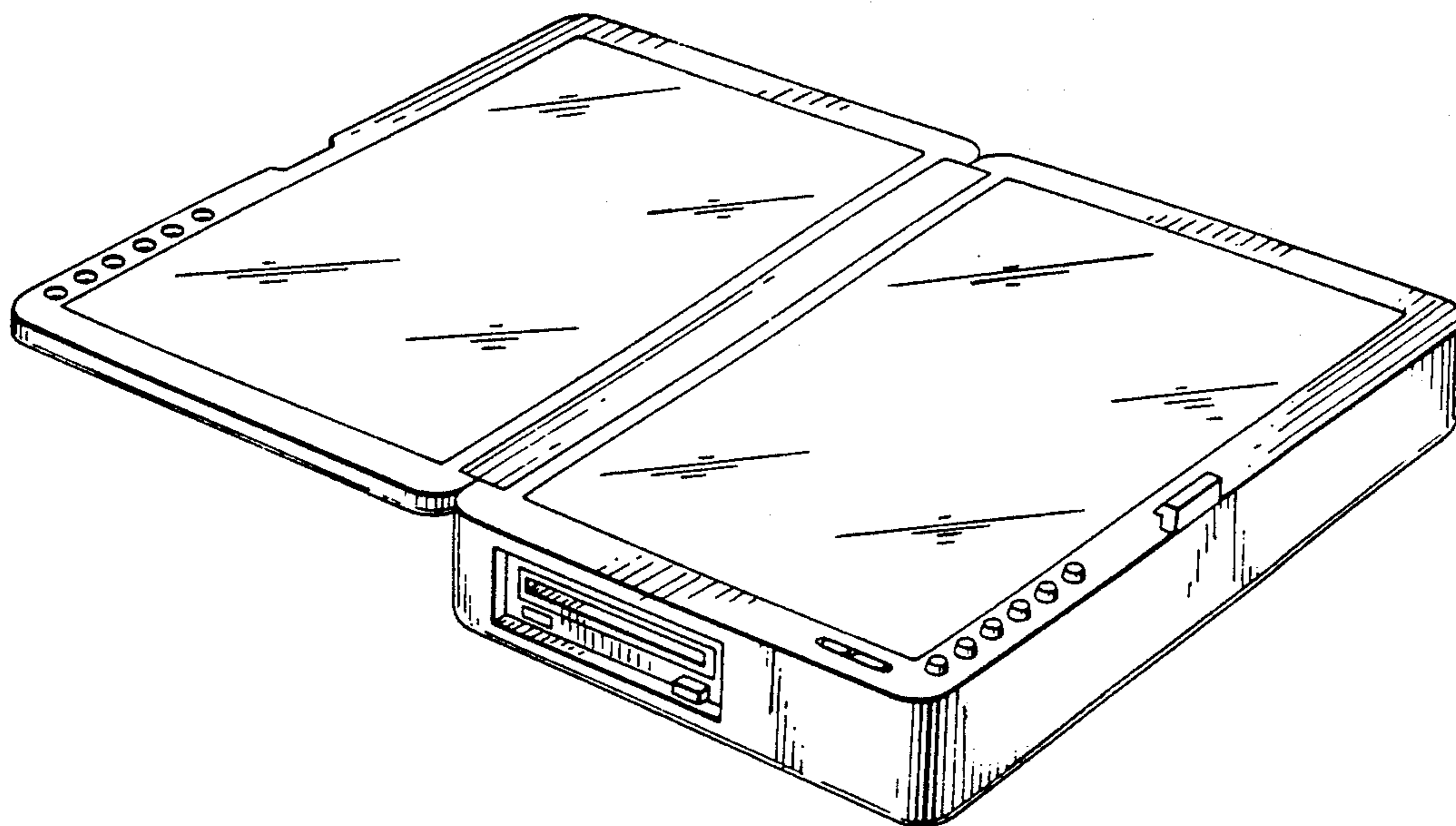


FIG. 2

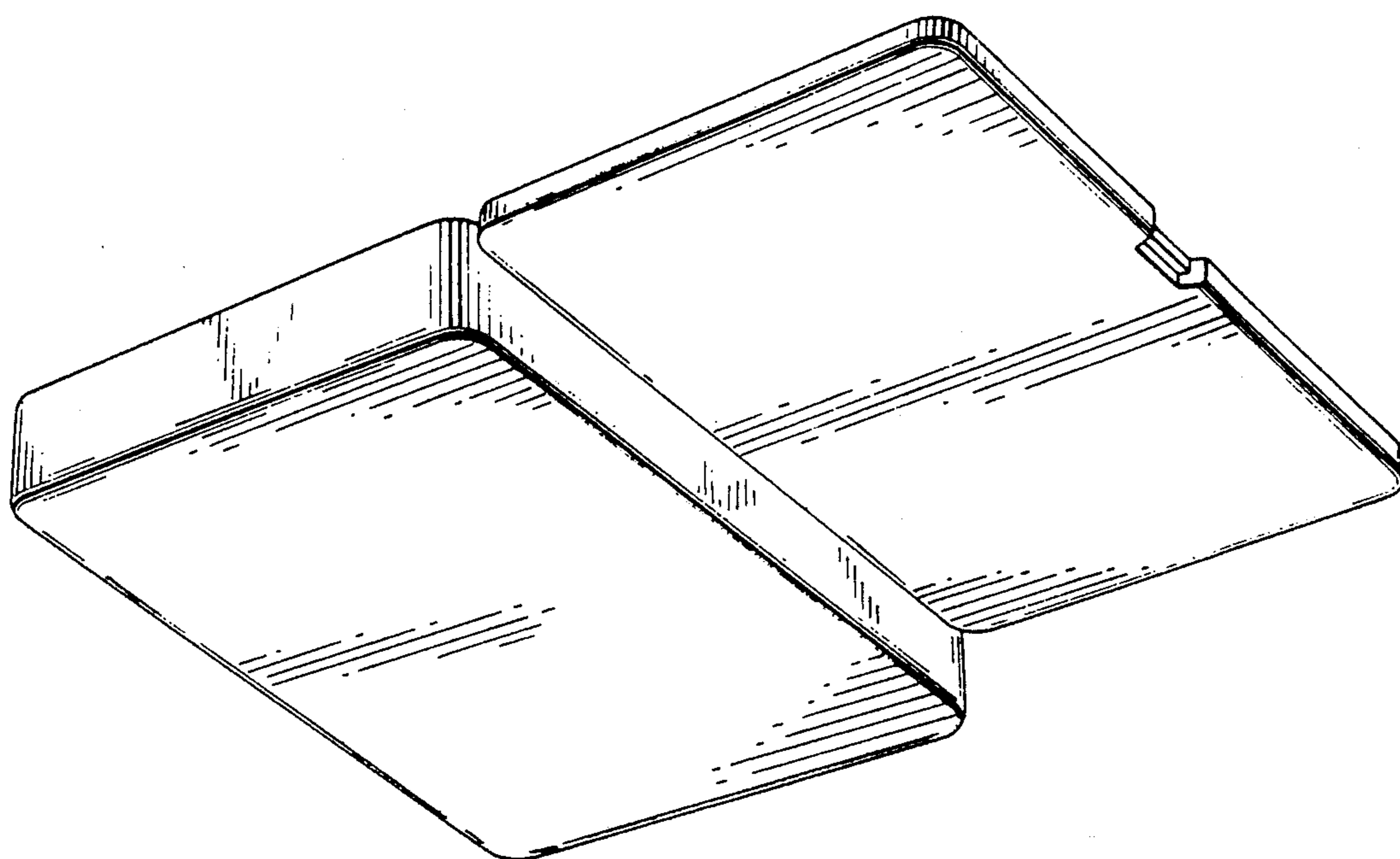


FIG. 3

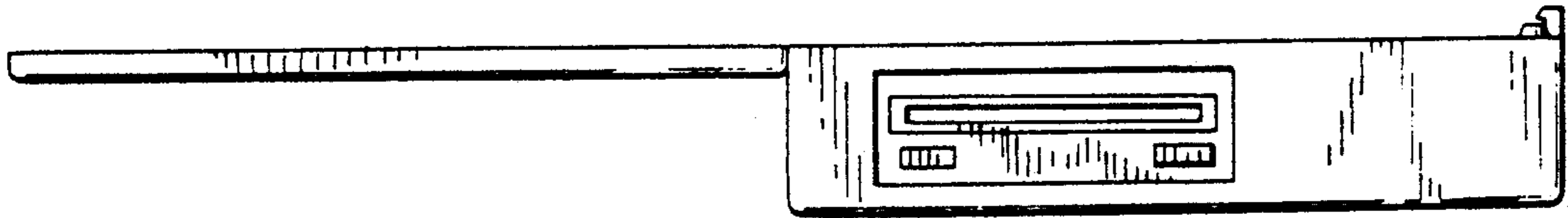


FIG. 4

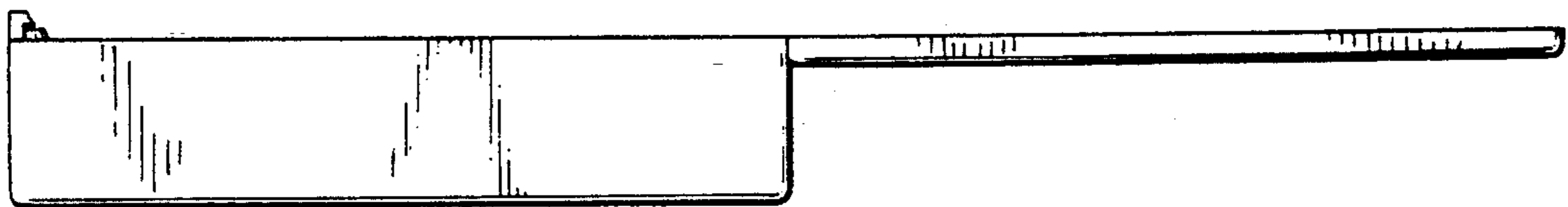


FIG. 5

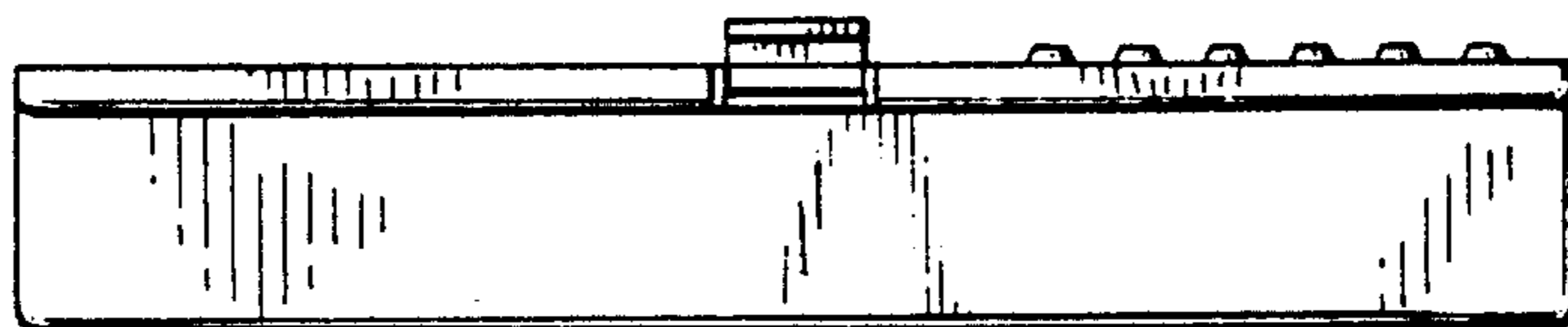


FIG. 6



FIG. 7

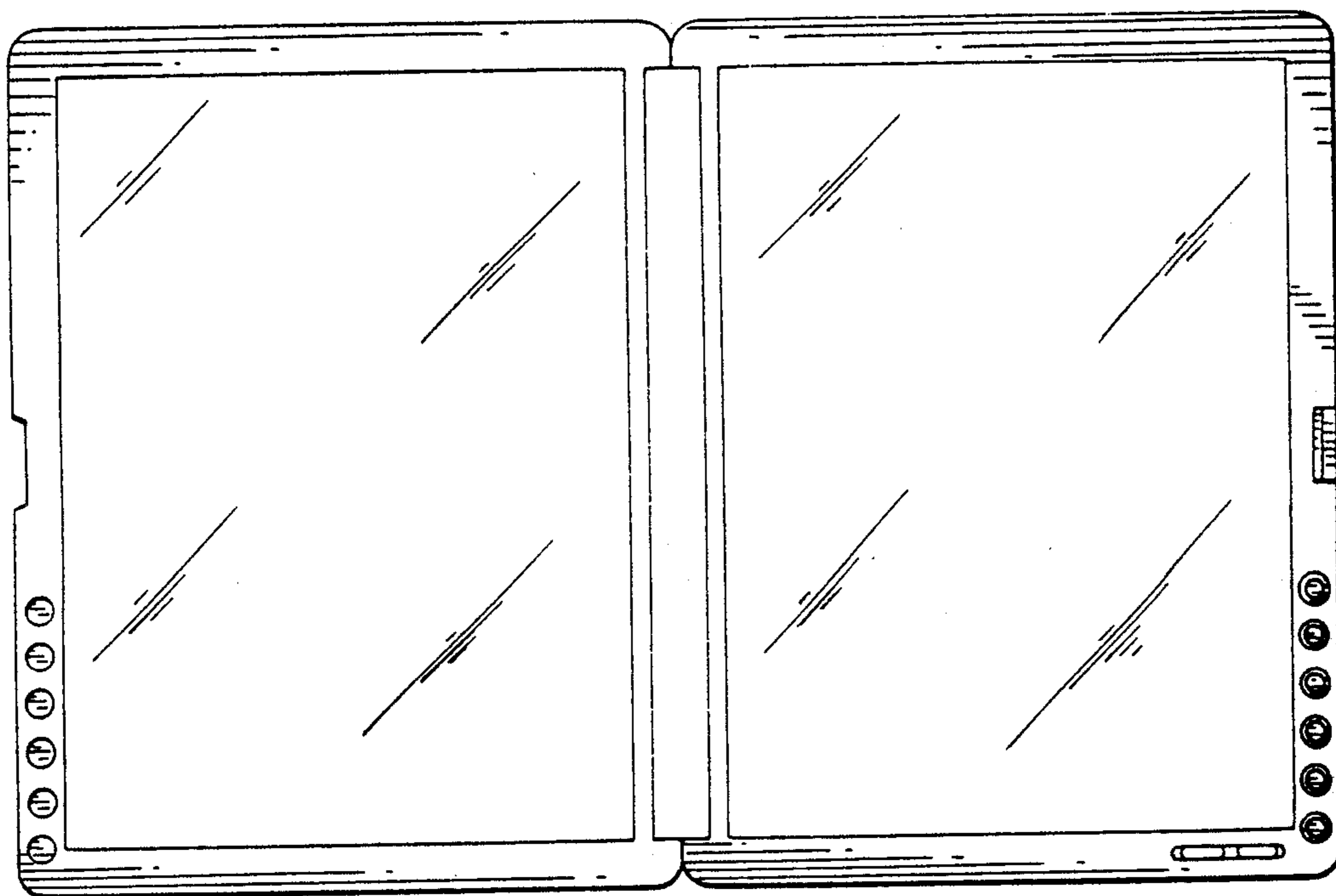


FIG. 8

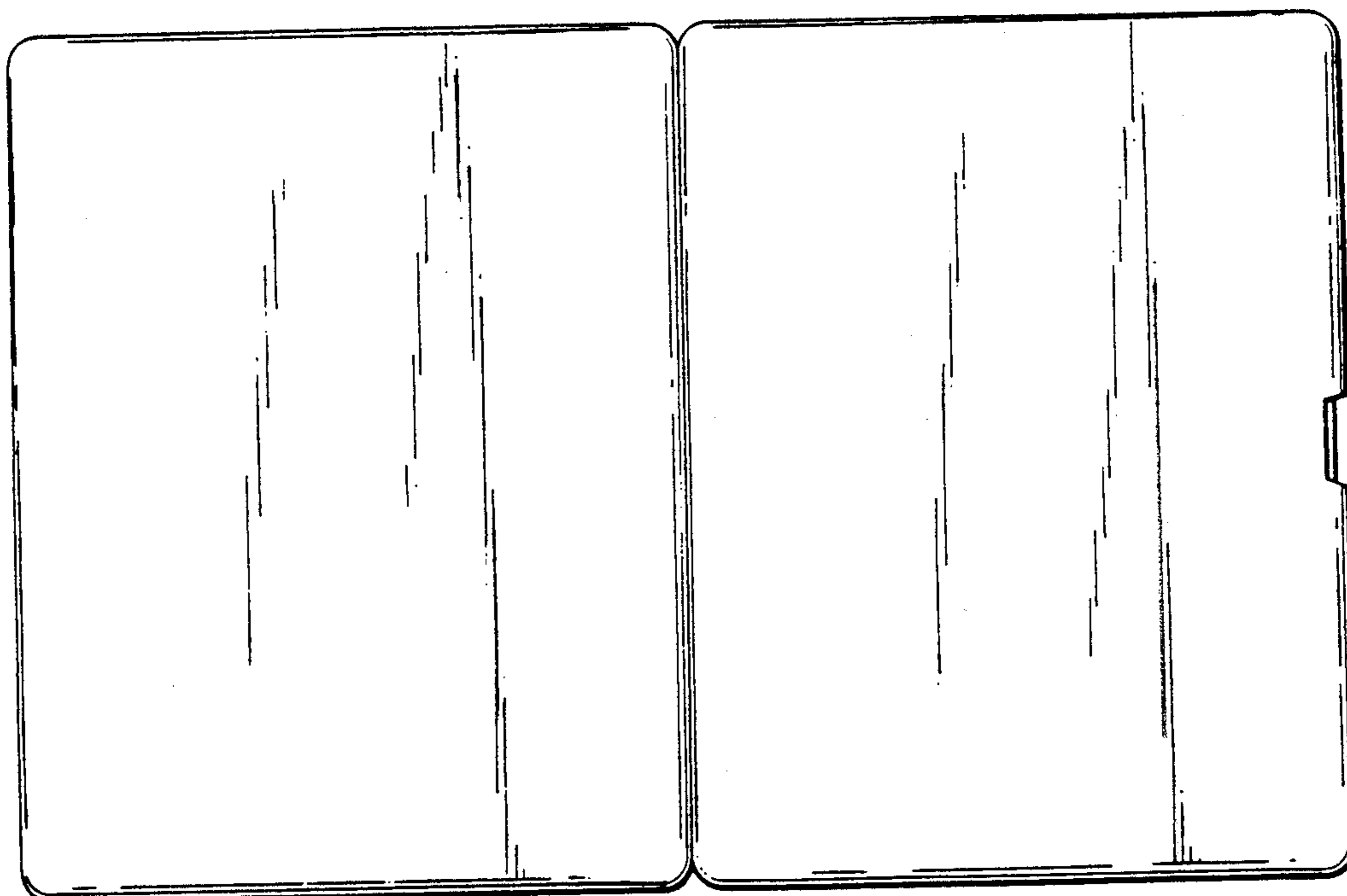


FIG. 9

