

- [54] ABSORBER OF ELECTRICAL NOISE
- [75] Inventor: Yoshihito Nakano, Kasugai, Japan
- [73] Assignee: Kitagawa Industries Co., Ltd., Japan
- [**] Term: 14 Years
- [21] Appl. No.: 385,475
- [22] Filed: Jul. 27, 1989

Attorney, Agent, or Firm—Oliff & Berridge

[57] CLAIM

The ornamental design for absorber of electrical noise, as shown and described.

DESCRIPTION

FIG. 1 is a perspective view of an absorber of electrical noise showing my new design in the opened position; FIG. 2 is a perspective view of an absorber of electrical noise showing my new design in the closed position and on a reduced scale; FIG. 3 is a front elevational view of an absorber of electrical noise showing my new design on a slightly enlarged scale; FIG. 4 is a left side elevational view thereof, the right side elevational view thereof being a mirror image; FIG. 5 is a rear elevational view thereof; FIG. 6 is a bottom plan view thereof; FIG. 7 is a top plan view thereof; FIG. 8 is a front elevational view of an absorber of electrical noise showing a second embodiment of my new design; FIG. 9 is a left side elevational view thereof, the right side elevational view thereof being a mirror image; FIG. 10 is a top plan view thereof; FIG. 11 is a perspective view of an absorber of electrical noise showing the second embodiment of my new design on a slightly reduced scale; FIG. 12 is a perspective view of an absorber of electrical noise showing my new design on an enlarged scale, disclosing only one of the sections. The complete absorber being formed of two such sections, one of which is inverted and placed together with the other.

Related U.S. Application Data

- [60] Division of Ser. No. 205,578, Jun. 6, 1988, Pat. No. 4,885,559, which is a continuation of Ser. No. 25,059, Mar. 12, 1987, abandoned.
- [52] U.S. Cl. D13/199
- [58] Field of Search D13/156, 157, 118, 133, D13/147; D8/356, 396; 174/72 A, 74 A, 74 R, 52.1, 92, 138 F; 336/65, 92

References Cited

U.S. PATENT DOCUMENTS

| | | | |
|-----------|---------|---------------|-----------|
| 3,112,148 | 11/1963 | Wochner | 174/92 |
| 3,147,338 | 9/1964 | Ekvall et al. | D13/156 X |
| 4,029,896 | 6/1977 | Skinner | 174/92 X |
| 4,610,738 | 9/1986 | Jervis | 174/92 X |
| 4,873,505 | 10/1989 | Matsui | 336/92 |
| 4,882,561 | 11/1989 | Fujioka | 336/65 |
| 4,885,559 | 12/1989 | Nakano | 336/92 |

FOREIGN PATENT DOCUMENTS

| | | | |
|---------|--------|--------|----------|
| 1207996 | 2/1960 | France | 174/52.1 |
|---------|--------|--------|----------|

Primary Examiner—Susan J. Lucas

Assistant Examiner—J. Sincavage

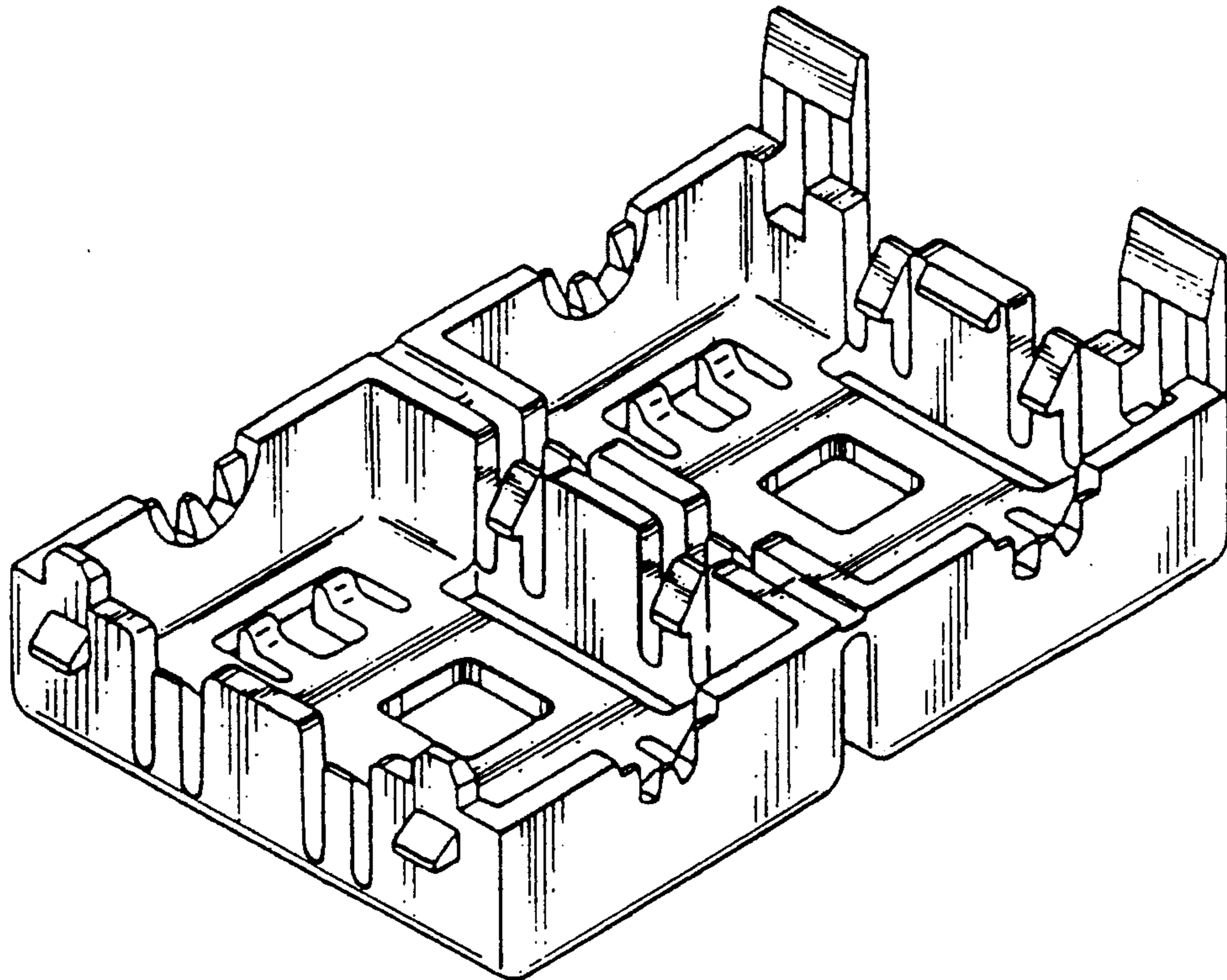


FIG. 1

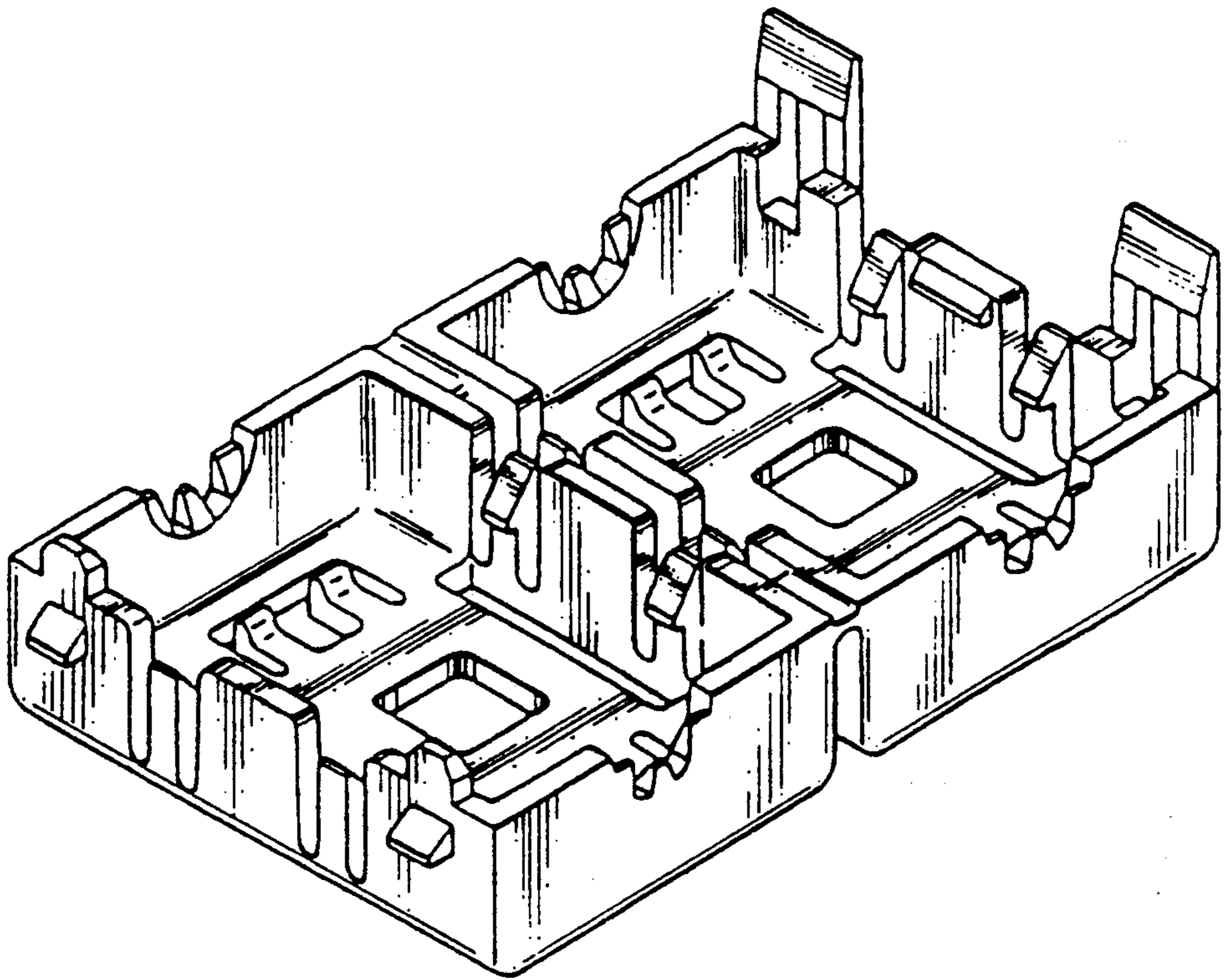


FIG. 2

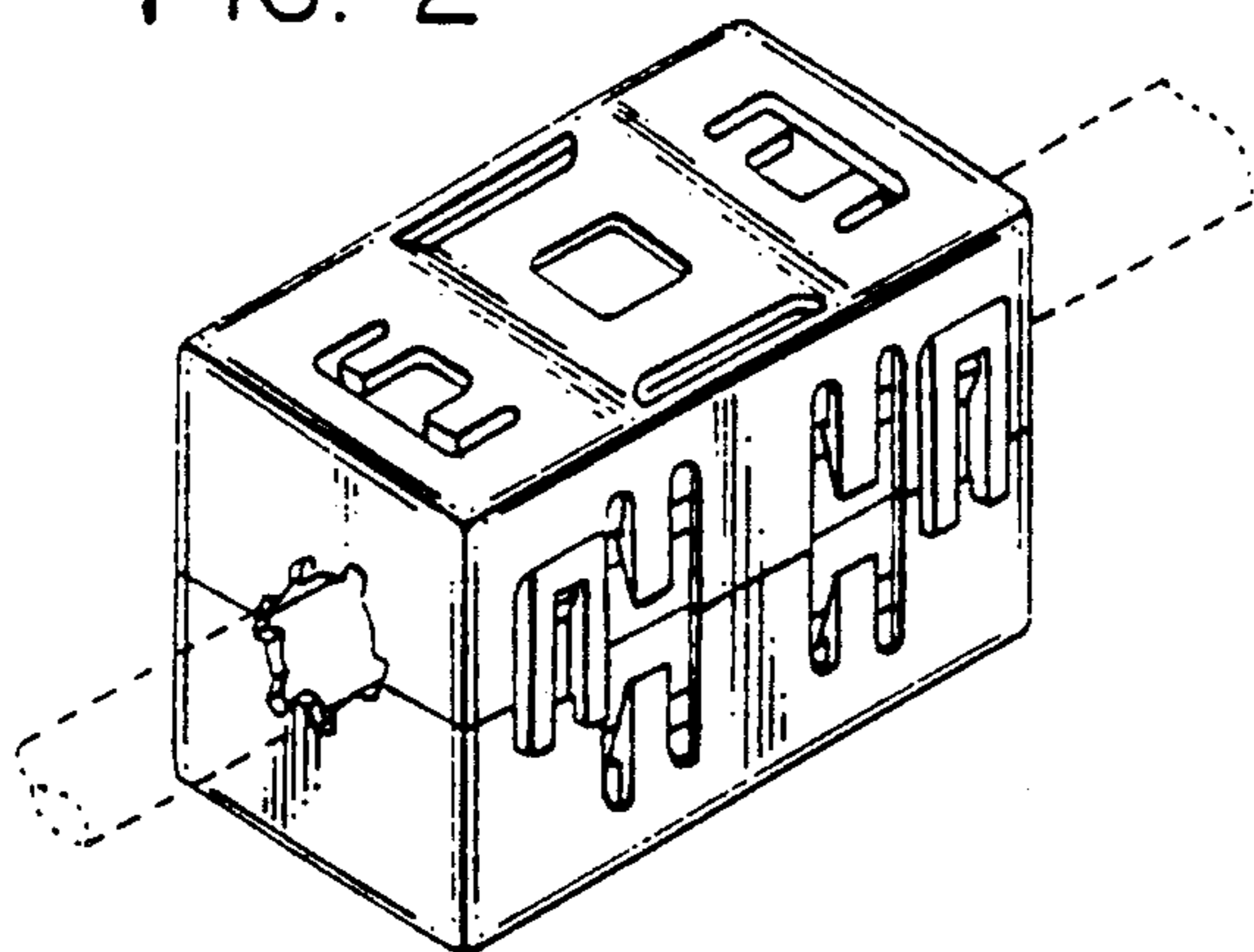


FIG. 3

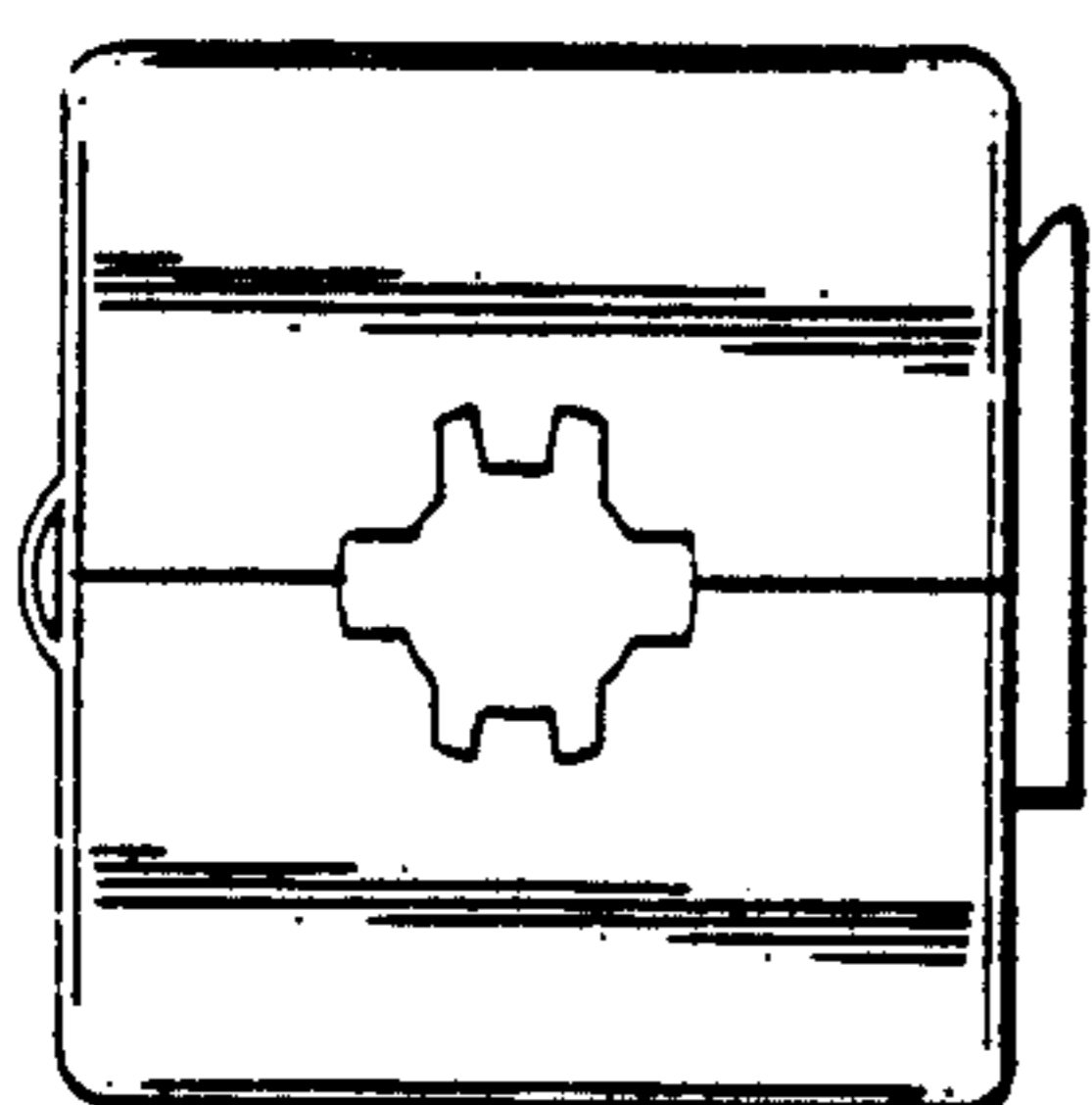
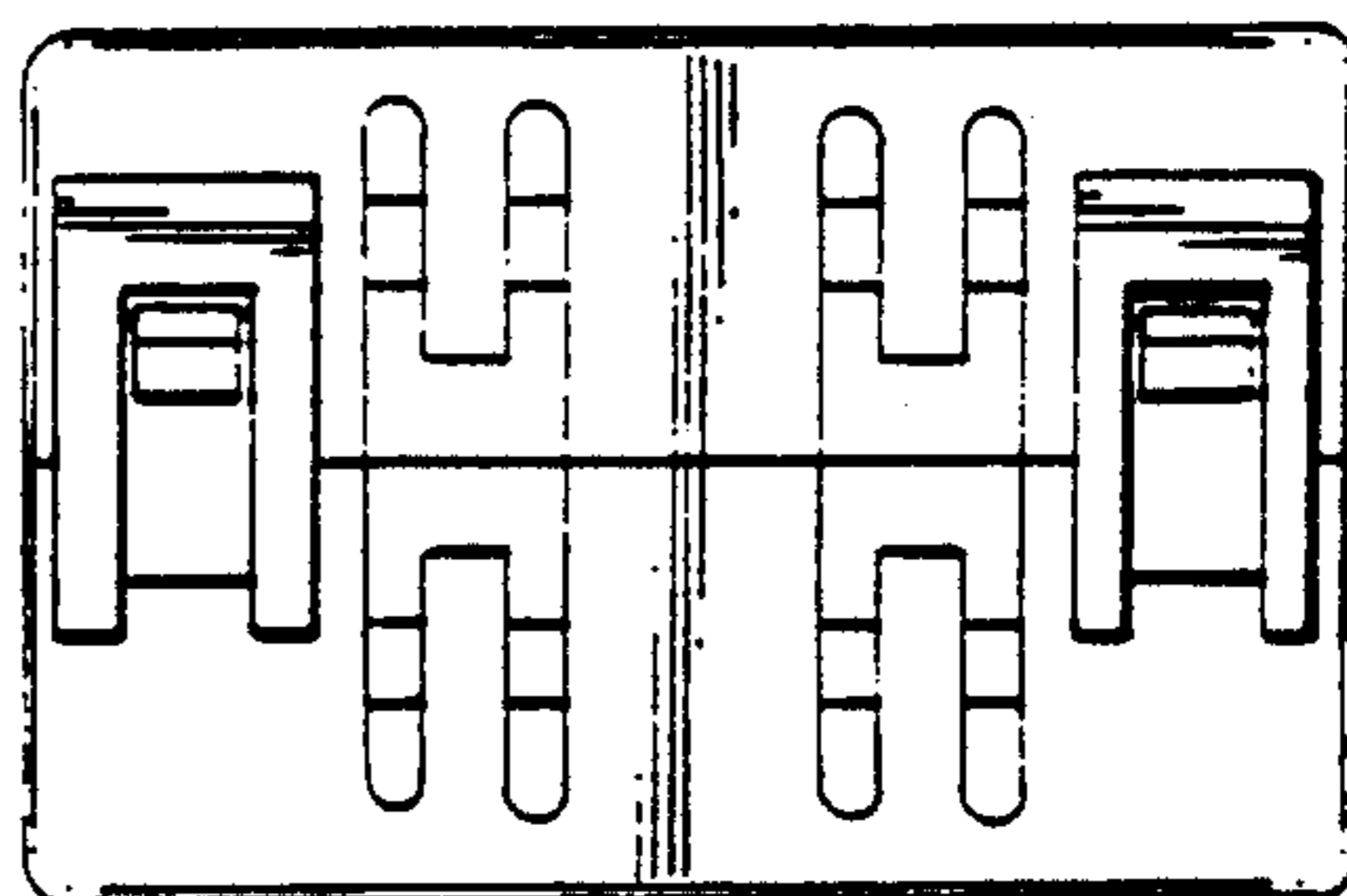


FIG. 4

FIG. 5

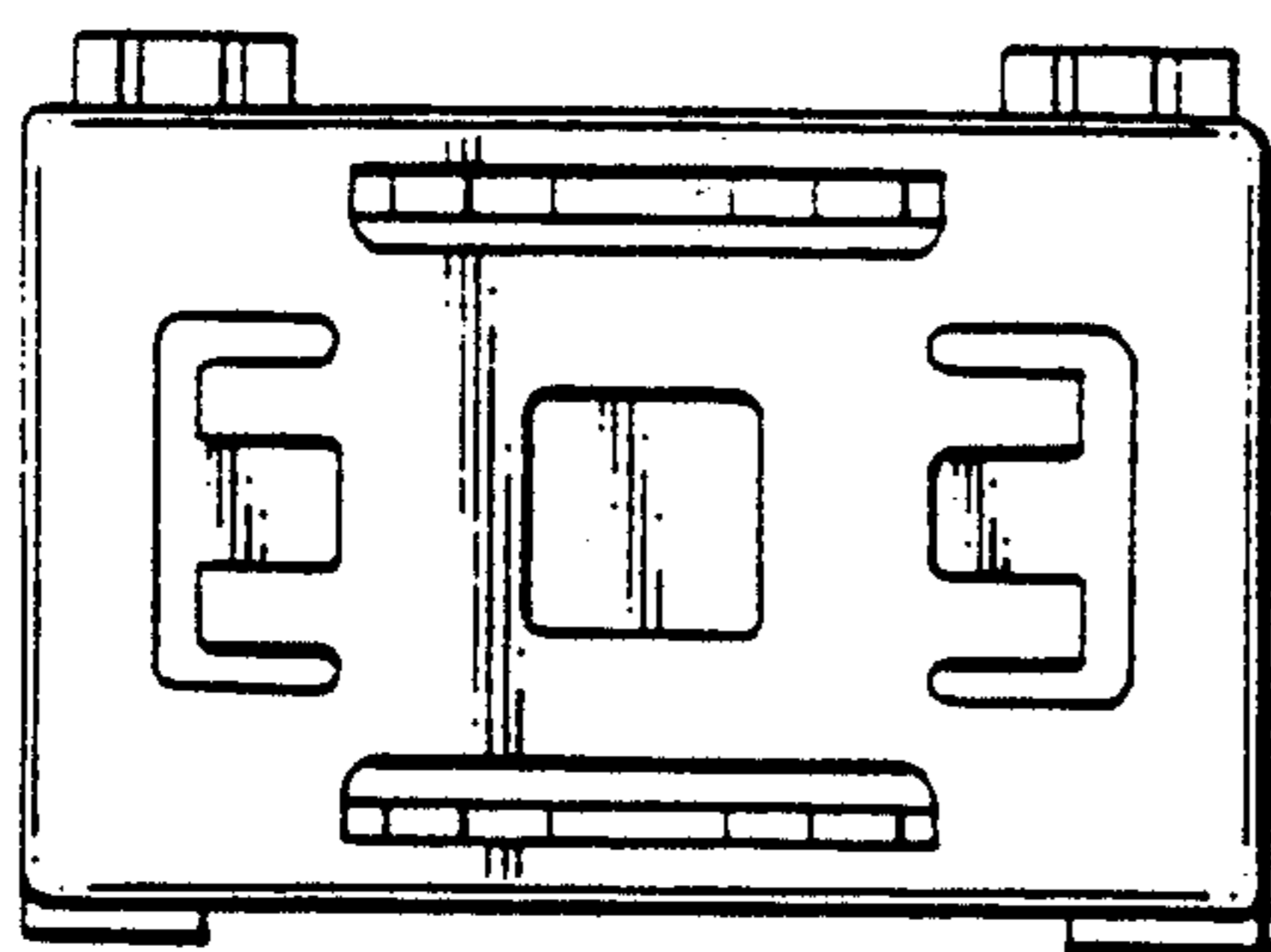
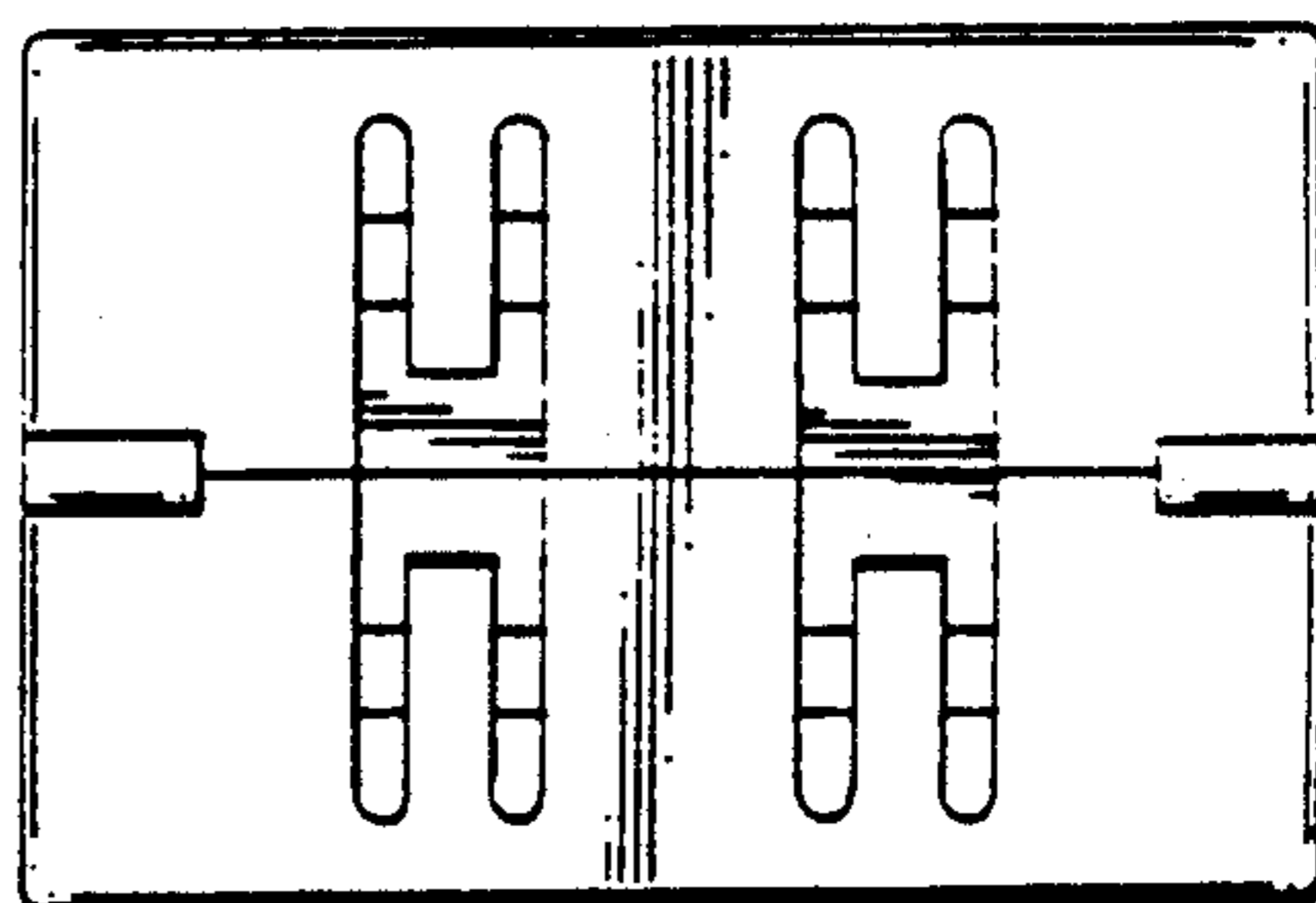
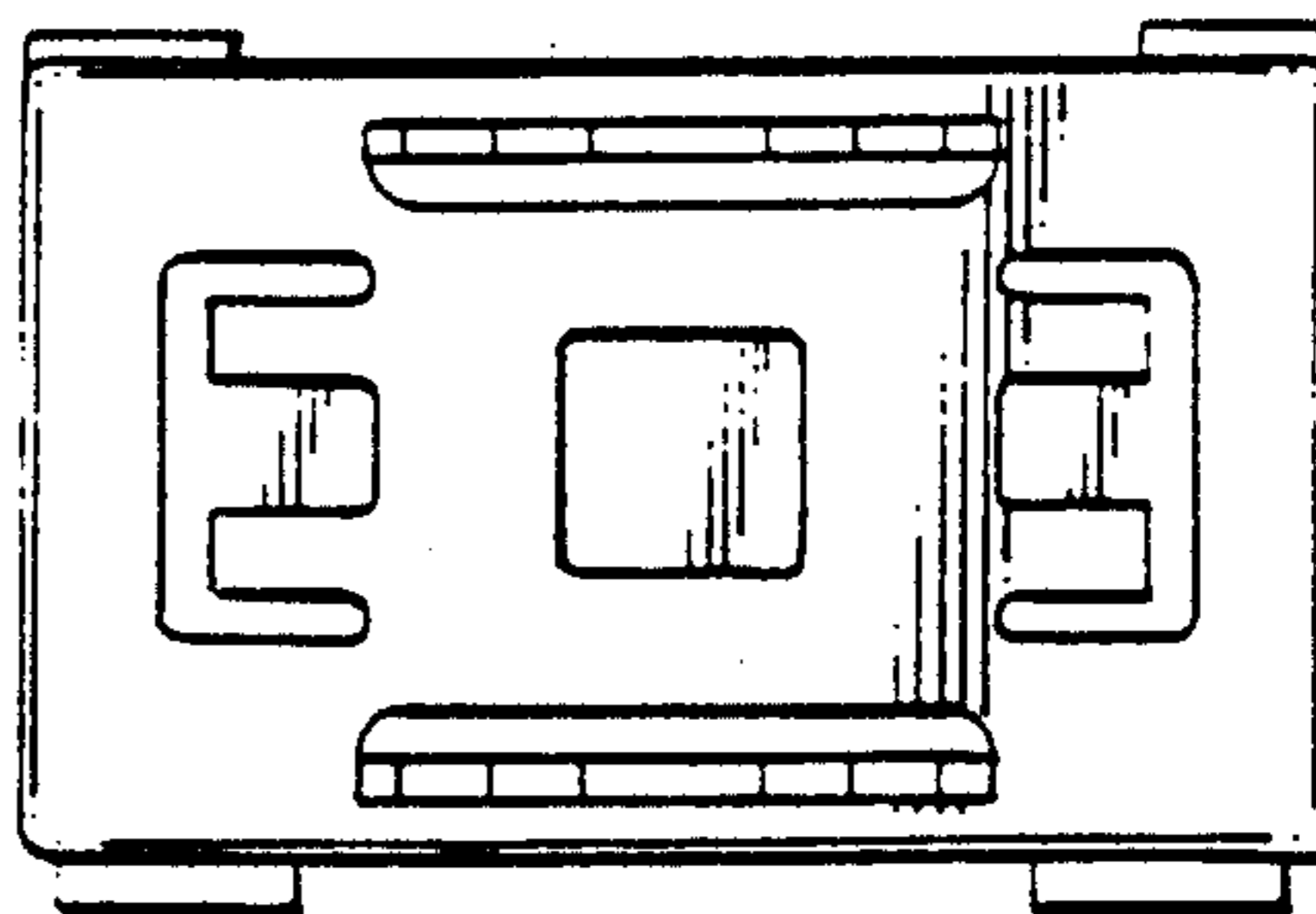


FIG. 6

FIG. 7



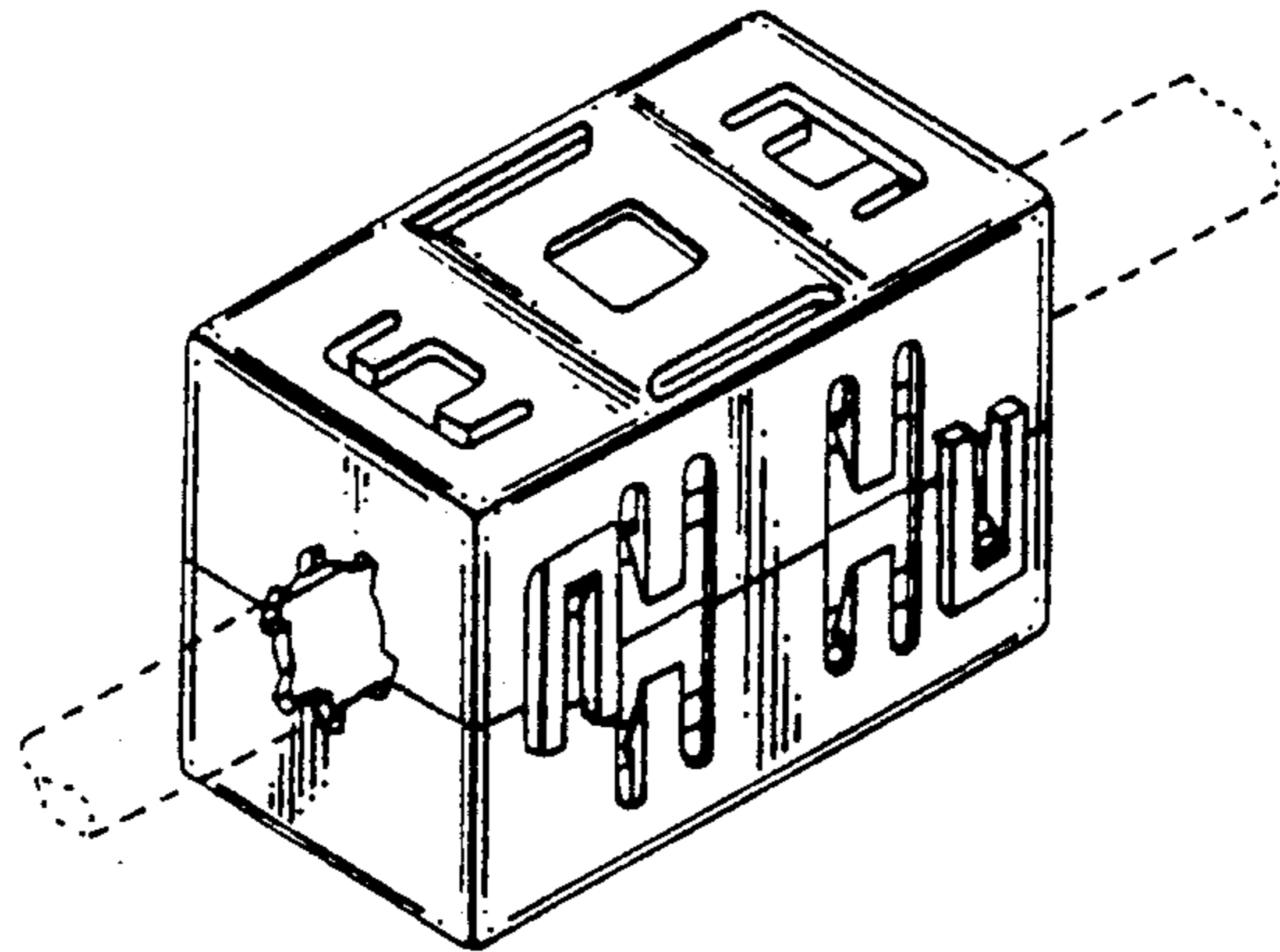


FIG. II

FIG. 8

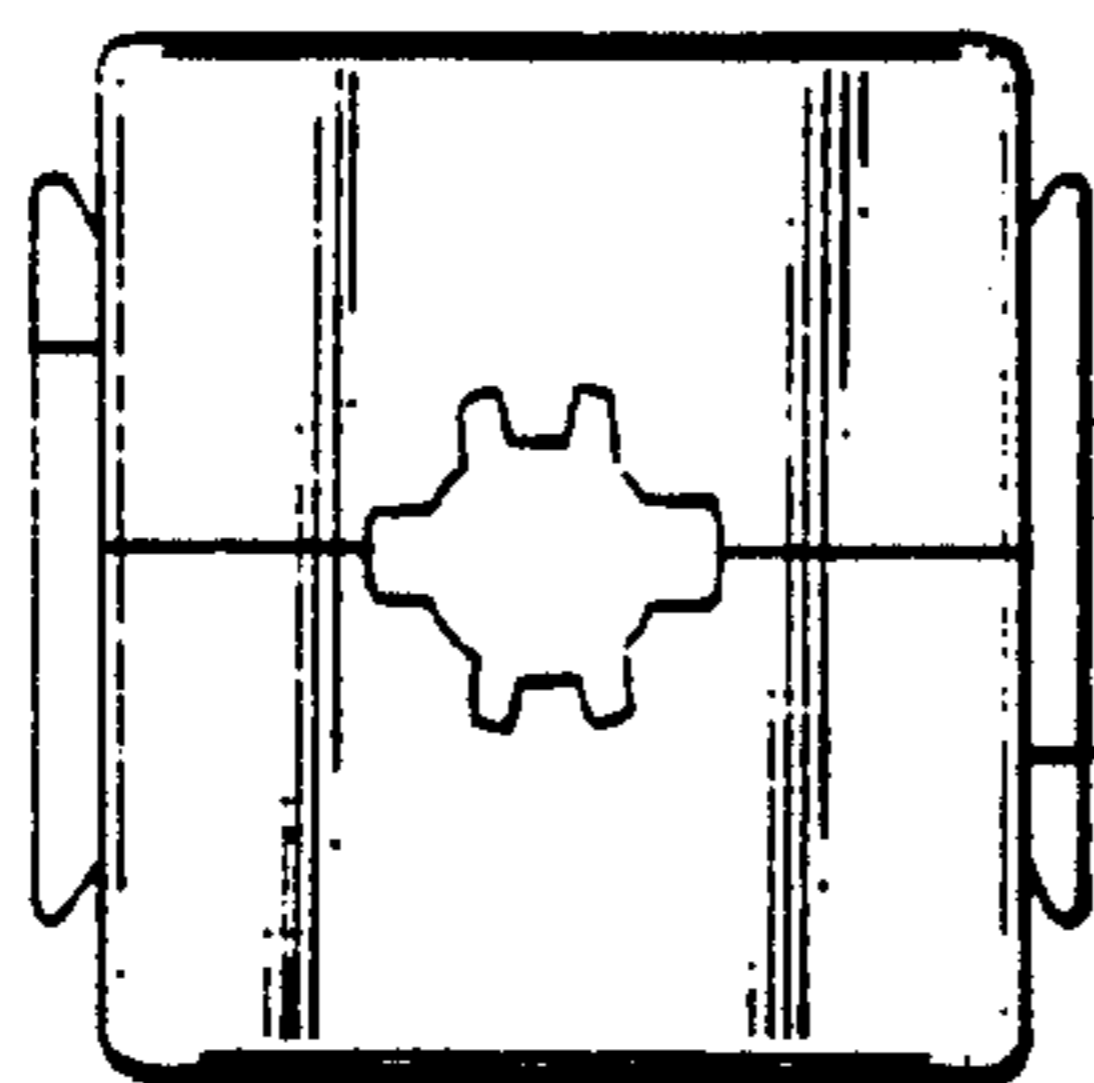


FIG. 9

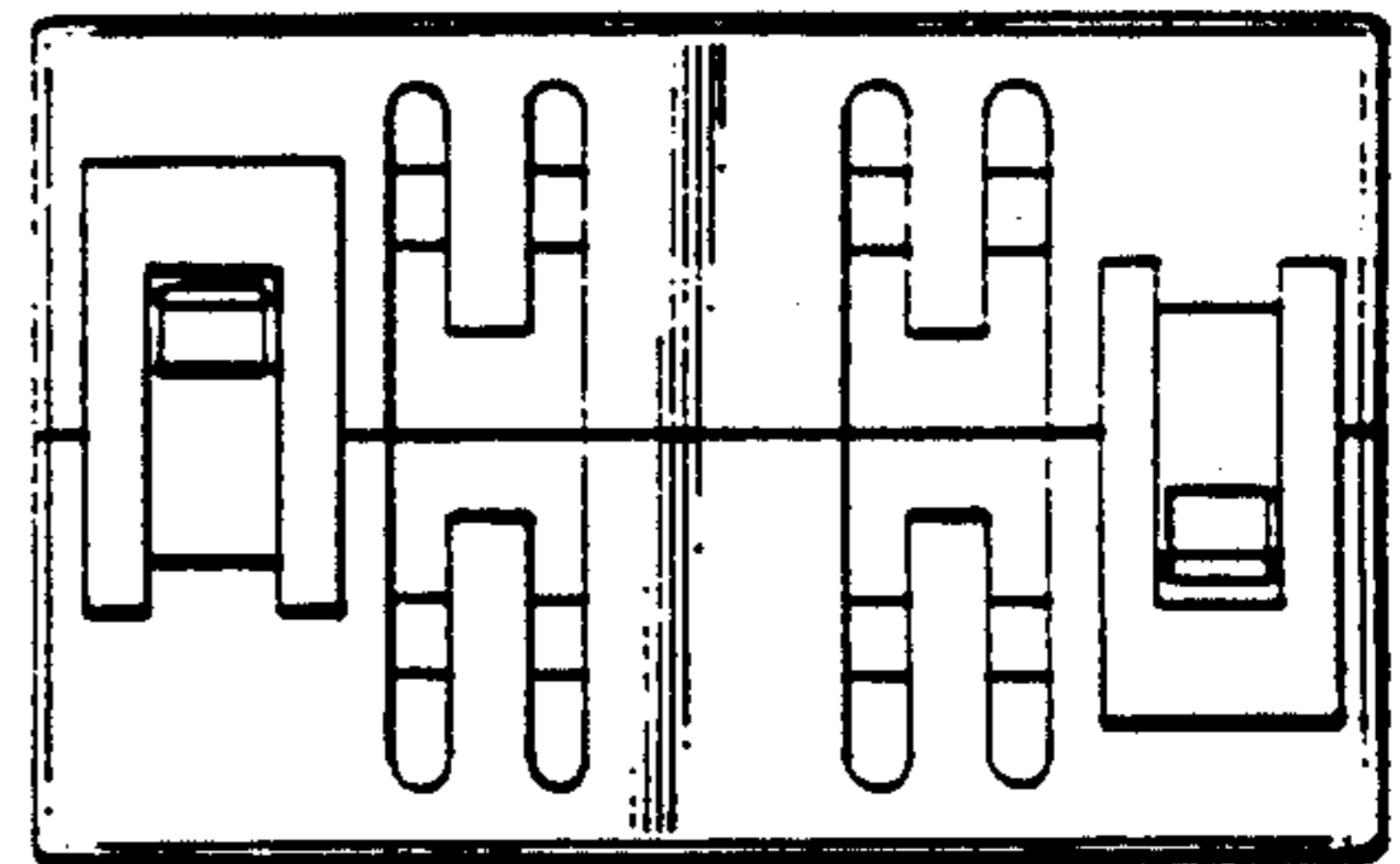


FIG. 12

FIG. 10

