

[54] DESIGN FOR AN INTERRUPTER SWITCH WITH CURRENT-SENSING FEATURE

[75] Inventors: Joel A. Ramos; Bruce A. Biller, both of Chicago; Henry W. Scherer, Prospect; Roy T. Swanson, Riverside, all of Ill.

[73] Assignee: S&C Electric Company, Chicago, Ill.

[\*] Notice: The portion of the term of this patent subsequent to Jun. 11, 2005 has been disclaimed.

[\*\*] Term: 14 Years

[21] Appl. No.: 331,218

[22] Filed: Mar. 30, 1989

[52] U.S. Cl. .... D13/160

[58] Field of Search ..... D13/158, 160, 169, 129-132; 200/48 R, 48 P, 48 A, 48 B, 146 R; 174/152 R, 152 E

[56] References Cited

U.S. PATENT DOCUMENTS

3,163,736	12/1964	Mikos et al. ....	200/146 R X
3,627,939	6/1970	Myers .....	200/48.5 B
4,049,936	9/1977	Frink et al. ....	200/48 R X
4,541,033	9/1985	Saito .....	200/48 R X

OTHER PUBLICATIONS

G&W Interrupter on p. 12 of *Electrical Systems Design*, 3-88.

Primary Examiner—Susan J. Lucas

Assistant Examiner—J. Sincavage

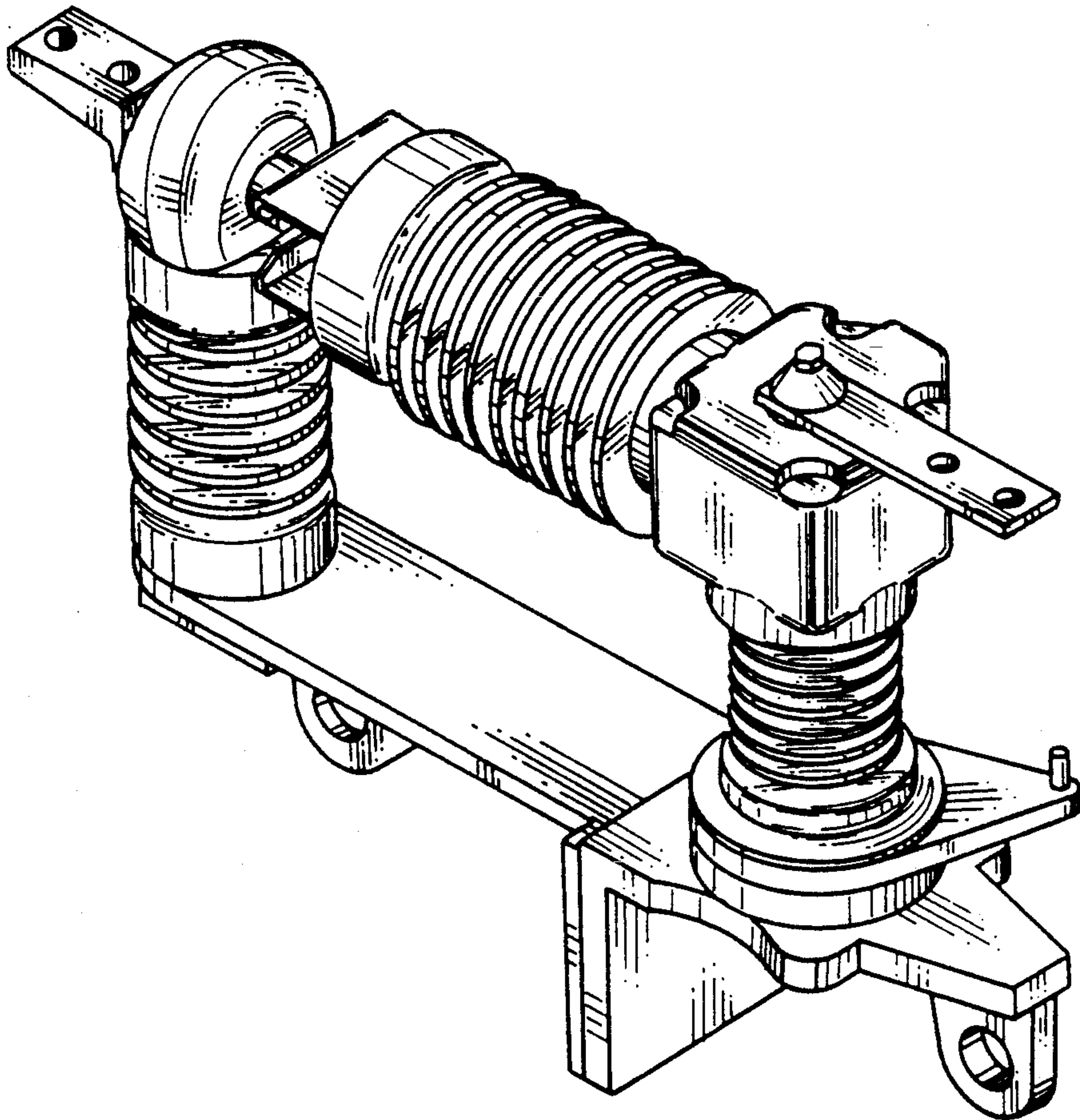
Attorney, Agent, or Firm—James V. Lapacek

[57] CLAIM

The ornamental design for an interrupter switch with current-sensing feature, as shown and described.

DESCRIPTION

FIG. 1 is a perspective view of an interrupter switch with current-sensing feature showing our new design; FIG. 2 is a front elevational view thereof; FIG. 3 is a rear elevational view thereof; FIG. 4 is a right side elevational view thereof; FIG. 5 is a left side elevational view thereof; FIG. 6 is a top plan view thereof; FIG. 7 is a bottom plan view thereof.



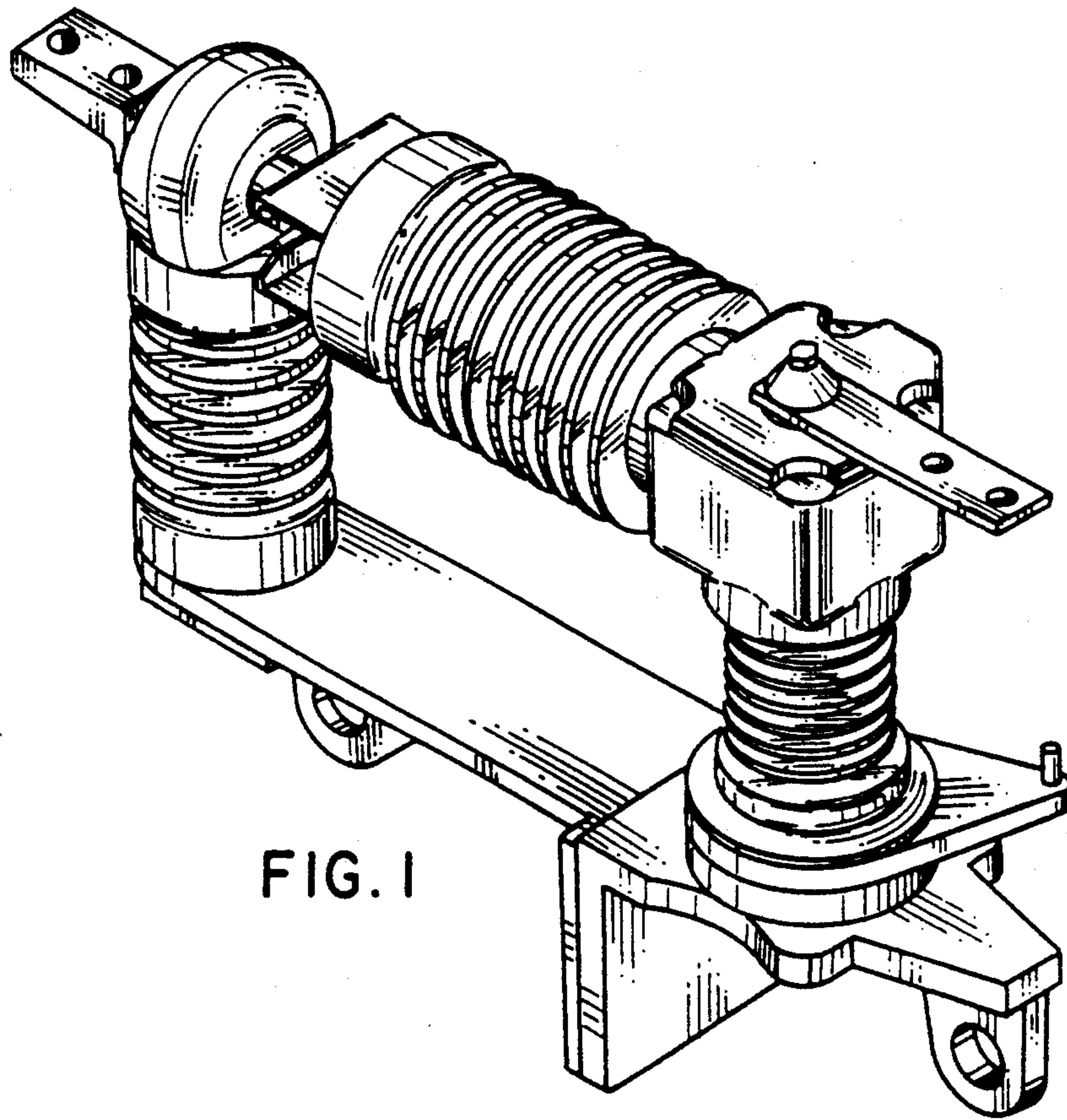


FIG. 1

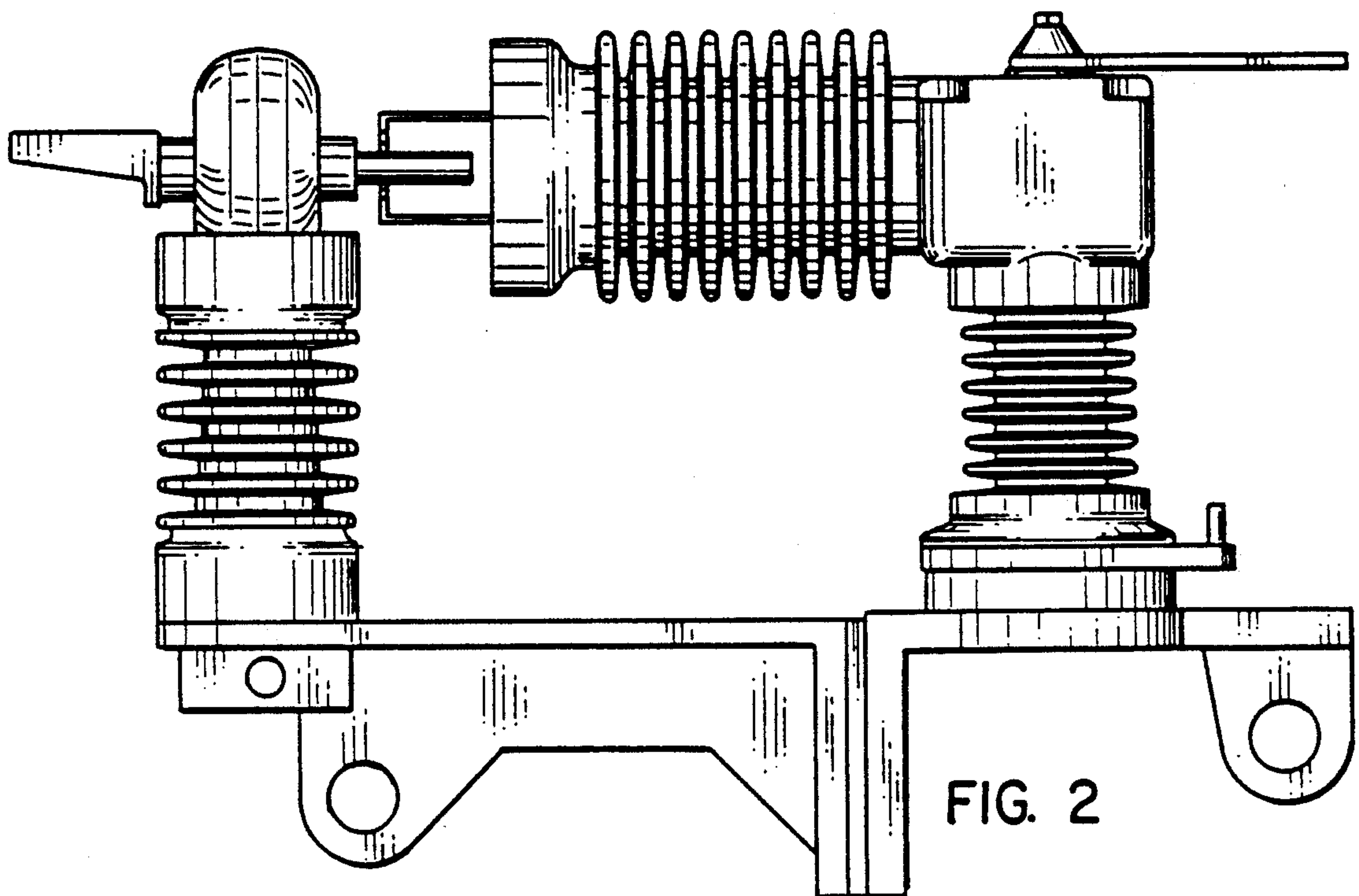
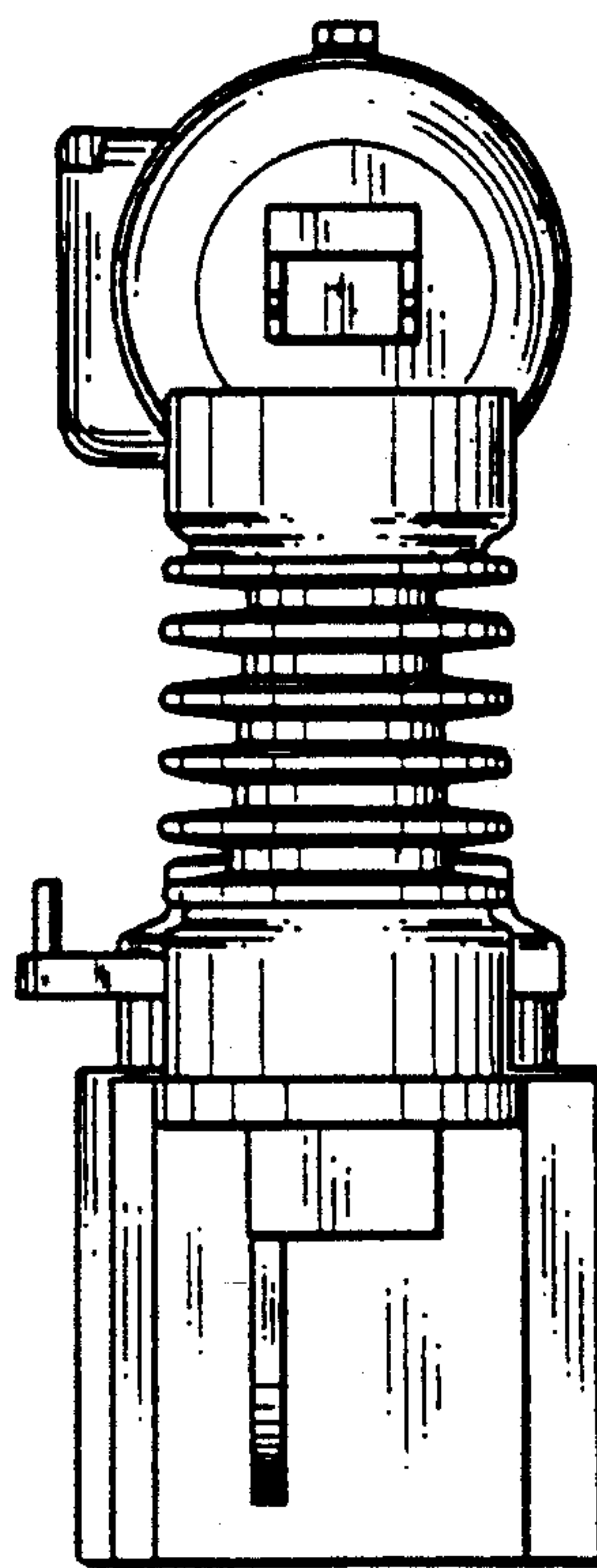
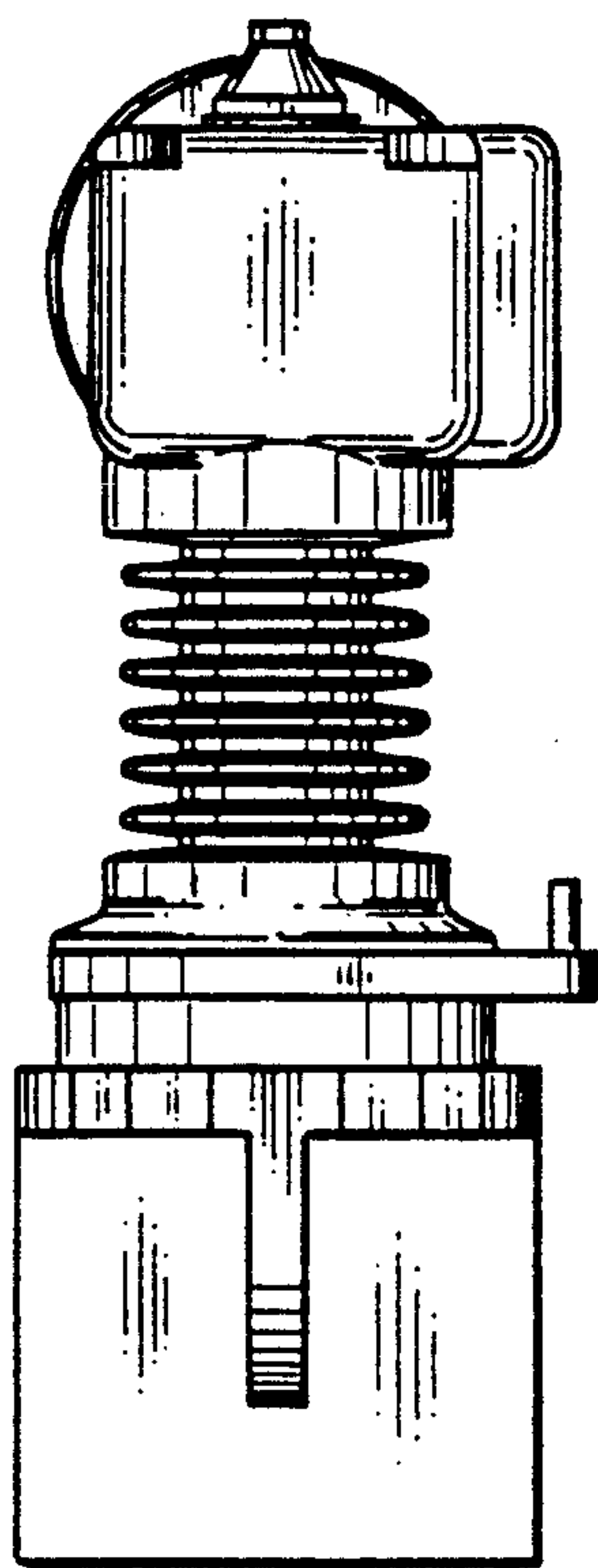
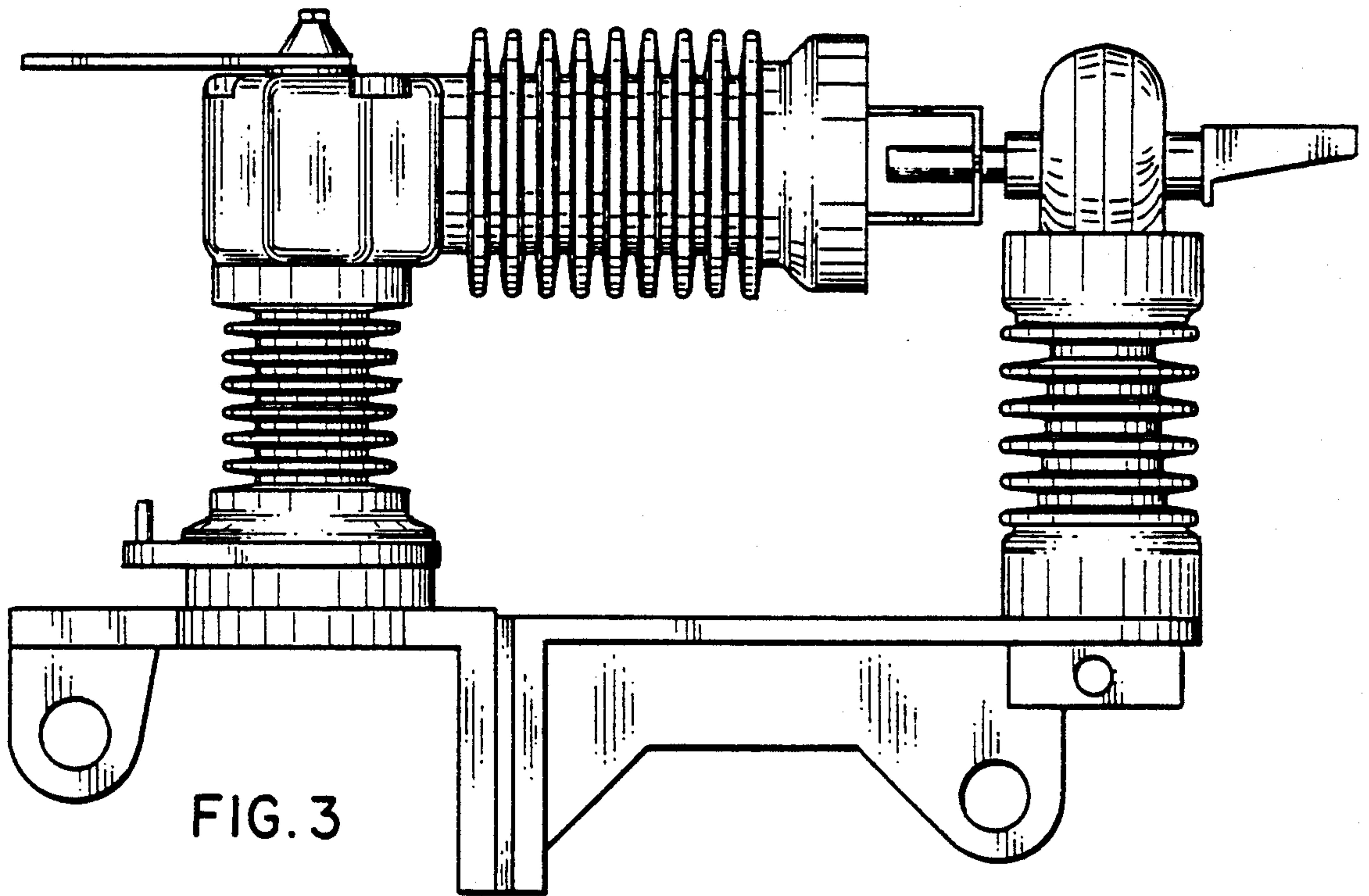


FIG. 2





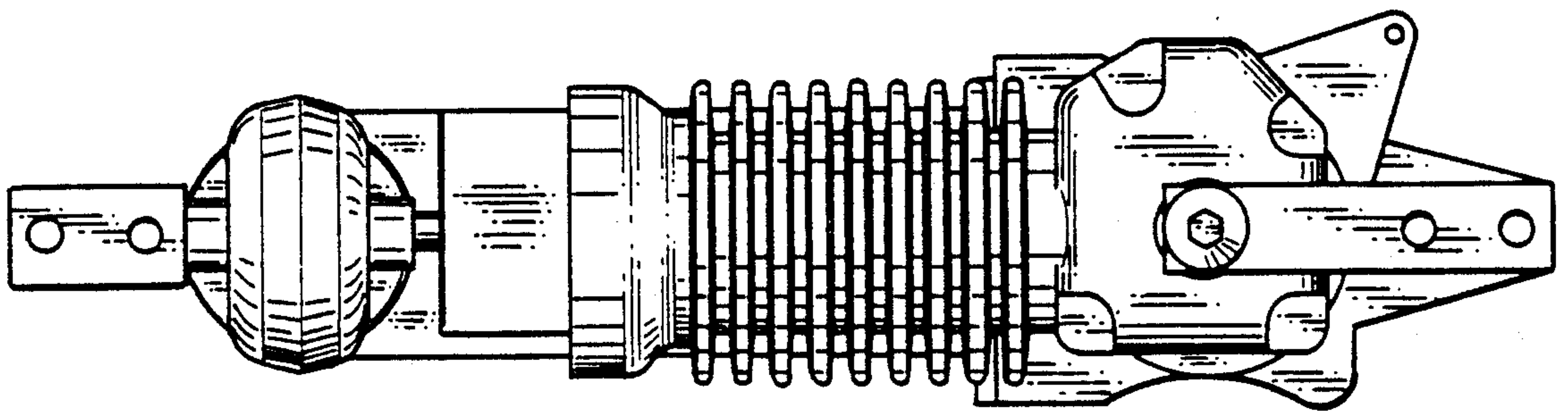


FIG. 6

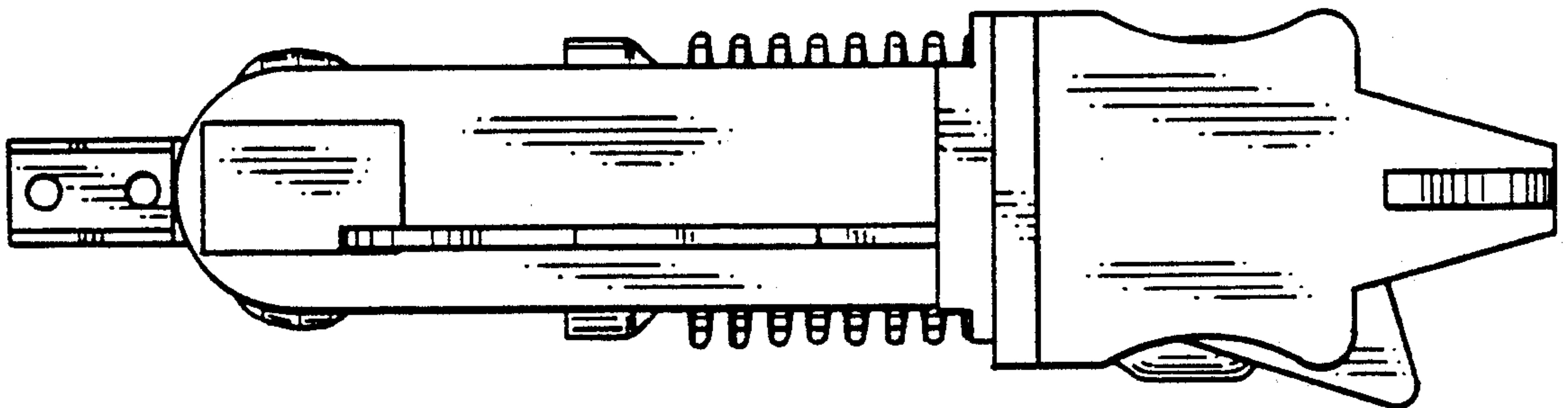


FIG. 7