

[54] BATTERY CHARGER

[75] Inventor: Satoru Usami, Osaka, Japan

[73] Assignee: Matsushita Electric Industrial Co., Ltd., Osaka, Japan

[\*\*] Term: 14 Years

[21] Appl. No.: 365,064

[22] Filed: Jun. 7, 1989

[30] Foreign Application Priority Data

Dec. 9, 1988 [JP] Japan ..... 63-48187

[52] U.S. Cl. .... D13/107

[58] Field of Search ..... D13/107, 108, 109, 120, D13/184; D14/253; 320/2, 3, 4, 5

[56] References Cited

U.S. PATENT DOCUMENTS

D. 206,805	1/1967	Cunitz	.....	D13/107
D. 216,469	1/1970	Floyd	.....	D13/107
D. 278,702	5/1985	Chiodo et al.	.....	D13/107
D. 301,135	5/1989	Schappler	.....	D13/107
4,766,361	8/1988	Pusateri	.....	320/2

OTHER PUBLICATIONS

Battery Chargers on pp. 386, 387 of *Hong Kong Enterprise*, 11-87.

Commercial flyer *The New GE Battery Charger*, 1-88. Battery Charger on p. 131 of *Hardware Age*, 3-88.

Primary Examiner—Susan J. Lucas

Assistant Examiner—J. Sincavage

Attorney, Agent, or Firm—Sughrue, Mion, Zinn, Macpeak & Seas

[57] CLAIM

The ornamental design for a battery charger, as shown.

DESCRIPTION

FIG. 1 is a front, top, and left side perspective view of a battery charger showing my new design;

FIG. 2 is a rear, bottom and right side perspective view thereof;

FIG. 3 is a front elevational view thereof;

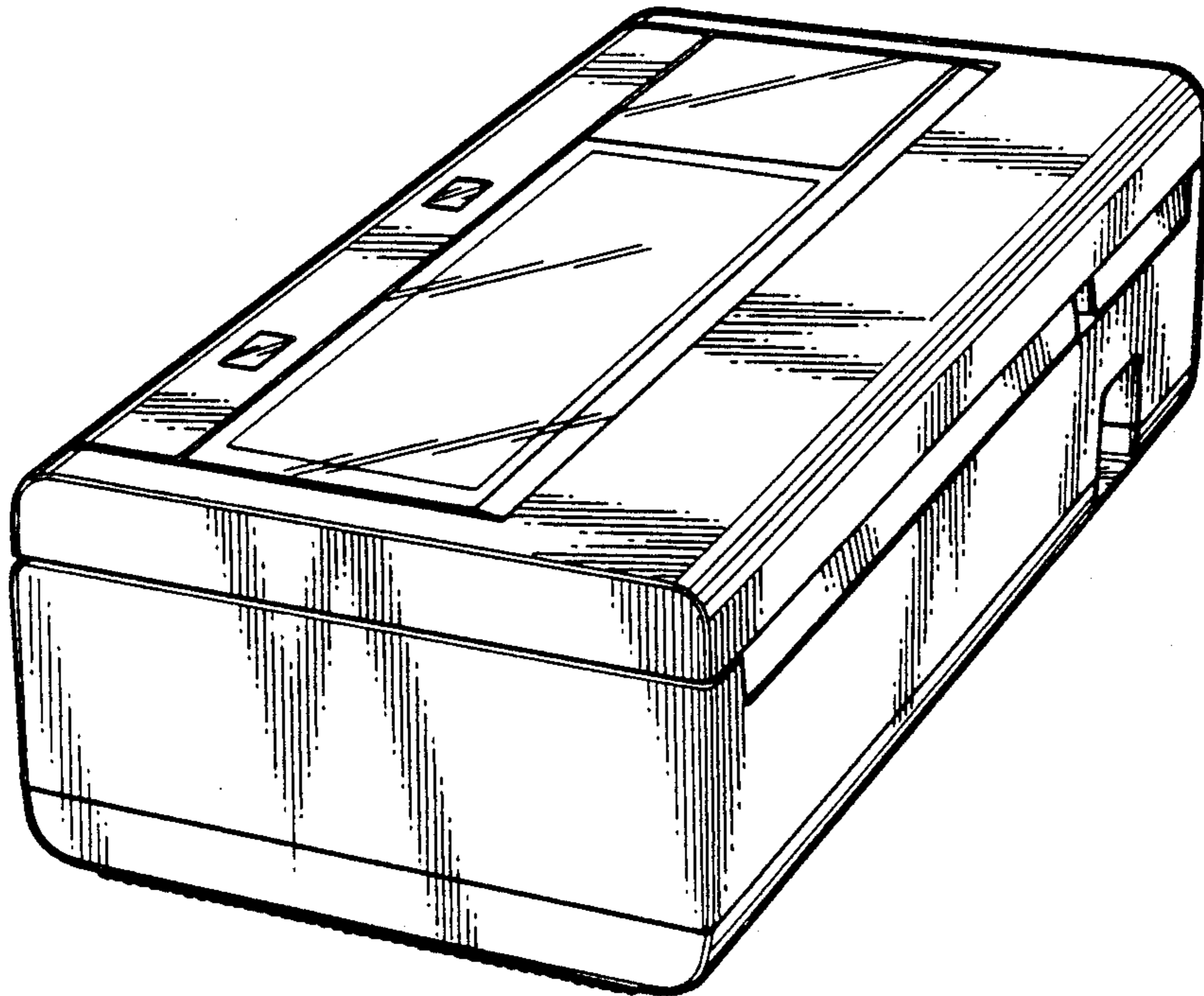
FIG. 4 is a rear elevational view thereof;

FIG. 5 is a left side elevational view thereof;

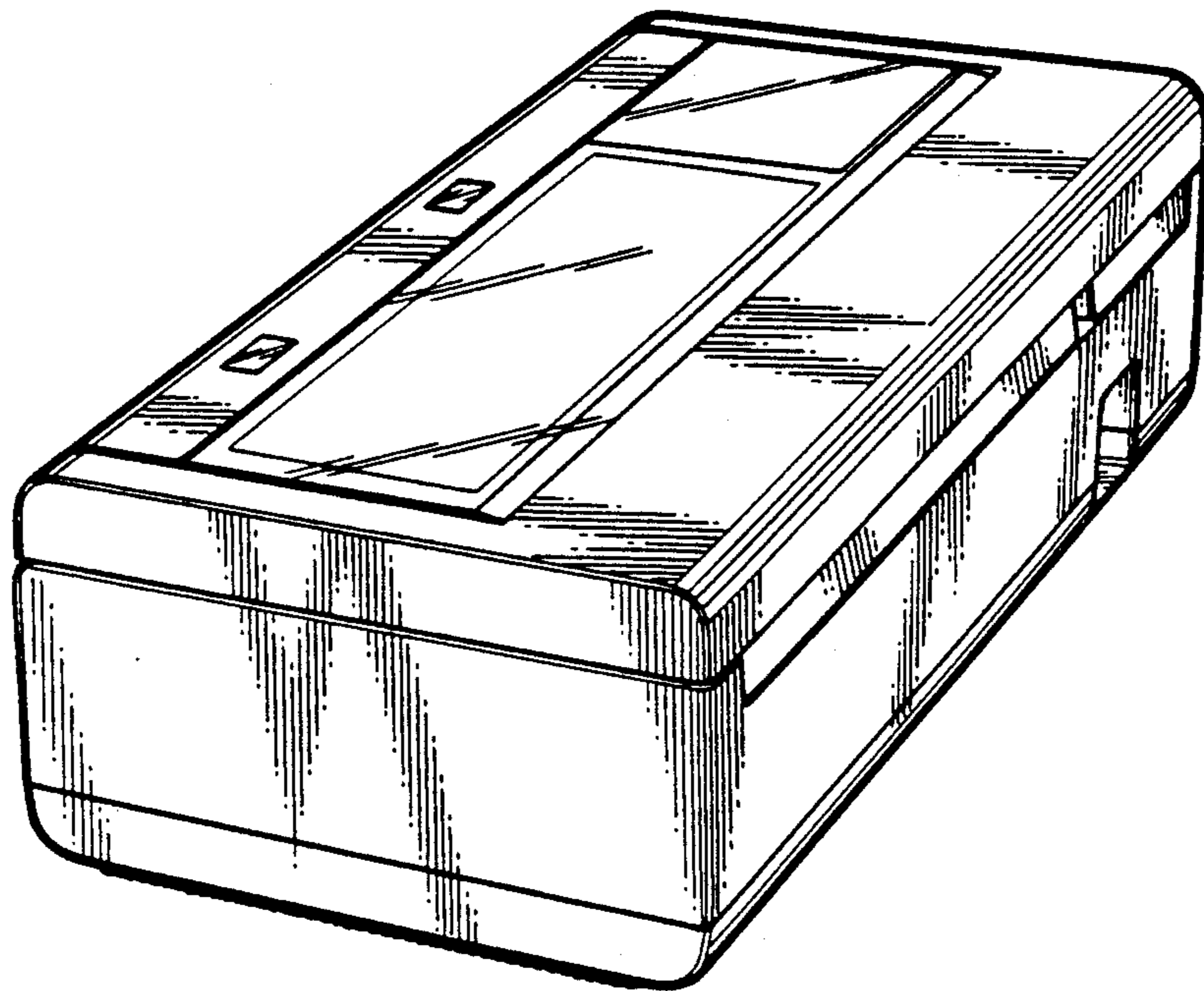
FIG. 6 is a right side elevational view thereof;

FIG. 7 is a top plan view thereof; and

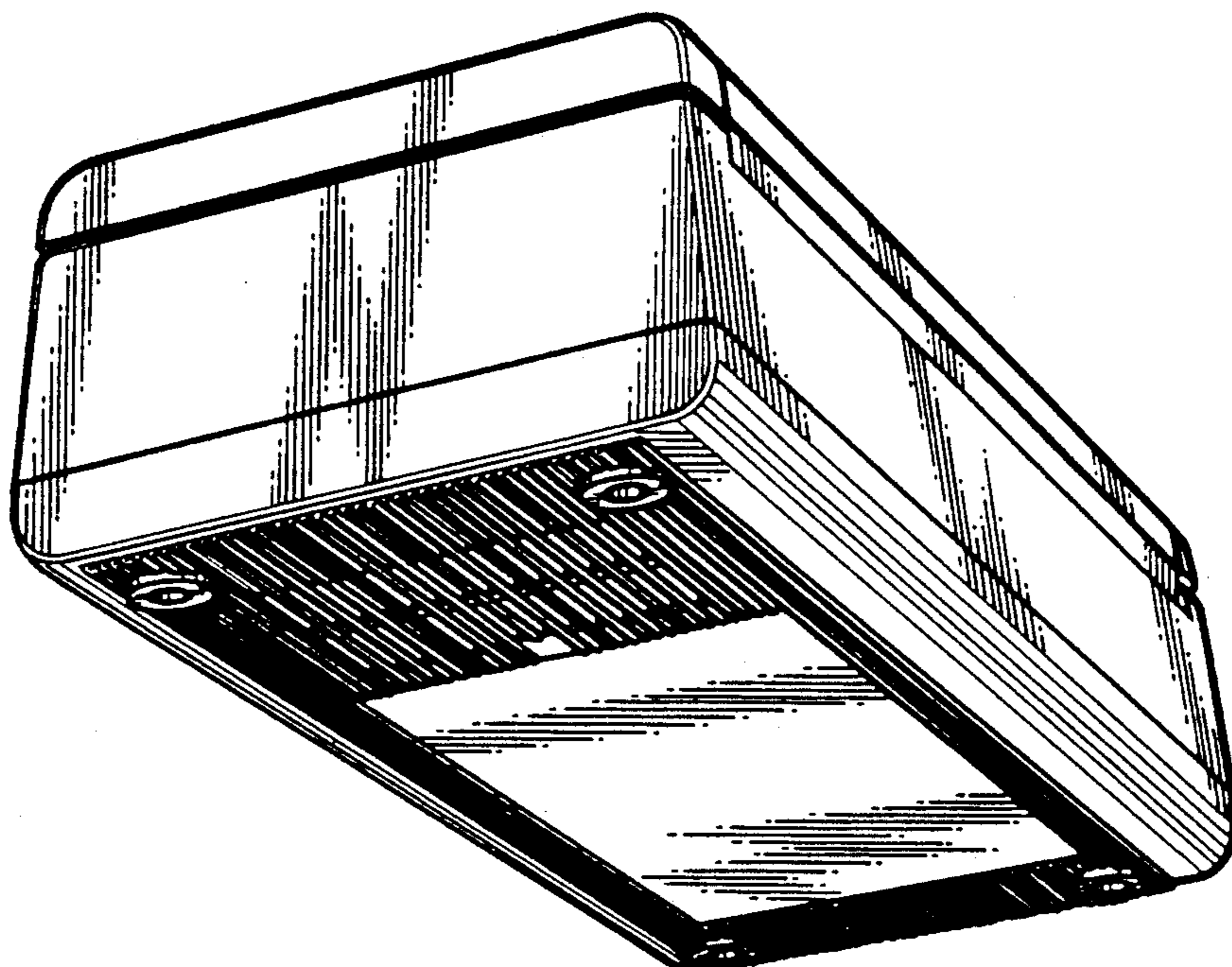
FIG. 8 is a bottom plan view thereof.



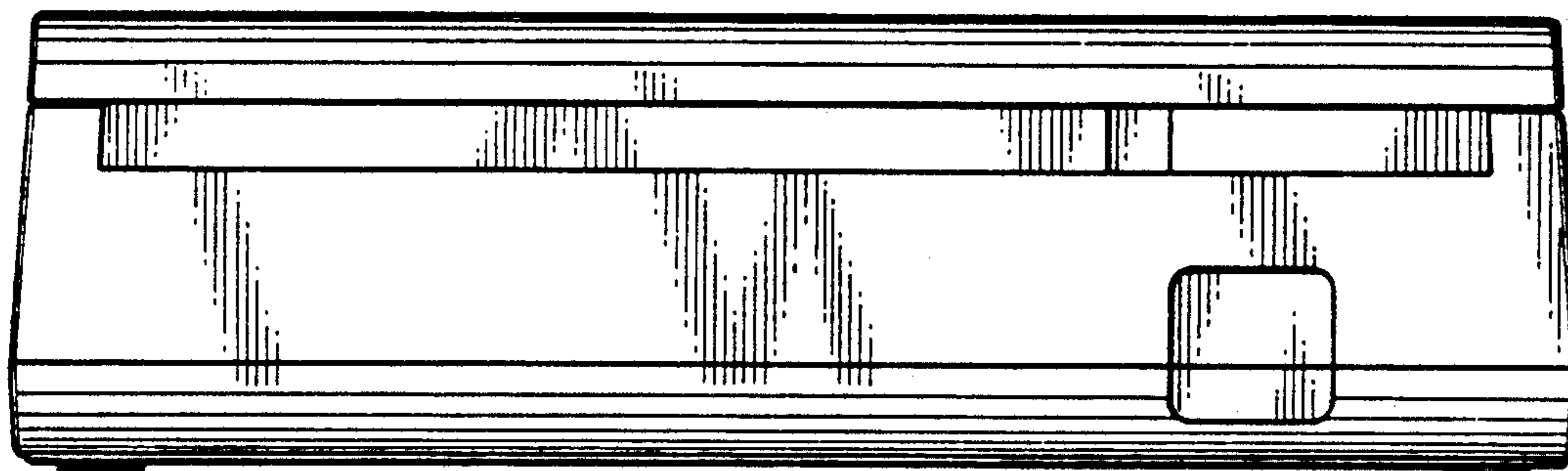
*Fig. 1*



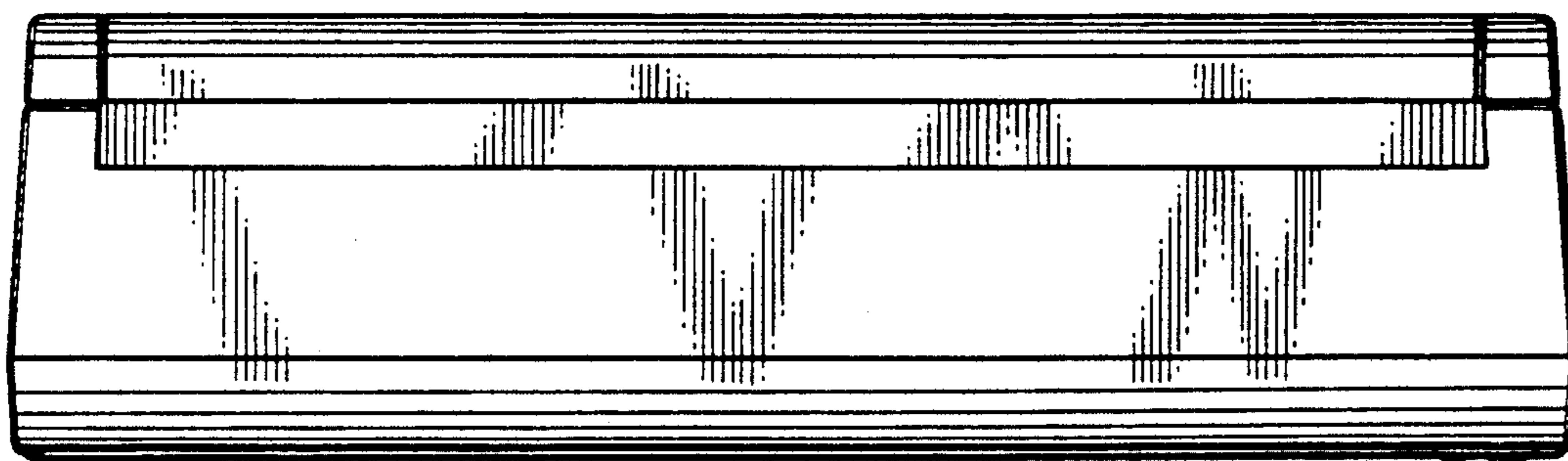
*Fig. 2*



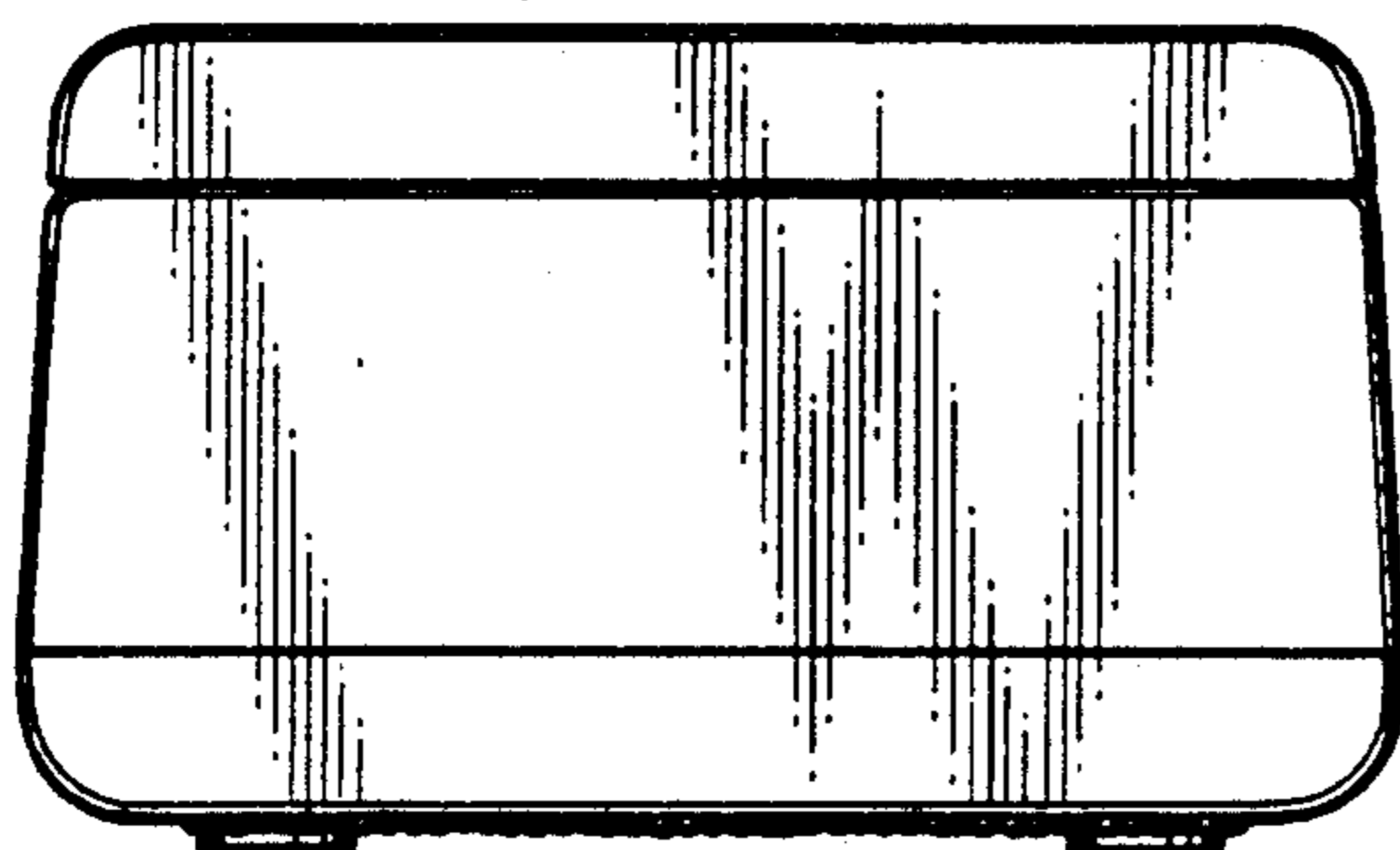
*Fig. 3*



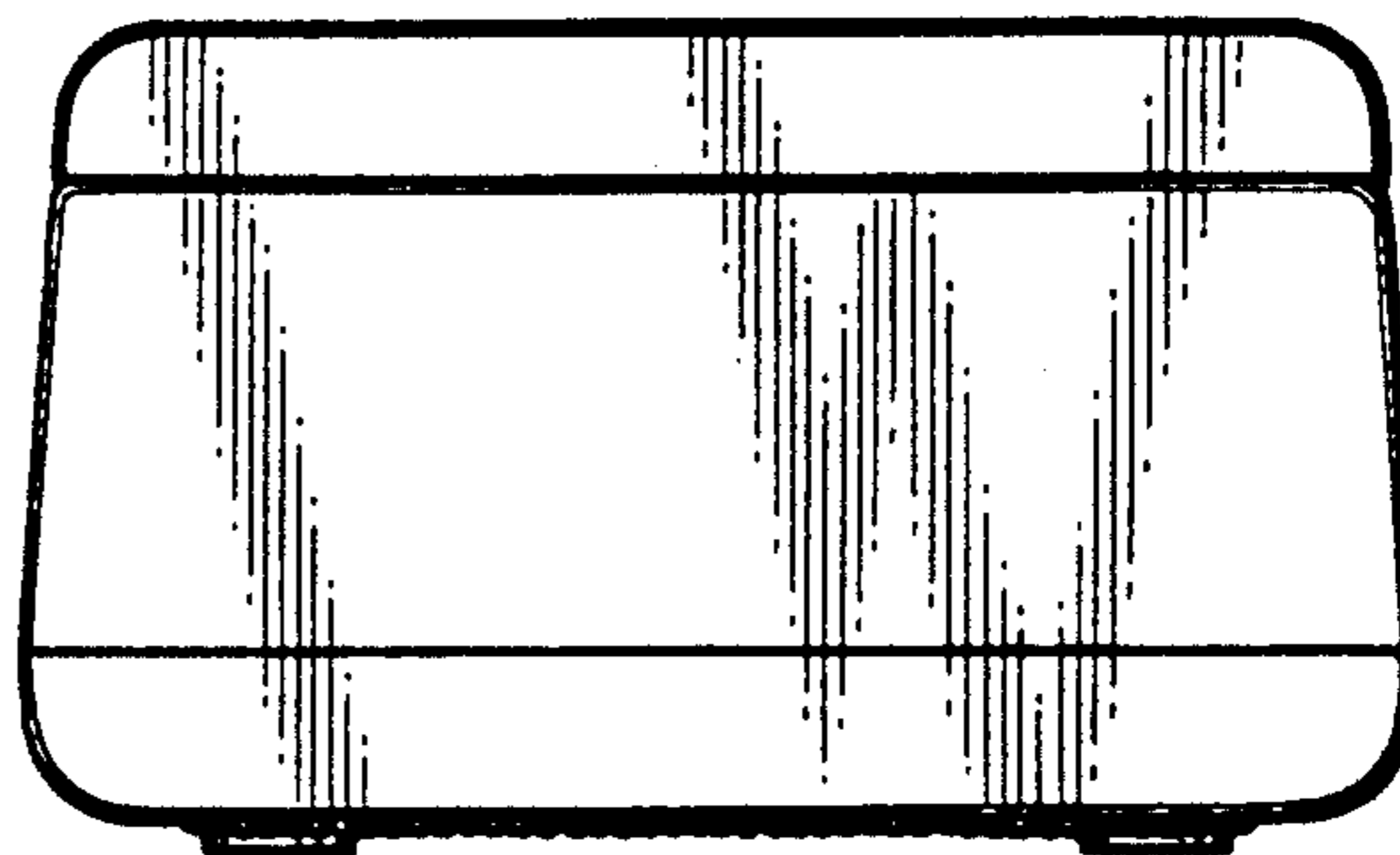
*Fig. 4*



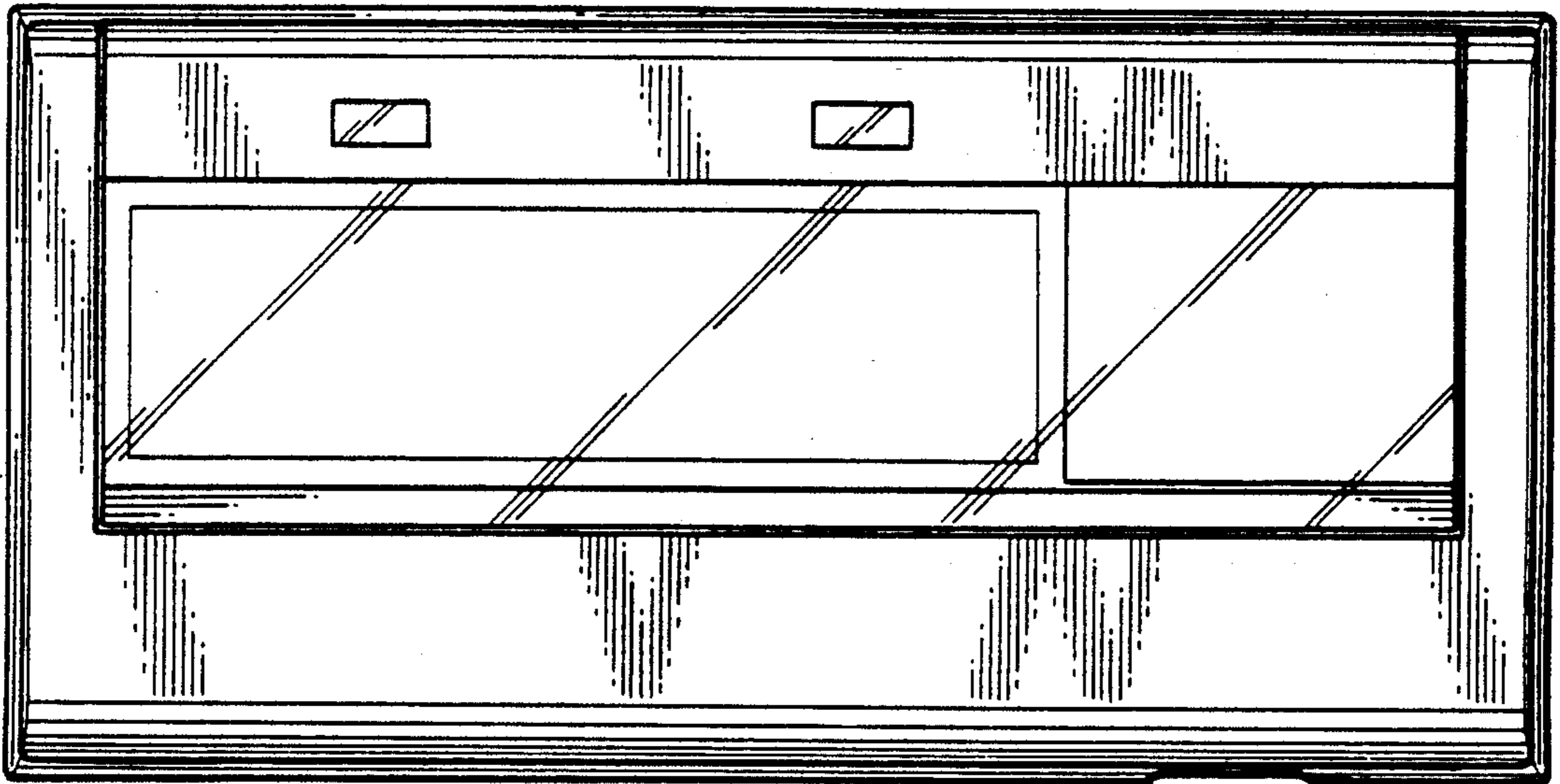
*Fig. 5*



*Fig. 6*



*Fig. 7*



*Fig. 8*

