

[54] **BICYCLE FRAME**

[76] **Inventor: Michael R. S. Browning**, 7, Belgrave Court, Blackwater, Camberley, Surrey, GU17 9JE, England

[**] **Term: 14 Years**

[21] **Appl. No.: 422,431**

[22] **Filed: Oct. 17, 1989**

[30] **Foreign Application Priority Data**

Sep. 29, 1989 [GB] United Kingdom 2001363
[52] **U.S. Cl. D12/111**
[58] **Field of Search D12/111; 280/281.1, 280/288.1, 288.2, 288.3, 284**

[56] **References Cited**

U.S. PATENT DOCUMENTS
4,746,136 5/1988 Kirk 280/281.1

OTHER PUBLICATIONS

American Bicyclist & Motorcyclist, Aug. 1989, p. 43, Asahi Mt. Bike.
American Bicyclist & Motorcyclist, Dec. 1988, p. 87, Model MX-Z, Kestral Graphite/Spectra Mt. Bike Uni-frame.
American Bicyclist & Motorcyclist, Sep./Oct. 1988, p. 105, Huffy Bicycle.
American Bicyclist & Motorcyclist, Jan. 1986, p. 16, Cinellis Sprung Laser Bicycle.

Primary Examiner—James M. Gandy
Assistant Examiner—Melody Brown
Attorney, Agent, or Firm—Volpe and Koenig

[57] **CLAIM**

The ornamental design for a bicycle frame, as shown.

DESCRIPTION

FIG. 1 is a side elevation view of a bicycle frame showing my new design;
FIG. 2 is a top plan view thereof;
FIG. 3 is a bottom plan view thereof;
FIG. 4 is a front elevation view thereof; and
FIG. 5 is a rear elevation view thereof.

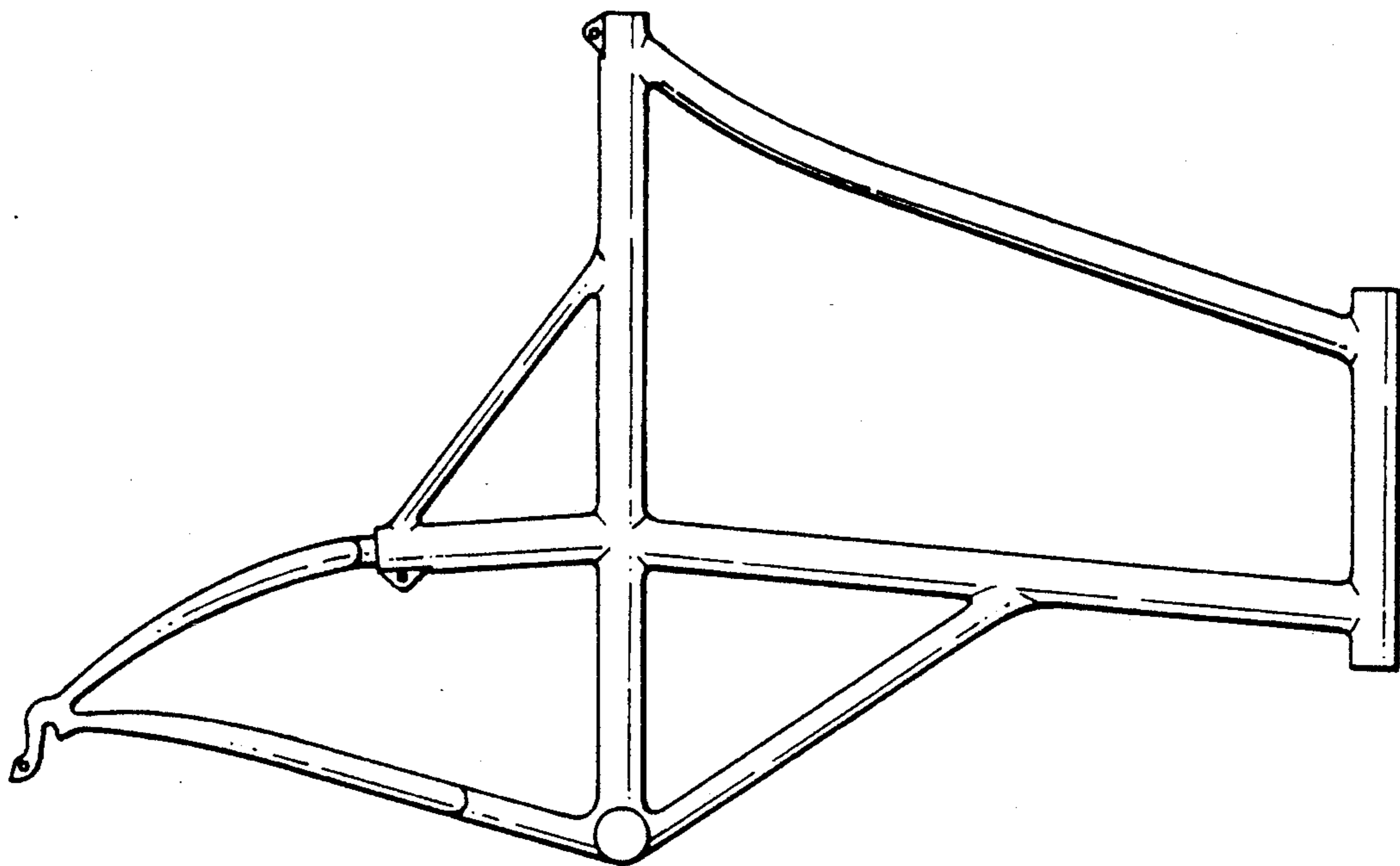


Fig. 1.

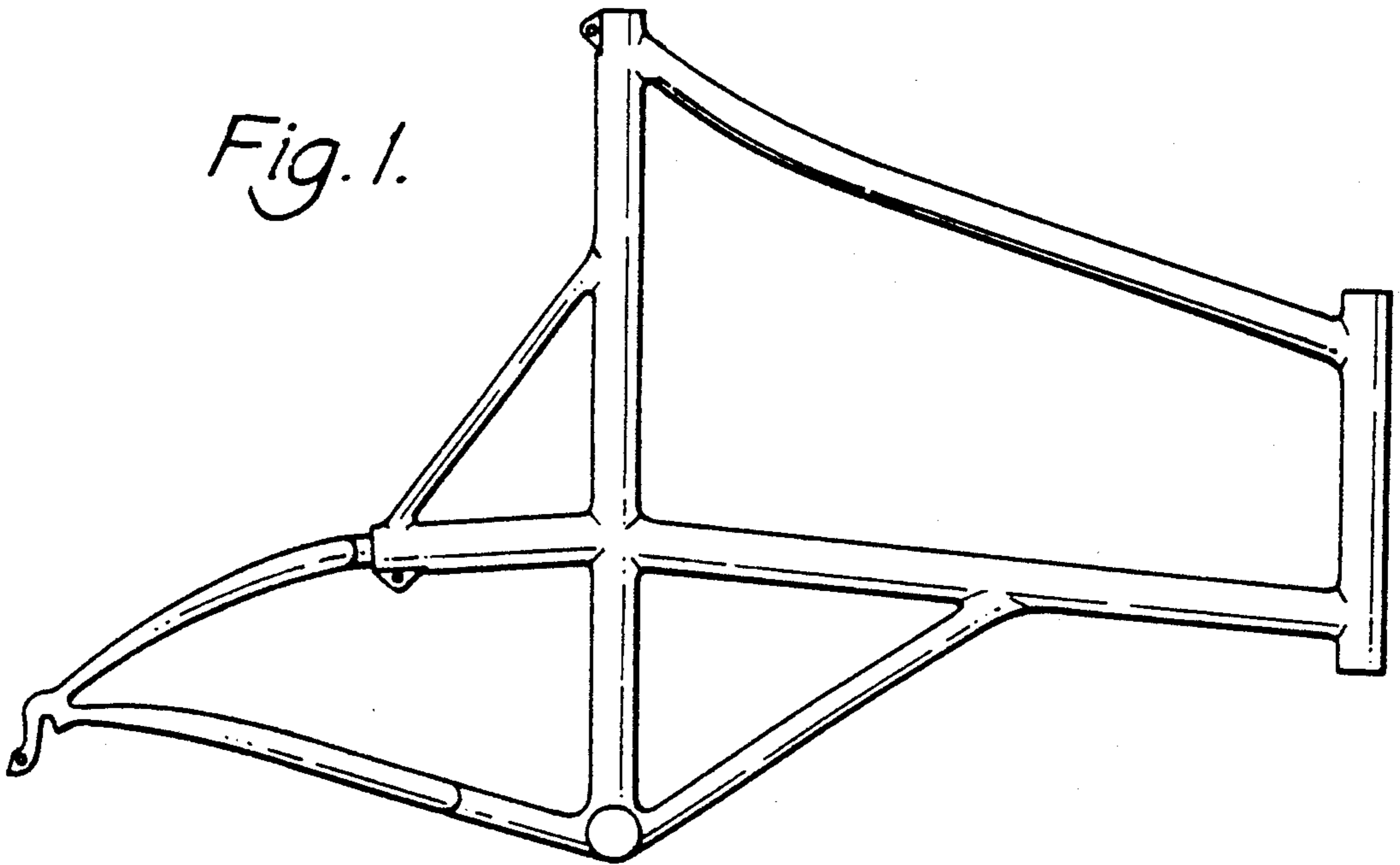


Fig. 2.

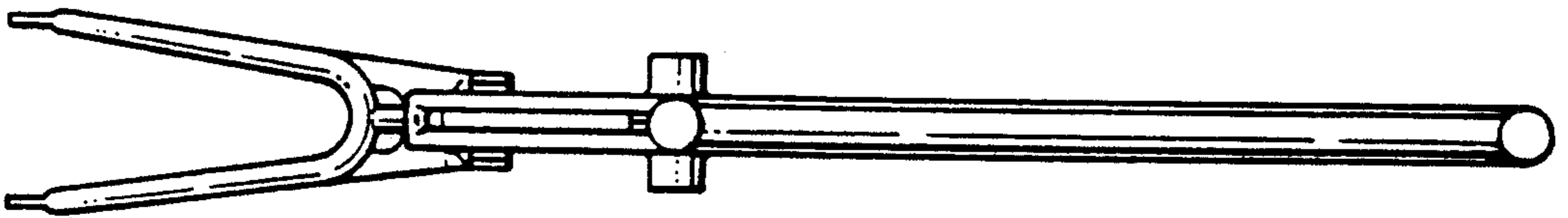


Fig. 3.

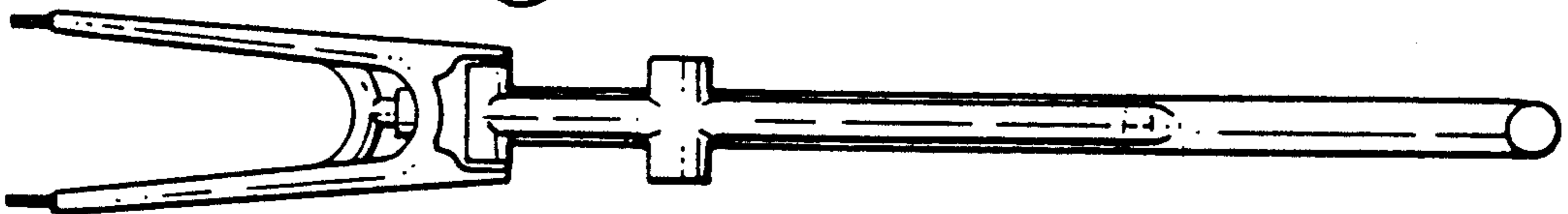


Fig. 4.

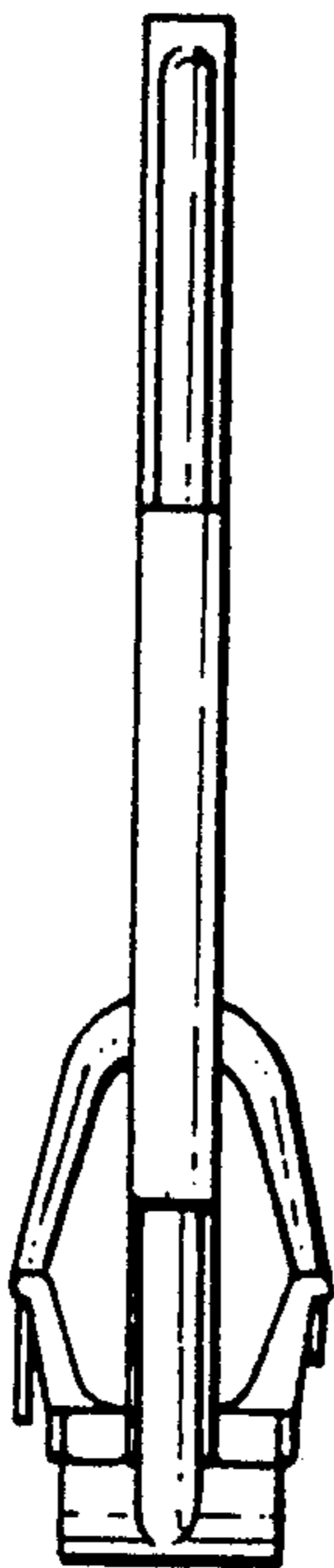


Fig. 5.

