

[54] BICYCLE FRAME
[76] Inventor: Hing Y. Tan, 826 W. Manchester Blvd., Inglewood, Calif. 90301
[**] Term: 14 Years
[21] Appl. No.: 349,126
[22] Filed: May 8, 1989
[52] U.S. Cl. D12/111
[58] Field of Search D12/111; 280/281.1, 280/288.1, 288.2, 288.3, 284

4,679,811 7/1987 Shuler 280/284

Primary Examiner—James M. Gandy
Assistant Examiner—Melody Brown
Attorney, Agent, or Firm—Edward E. Roberts

[57] CLAIM

The ornamental design for a bicycle frame, as shown and described.

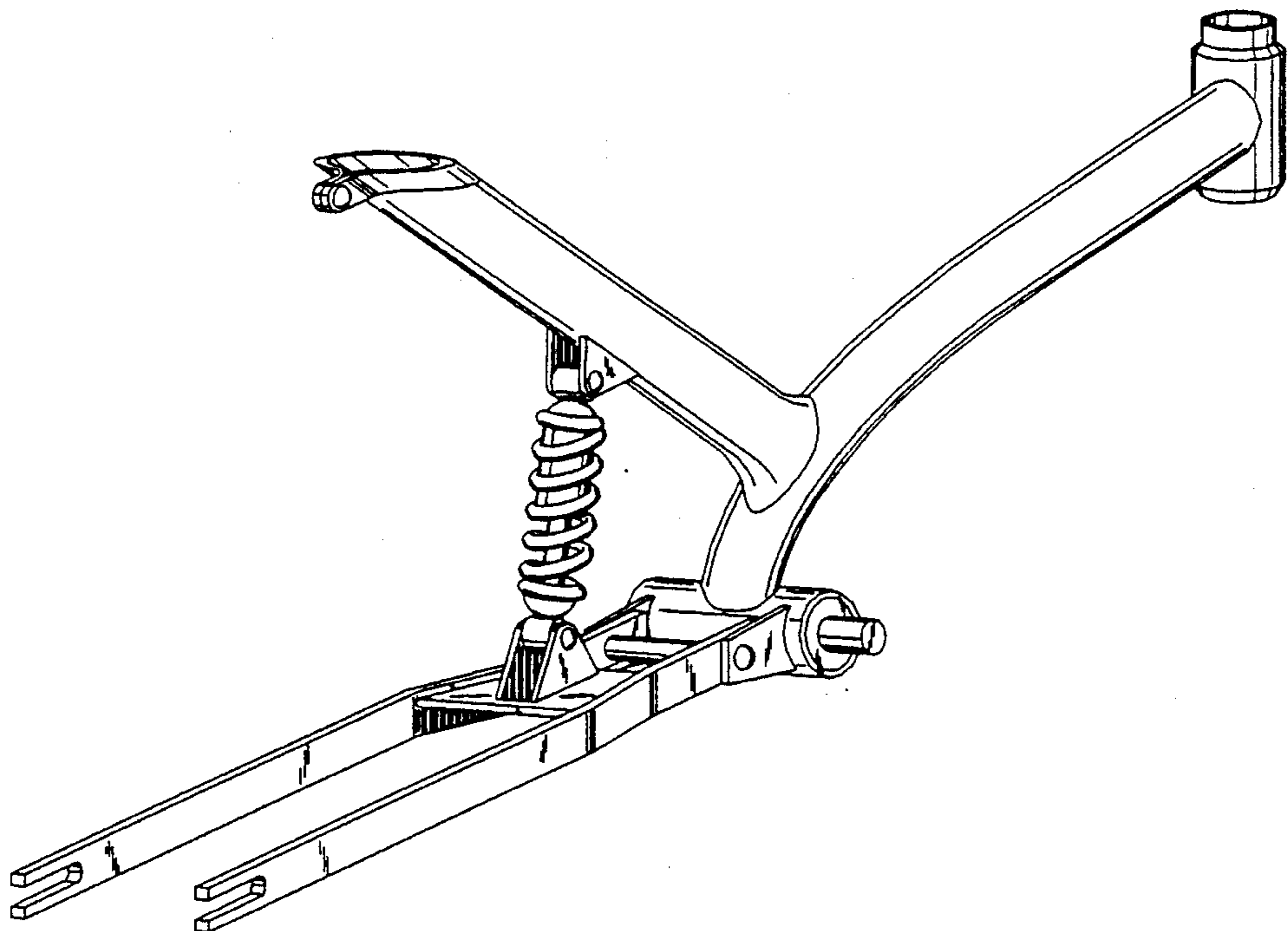
DESCRIPTION

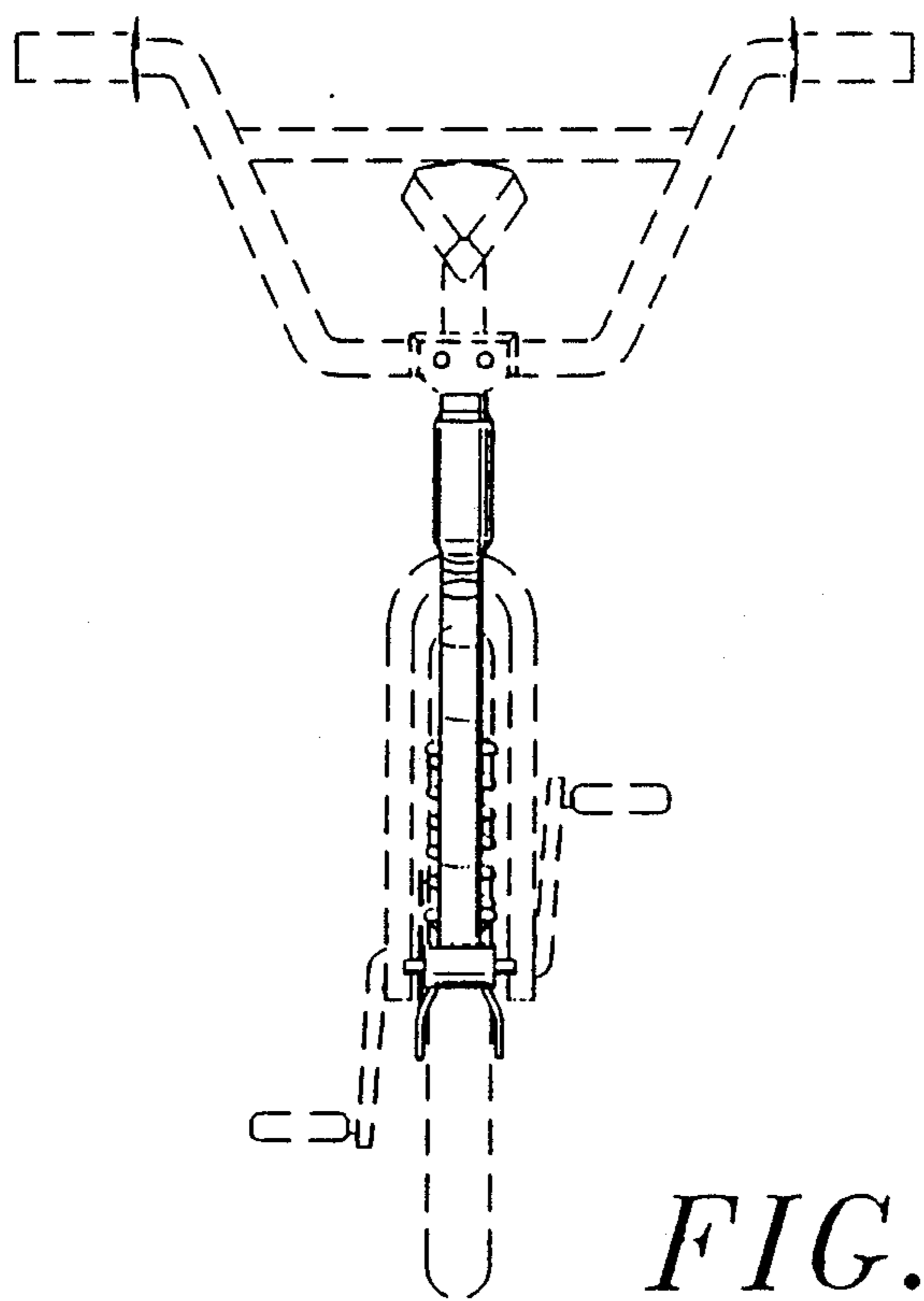
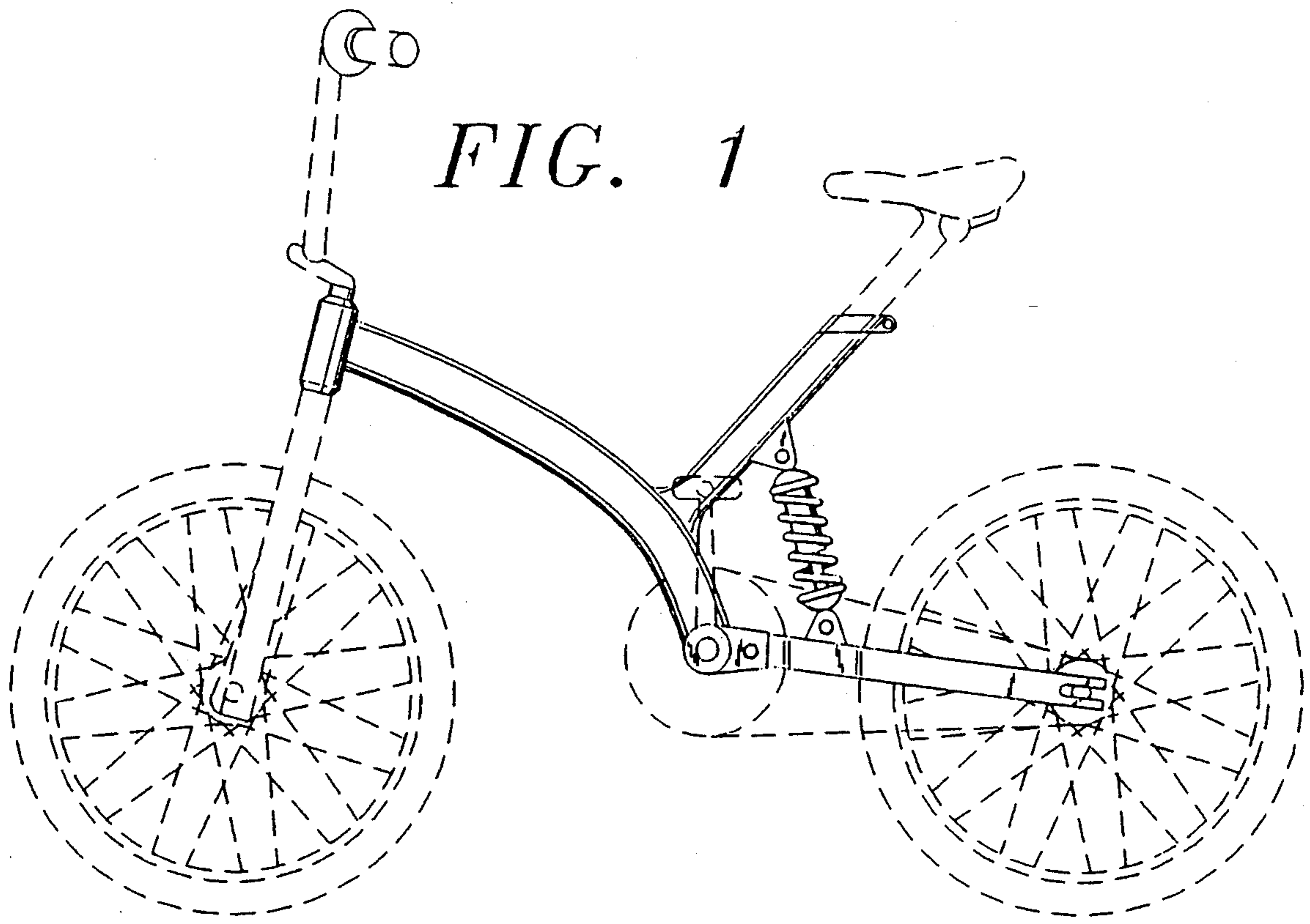
FIG. 1 is a side elevational view of a bicycle frame showing my new design;
FIG. 2 is a front elevational view thereof;
FIG. 3 is an enlarged left rear perspective view thereof; and
FIG. 4 is a bottom plan view of FIG. 3.
The broken lines in FIGS. 1 and 2 are for illustrative purposes only and form no part of the claimed design.

[56] References Cited

U.S. PATENT DOCUMENTS

3,931,990 1/1976 Knapp 280/281.1
4,322,088 3/1982 Muyakoshi et al. 280/284
4,421,337 12/1983 Pratt 280/284
4,673,053 6/1987 Tanaka et al. 280/284





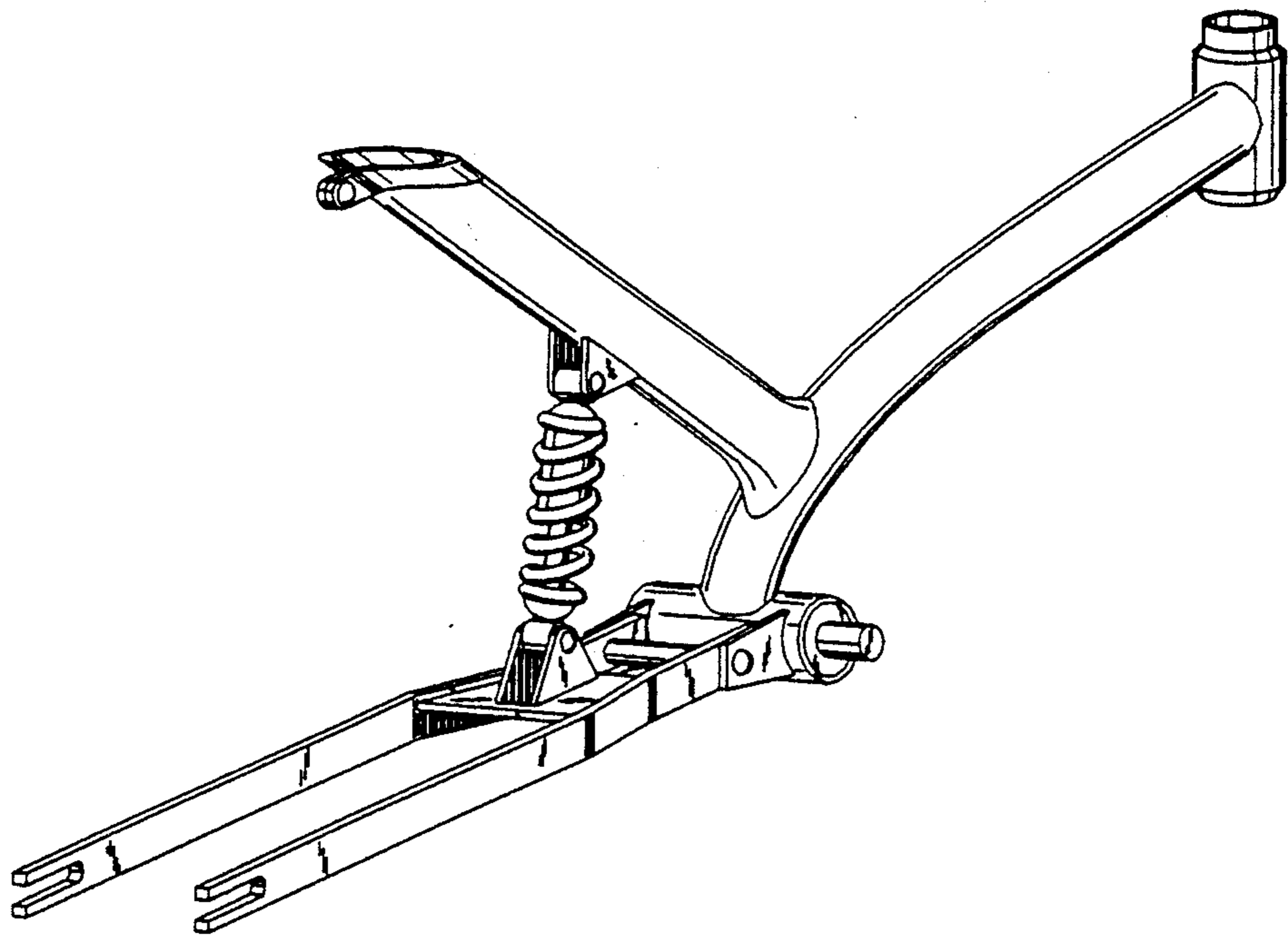


FIG. 3

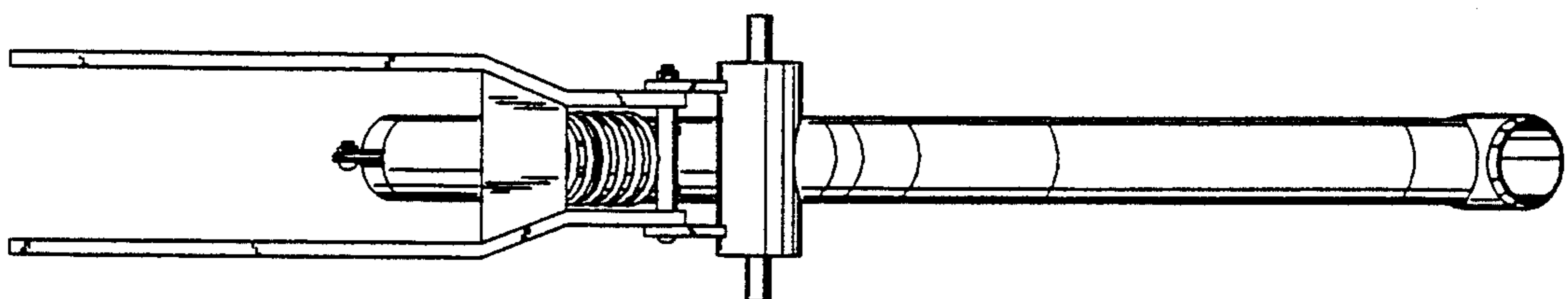


FIG. 4