

[54] **SLIDER FOR SLIDE FASTENER**

[75] **Inventor: Susumu Komuro, Kurobe, Japan**

[73] **Assignee: Yoshida Kogyo K. K., Tokyo, Japan**

[**] **Term: 14 Years**

[21] **Appl. No.: 410,508**

[22] **Filed: Sep. 21, 1989**

[52] **U.S. Cl. D11/221; D11/200**

[58] **Field of Search D11/200, 201, 221;
24/381-385, 415-417, 427-431; D3/61**

[56] **References Cited**

U.S. PATENT DOCUMENTS

D. 304,976	12/1989	Grossiord	D3/61
2,000,415	5/1935	Pannutti, Jr.	24/429
2,799,070	7/1957	Weber	D11/221
2,867,877	1/1959	Staller et al.	24/427

Primary Examiner—A. Hugo Word

Assistant Examiner—R. T. Seifert

Attorney, Agent, or Firm—Hill, Van Santen, Steadman & Simpson

[57] **CLAIM**

The ornamental design for a slider for slide fastener, as shown and described.

DESCRIPTION

FIG. 1 is a front elevational view of a slider for slide fastener showing my new design;

FIG. 2 is a rear elevational view;

FIG. 3 is a top plan view;

FIG. 4 is a bottom plan view;

FIG. 5 is a right side elevational view;

FIG. 6 is a sectional view taken along the lines 6—6 of

FIG. 1; and

FIG. 7 is a perspective view, the broken line showing of a pull tab is for illustrative purposes only and form no part of the claimed design.

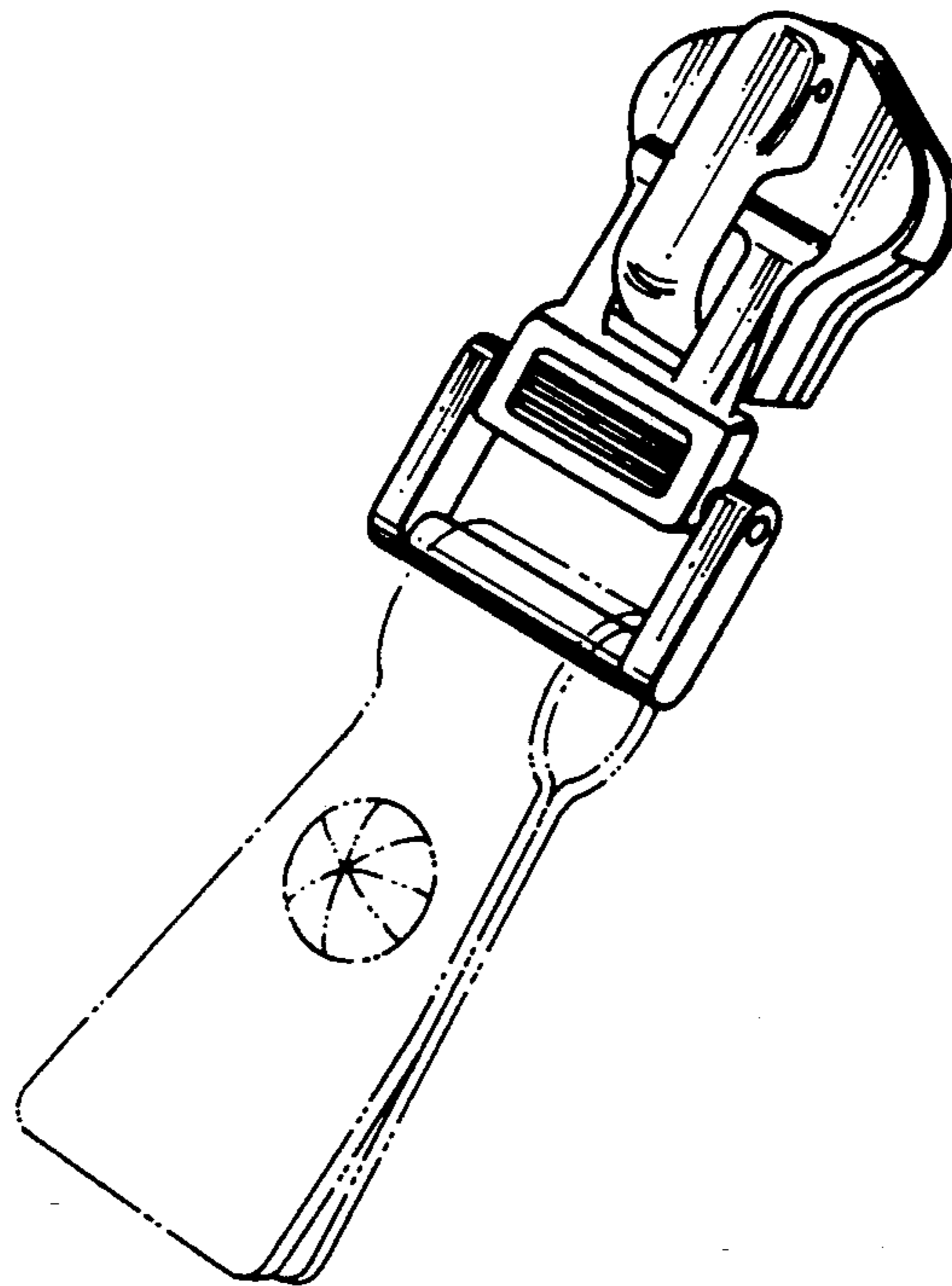


FIG. 1

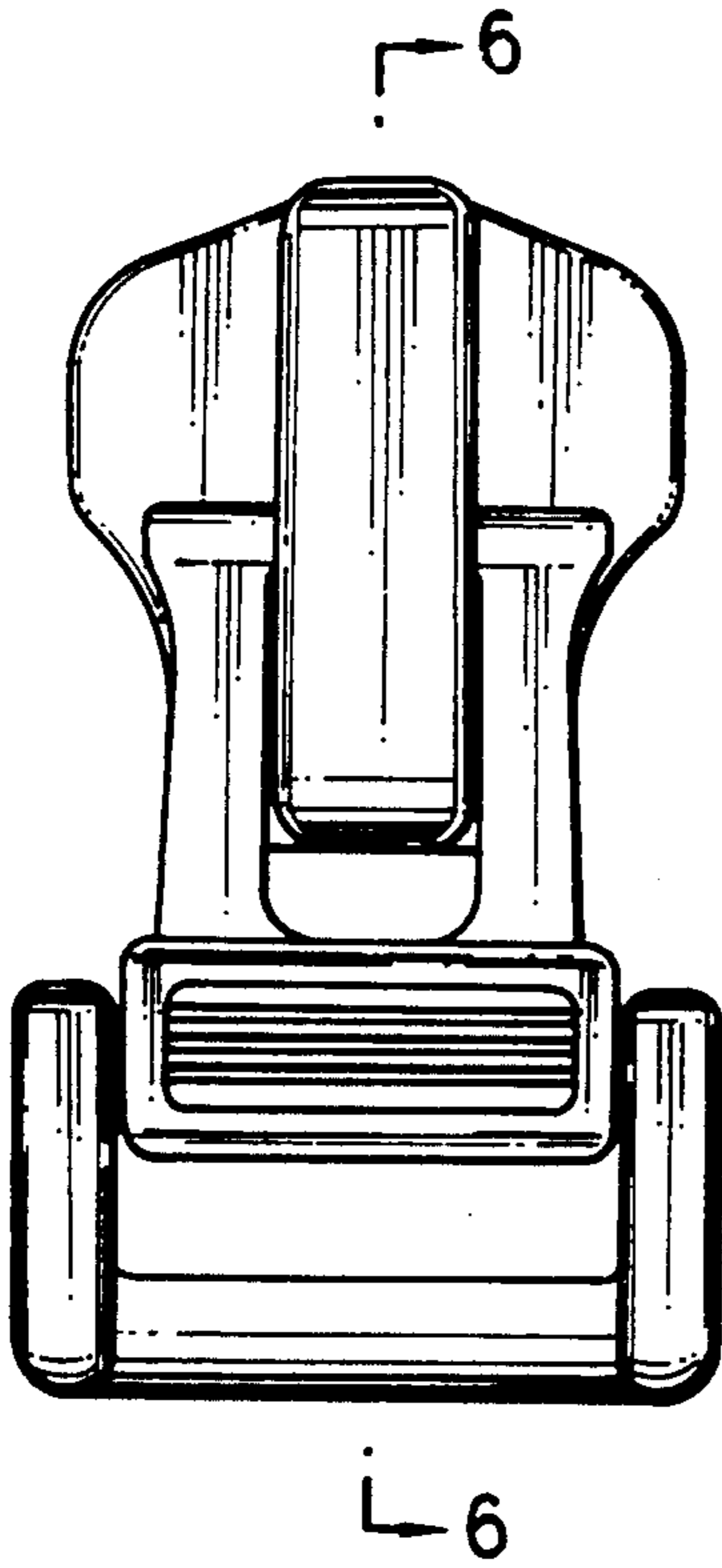


FIG. 2

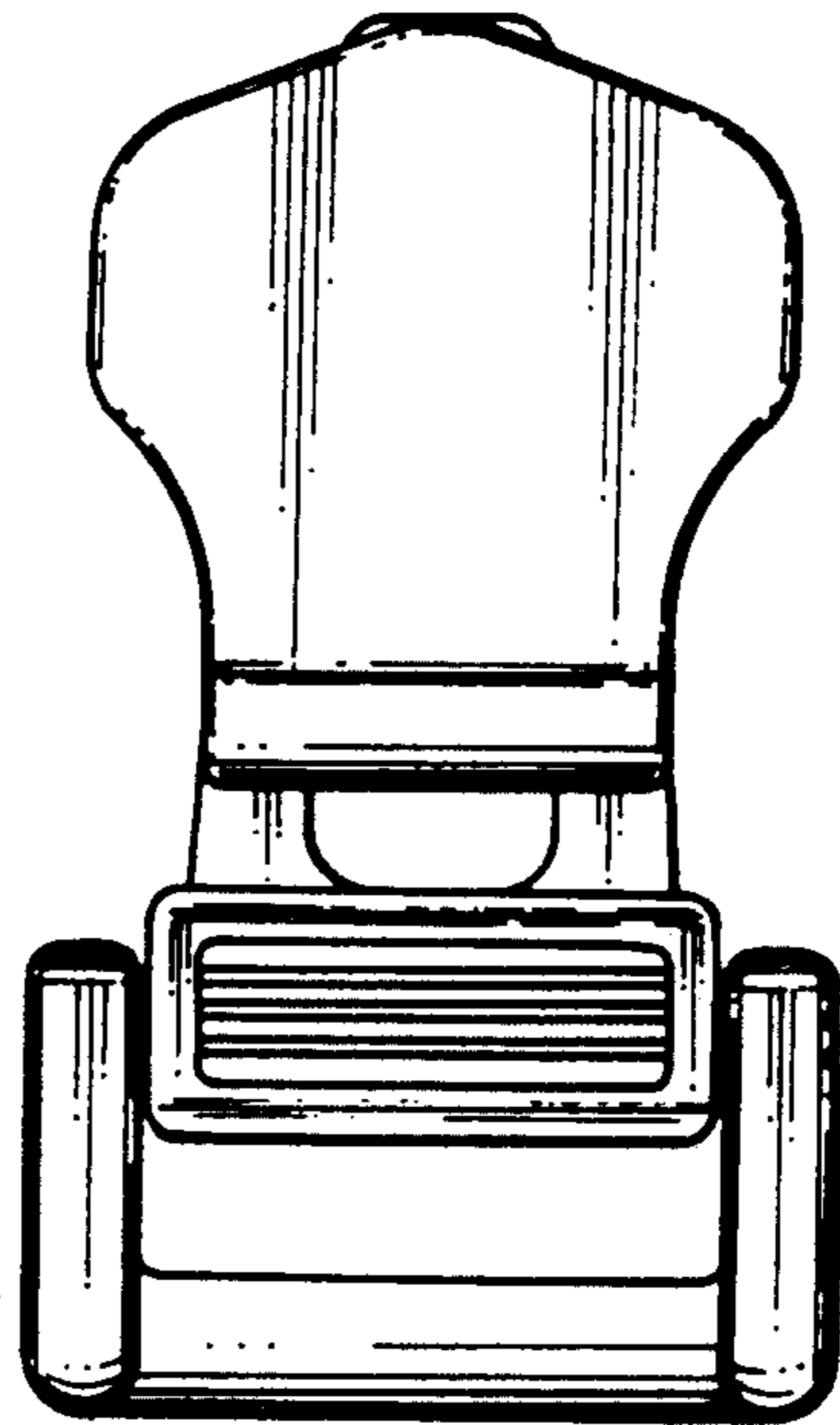


FIG. 3

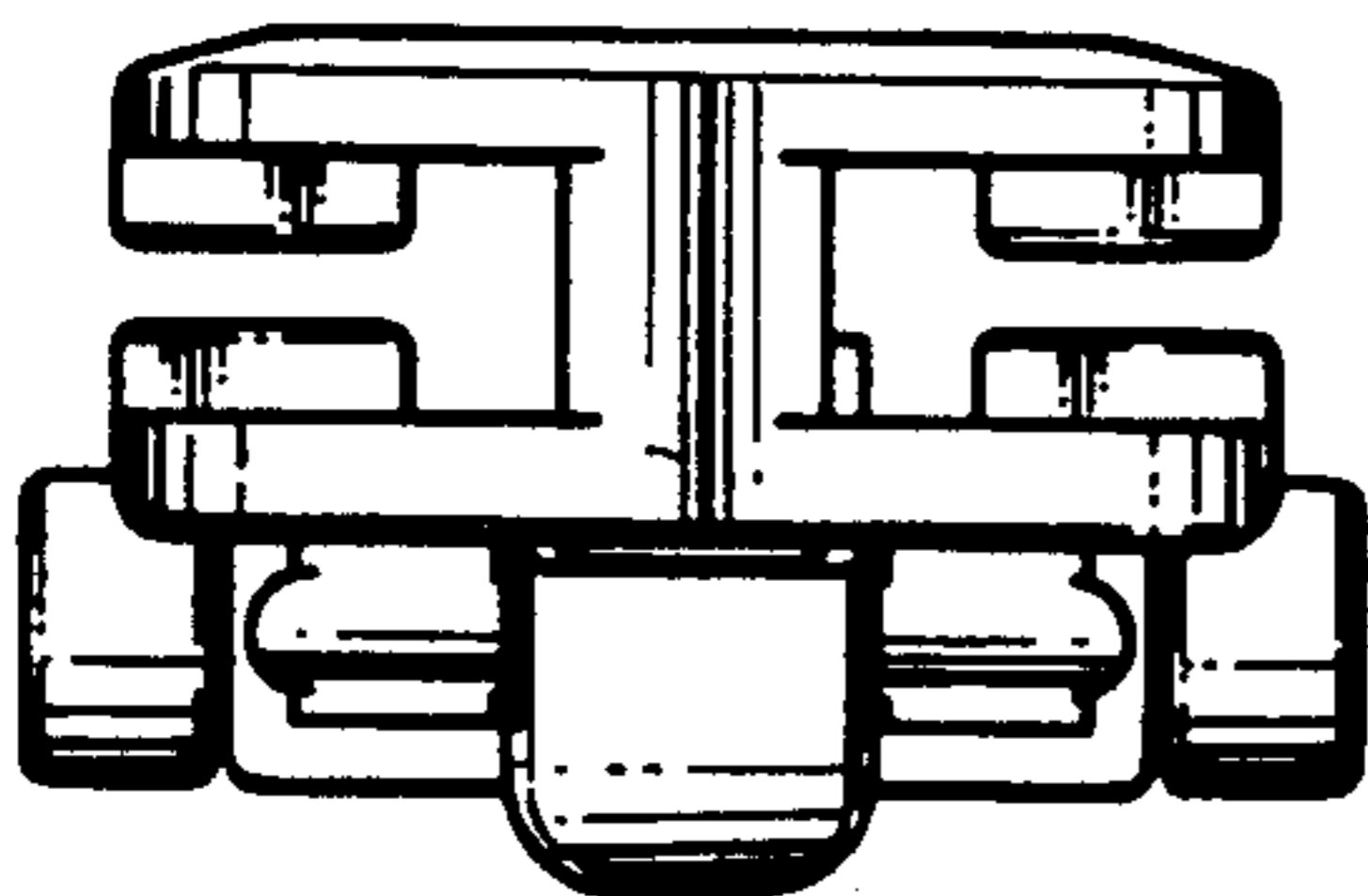


FIG. 4

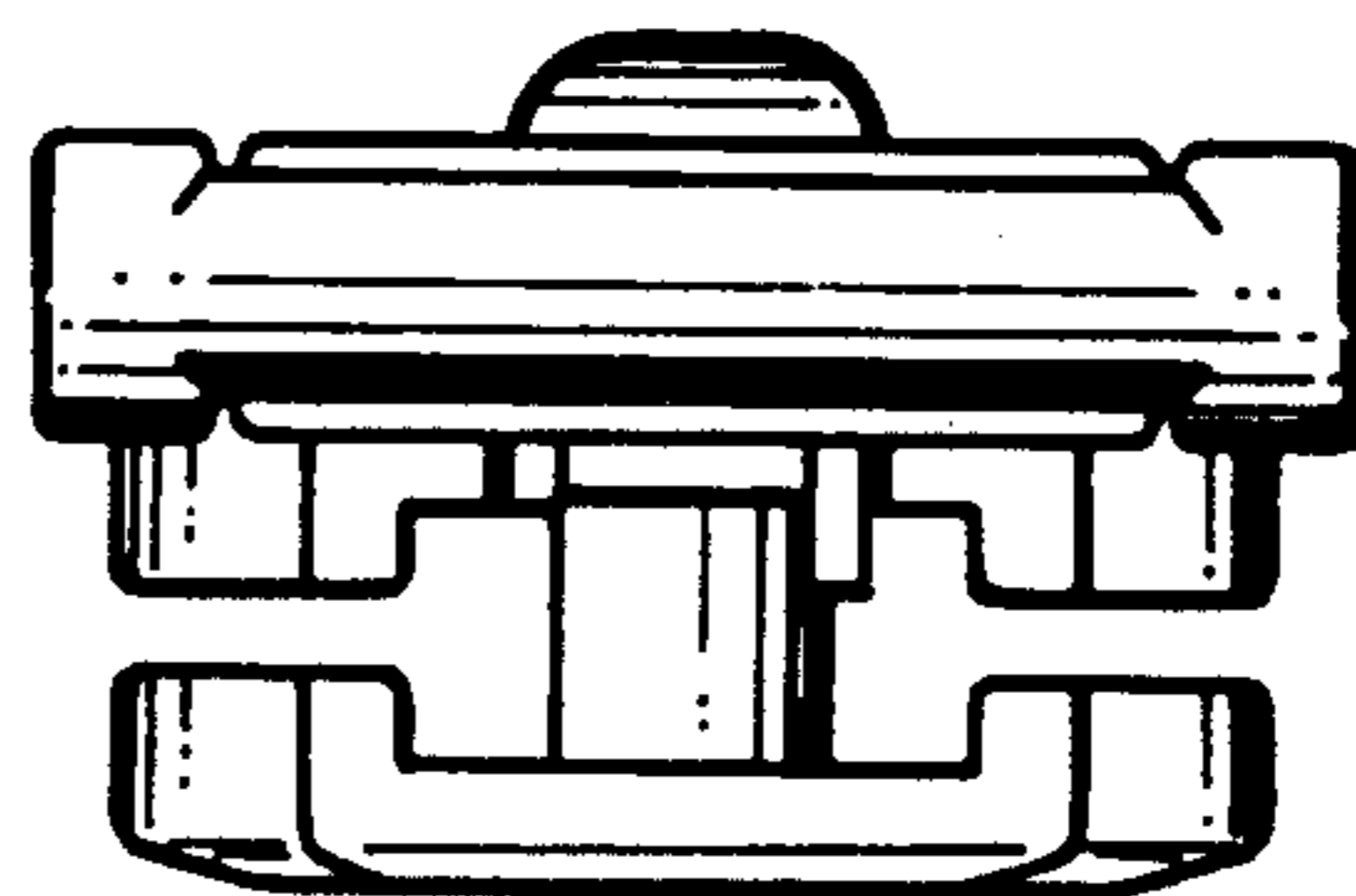


FIG. 5

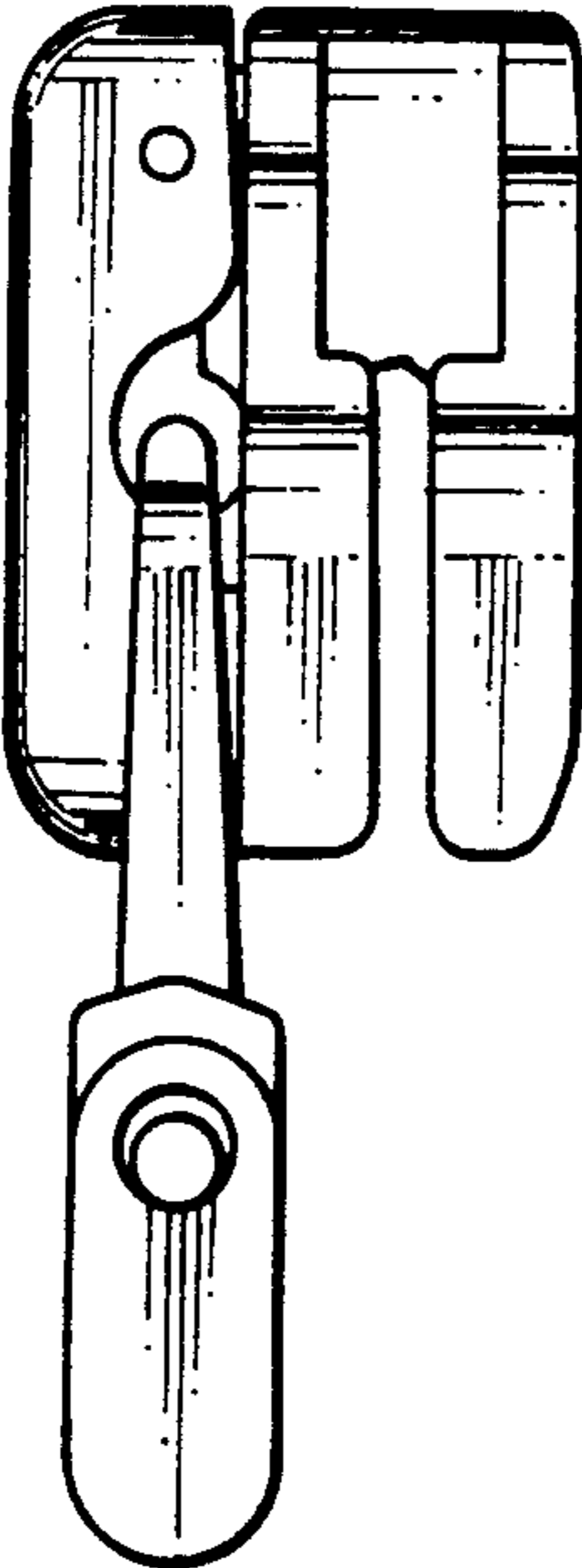


FIG. 6

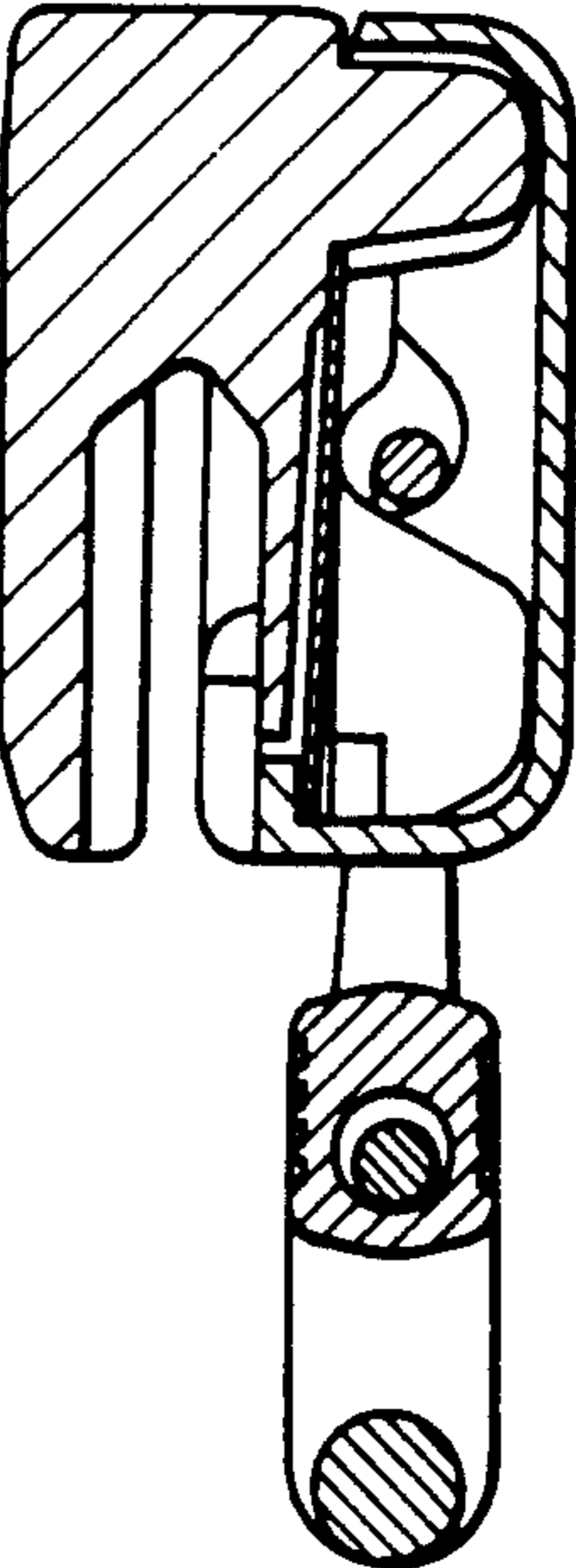


FIG. 7

