

[54] HOSE REEL CART

[75] Inventor: Sergio G. Simonetti, Westport, Conn.

[73] Assignee: Hunter-Melnor, Inc., Memphis, Tenn.

[**] Term: 14 Years

[21] Appl. No.: 508,916

[22] Filed: Apr. 12, 1990

[52] U.S. Cl. D8/359; D34/24

[58] Field of Search 242/86, 86.2, 56, 86.5 R, 242/106; D34/24; D22/137; 137/355.26, 355.2

[56] References Cited

U.S. PATENT DOCUMENTS

- Re. 32,510 9/1987 Tisbo et al. .
- D. 164,546 5/1951 Becker .
- D. 201,088 5/1965 Derrickson D34/24 X
- D. 224,615 8/1972 Kloefkorn .
- D. 238,749 2/1976 Back et al. .
- D. 285,901 9/1986 Gustavsson .
- D. 288,496 2/1987 Brownlie .
- D. 288,773 3/1987 Ward .
- D. 294,456 3/1988 Nelson .
- D. 297,302 8/1988 Nelson .
- D. 299,618 1/1989 Drought et al. .
- 314,185 3/1885 Knowlton .
- 2,608,360 8/1952 Cootware .
- 2,636,747 4/1953 Blackmond .
- 2,755,035 4/1954 Moulder .
- 3,456,959 7/1969 Hemphill et al. .
- 3,536,275 3/1969 Salomon .
- 4,228,553 10/1980 Genuit .
- 4,768,546 9/1988 Brusadin et al. 242/86 X

4,777,976 10/1988 Johnston et al. .
5,007,598 4/1991 Spear et al. 242/86 X

FOREIGN PATENT DOCUMENTS

2415596 9/1979 France 137/355.26

OTHER PUBLICATIONS

Clapper's Spring Garden Catalog, 1989, p. 33, garden hose trolley, item B, right hand side.

Clapper's Summer Garden Catalog, Jun. 2, 1987, p. 25, hose trolley, item B on right hand side.

Brookstone, Spring 1987, p. 48, garden hose reel, item A, upper right hand corner.

Primary Examiner—Wallace R. Burke

Assistant Examiner—H. Baynham

Attorney, Agent, or Firm—Heiskell, Donelson, Bearman, Adams, Williams & Kirsch

[57] CLAIM

The ornamental design for a hose reel cart, as shown and described.

DESCRIPTION

FIG. 1 is a perspective view of a hose reel cart showing my new design;

FIG. 2 is a left side elevational view thereof;

FIG. 3 is a top plan view thereof;

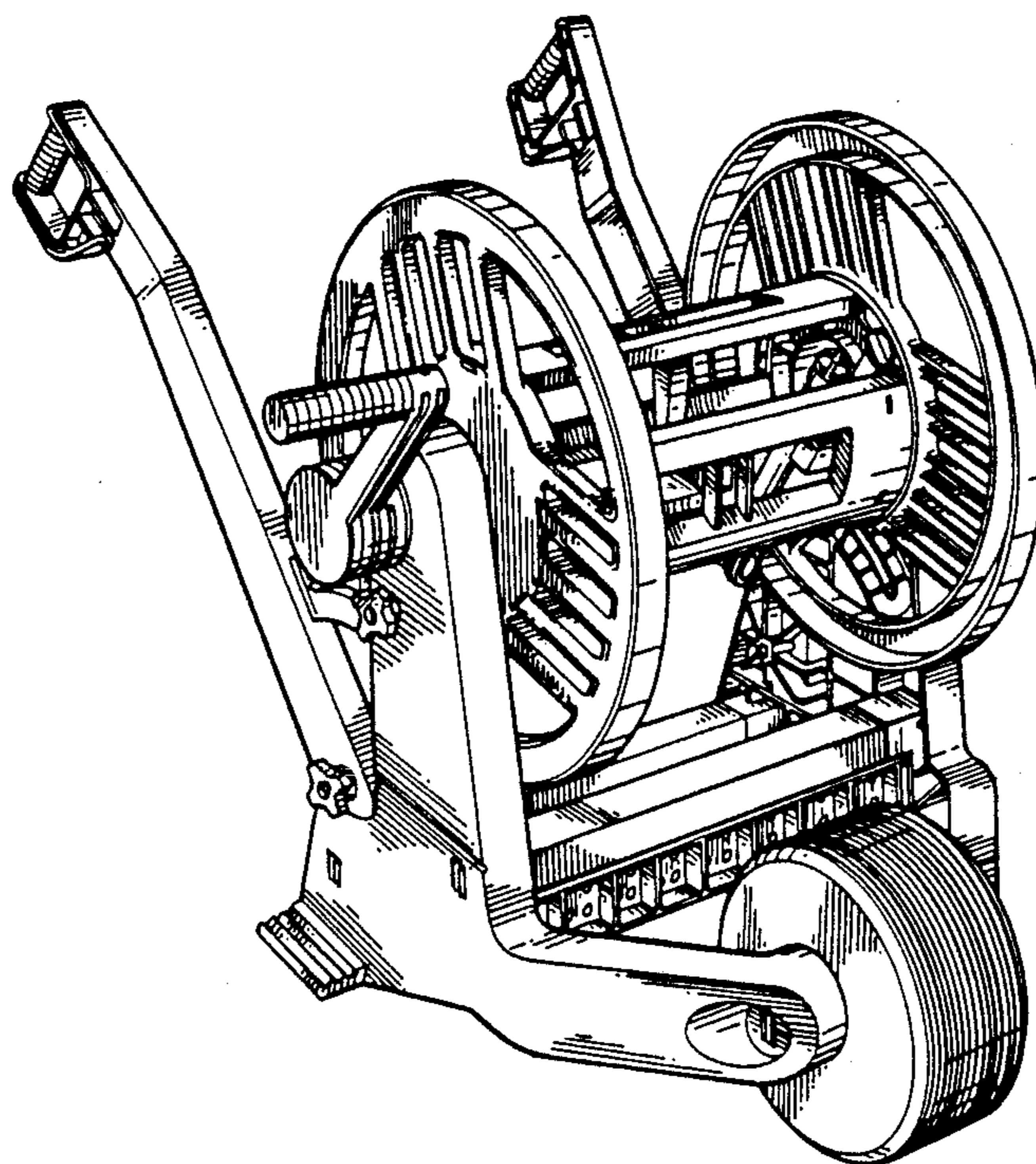
FIG. 4 is a left side elevational view thereof with the handle in a raised position;

FIG. 5 is a right side elevational view thereof;

FIG. 6 is a rear elevational view thereof; and

FIG. 7 is a bottom plan view thereof.

The broken line showing of a hose in FIG. 6 is for illustrative purposes only and forms no part of the claimed design.



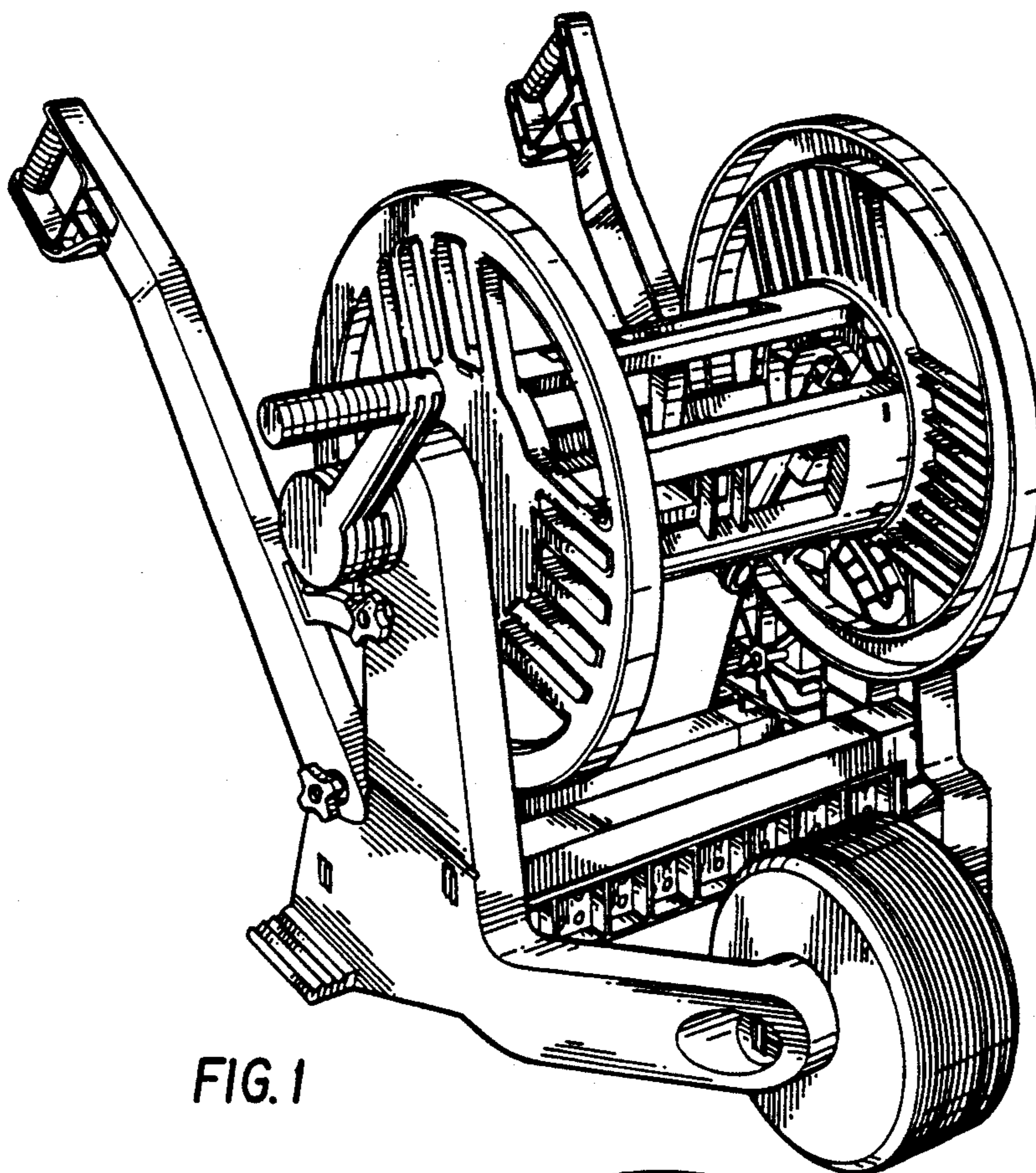


FIG. 1

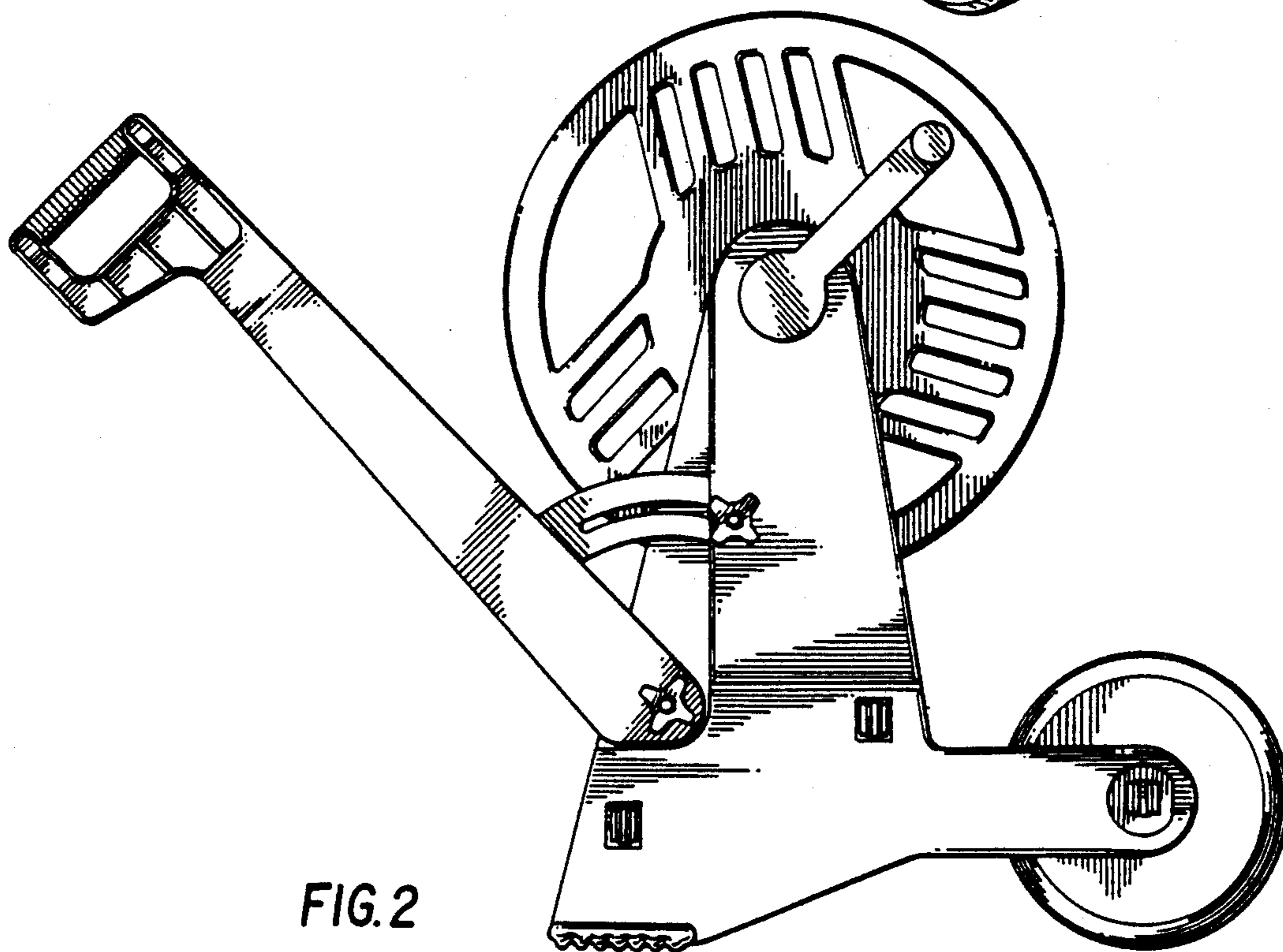


FIG. 2

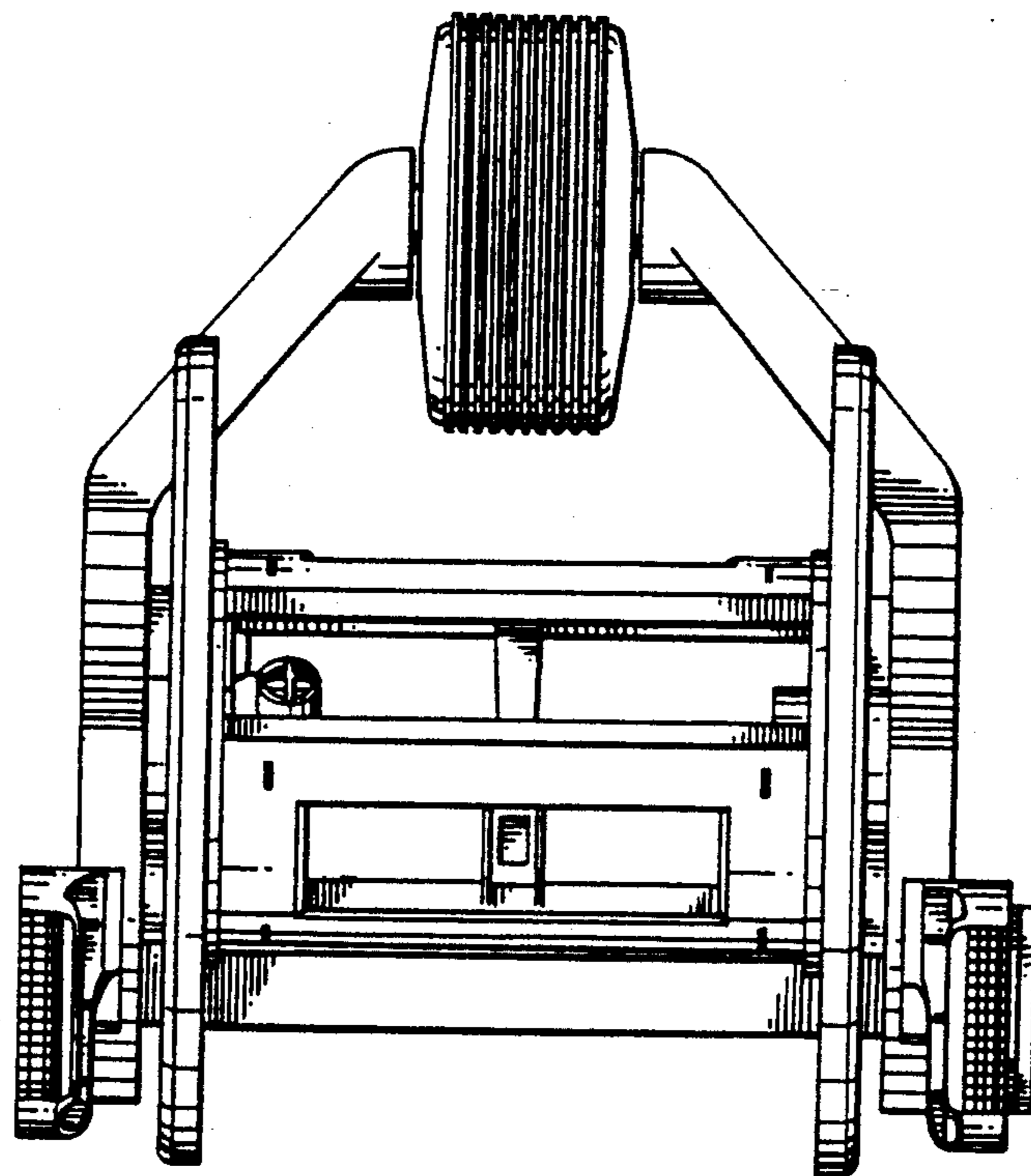


FIG. 3

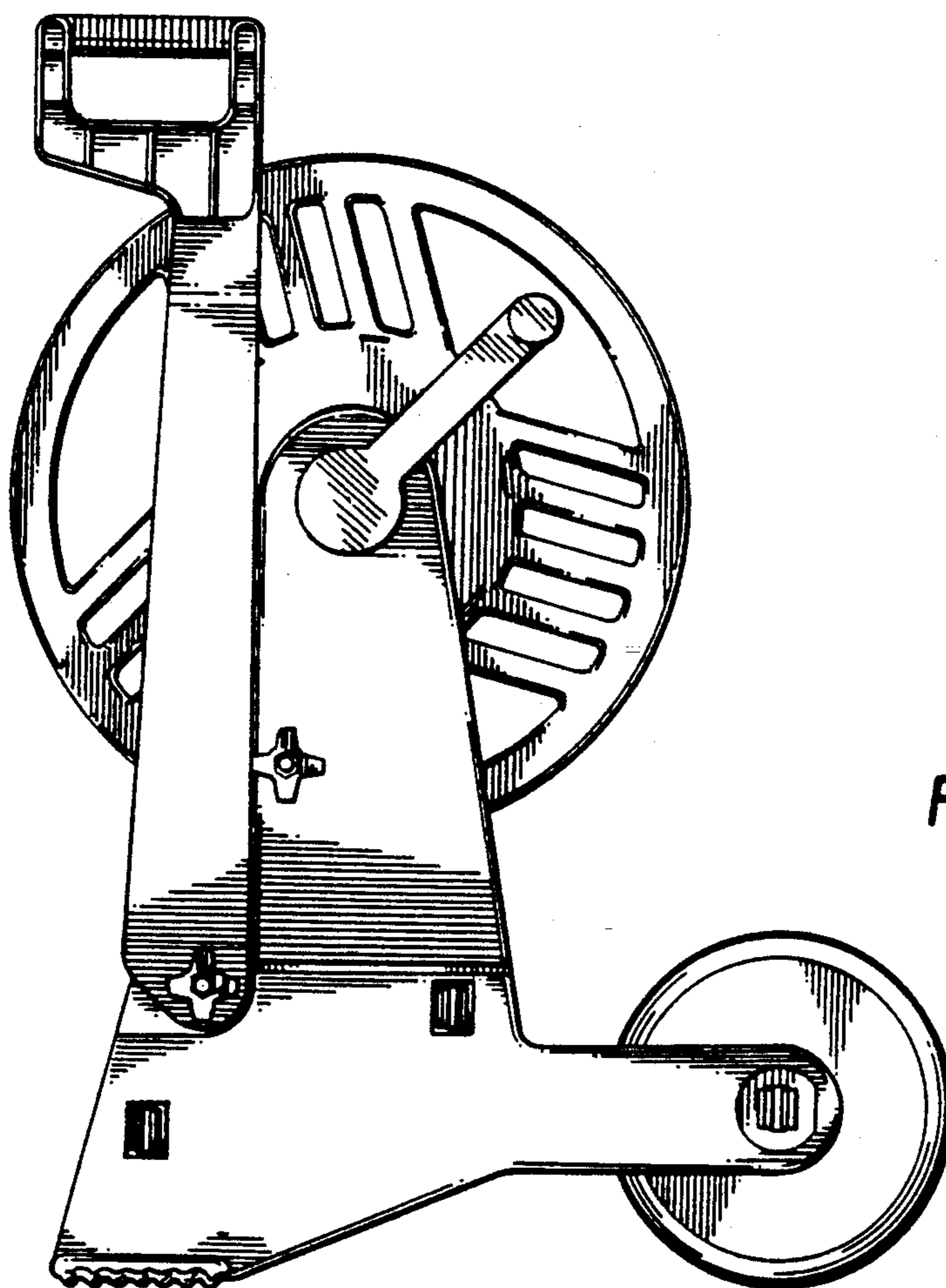


FIG. 4

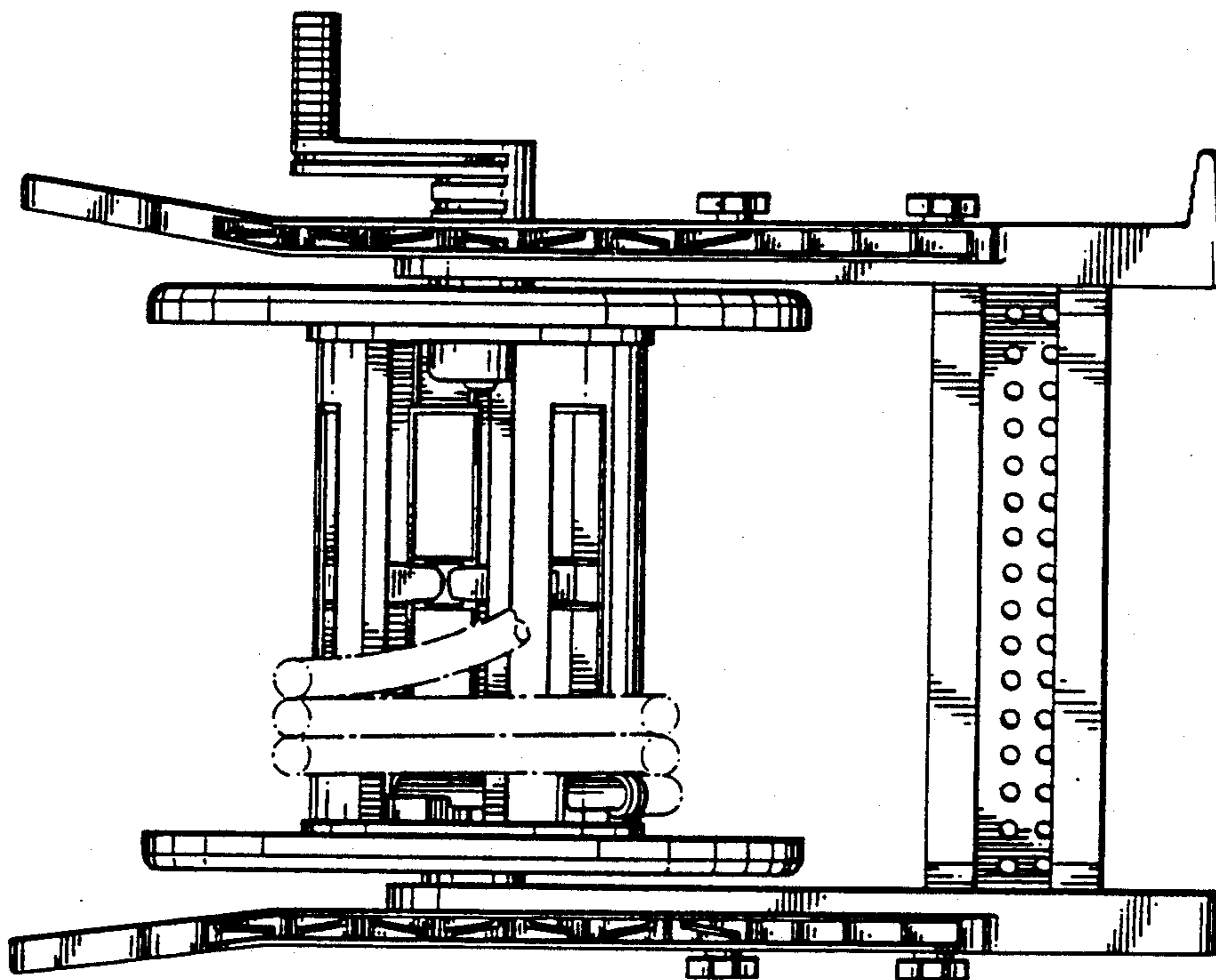


FIG. 6

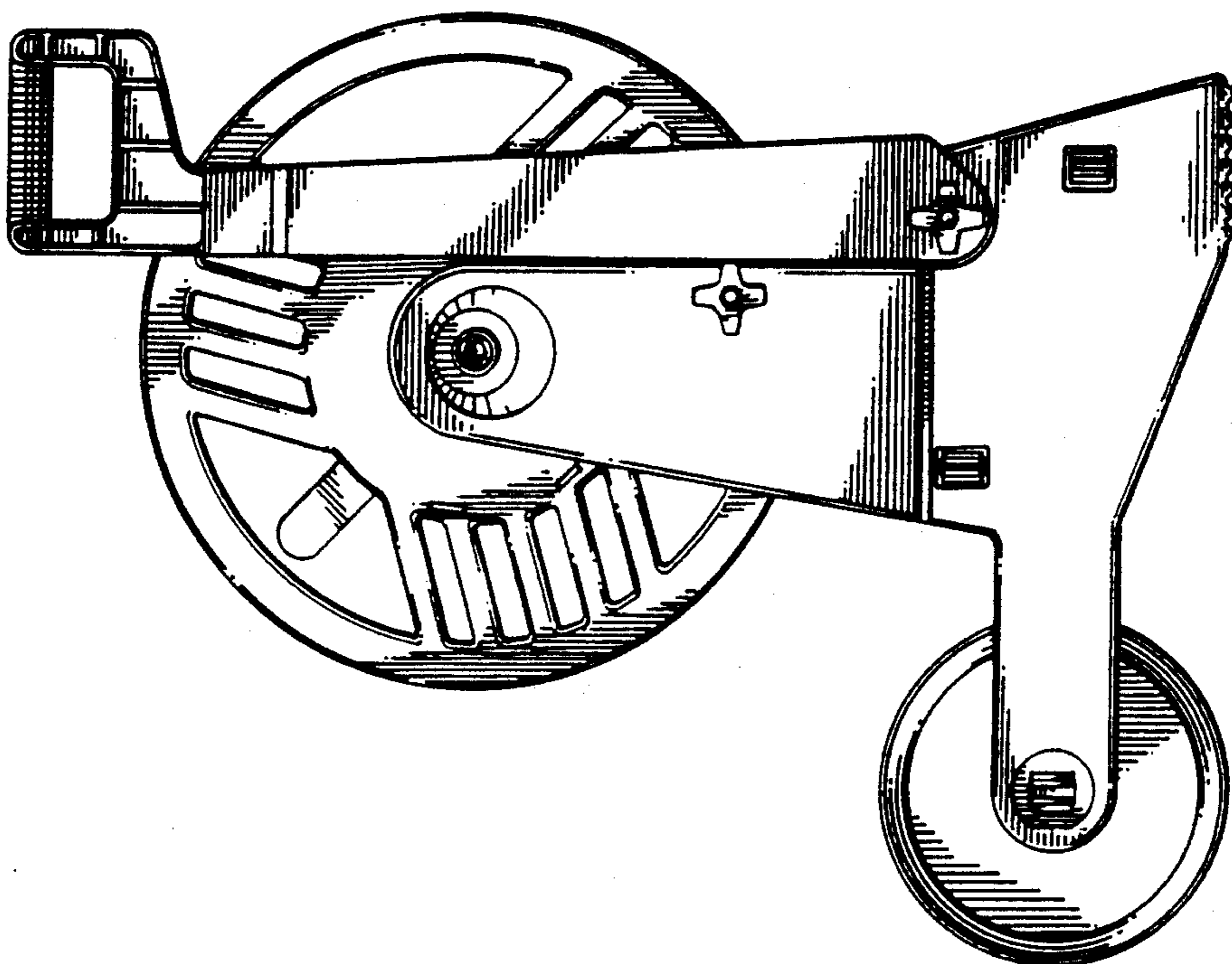


FIG. 5

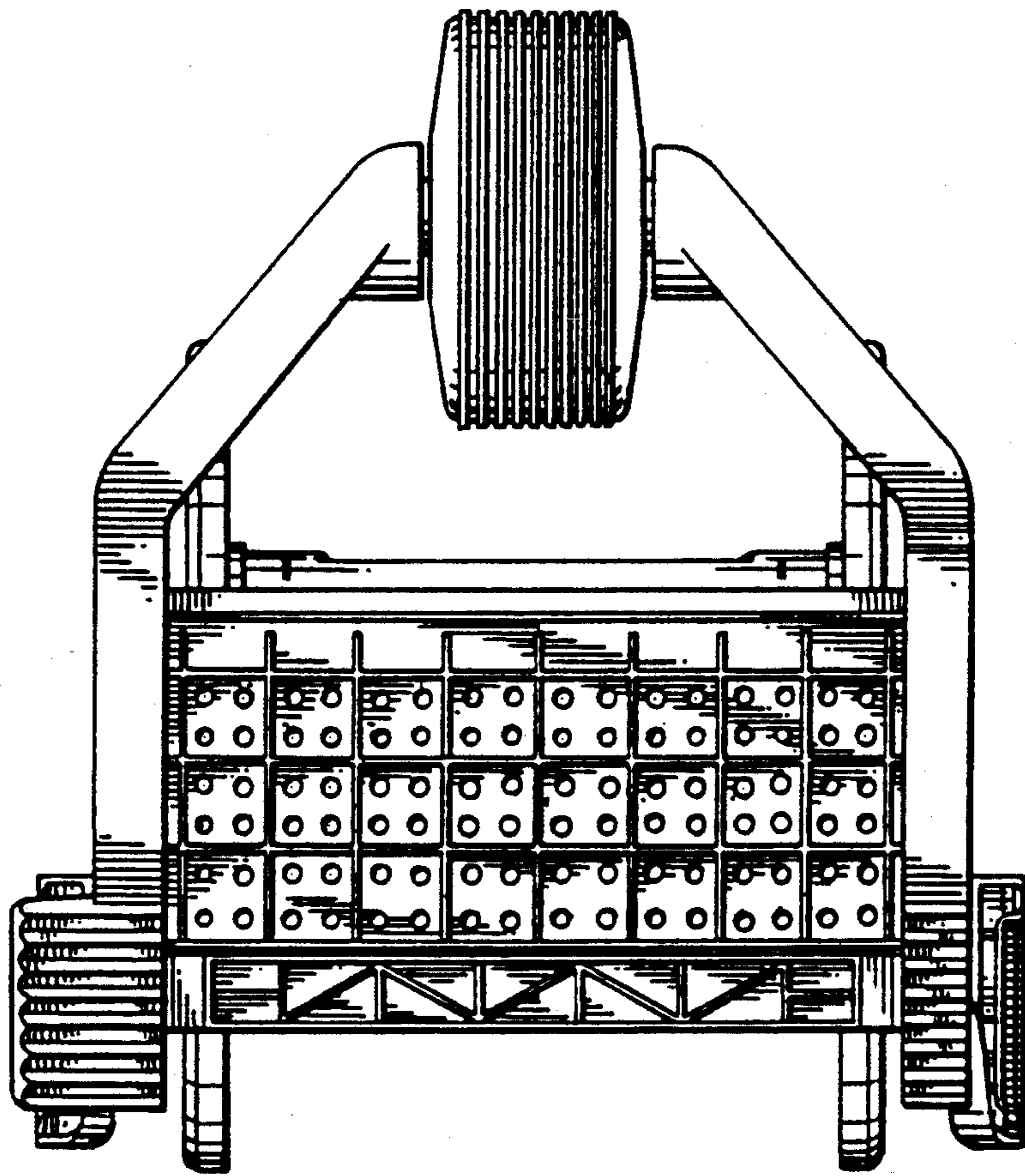


FIG. 7