

[54] STARTER LOCK FOR JET OR WATER SKIS

Attorney, Agent, or Firm—Neuman, Williams, Anderson & Olson

[76] Inventor: Richard W. Donalies, 1545 Newcastle La., Hoffman Estates, Ill. 60194

[57] CLAIM

[\*\*] Term: 14 Years

The ornamental design for a starter lock for jet or water skis, as shown and described.

[21] Appl. No.: 310,709

DESCRIPTION

[22] Filed: Feb. 14, 1989

[52] U.S. Cl. .... D8/346

FIG. 1 is a top, rear, and right side perspective view of a starter lock for jet or water skis showing my new design;

[58] Field of Search ..... D8/330-331, D8/346; 70/57-58, 14, 242-243, 245, 252; 292/289

FIG. 2 is a top, front, and right side perspective view thereof;

[56] References Cited

U.S. PATENT DOCUMENTS

- 4,693,096 9/1987 Mercer ..... 70/58 X
- 4,777,809 10/1988 Wiggins ..... 70/57

FIG. 3 is an enlarged top plan view thereof, the bottom being a mirror image of that shown;

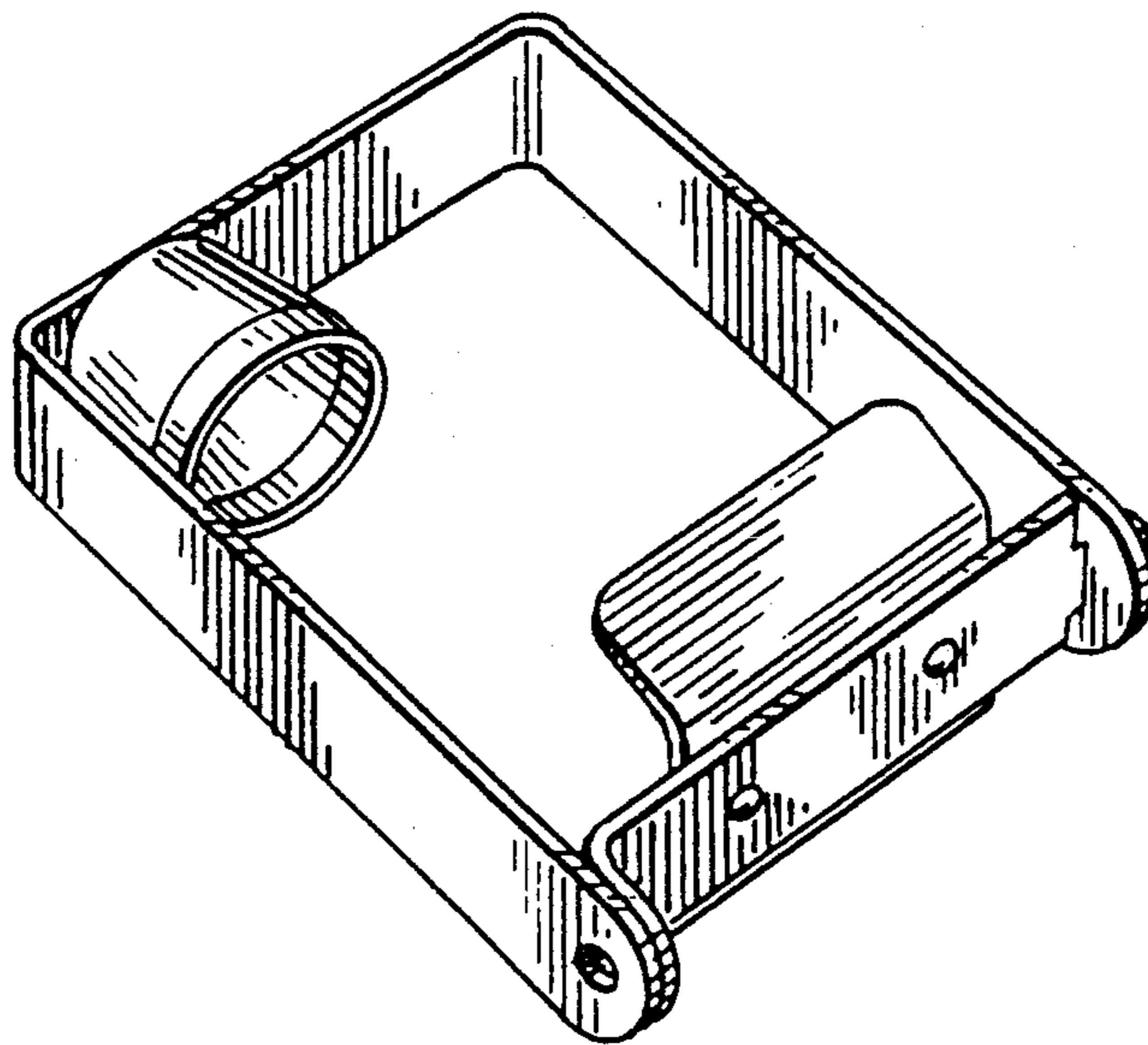
FIG. 4 is an enlarged rear elevational view thereof;

FIG. 5 is an enlarged front elevational view thereof;

FIG. 6 is an enlarged right side elevational view thereof; and,

FIG. 7 is an enlarged left side elevational view thereof.

Primary Examiner—Brian N. Vinson



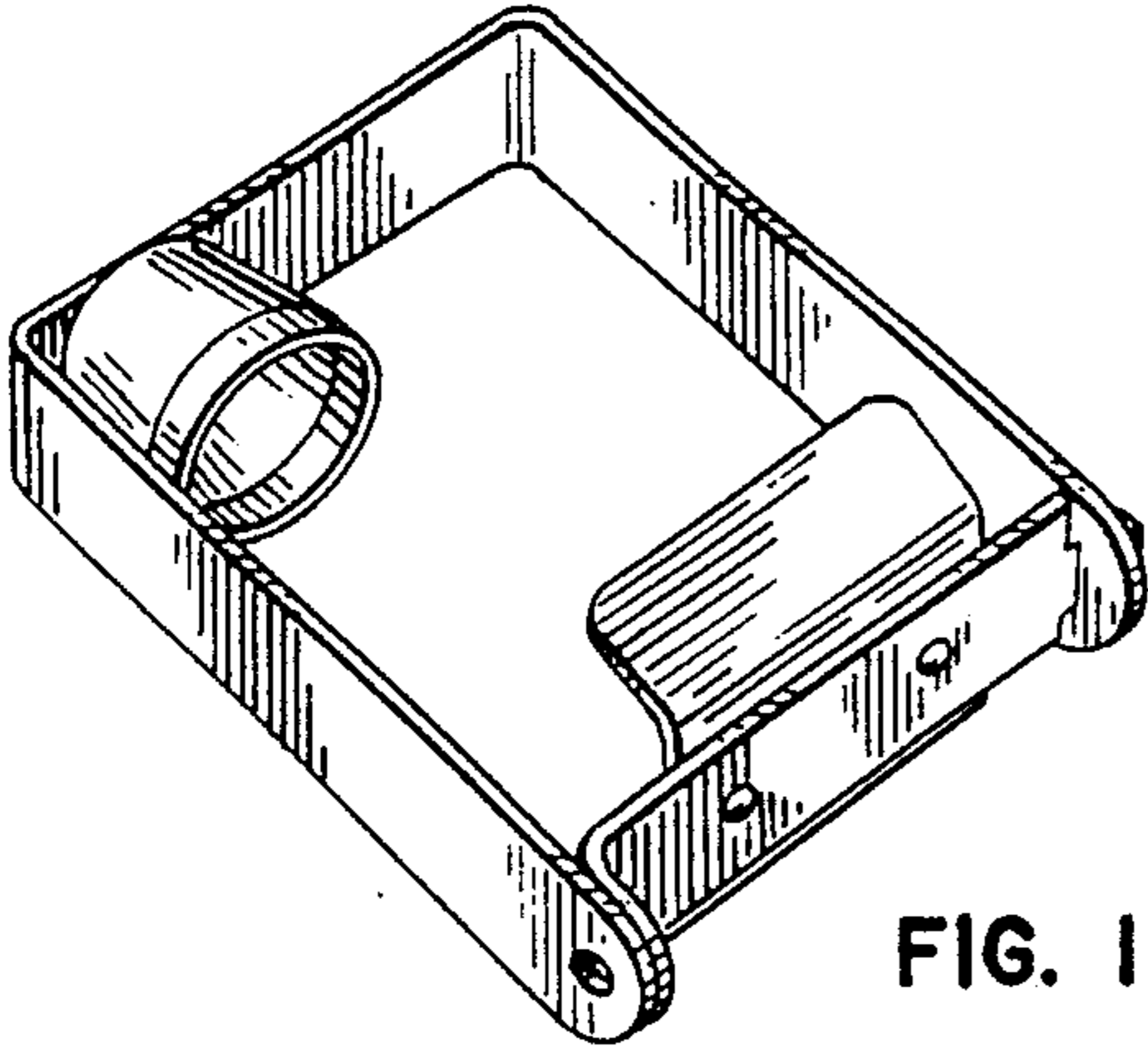


FIG. 1

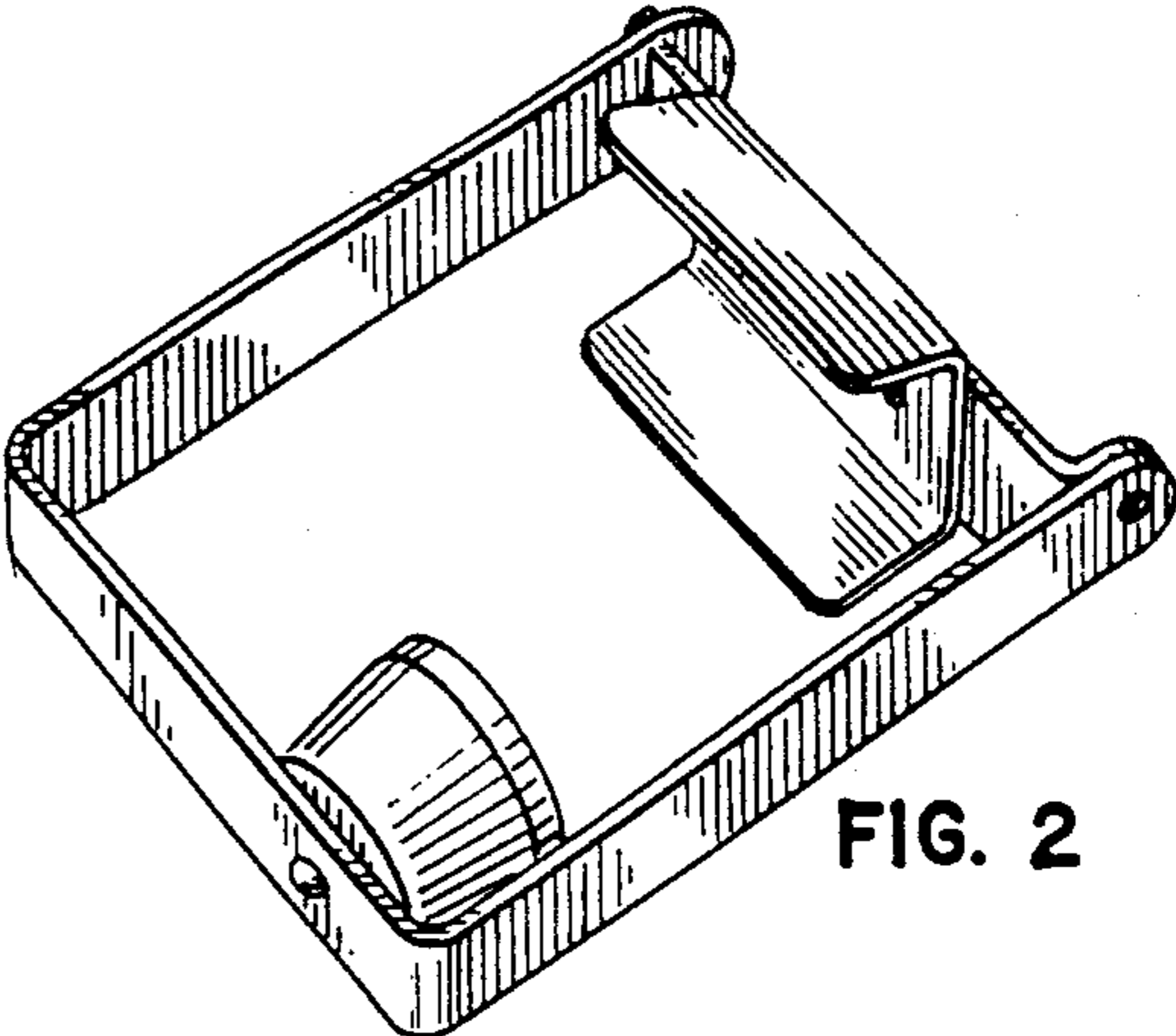


FIG. 2

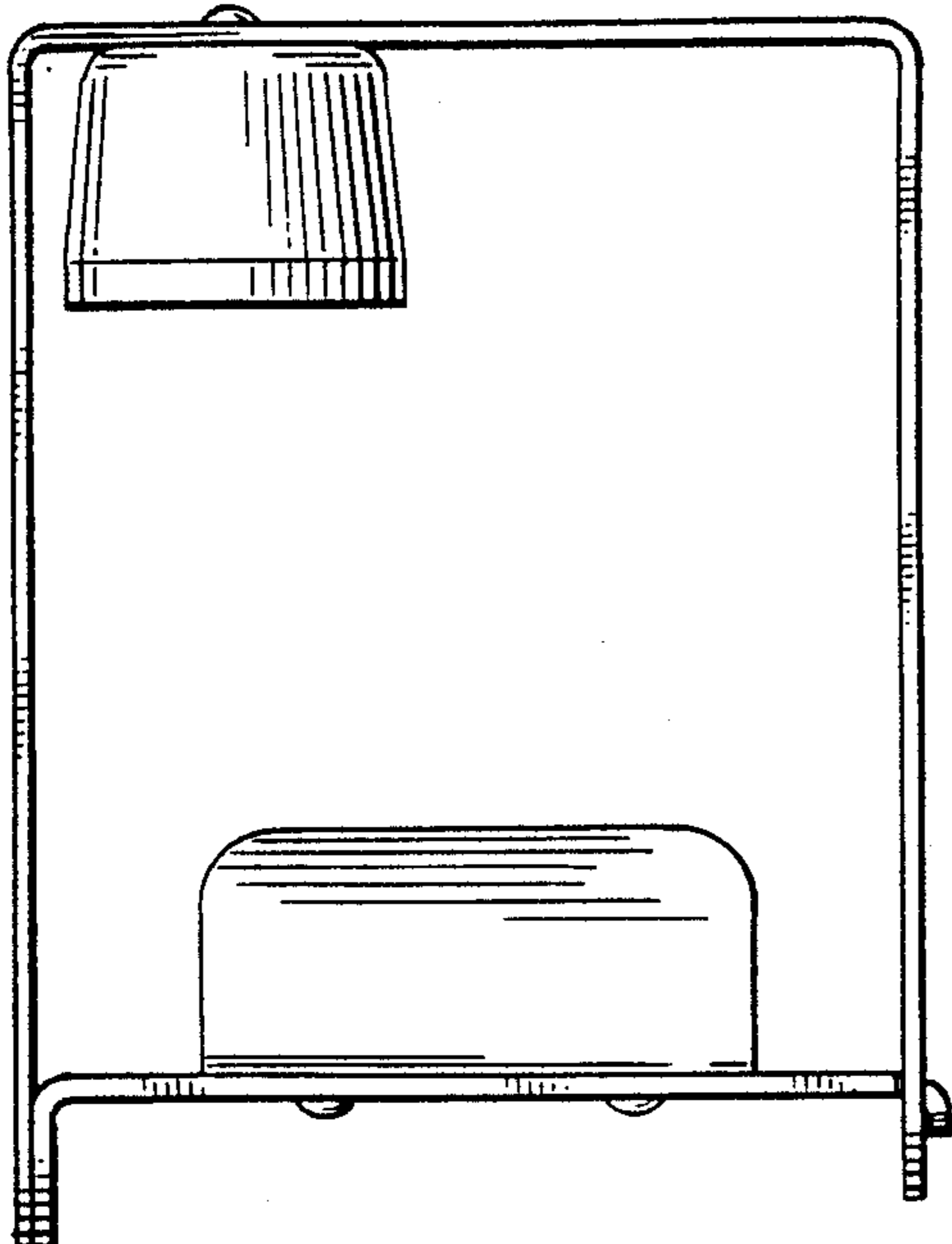


FIG. 3

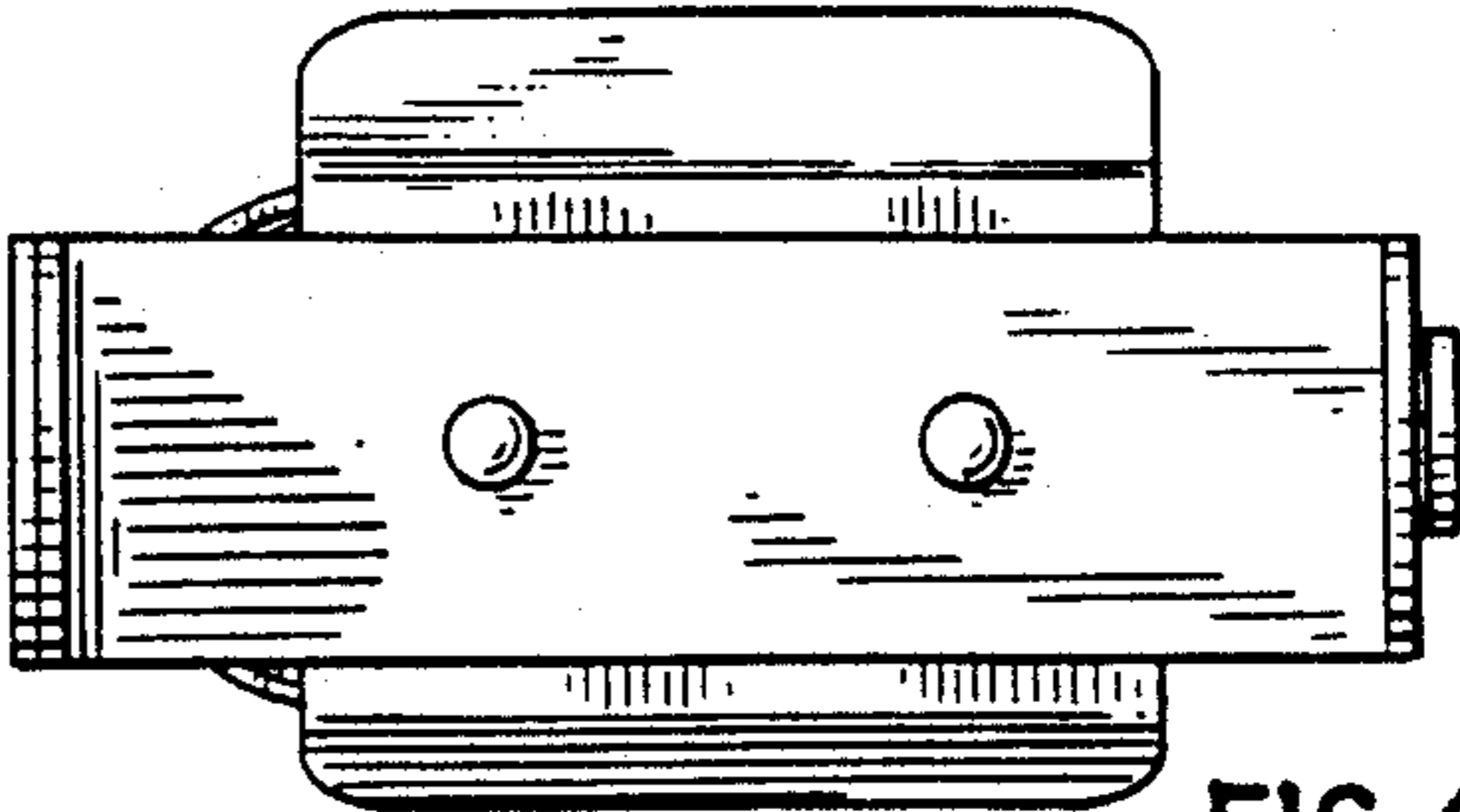


FIG. 4

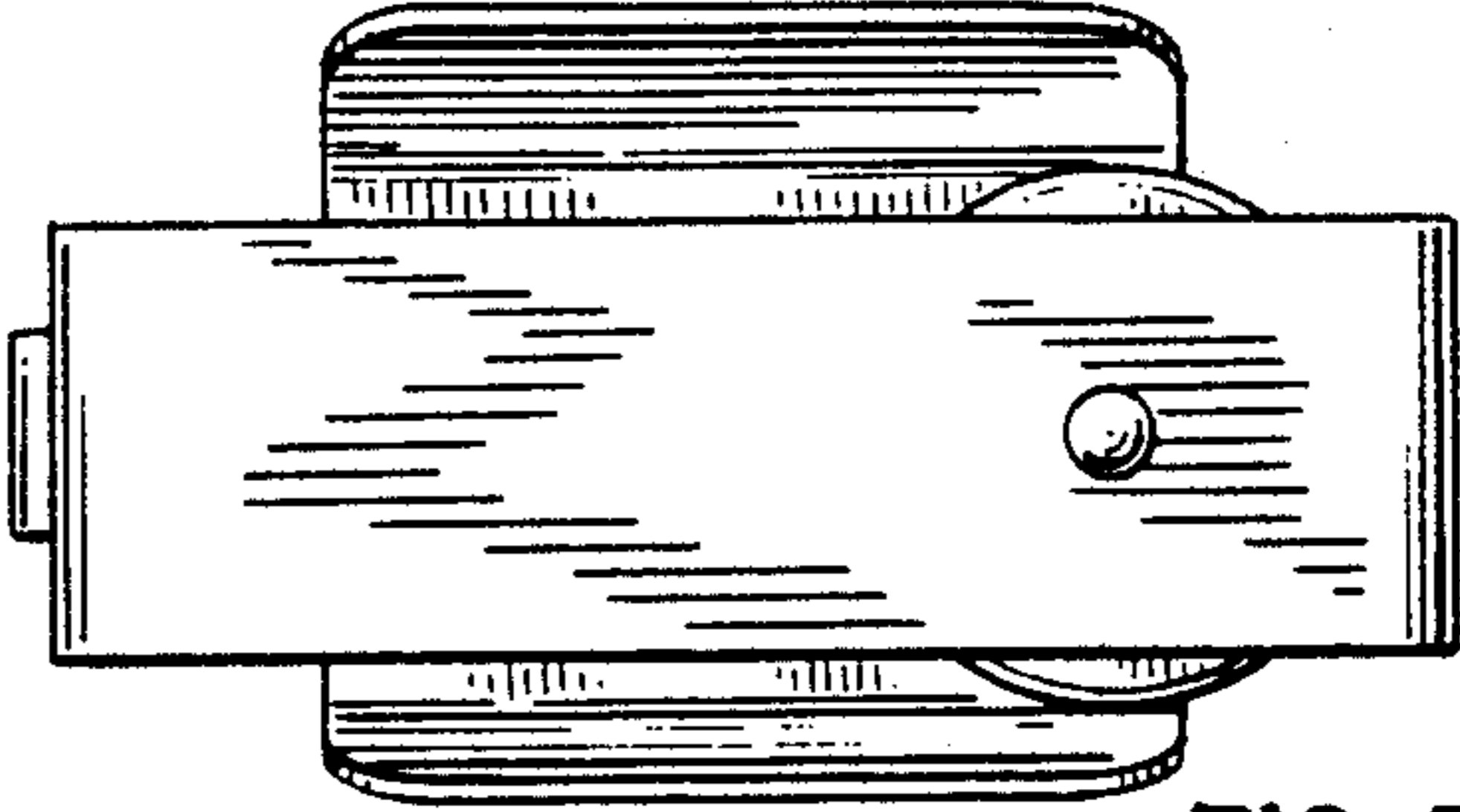


FIG. 5

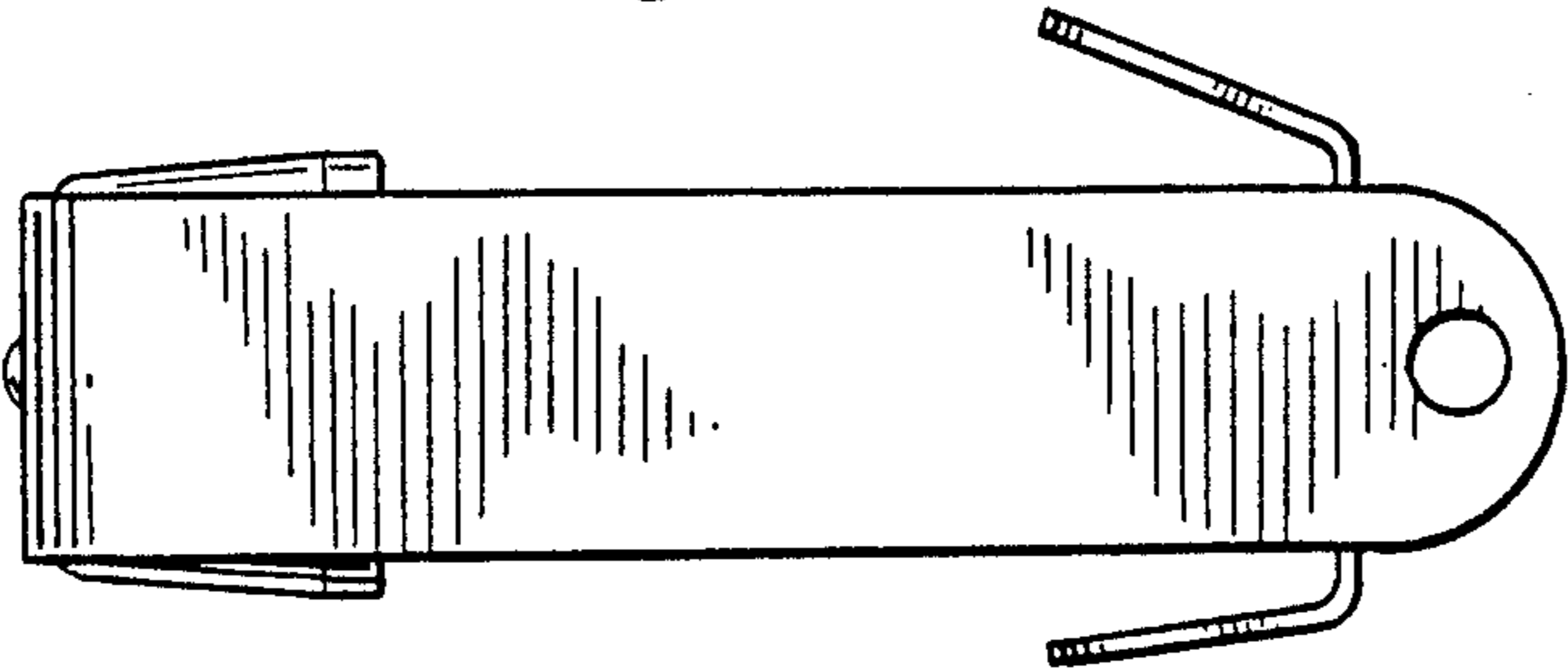


FIG. 6

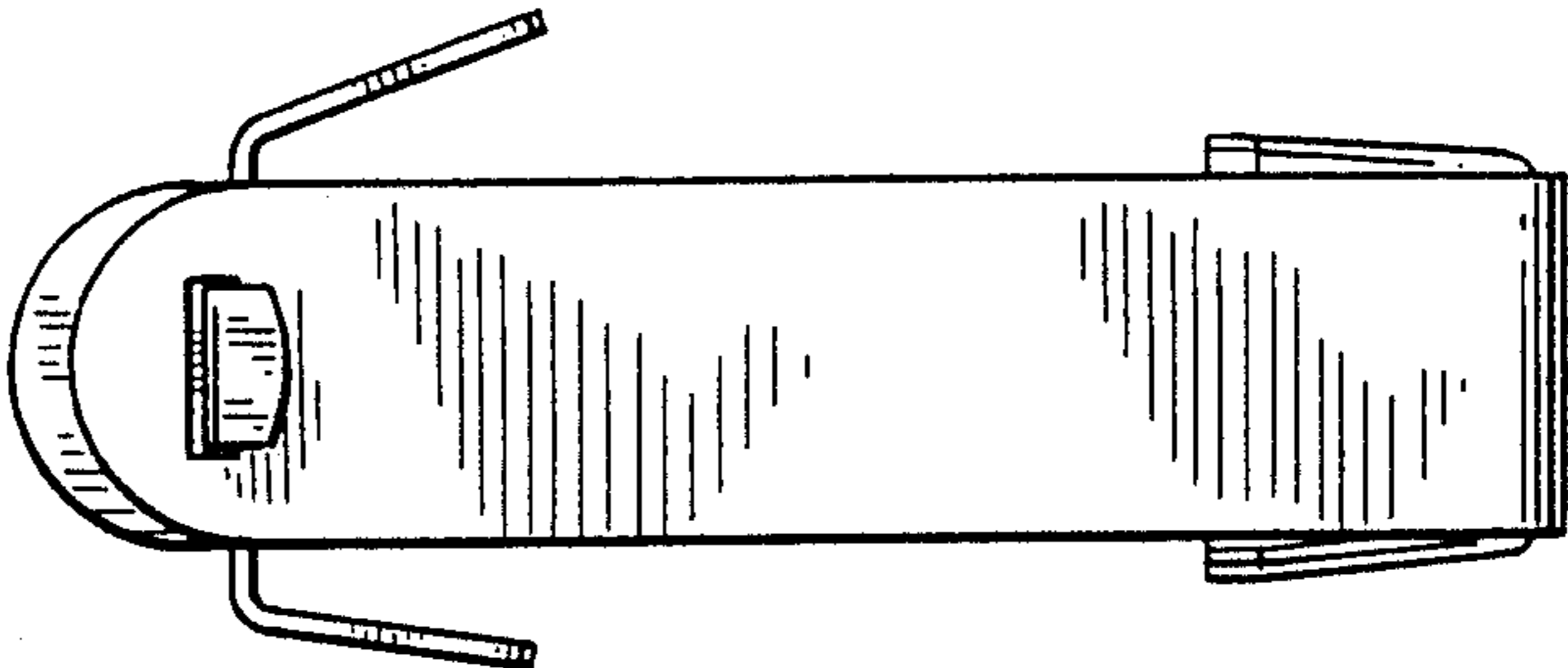


FIG. 7