

United States Patent [19]

Huang

[11] Patent Number: Des. 321,120

[45] Date of Patent: ** Oct. 29, 1991

[54] **FORM SEPARATOR**

[75] Inventor: Harrison Huang, Shengkang, Taiwan

[73] Assignee: Glory Formosa Co., Ltd., Taiwan

[**] Term: 14 Years

[21] Appl. No.: 130,736

[22] Filed: Dec. 9, 1987

[52] U.S. Cl. D8/98

[58] Field of Search D8/14, 15, 98, 16, 101,
D8/107, 45; 15/235.4, 235.6; 29/278; 118/504;
D6/518; 101/128; 225/7, 87, 31, 81, 101, 1;
206/39

[56] **References Cited**

U.S. PATENT DOCUMENTS

- D. 166,804 5/1952 Grace D6/518
D. 217,430 5/1970 Ericson D8/98

- D. 298,102 10/1988 Gugler D8/101 X
D. 305,203 12/1989 Loesche D8/98
912,981 2/1909 Graves 225/7
4,529,113 7/1985 Elliott 225/1

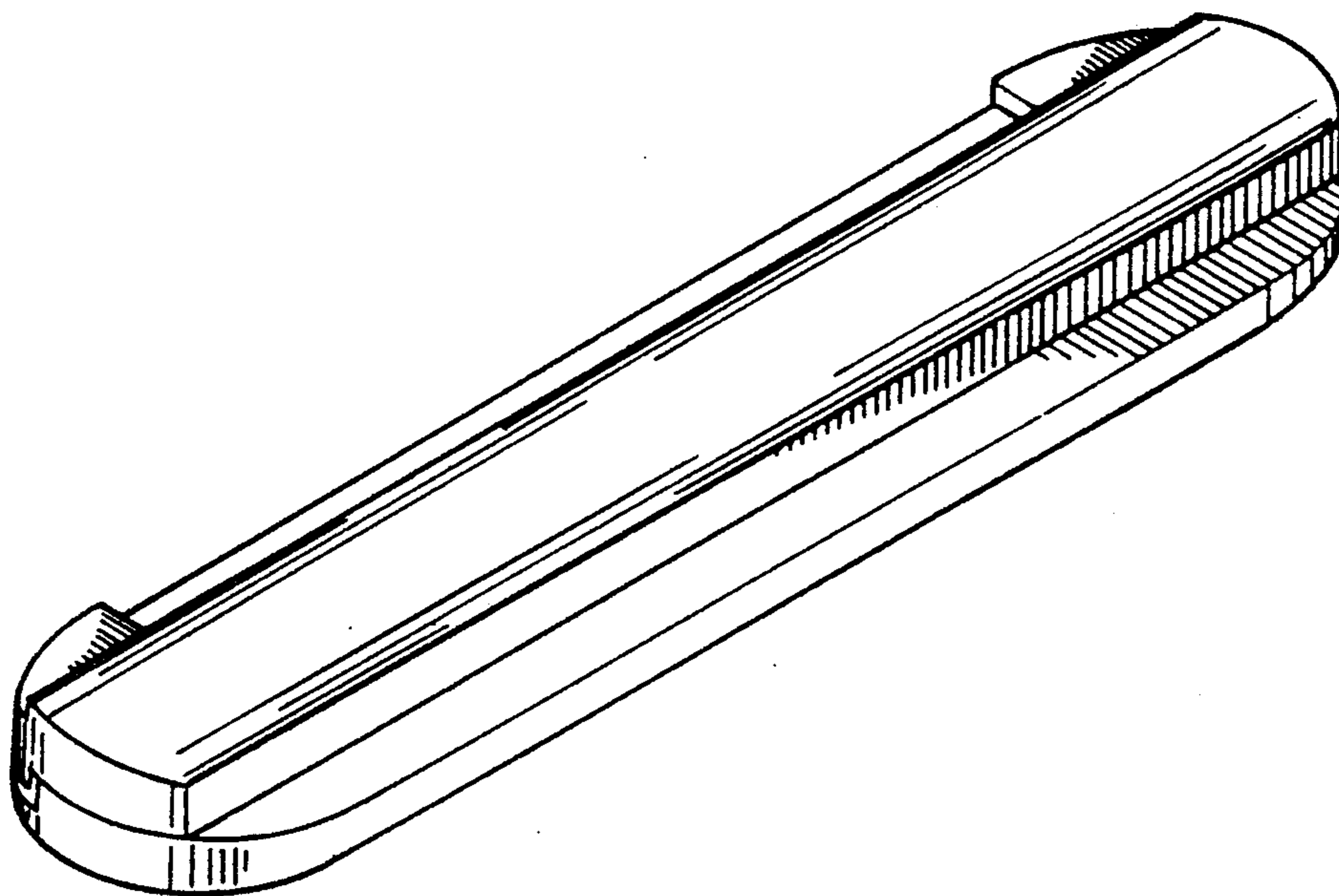
Primary Examiner—Bruce W. Dunkins
Assistant Examiner—Monica Hannon
Attorney, Agent, or Firm—Darby & Darby

[57] **CLAIM**

The ornamental design for a form separator, as shown.

DESCRIPTION

FIG. 1 is a perspective view of a form separator showing my new design;
FIG. 2 is a front elevational view;
FIG. 3 is a rear elevational view;
FIG. 4 is a left side elevational view;
FIG. 5 is a top plan view; and
FIG. 6 is a bottom plan view thereof.



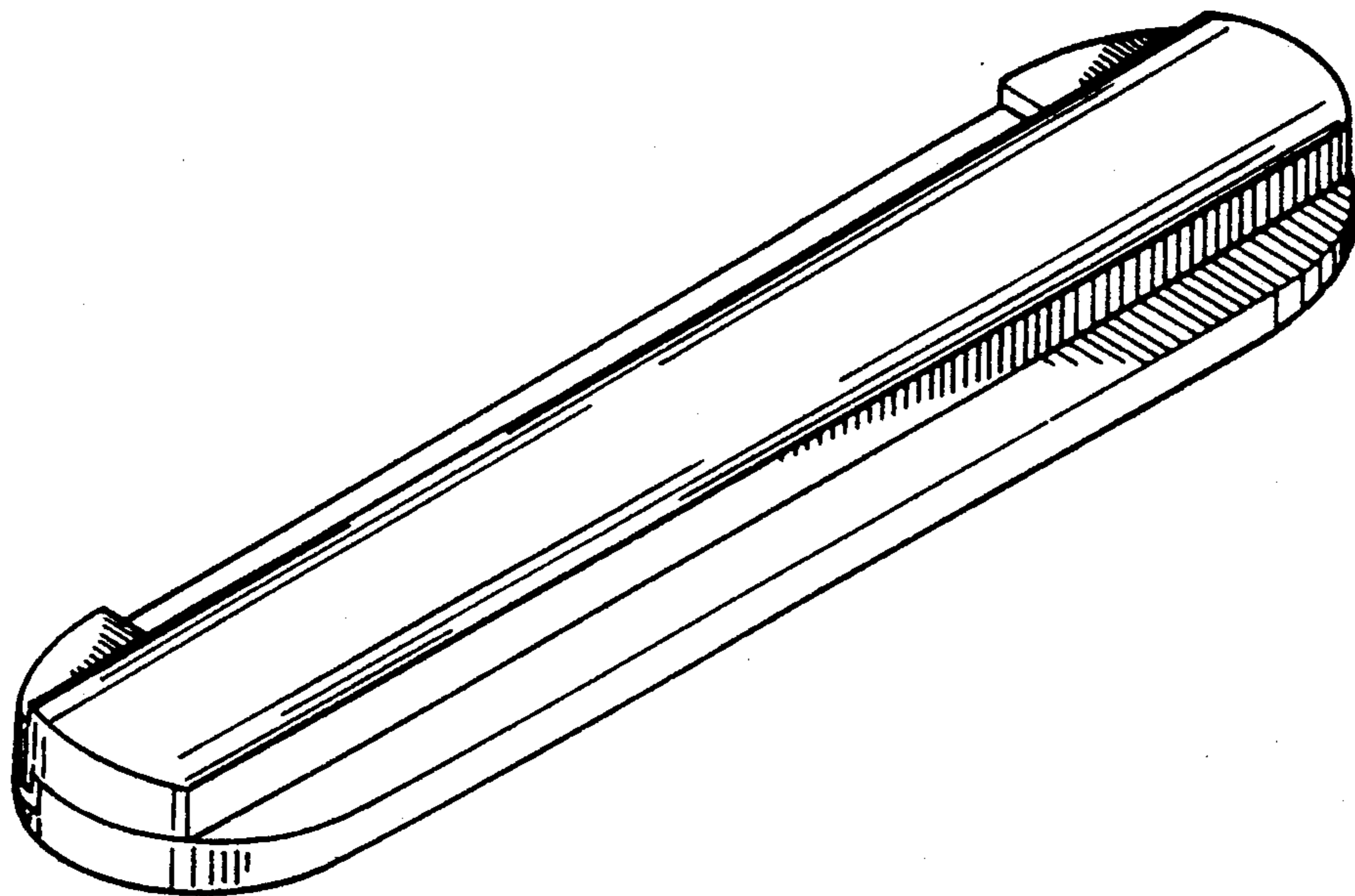


FIG. 1

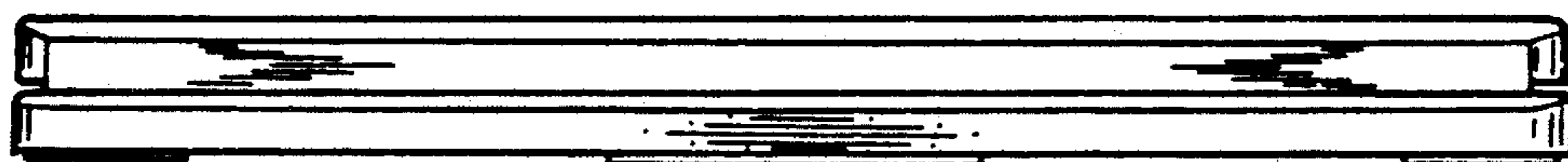


FIG. 2

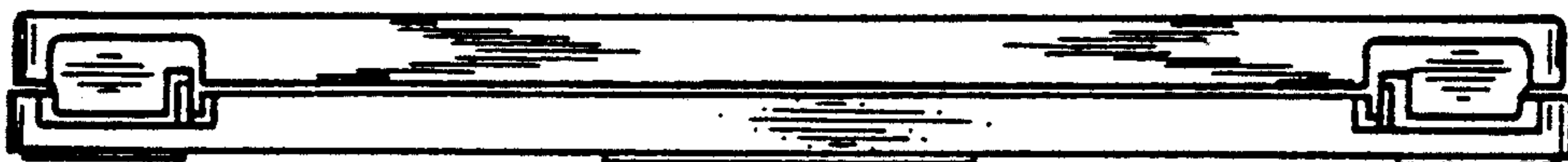


FIG. 3



FIG. 4

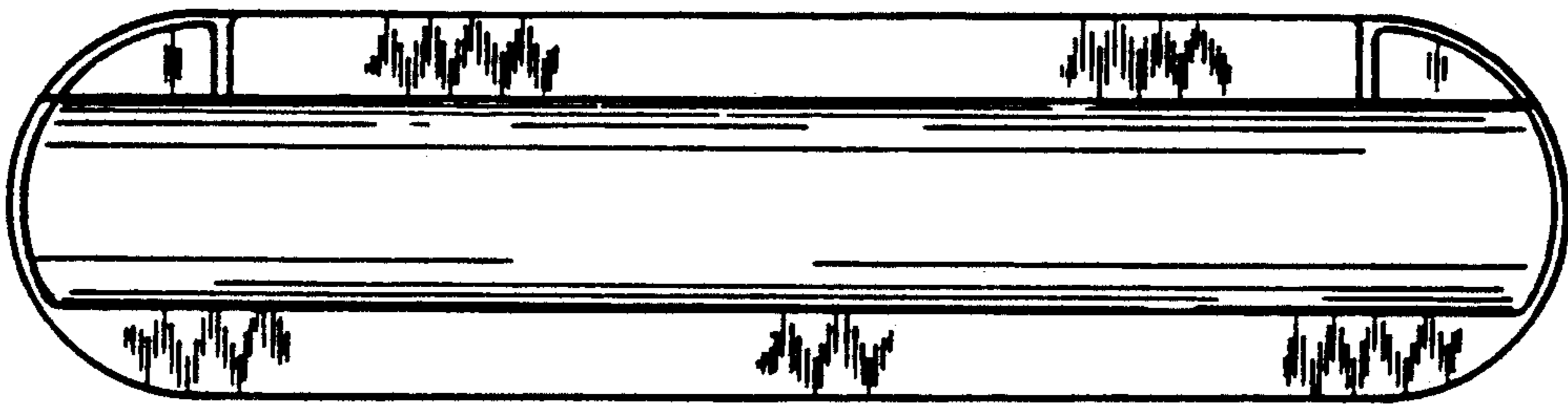


FIG. 5

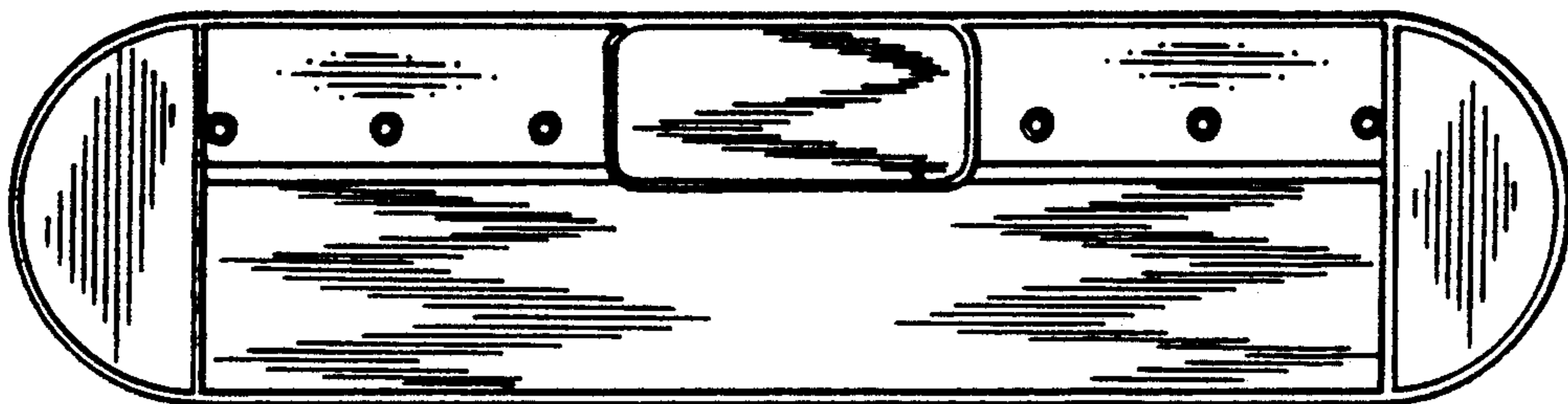


FIG. 6