

[54] **HACKSAW HANDLE**

[75] **Inventors: Theodore P. Ciccone, III, West Hartford; Joseph P. DeCarolus, Bristol, both of Conn.**

[73] **Assignee: The Stanley Works, New Britain, Conn.**

[**] **Term: 14 Years**

[21] **Appl. No.: 254,950**

[22] **Filed: Oct. 7, 1988**

[52] **U.S. Cl. D8/97; D8/64; D8/95; D8/98**

[58] **Field of Search D8/95, 96, 97; 30/513, 30/506, 510; 43/14, 42.37**

2,439,568 4/1948 Hall D8/95
 2,514,880 7/1950 Leatherman .
 2,520,890 2/1946 Priest .
 2,553,300 7/1946 Clemson .
 2,606,585 12/1946 Collura .
 2,676,630 2/1950 Furman .
 2,691,396 6/1950 Harrison .
 2,703,121 3/1955 Jolie 30/513
 2,715,426 4/1954 Morris .
 2,766,790 10/1956 Kimmel .
 3,002,542 10/1959 Dreier .
 3,636,997 1/1972 Keymer .
 3,797,545 3/1974 Dreier .
 3,815,648 6/1974 Dreier .
 3,821,974 7/1974 Merrow .
 3,822,731 7/1974 Keymer .
 4,349,059 9/1982 Hepworth et al. .
 4,376,456 3/1983 Jacoff 30/50.6
 4,466,471 8/1984 Thomson .

[56] **References Cited**
U.S. PATENT DOCUMENTS

D. 140,810 4/1945 Collura D8/96
 D. 152,996 7/1948 McQuillan .
 D. 159,957 1/1949 Clemson .
 D. 176,770 1/1956 Jacoff .
 D. 187,727 4/1960 Dreier .
 D. 192,068 1/1962 Franklin et al. D8/95
 D. 192,069 1/1962 Franklin et al. D8/95
 D. 193,540 9/1962 Dreier .
 D. 224,903 10/1972 Dreier .
 D. 249,453 9/1978 Covey D8/97
 D. 260,072 8/1981 Covey D8/97
 D. 269,848 7/1983 Covey D8/97
 D. 276,407 11/1984 Jacoff D8/96
 D. 310,318 9/1990 Backman D8/95
 1,543,185 6/1923 Parsons .
 1,593,352 7/1926 Feck 30/510
 1,817,980 3/1930 Forsberg et al. .
 2,048,627 1/1935 Schmidt et al. .
 2,226,614 3/1939 Kaspar .

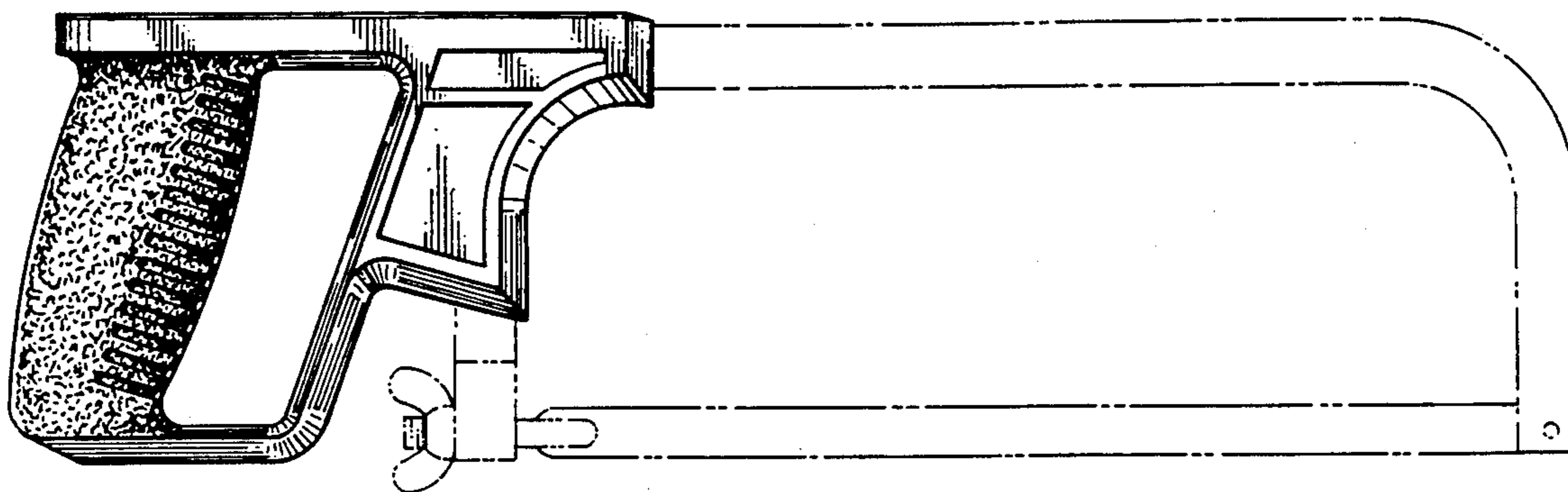
Primary Examiner—Bruce W. Dunkins
Assistant Examiner—Monica Hannon

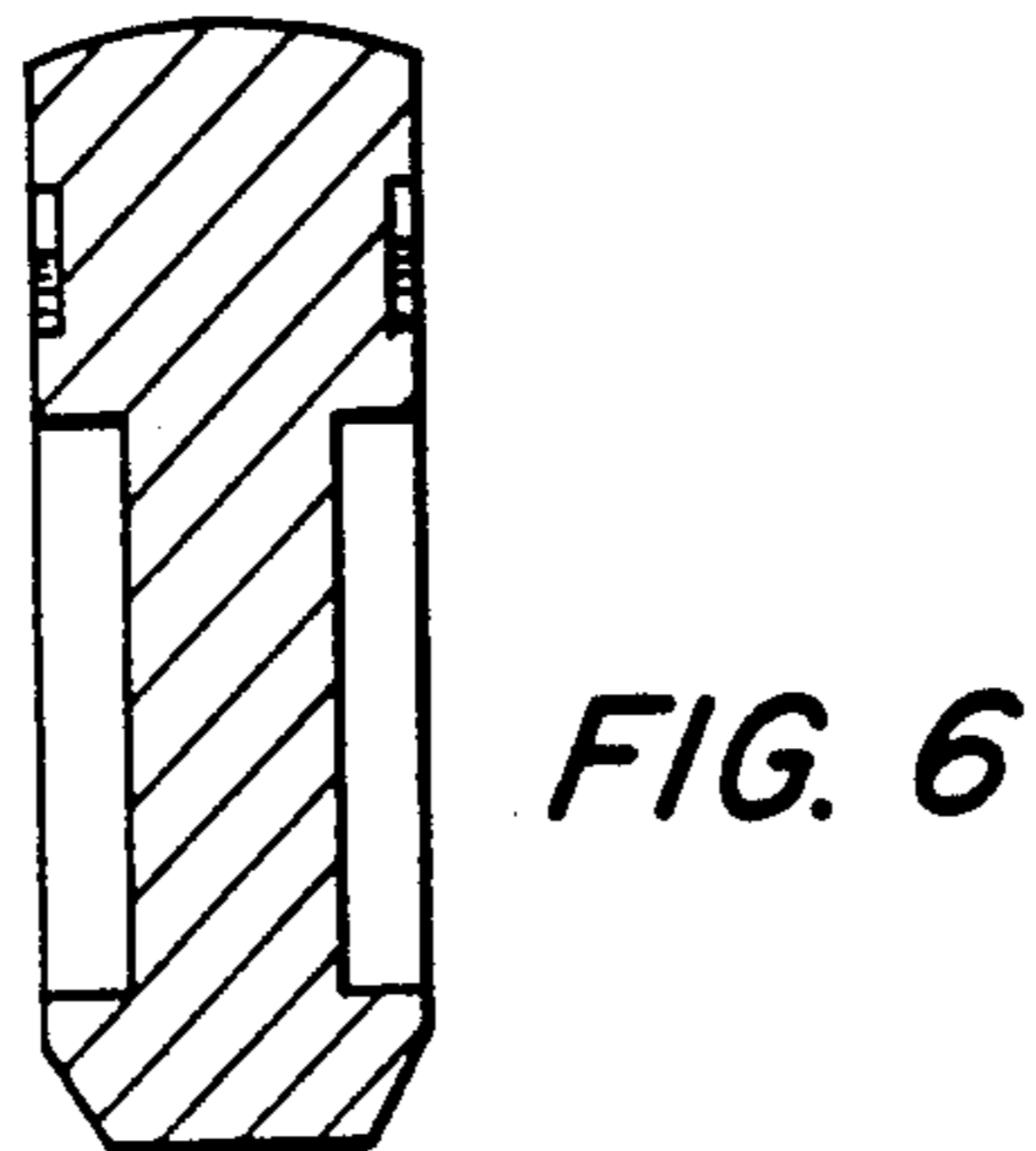
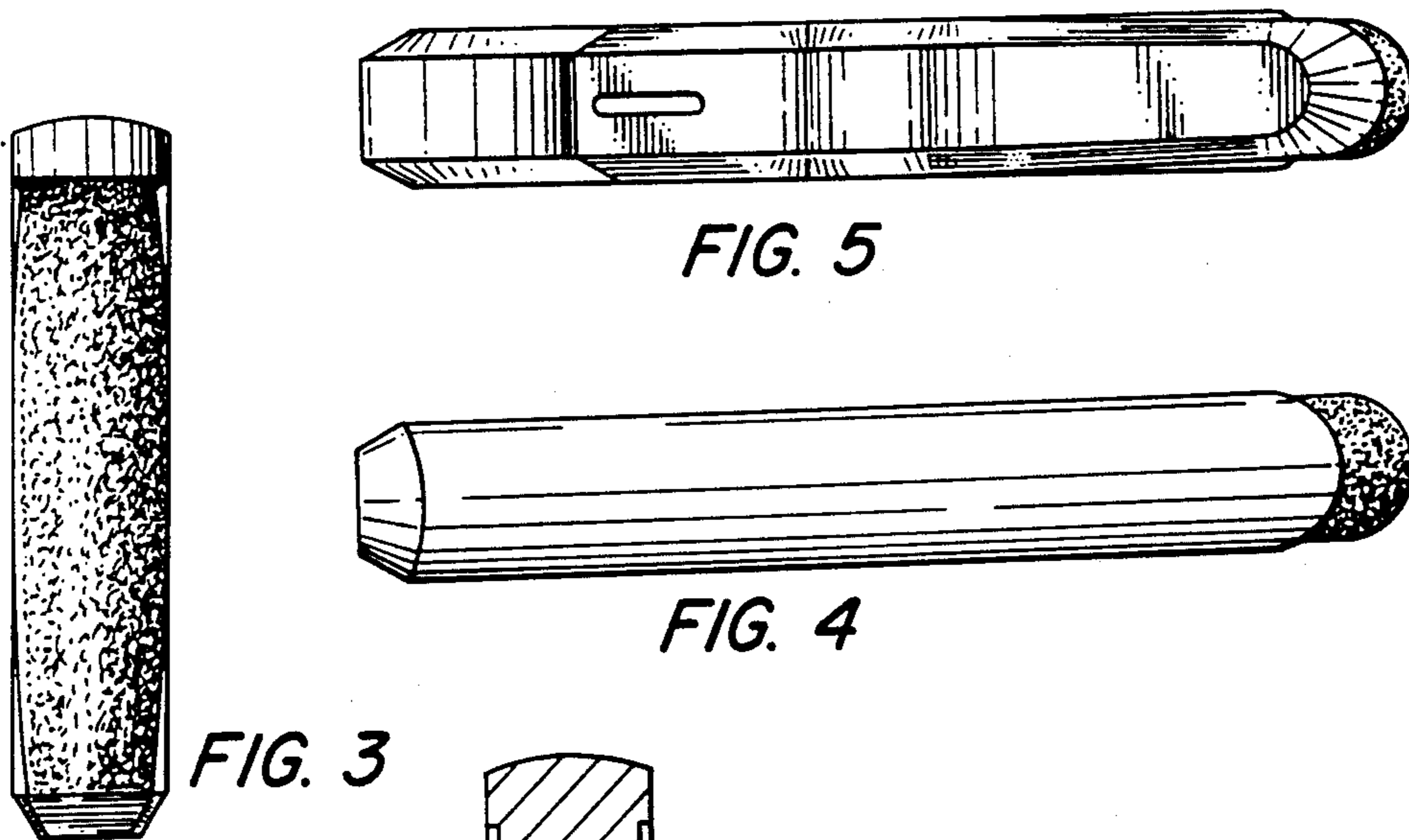
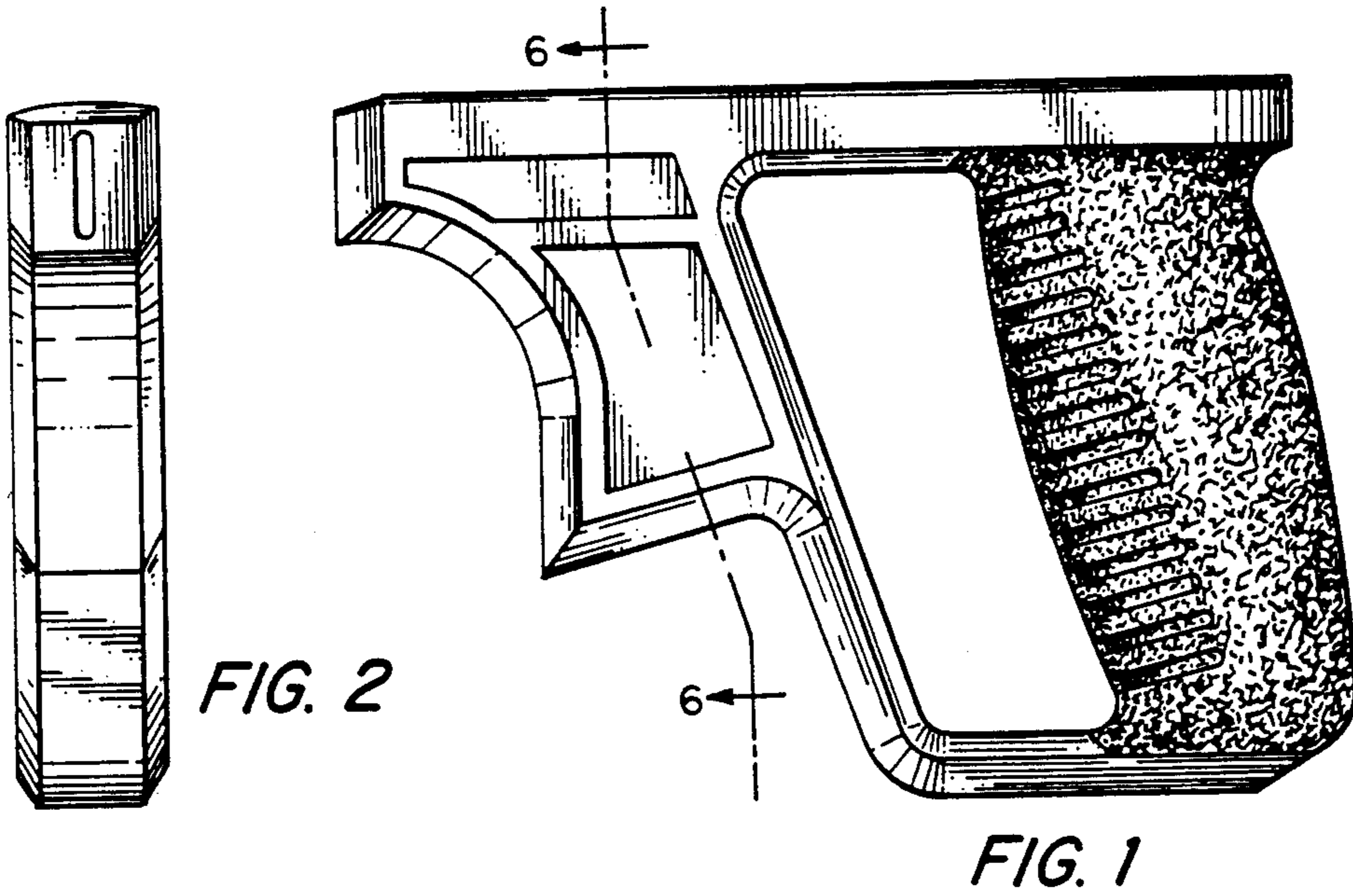
[57] **CLAIM**

The ornamental design for a hacksaw handle, as shown and described.

DESCRIPTION

FIG. 1 is a side elevational view of hacksaw handle embodying of our design, the opposite side being a mirror image thereof;
 FIG. 2 is a front elevational view thereof;
 FIG. 3 is a rear elevational view thereof;
 FIG. 4 is a top plan view thereof;
 FIG. 5 is a bottom view thereof;
 FIG. 6 is a sectional view along the line 6—6 of FIG. 1 to show more clearly the shape of the recesses; and
 FIG. 7 is a side elevational view of the handle of FIGS. 1-6 in a hacksaw handle with the frame and blade being shown in phantom line.





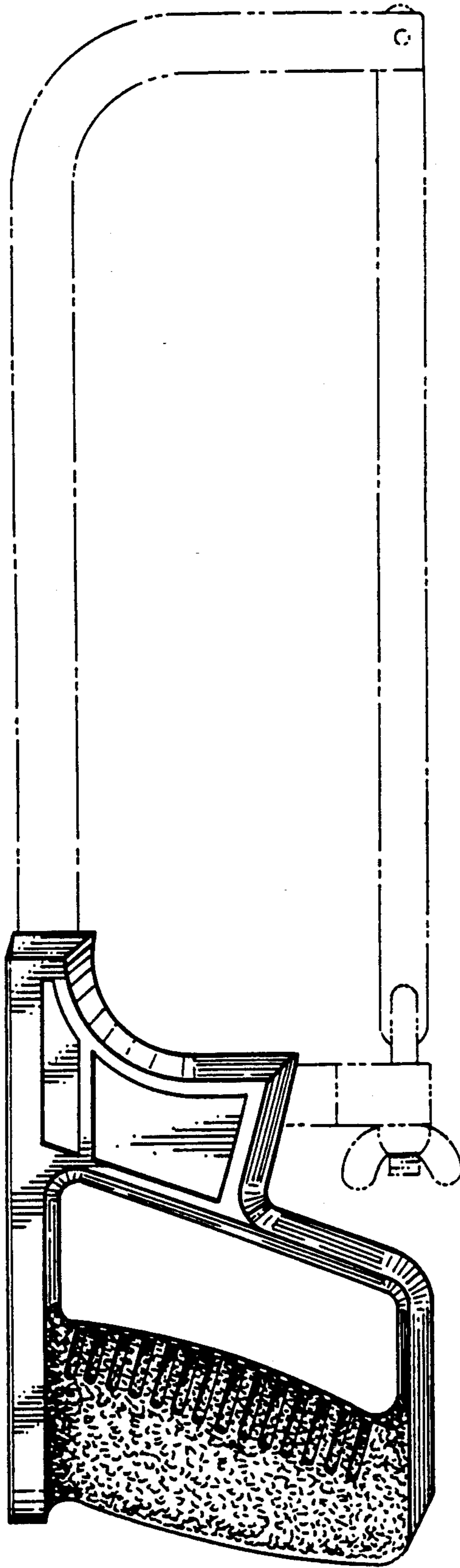


FIG. 7