

[54] MITER SAW SUPPORT BASE
[75] Inventors: Jeffery B. O'Mealy; Lawrence D. Braddock, both of Portland, Oreg.

1,453,185 4/1923 Ruffin, Jr. 108/47
2,867,401 1/1959 Sheahan 108/47
4,105,091 8/1978 Mahan 182/181
4,694,720 9/1987 Brickner, Jr. et al. 83/490

[73] Assignee: Trojan Manufacturing, Portland, Oreg.

Primary Examiner—Nelson C. Holtje
Assistant Examiner—J. H. Musgrove
Attorney, Agent, or Firm—Klarquist, Sparkman, Campbell, Leigh and Winston

[**] Term: 14 Years

[21] Appl. No.: 297,081

[57] CLAIM

[22] Filed: Jan. 13, 1989

The ornamental design for a miter saw support base, as shown and described.

[52] U.S. Cl. D8/71

[58] Field of Search D6/406, 419, 420, 550, D6/338; D7/698, 699; 108/43, 47; 83/469-477, 477.1; 182/181, 129; 248/676-678

DESCRIPTION

[56] References Cited

U.S. PATENT DOCUMENTS

D. 236,775 9/1975 Cowley D6/420
D. 312,008 11/1990 Speed et al. D8/71
D. 312,358 11/1990 Horne D6/406
492,316 2/1893 White 108/43

FIG. 1 is a bottom perspective view of a miter saw support base showing our new design;
FIG. 2 is a front elevational view;
FIG. 3 is a rear elevational view;
FIG. 4 is a right side elevational view the opposite side being a mirror image;
FIG. 5 is a top plan view;
FIG. 6 is a bottom plan view thereof.

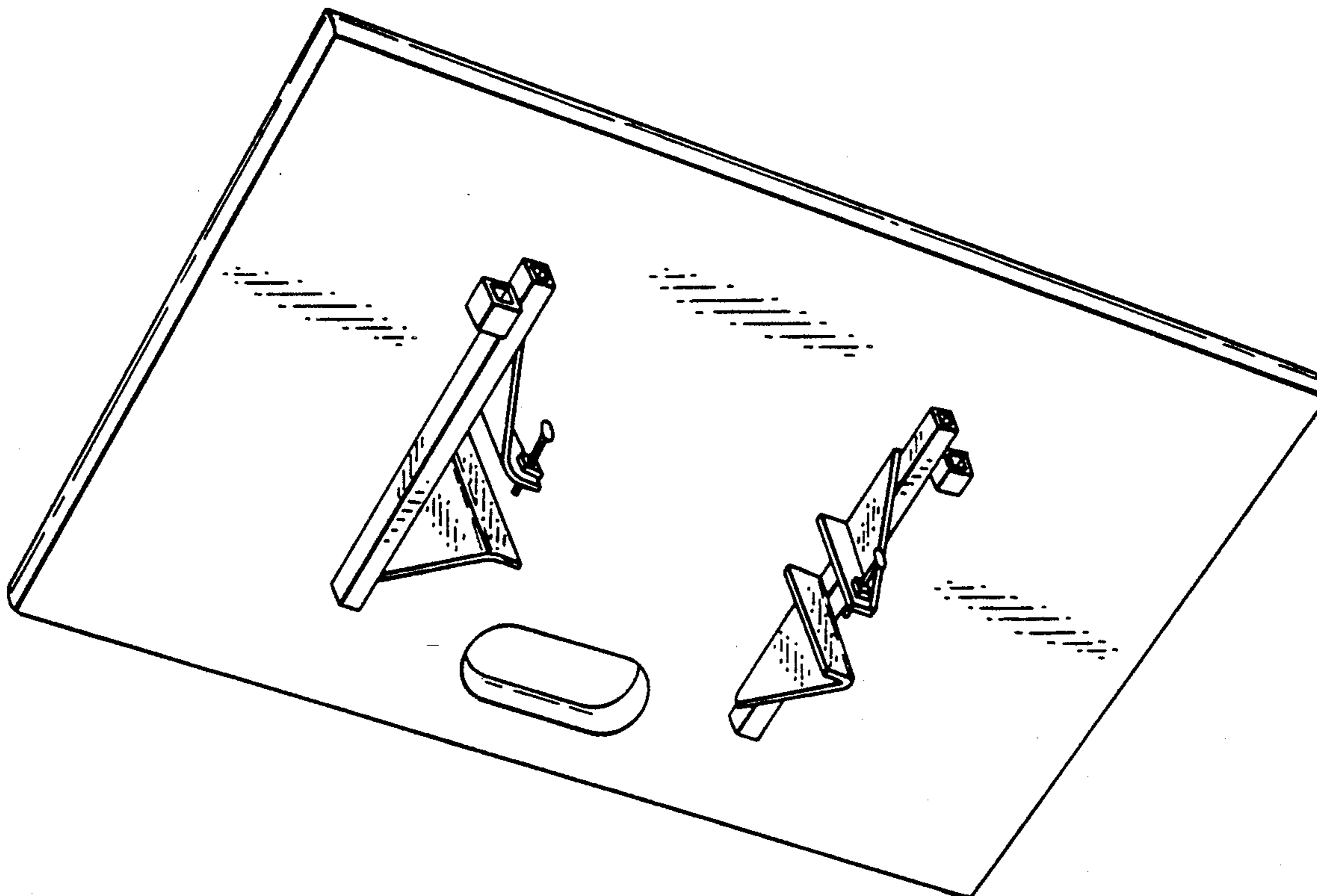


FIG. 1

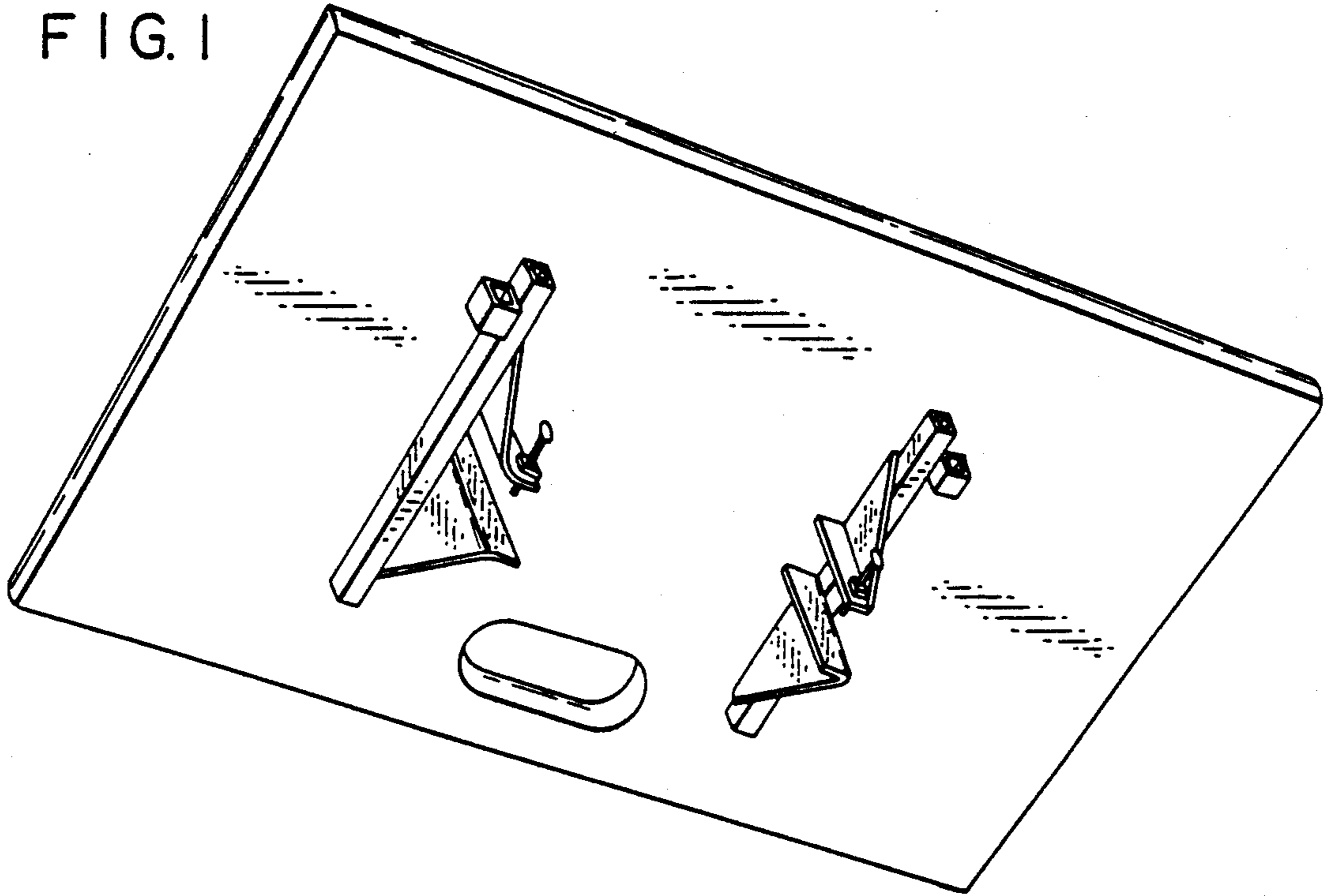


FIG. 2

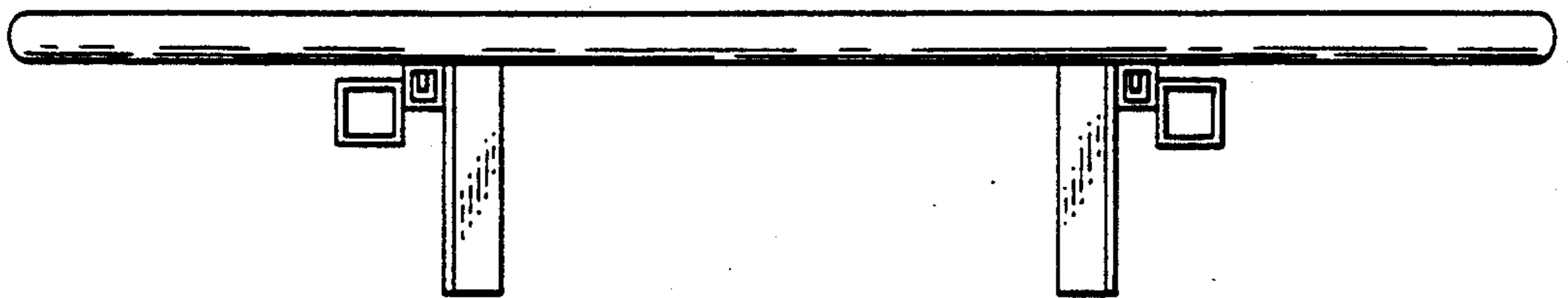


FIG. 3

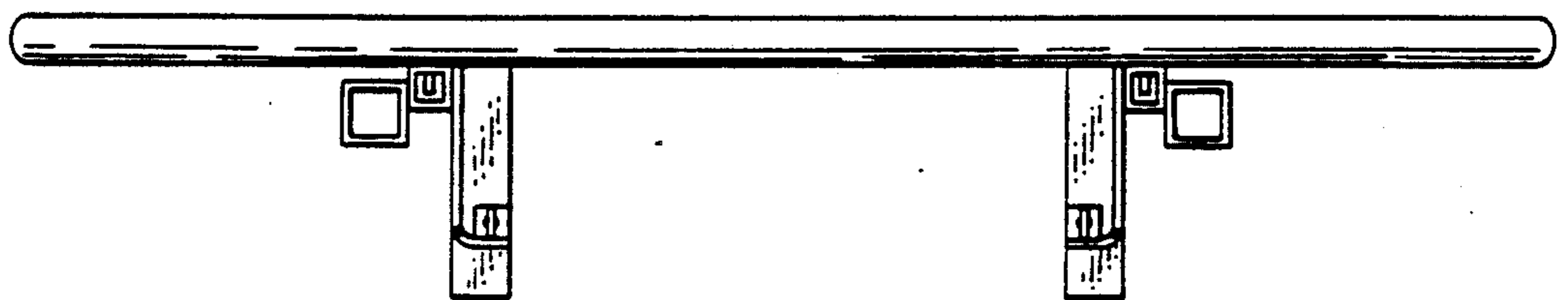


FIG. 4

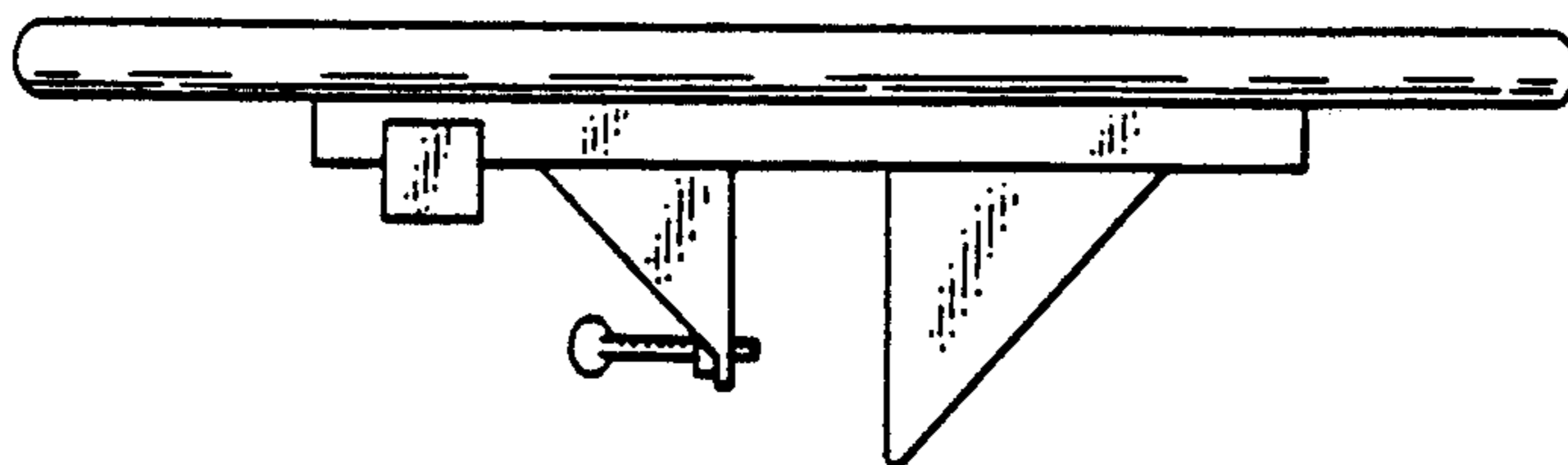


FIG. 5

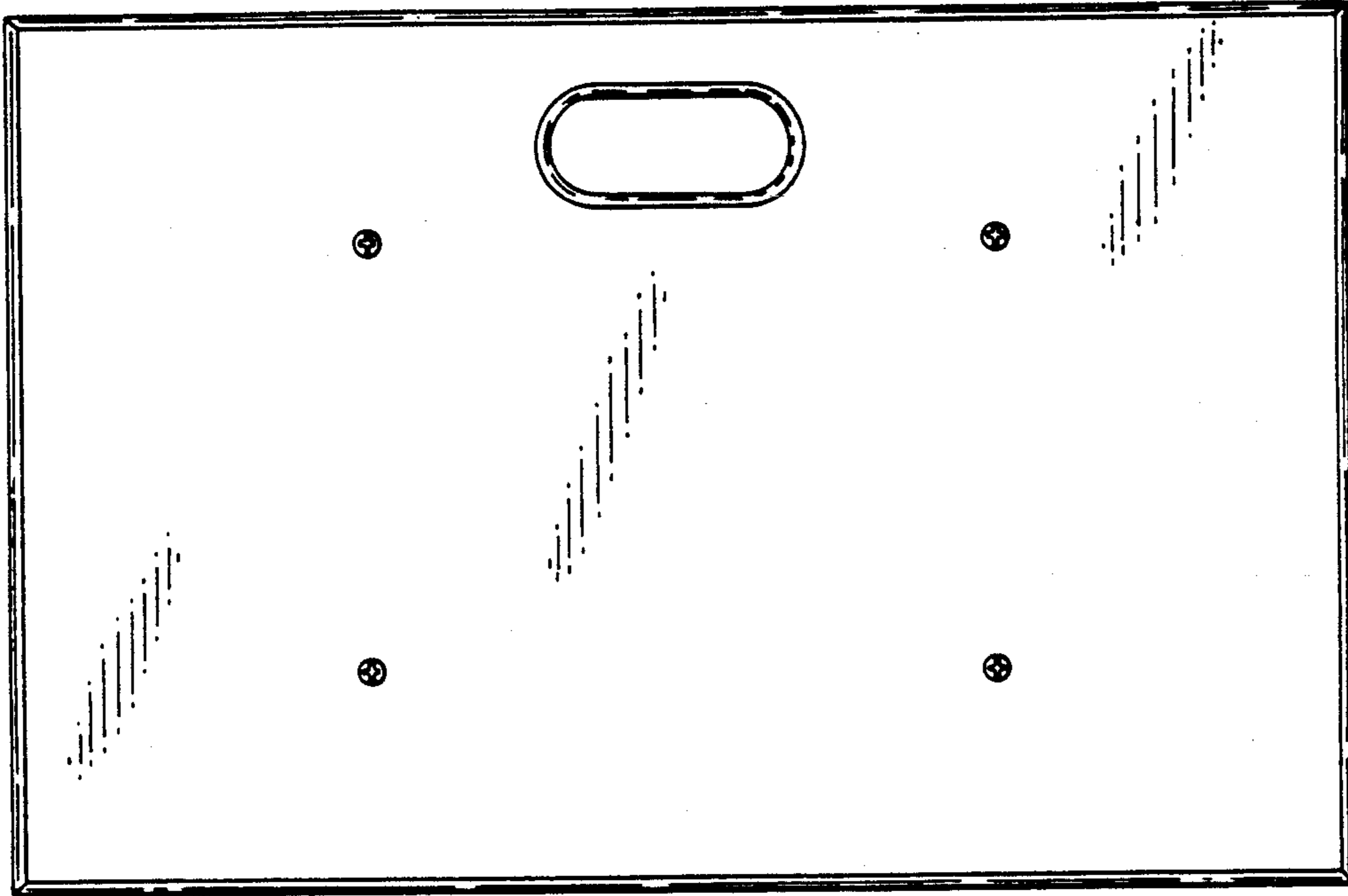


FIG. 6

