

[54] POWER DRILL

[75] Inventor: Albert Wan, Kowloon, Hong Kong

[73] Assignee: Fee Tat Plastic Factory Limited, Aberdeen, Hong Kong

[**] Term: 14 Years

[21] Appl. No.: 304,021

[22] Filed: Jan. 30, 1989

[30] Foreign Application Priority Data

Aug. 12, 1988 [GB] United Kingdom 1052954

[52] U.S. Cl. D8/68

[58] Field of Search D8/68; 81/57.11, 57.14, 81/57.13, 54, 429; 408/124, 125, 127; 310/47; 173/170, 163

[56] References Cited

U.S. PATENT DOCUMENTS

D. 243,652 11/1984 Zurwelle et al. D8/68

D. 262,823 1/1982 House D8/68

D. 280,797	10/1985	Sakamoto et al.	D8/68
D. 298,207	10/1988	Kilmer et al.	D8/68
D. 300,718	4/1989	Fushiya et al.	D8/68
D. 301,114	5/1989	Fushiya et al.	D8/68
D. 302,786	8/1989	Fushiya et al.	D8/68
D. 314,498	2/1991	Hoshino et al.	D8/68

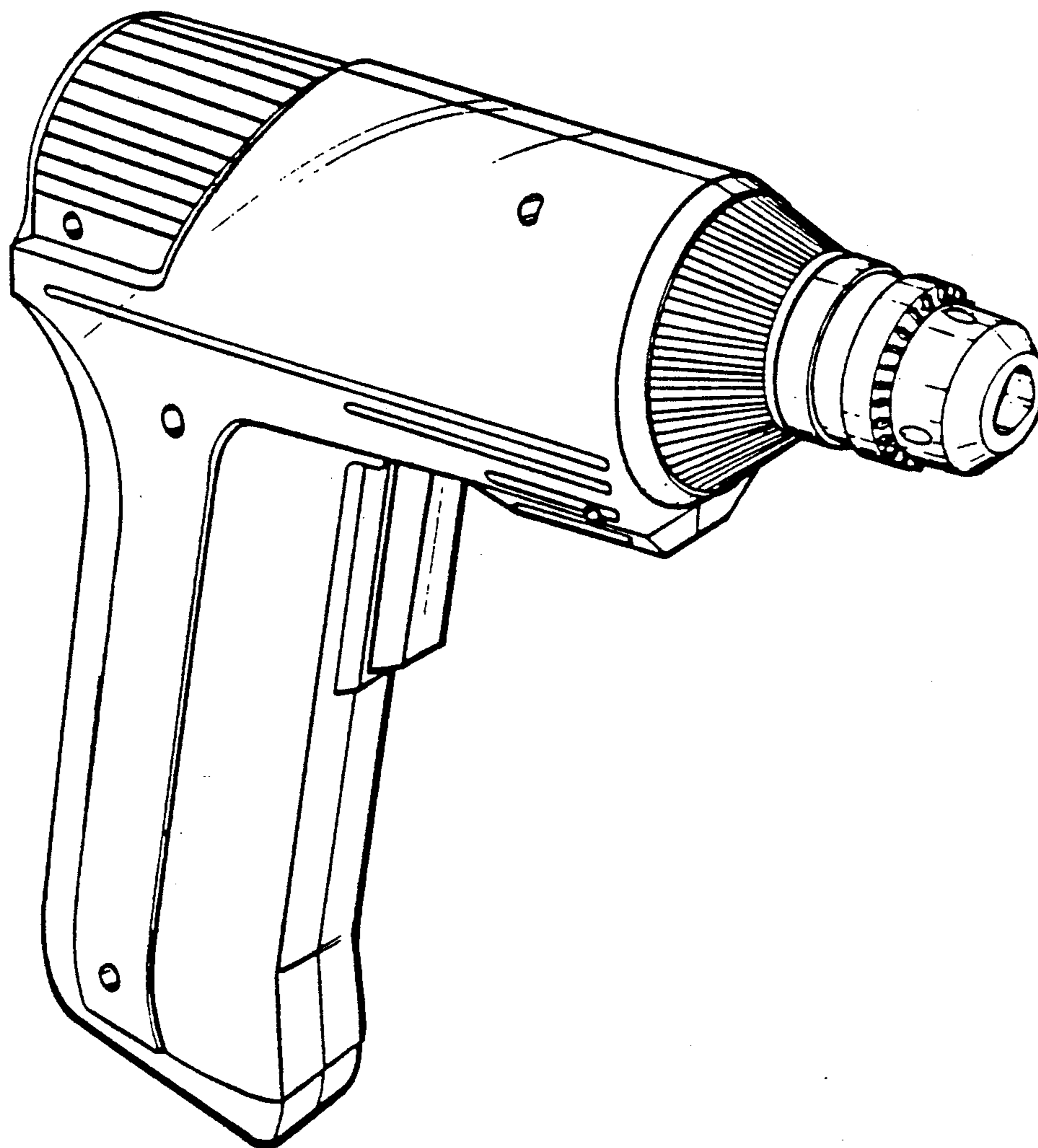
Primary Examiner—Nelson C. Holtje
Assistant Examiner—J. H. Musgrove
Attorney, Agent, or Firm—Cohen, Pontani & Lieberman

[57] CLAIM

The ornamental design for a power drill, as shown.

DESCRIPTION

FIG. 1 is a top plan view of a power drill showing my new design;
FIG. 2 is a right side elevational view;
FIG. 3 is a left side elevational view;
FIG. 4 is a bottom plan view;
FIG. 5 is a front elevational view;
FIG. 6 is a rear elevational view;
FIG. 7 is a front and top-left perspective view; and
FIG. 8 is a rear and top-right perspective view.



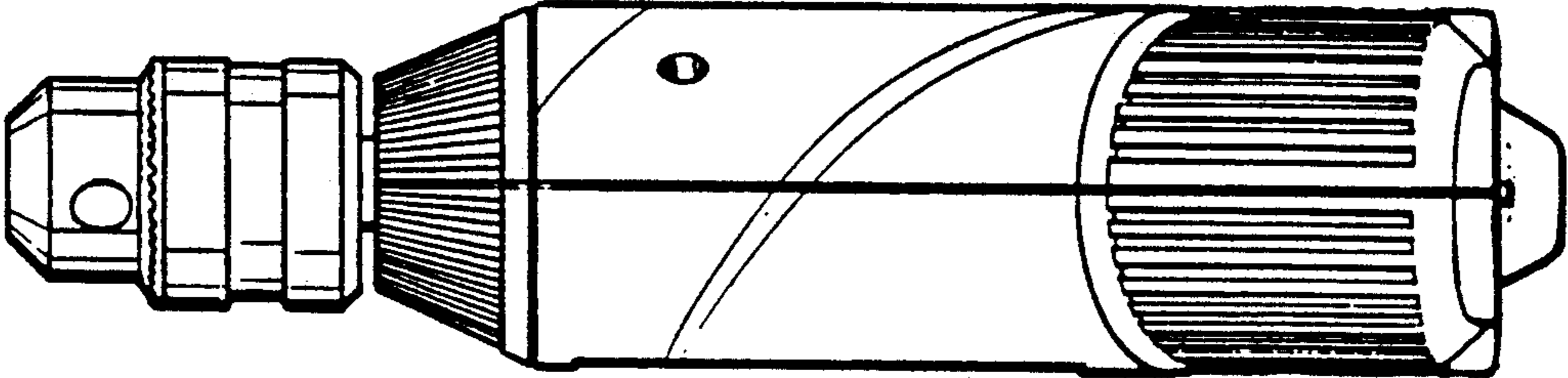


FIG. 1

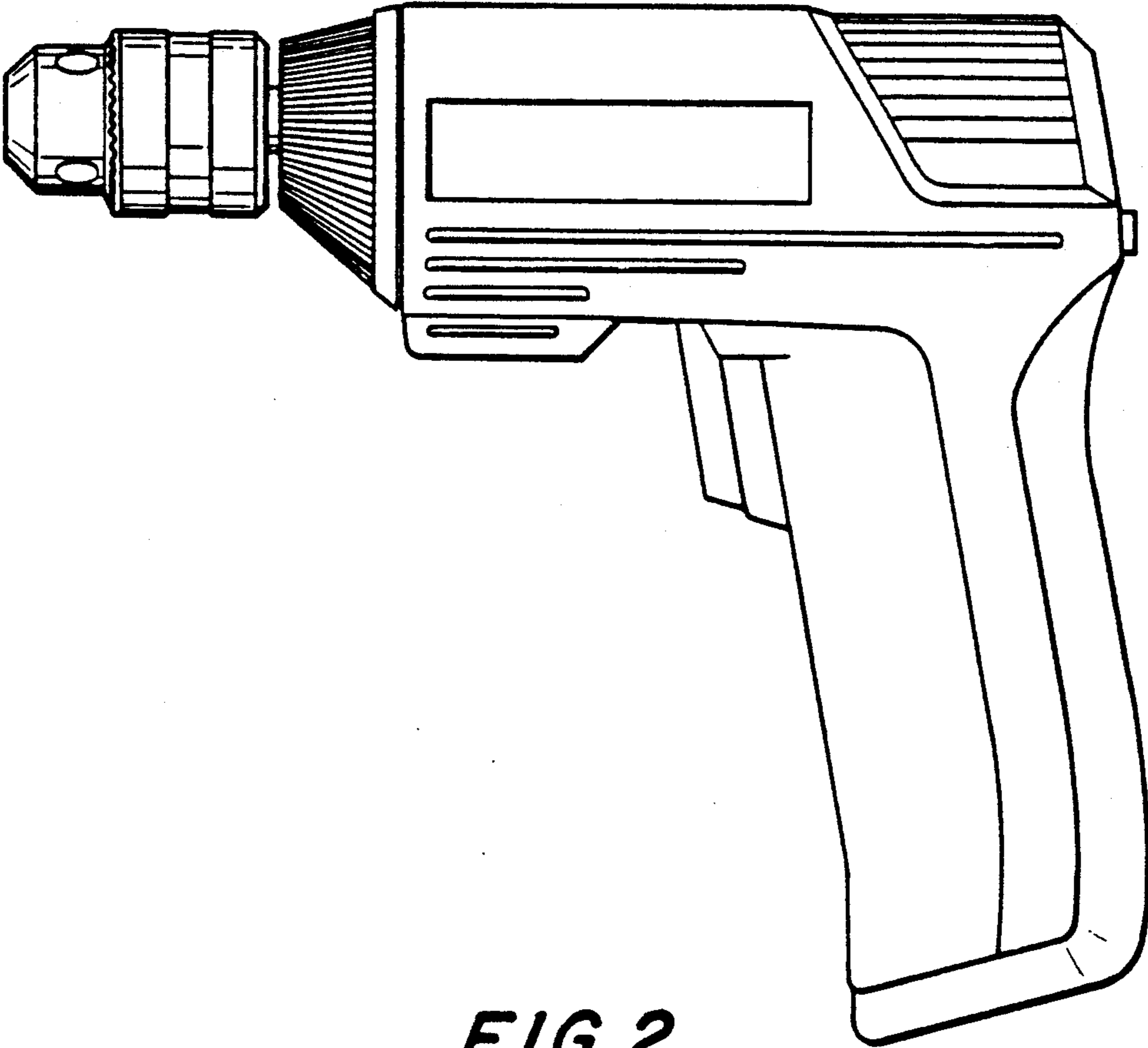


FIG. 2

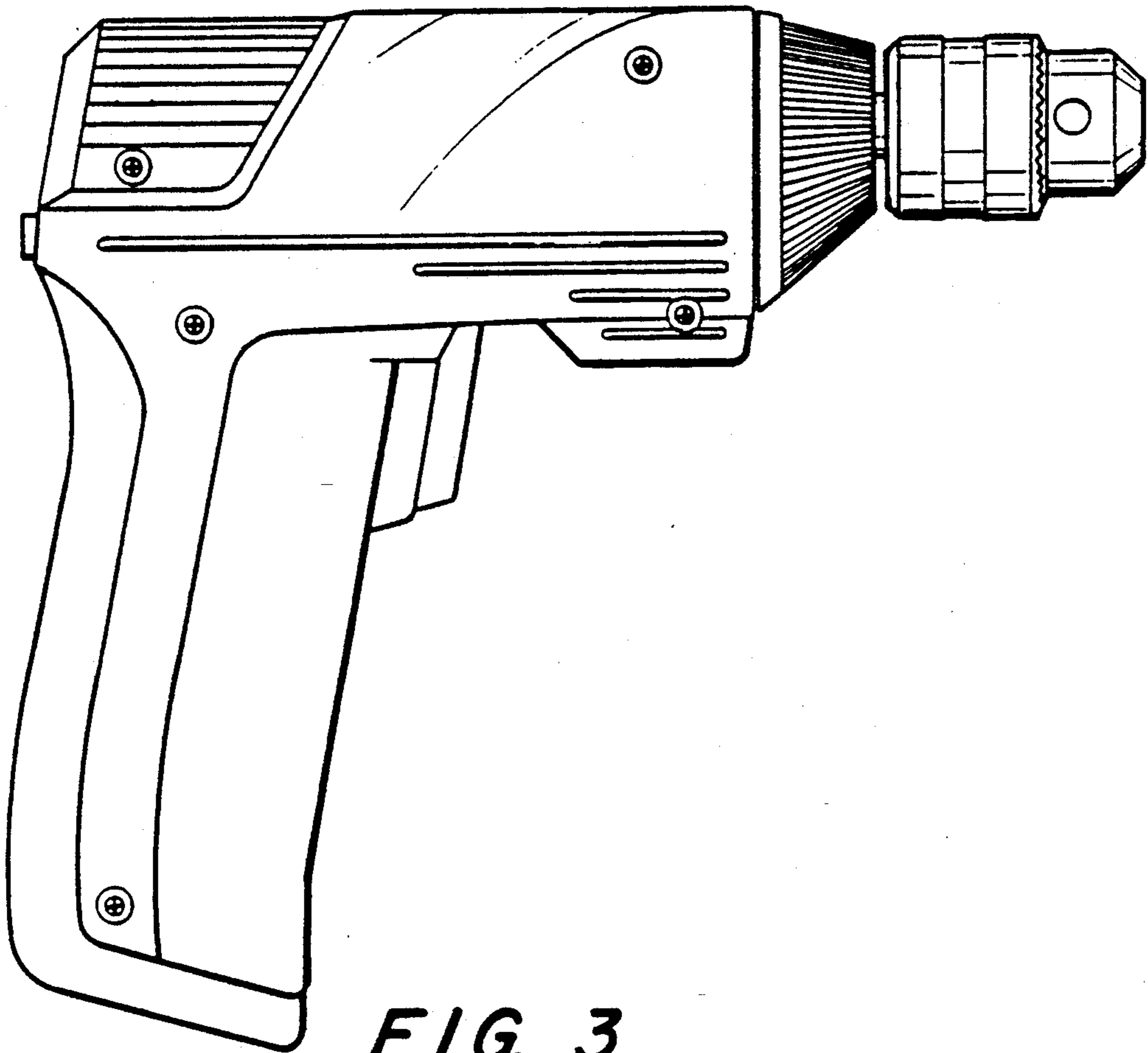


FIG. 3

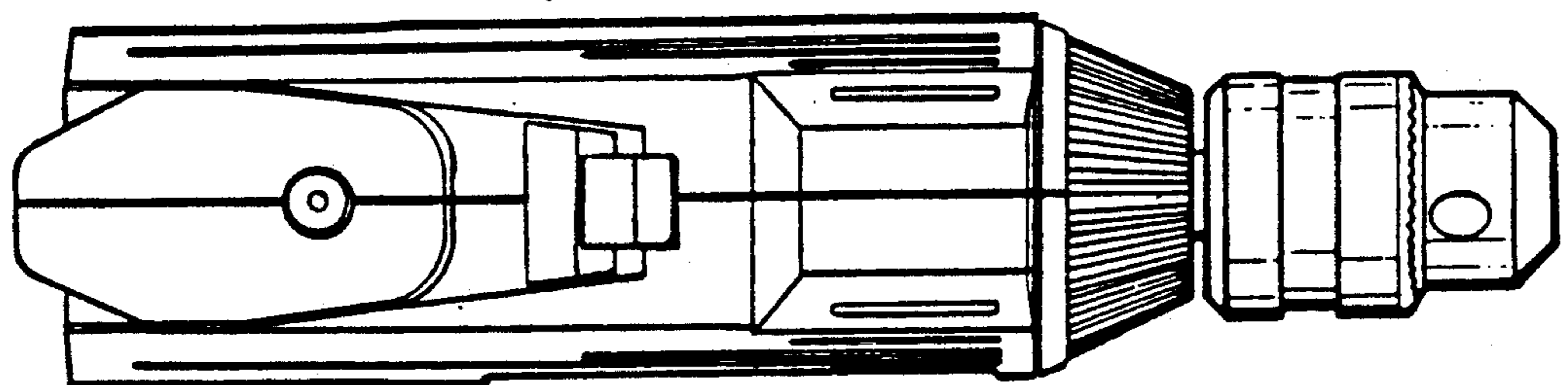


FIG. 4

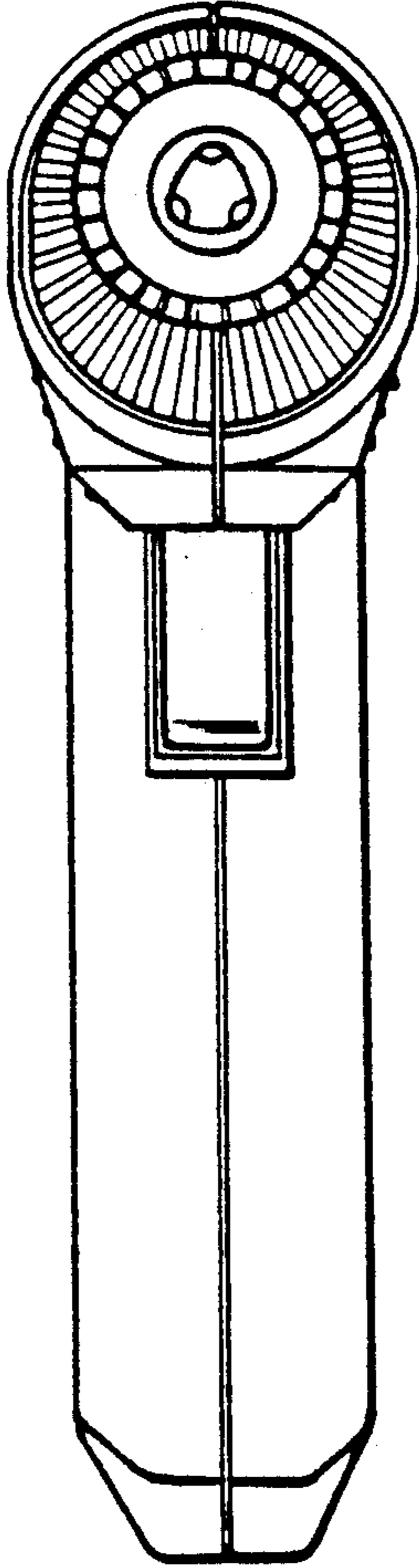


FIG. 5

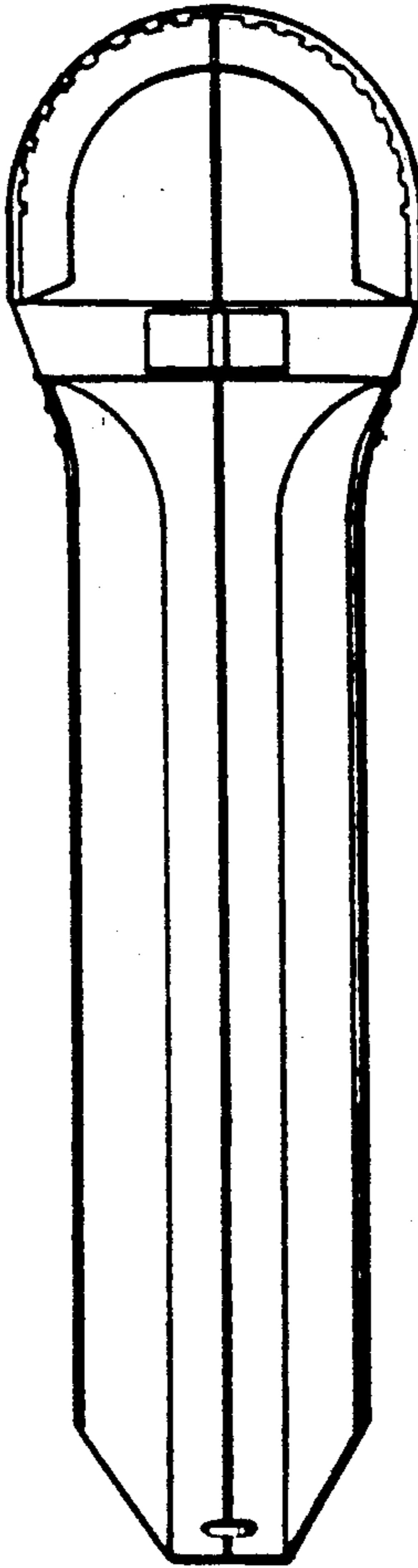


FIG. 6

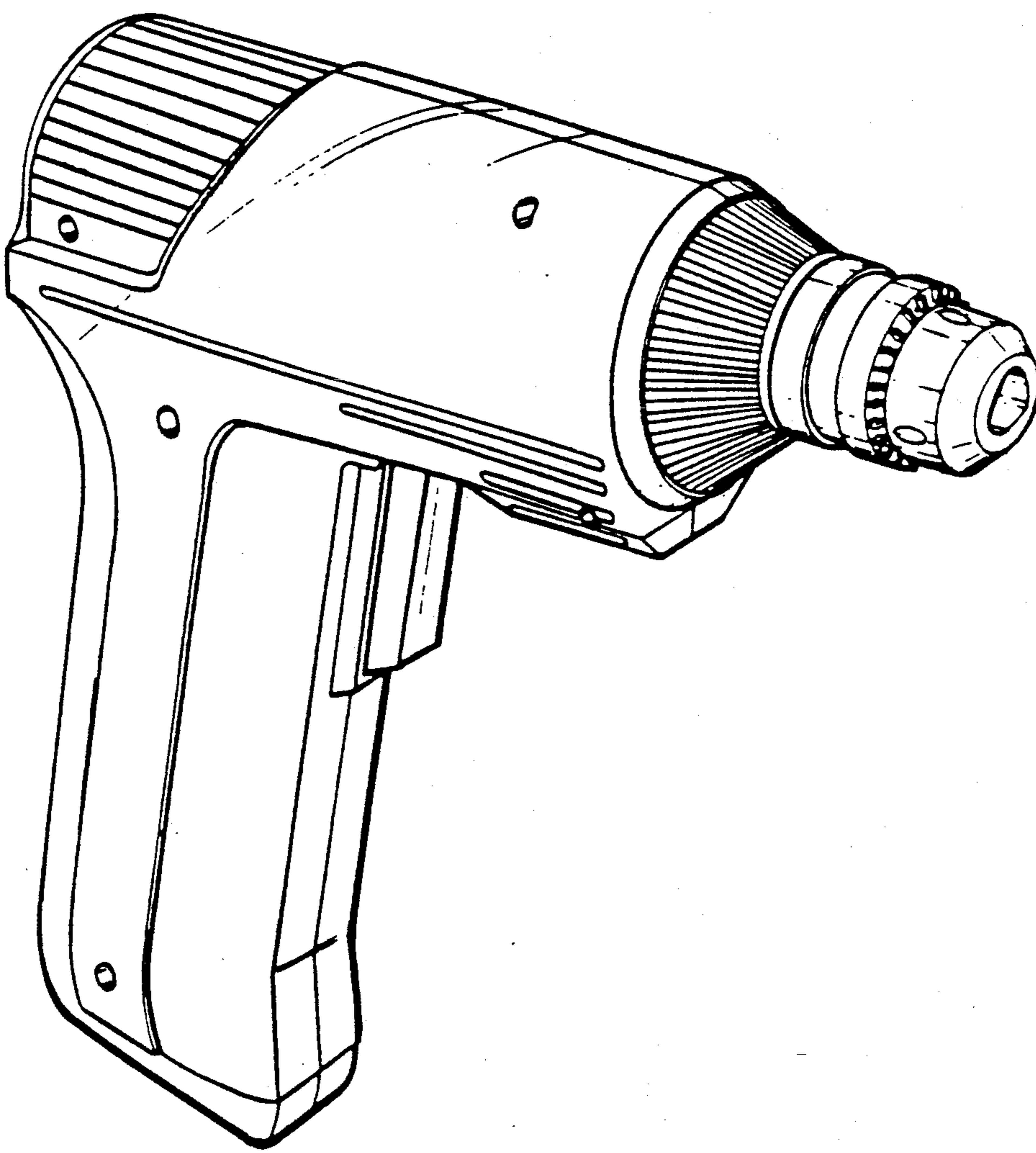


FIG. 7

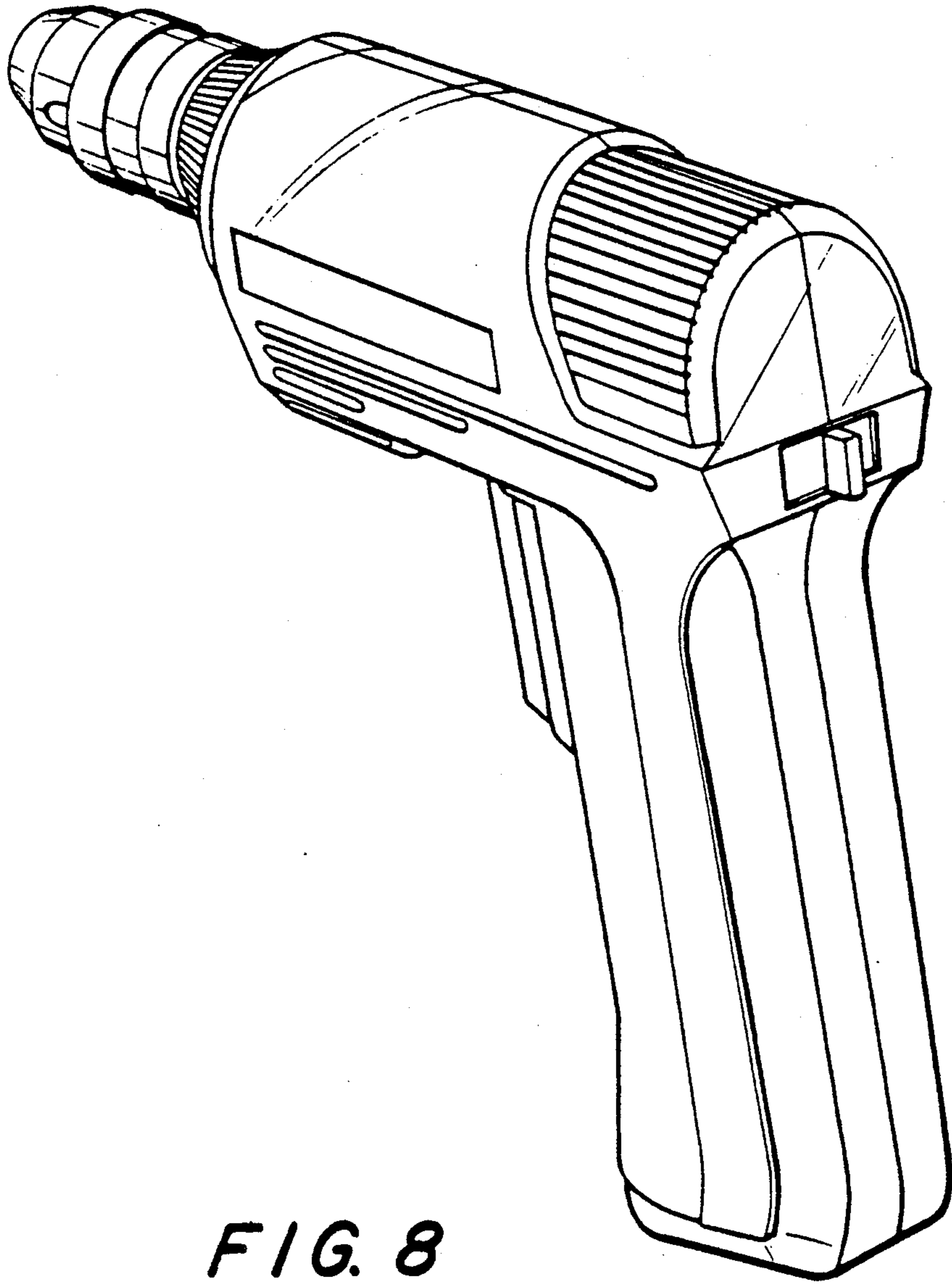


FIG. 8