

United States Patent [19]

Henry

[11] Patent Number: **Des. 321,115**

[45] Date of Patent: **** Oct. 29, 1991**

[54] **FABRIC SHAVER**

[75] Inventor: **Donald R. Henry, New York, N.Y.**

[73] Assignee: **Welcome Industrial Corp., North Bayshore, N.Y.**

[**] Term: **14 Years**

[21] Appl. No.: **260,901**

[22] Filed: **Oct. 21, 1988**

[52] U.S. Cl. **D8/61**

[58] Field of Search **D8/61, 63; D32/21, 31; 30/43.6, 264, 133**

[56] **References Cited**

U.S. PATENT DOCUMENTS

2,082,987 6/1937 Steinhilper 30/43.6
3,125,807 3/1964 Bayard 30/264

4,188,720 2/1980 Korf 30/133
4,604,800 8/1986 Yamamoto et al. 30/43.6
4,788,769 12/1988 Maruyama 30/133
4,985,999 1/1991 Iwasaki et al. 30/133

Primary Examiner—Nelson C. Holtje
Assistant Examiner—J. H. Musgrove
Attorney, Agent, or Firm—Abelman Frayne & Schwab

[57] **CLAIM**

The ornamental design for a fabric shaver, as shown.

DESCRIPTION

FIG. 1 is a top plan view of a fabric shaver showing my new design;

FIG. 2 is a right side elevational view, the left side view being a mirror image;

FIG. 3 is a front elevational view;

FIG. 4 is a rear elevation view; and

FIG. 5 is a bottom plan view thereof.

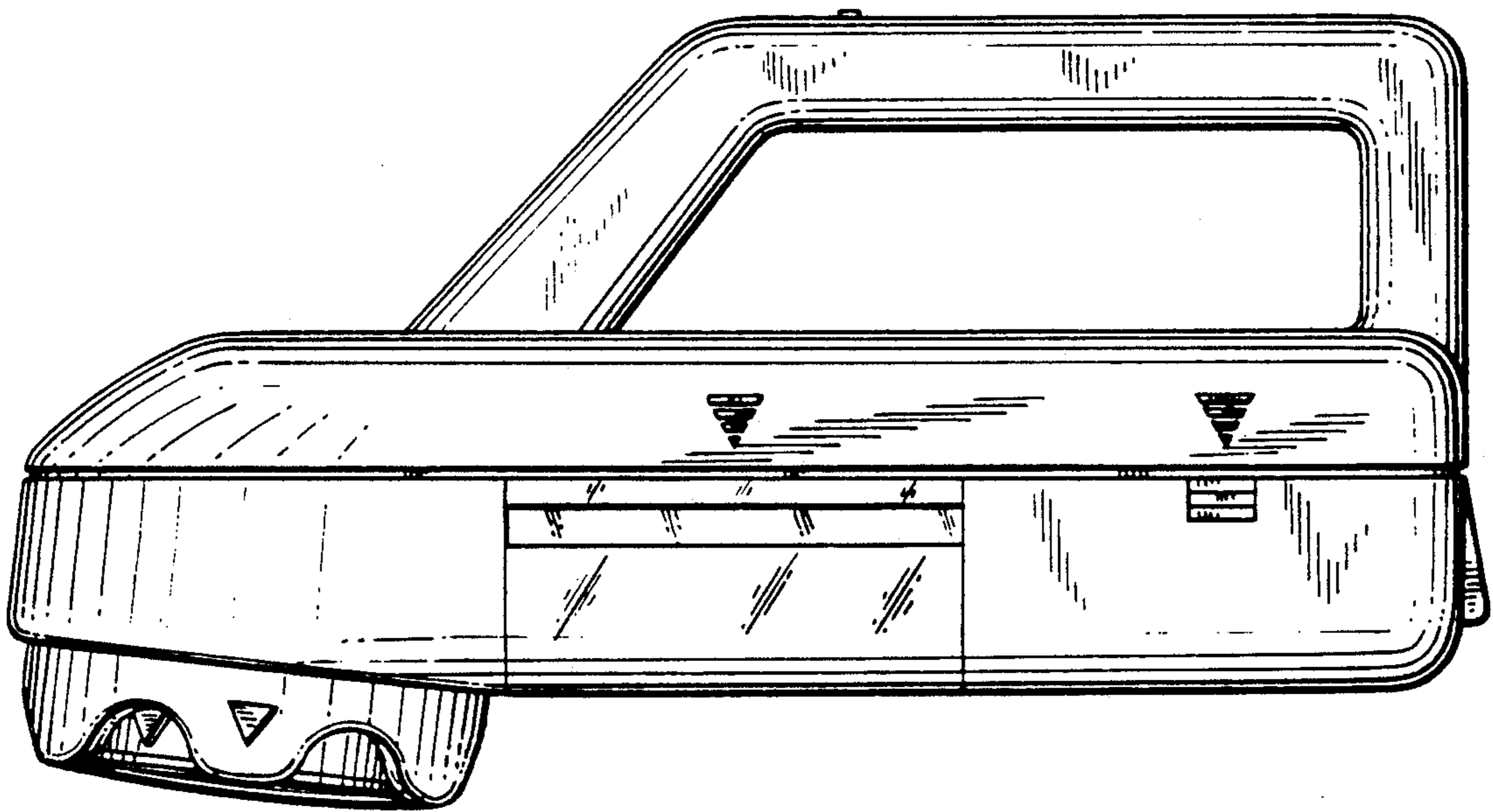


FIG. 1

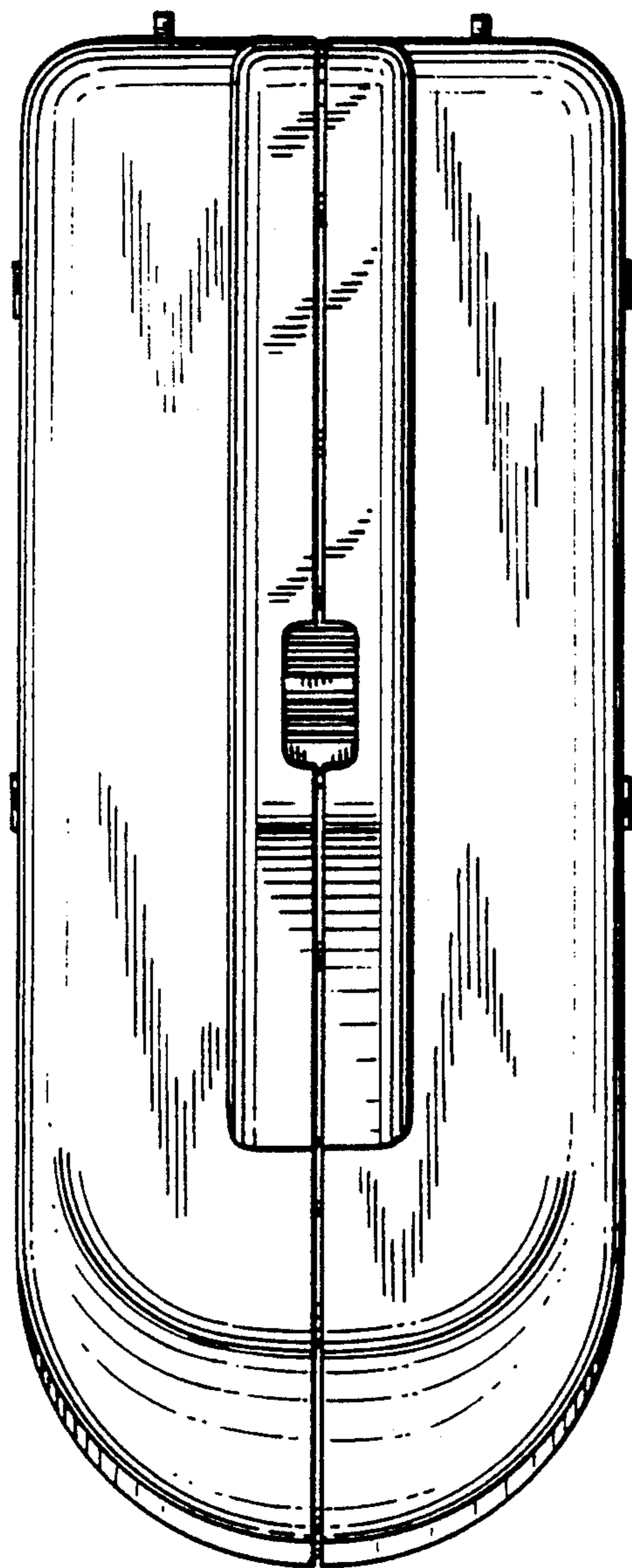


FIG. 2

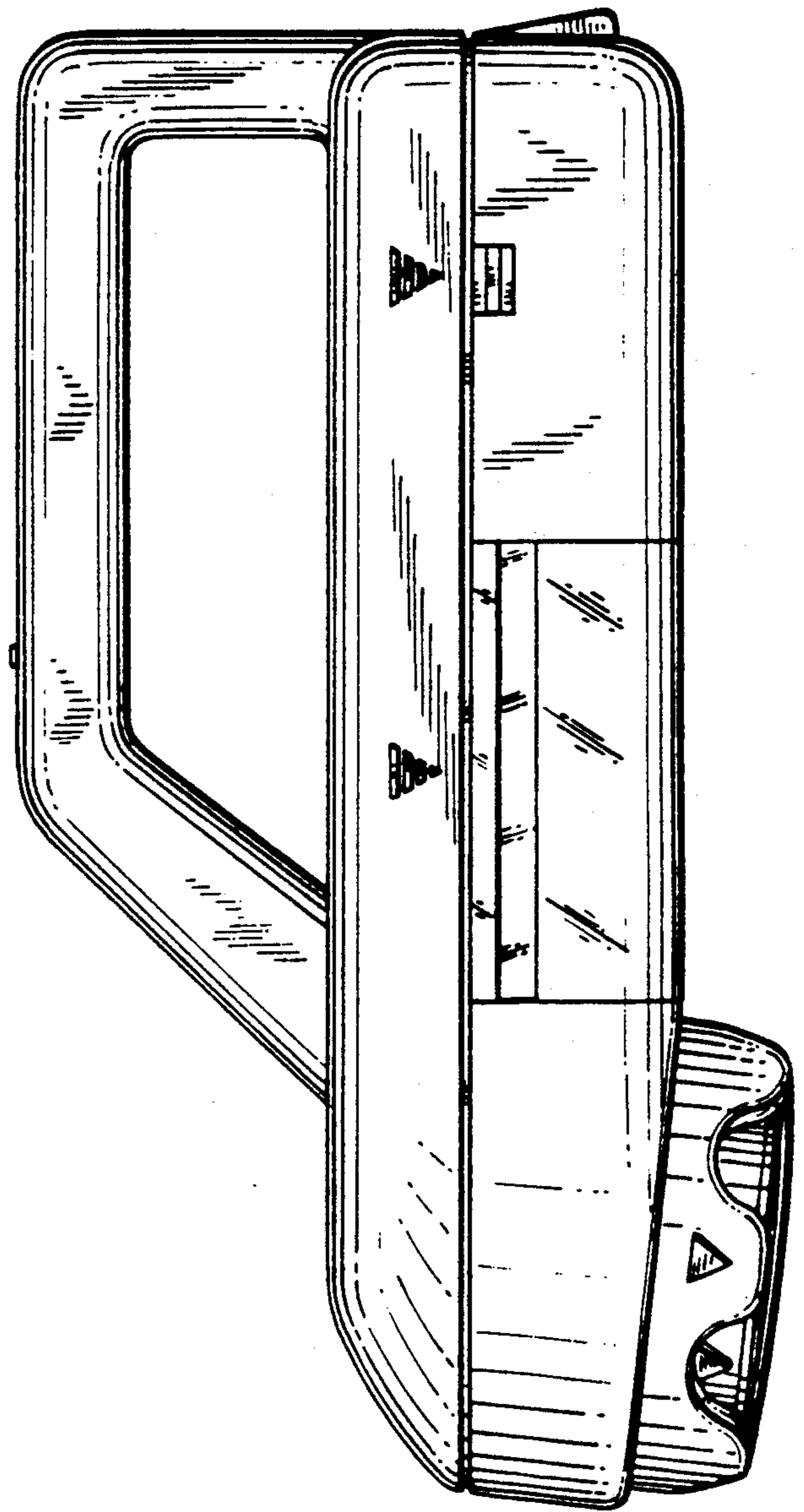


FIG. 4

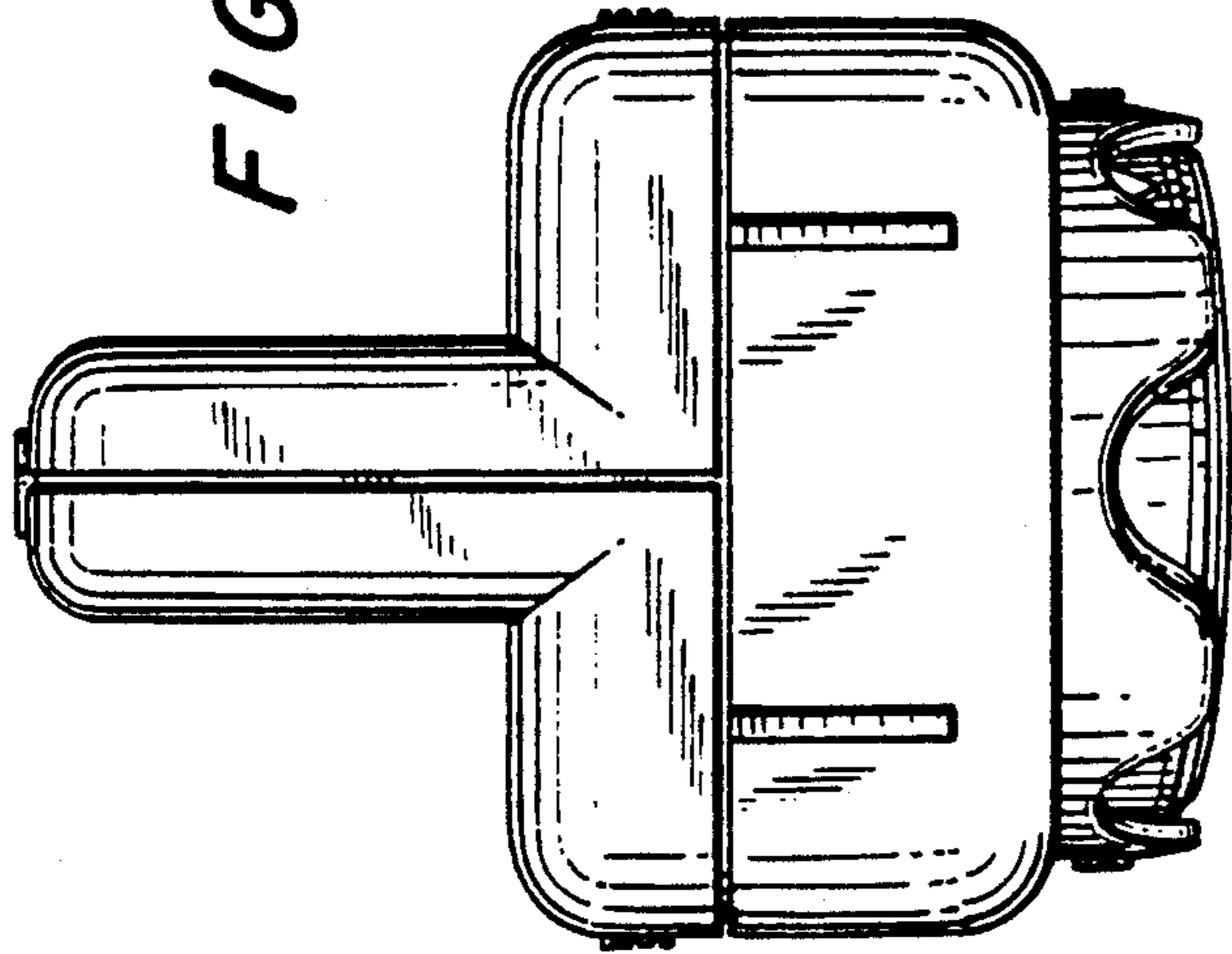


FIG. 5

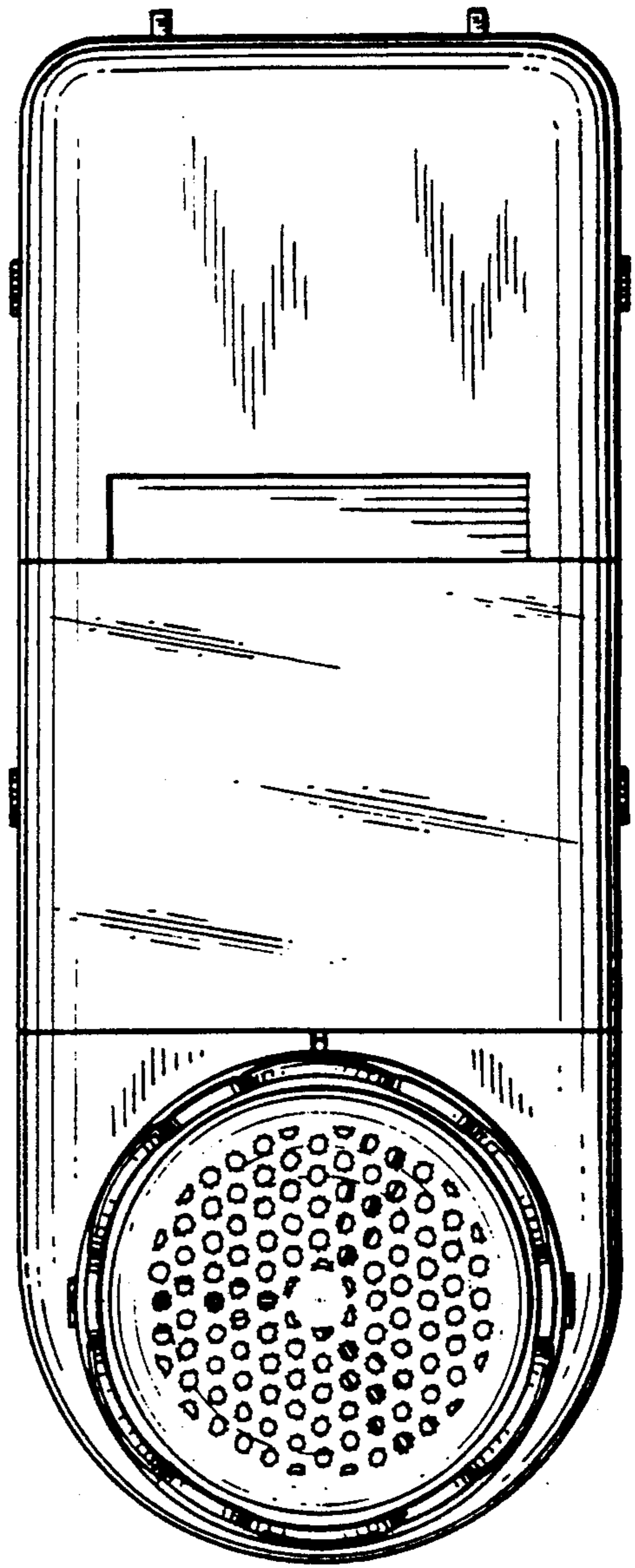


FIG. 3

