

[54] GRILL BASE

[76] Inventors: Jon G. Lutter, 15065 Bowden Ave., Morgan Hill, Calif. 95037; Donald L. Matlock, 12285 Heritage Way, Gilroy, Calif. 95020

[**] Term: 14 Years

[21] Appl. No.: 359,428

[22] Filed: May 31, 1989

[52] U.S. Cl. D7/332

[58] Field of Search D7/332-337, D7/403, 355, 366; 126/38, 25 A, 25 R, 9 R; 248/165, 529, 150, 152, 146; D6/455, 458, 469

[56] References Cited

U.S. PATENT DOCUMENTS

D. 293,191 12/1987 Stephen et al. D7/332

943,569	12/1909	Scamardi	D7/337 X
1,544,651	7/1925	Klinert	D7/337
2,787,995	4/1957	Alter	248/146
4,498,452	2/1985	Schlosser et al.	126/25 R
4,576,140	3/1986	Schlosser	248/150 X
4,624,239	11/1986	Yellin	126/25 R

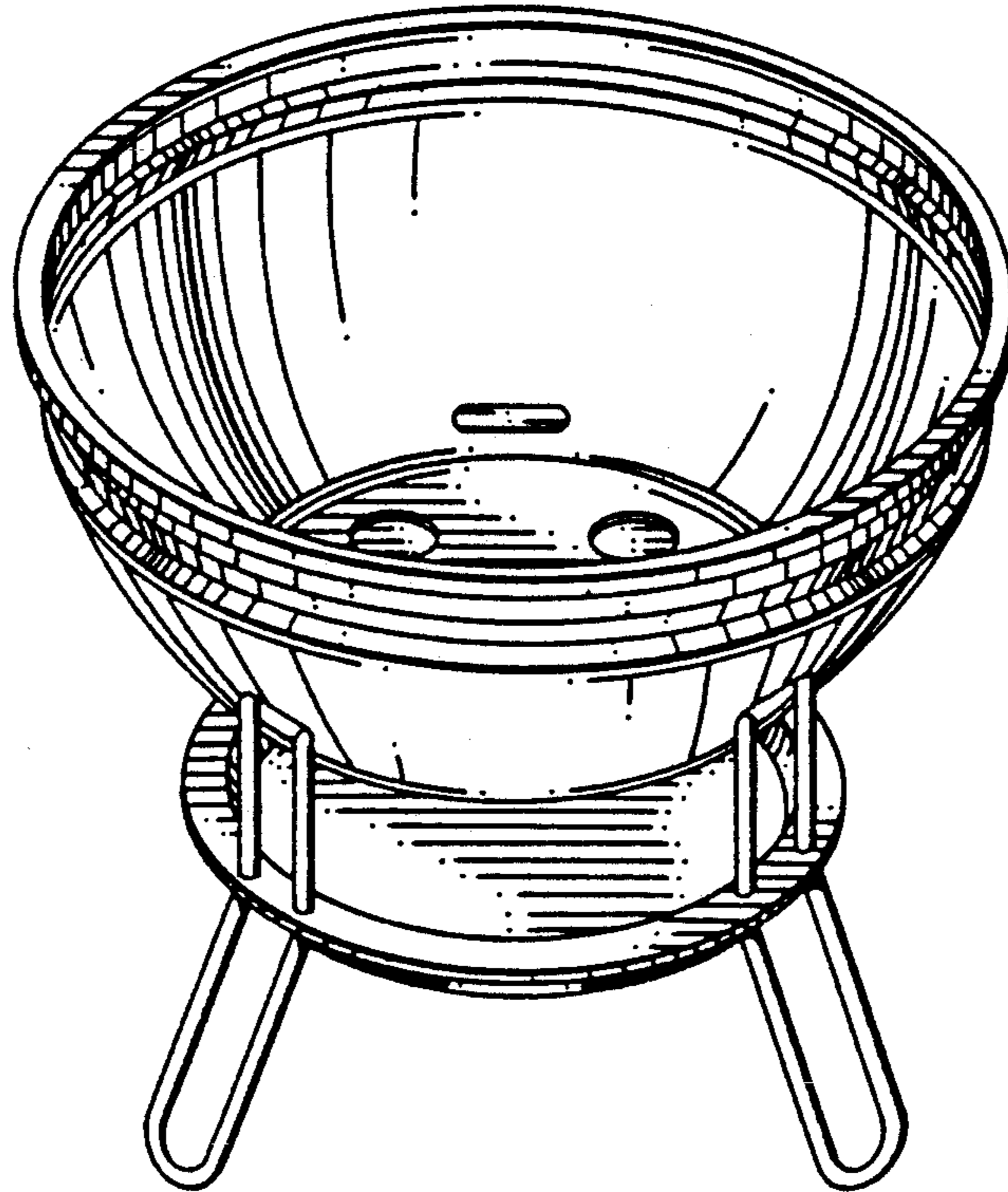
Primary Examiner—A. Hugo Word
Assistant Examiner—Doris V. Coles
Attorney, Agent, or Firm—H. Gordon Shields

[57] CLAIM

The ornamental design for a grill base, as shown and described.

DESCRIPTION

FIG. 1 is a front, perspective view of a grill base, showing our new design;
FIG. 2 is a rear elevational view thereof;
FIG. 3 is a top plan view thereof; and
FIG. 4 is a bottom plan view thereof.



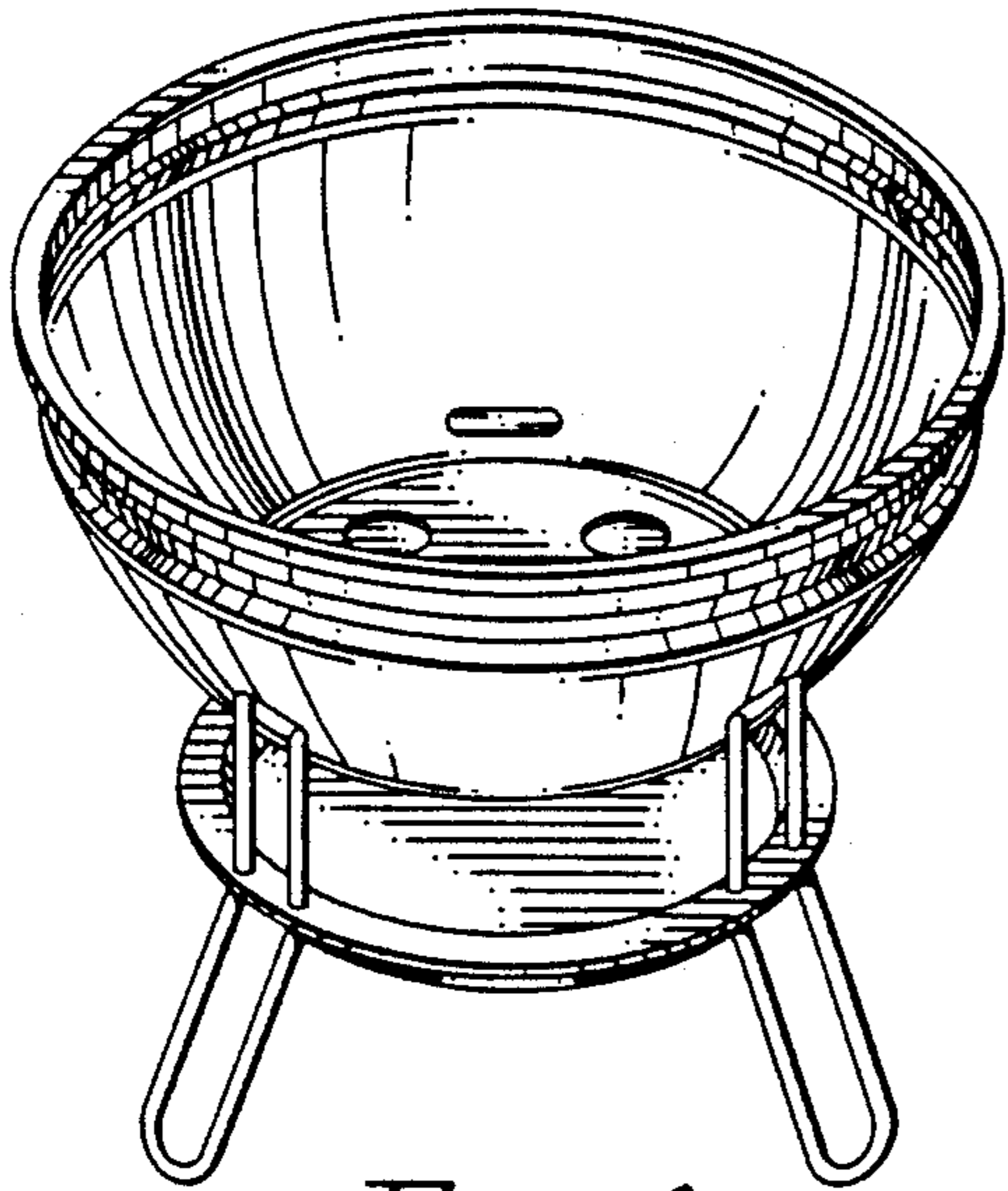


FIG. 1

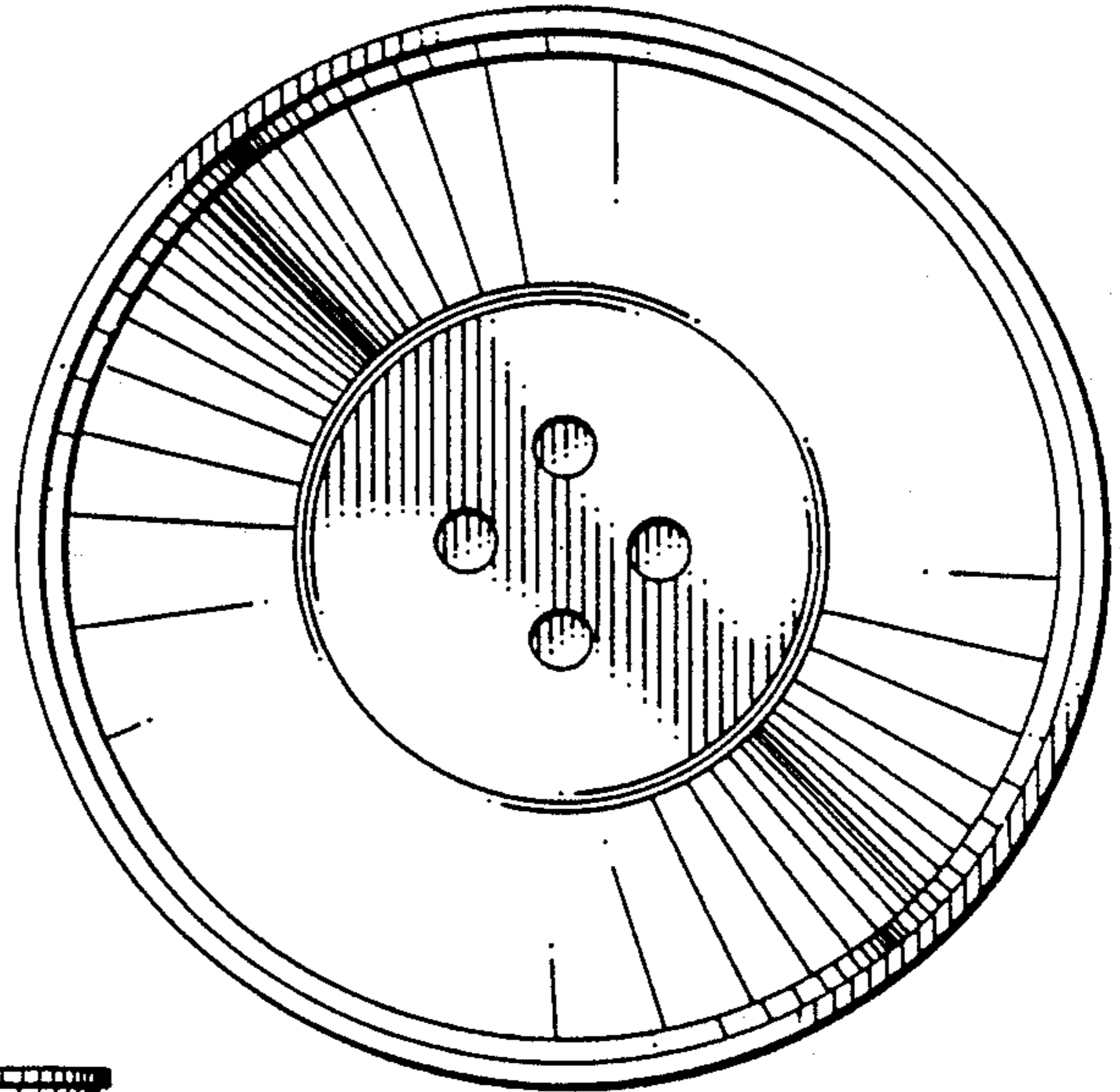


FIG. 3

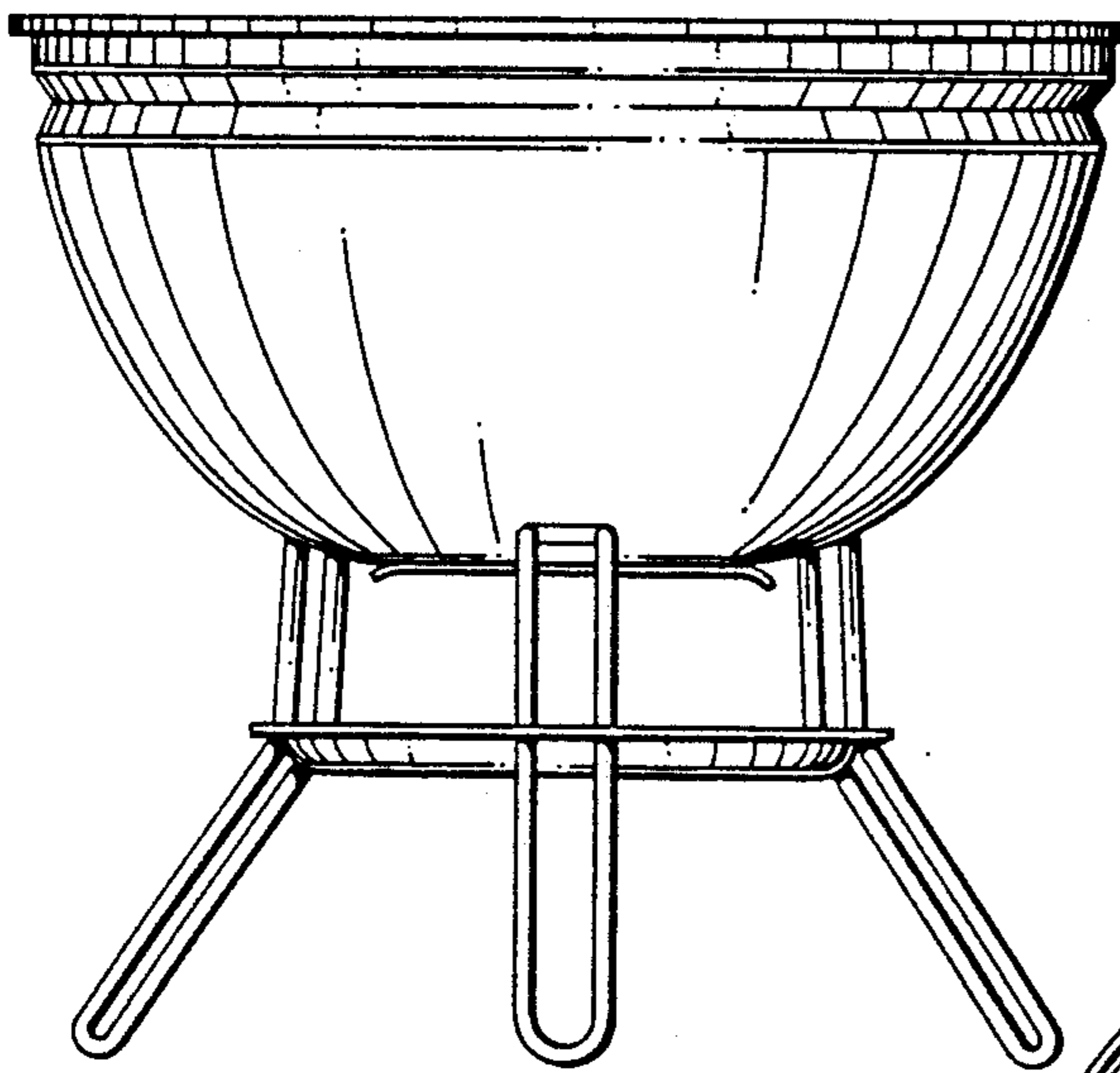


FIG. 2

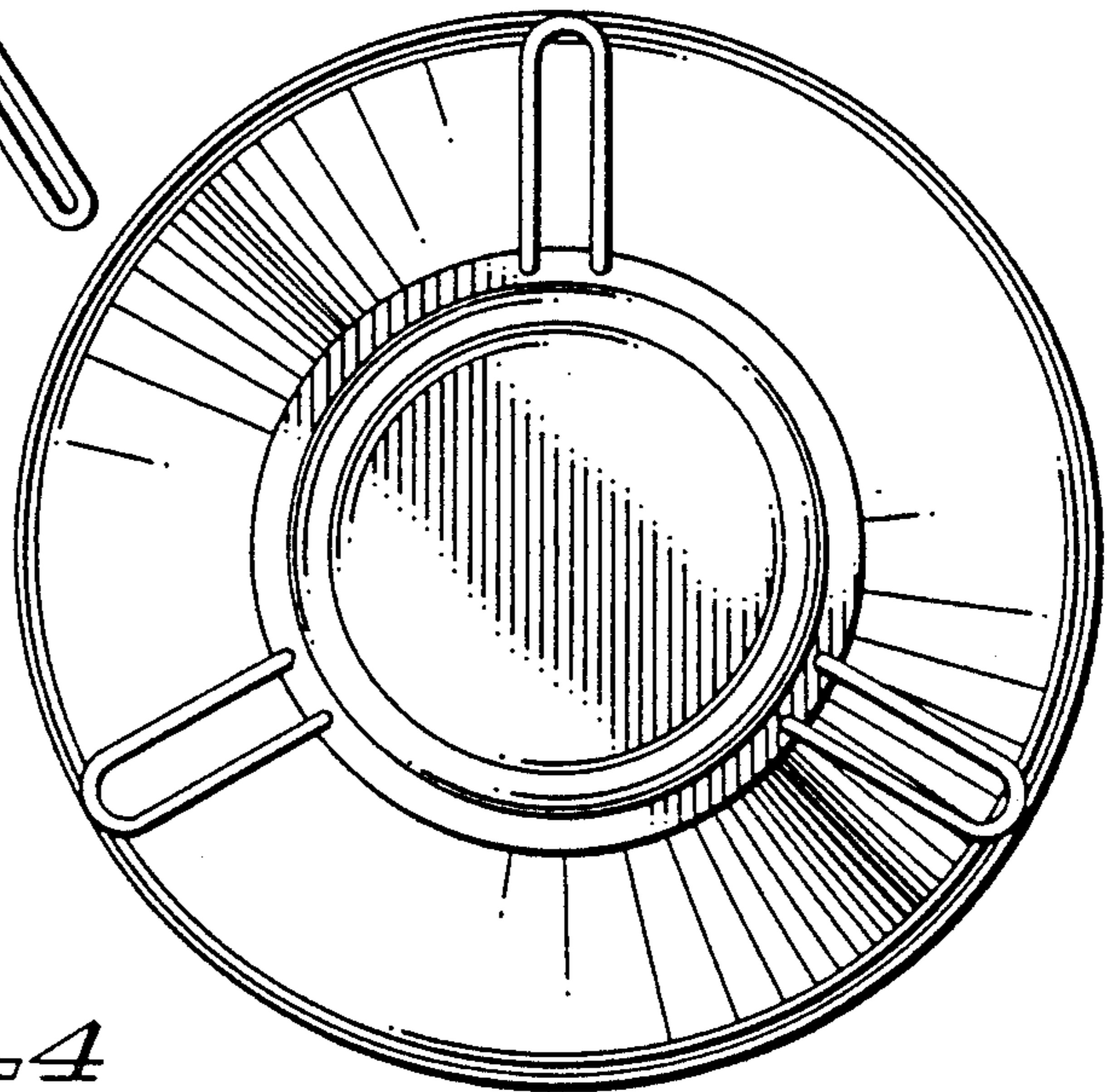


FIG. 4