

[54] DISPLAY FIXTURE

[75] Inventors: Adrian J. Tenser, 37 Scenic Millway, Willowdale, Ontario, Canada, M2L 1S6; Gordon H. Veres, Kettleby, Canada

[73] Assignee: Adrian J. Tenser, Willowdale, Canada

[**] Term: 14 Years

[21] Appl. No.: 403,151

[22] Filed: Sep. 5, 1989

[52] U.S. Cl. D6/572

[58] Field of Search D6/512, 548, 567, 569, D6/571; D8/354, 363, 373; 211/13, 45, 86-89, 106, 123-124, 182; 248/220.2, 220.4, 221.1, 221.2, 302

[56] References Cited

U.S. PATENT DOCUMENTS

- D. 242,512 11/1976 Enckler D8/363 X
- D. 260,466 9/1981 Butcher et al. D6/410
- D. 300,301 3/1989 Furst et al. D8/363

- D. 313,916 1/1991 Ballard D6/572
- 2,515,293 7/1950 Carter 211/89
- 2,931,513 4/1960 Cignoli D6/572 X
- 3,172,539 3/1965 Rulf D6/411 X
- 4,366,908 1/1983 Anderson 211/87

Primary Examiner—Brian N. Vinson
Attorney, Agent, or Firm—Hodgson Russ Andrews Woods & Goodyear

[57] CLAIM

The ornamental design for a display fixture, as shown and described.

DESCRIPTION

FIG. 1 is a top, front, and left side perspective view of a display fixture showing our new design, the fragmentary broken-line depiction of goods displayed being for illustrative purposes only and forming no part of the claimed design;

FIG. 2 is a top plan view thereof;

FIG. 3 is a bottom plan view thereof;

FIG. 4 is a left side elevational view thereof, the right side being a mirror image of that shown;

FIG. 5 is a front elevational view thereof; and

FIG. 6 is a rear elevational view thereof.

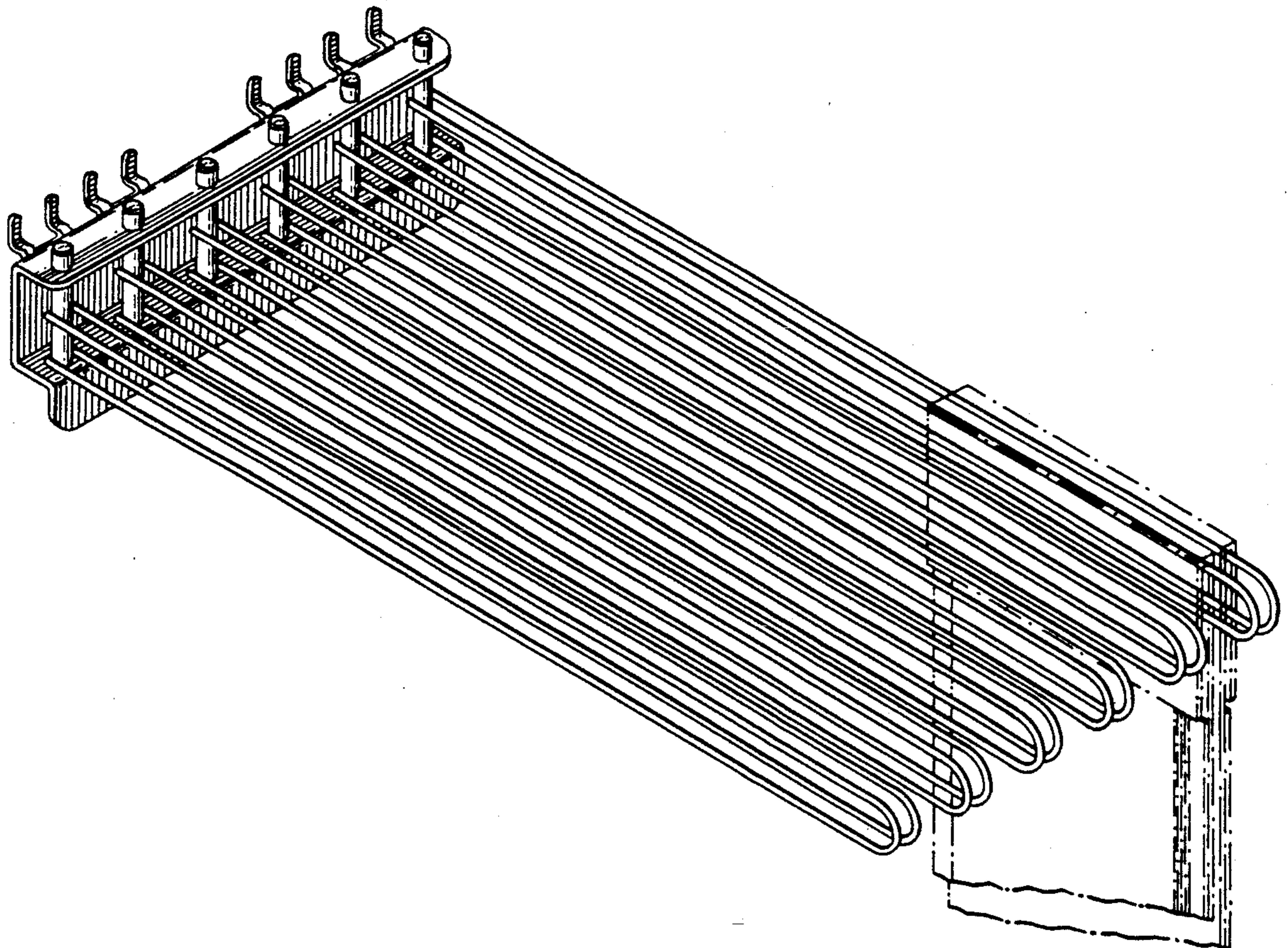
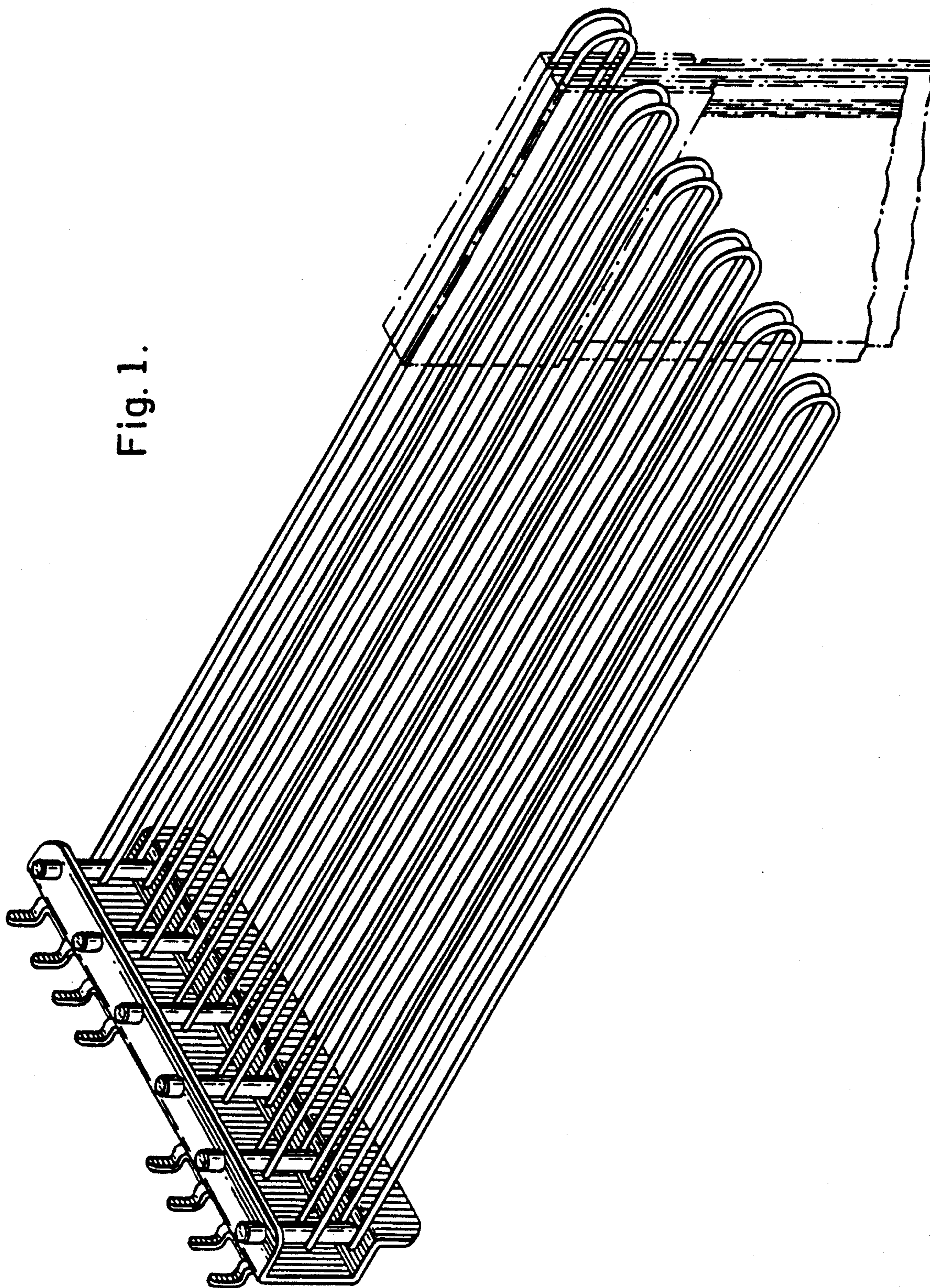


Fig. 1.



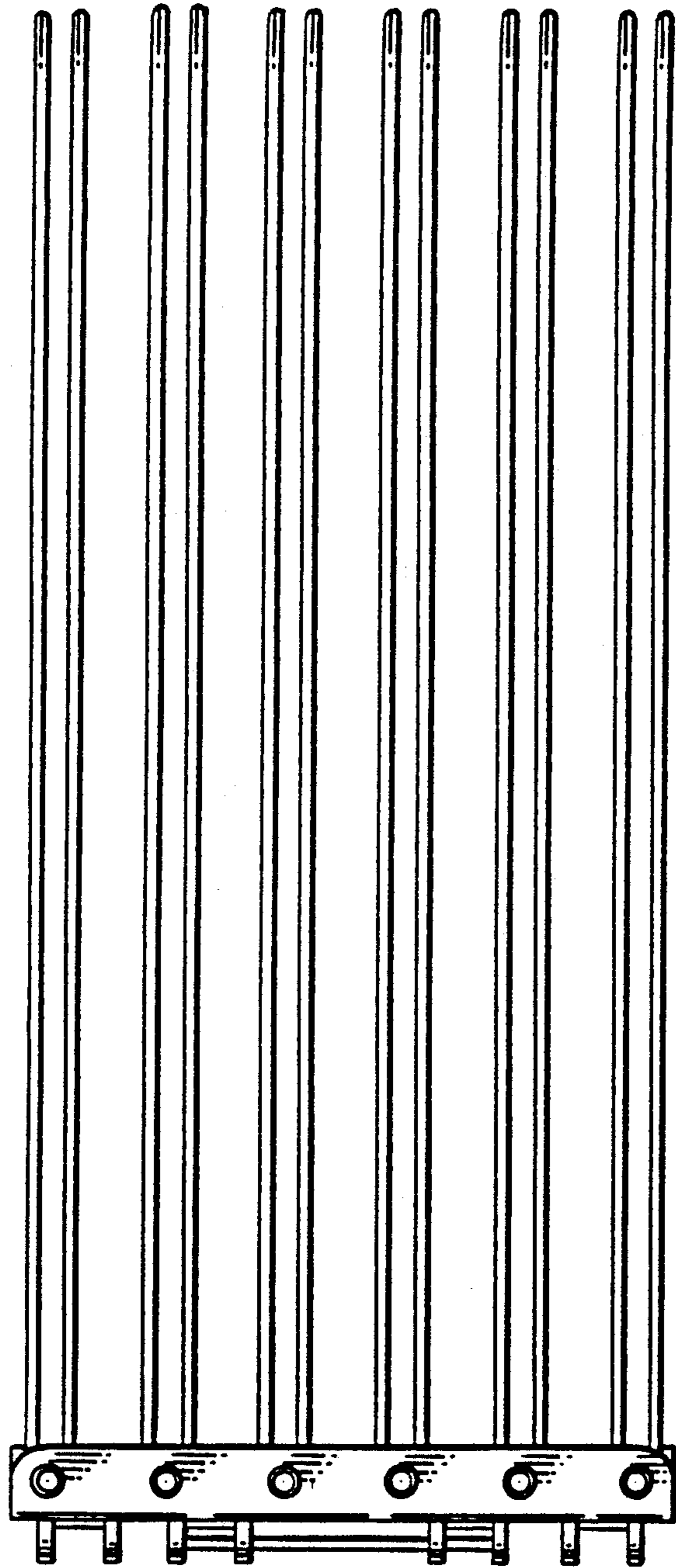


Fig. 2.

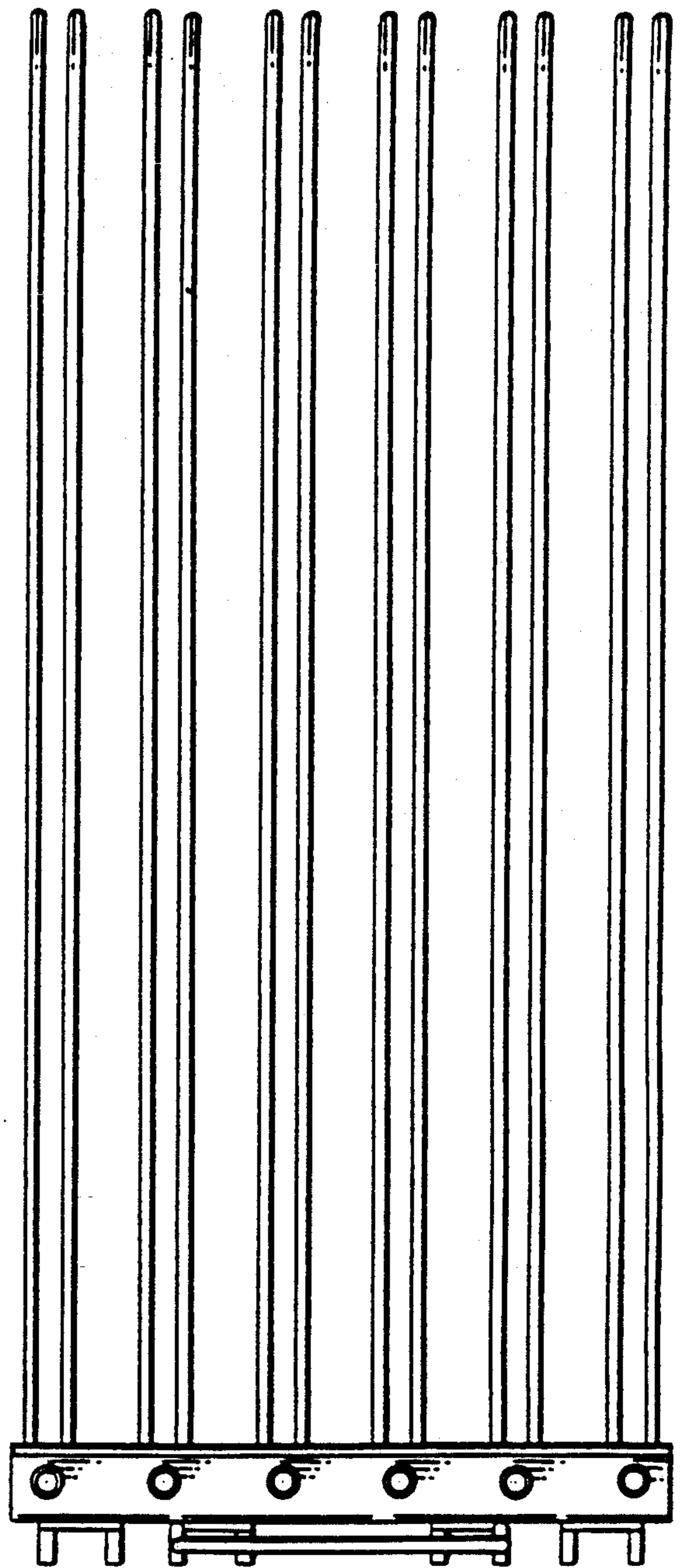


Fig. 3.

Fig. 4.

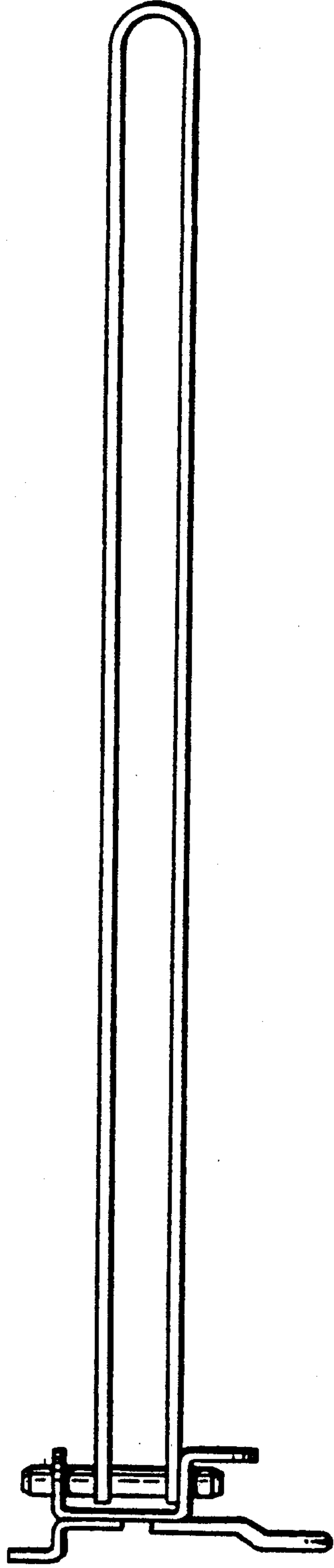


Fig. 5.

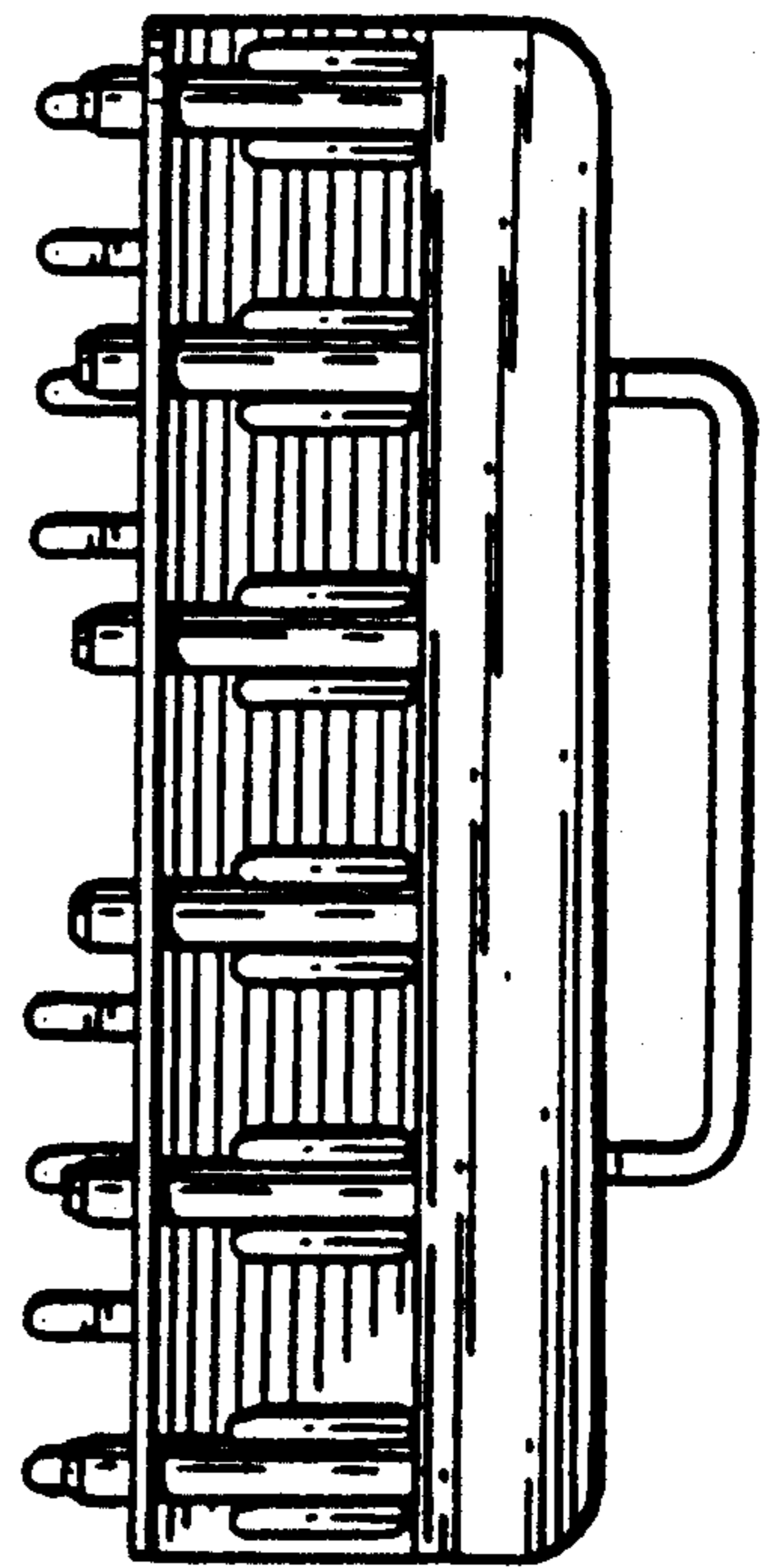


Fig. 6.

