

[54] COMBINATION MULTIPLE ROLL HOLDER AND CUTTER

[56] References Cited

U.S. PATENT DOCUMENTS

- D. 156,646 12/1949 Mell D6/518
- D. 170,673 10/1953 Ziskin et al. D6/520
- 3,737,087 6/1973 Rooklyn 242/55.3 X

FOREIGN PATENT DOCUMENTS

- 2279368 2/1976 France 221/34

Primary Examiner—Brian N. Vinson
Attorney, Agent, or Firm—Frishauf, Holtz, Goodman & Woodward

[75] Inventor: Rolf G. Schülein, Singhofen, Fed. Rep. of Germany

[73] Assignee: Leifheit AG, Nassau/Lahn, Fed. Rep. of Germany

[**] Term: 14 Years

[21] Appl. No.: 524,178

[22] Filed: May 15, 1990

[30] Foreign Application Priority Data

Nov. 20, 1989 [DE] Fed. Rep. of Germany M8907977.9

[52] U.S. Cl. D6/520

[58] Field of Search D6/518-523;
 206/389; 211/16; 221/30, 92; 222/80; 242/55.2, 55.3, 55.53, 56 R, 56.2

[57] CLAIM

The ornamental design for a combination multiple roll holder and cutter, as shown.

DESCRIPTION

FIG. 1 is a top, front and right side perspective view of a combination multiple roll holder and cutter showing my new design;

FIG. 2 is a top plan view thereof;

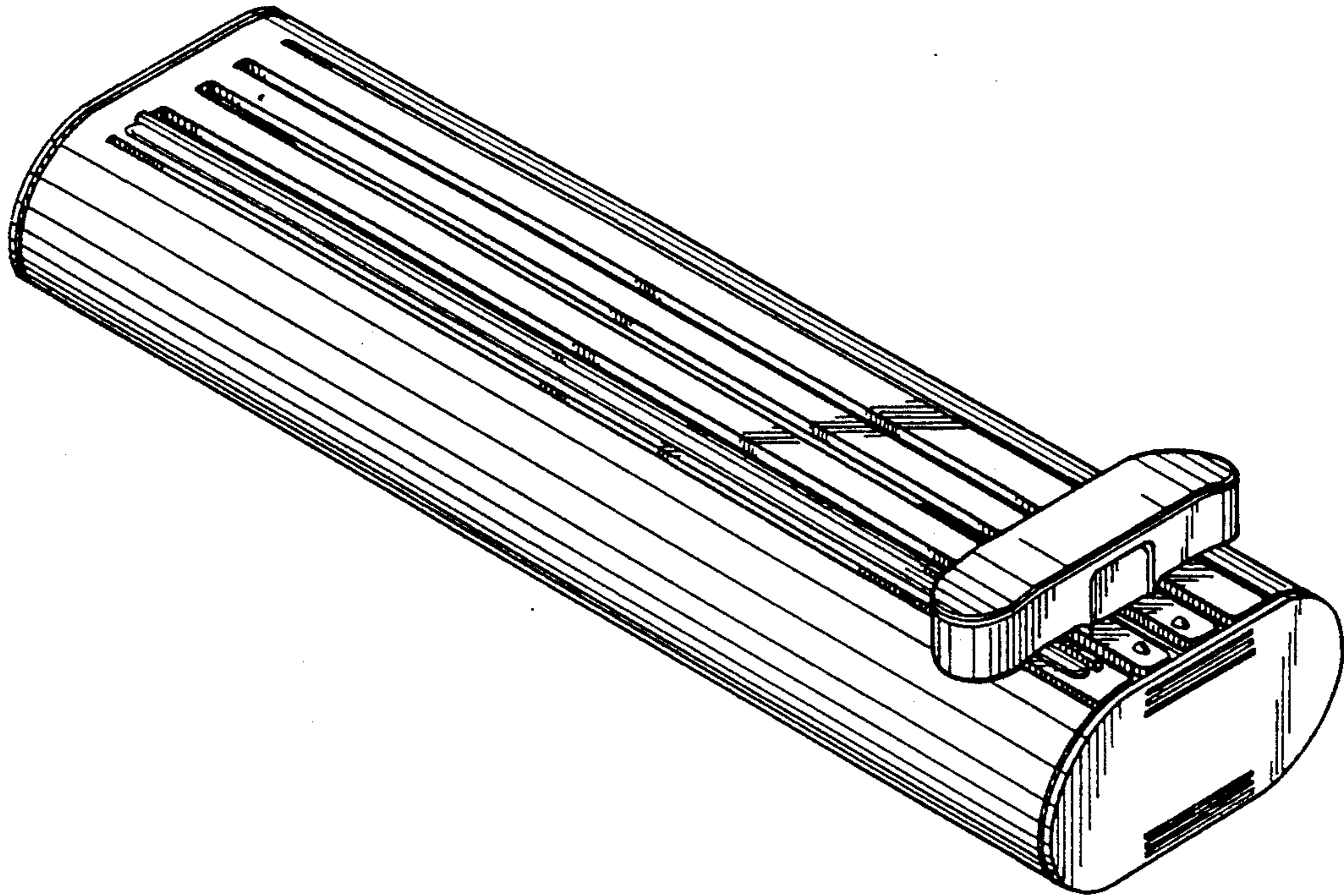
FIG. 3 is a front elevational view thereof;

FIG. 4 is a rear elevational view thereof;

FIG. 5 is a left side view thereof;

FIG. 6 is a right side view thereof; and

FIG. 7 is a bottom plan view thereof.



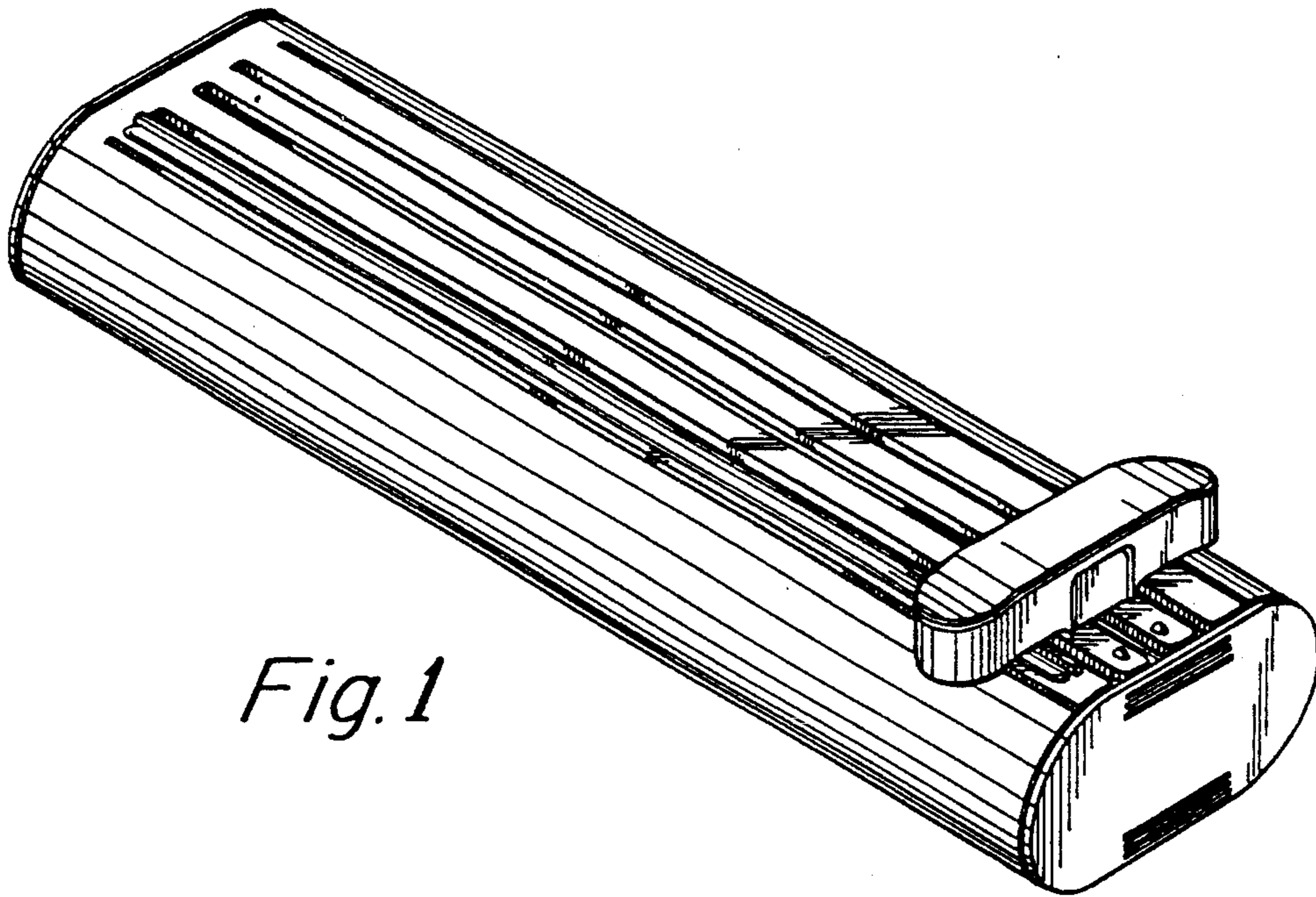


Fig. 1



Fig. 2

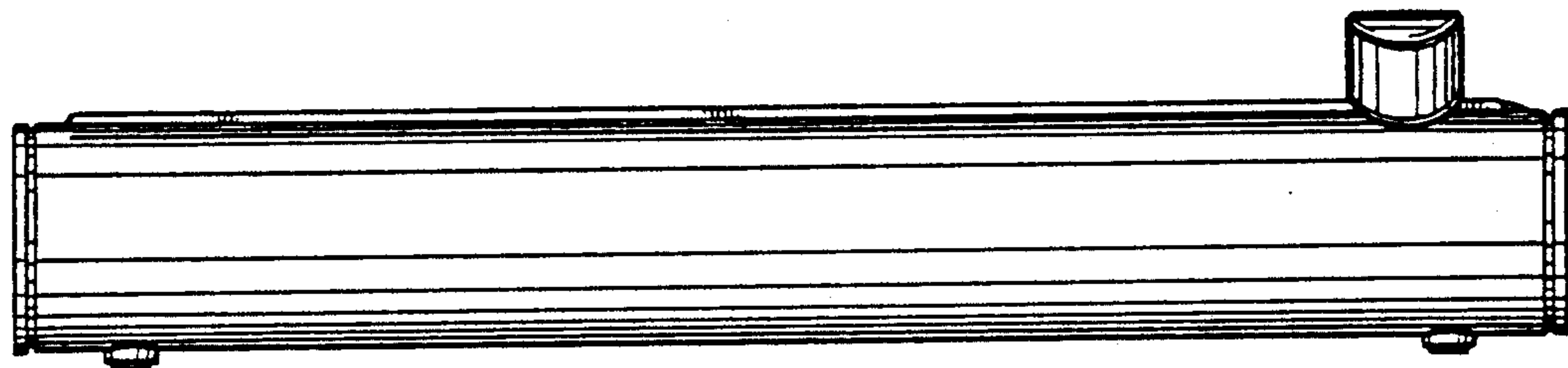


Fig. 3

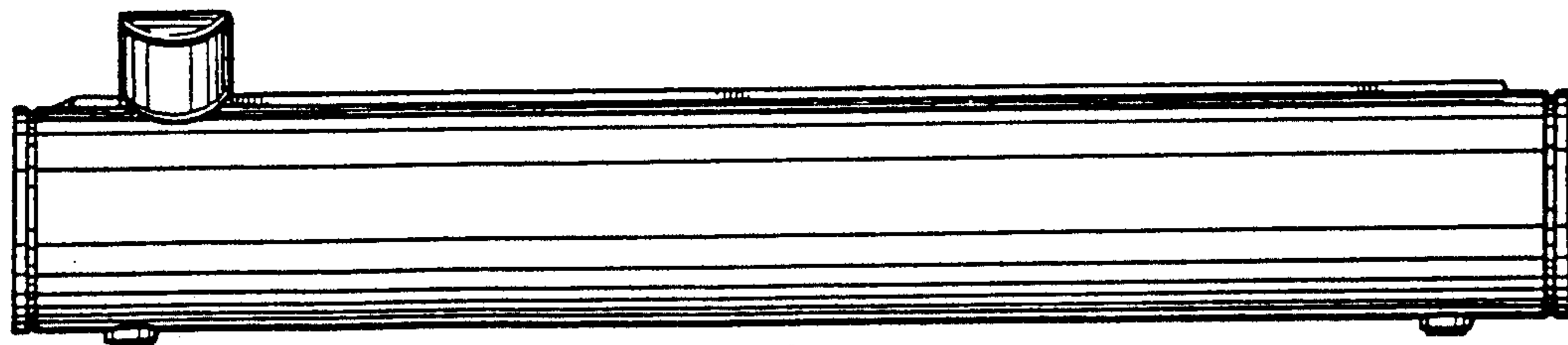


Fig. 4

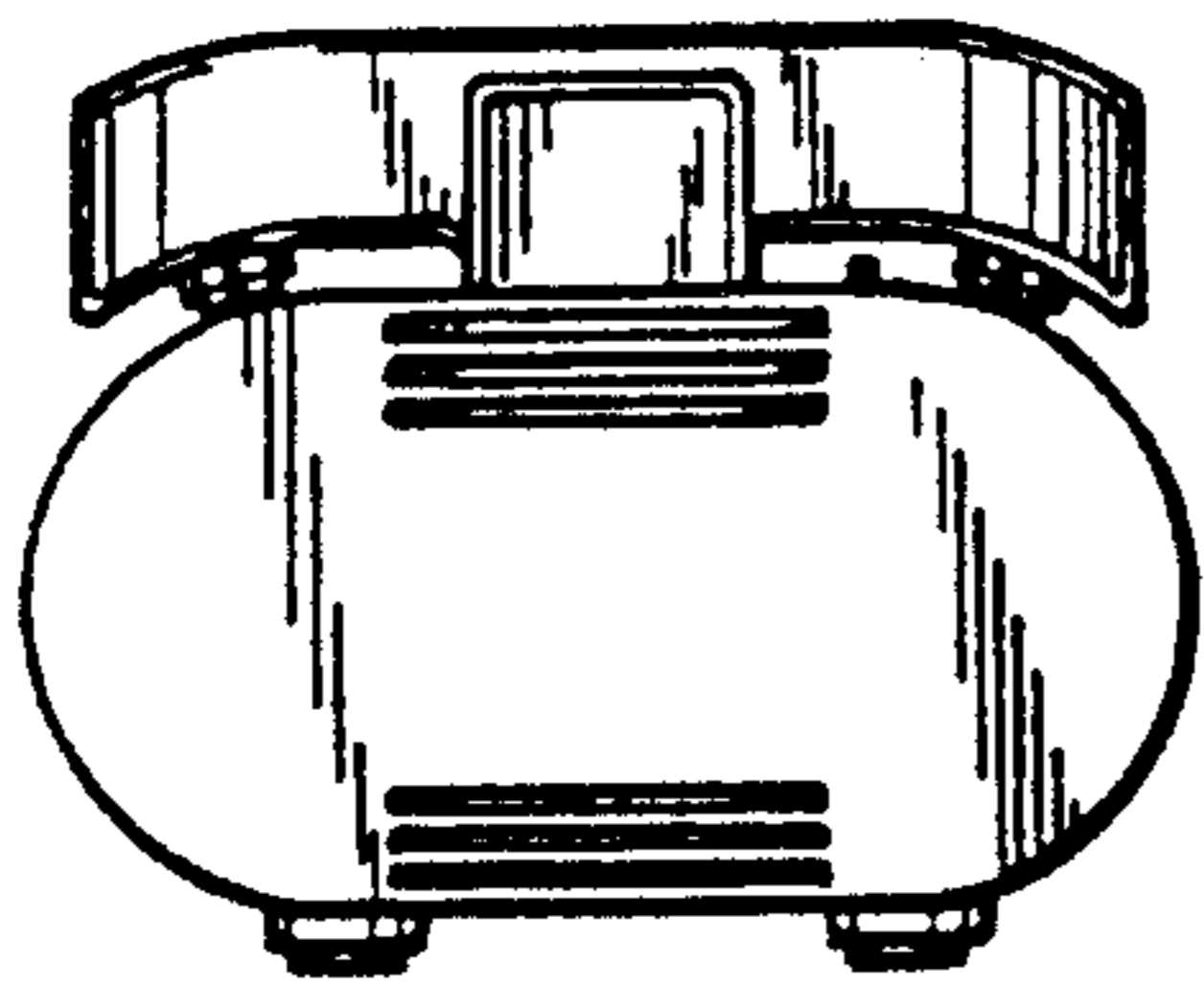


Fig. 5

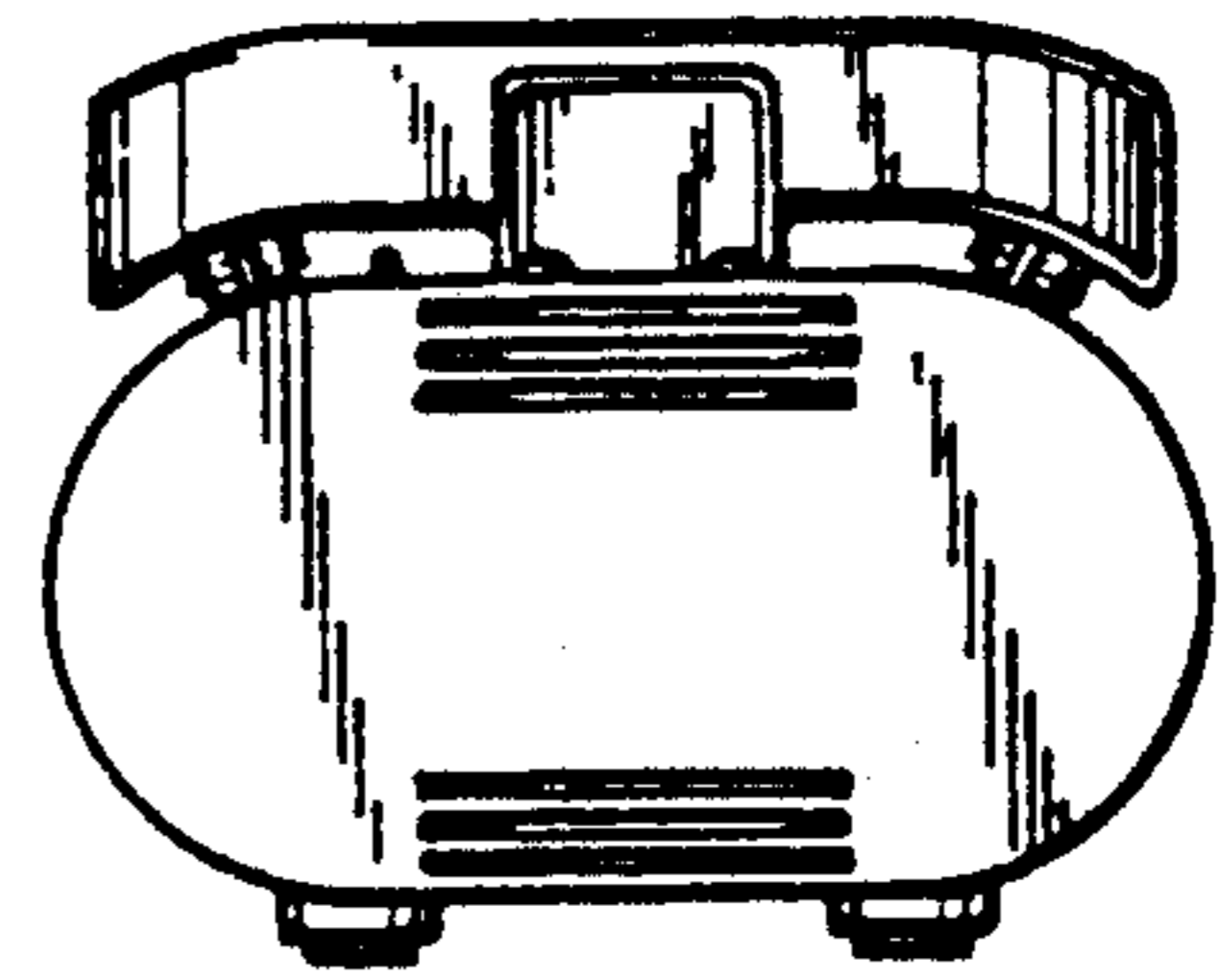


Fig. 6

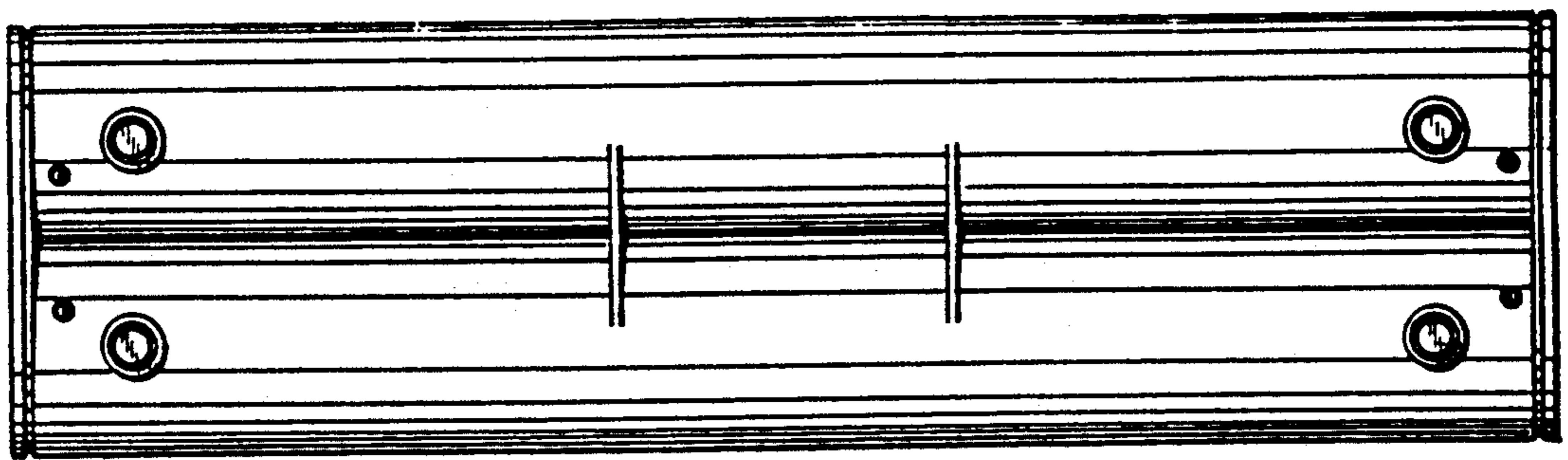


Fig. 7