

[54] DESK

[75] Inventor: Thomas J. Newhouse, Grand Rapids, Mich.

[73] Assignee: Herman Miller, Inc., Zeeland, Mich.

[**] Term: 14 Years

[21] Appl. No.: 680,271

[22] Filed: Apr. 4, 1991

Related U.S. Application Data

[62] Division of Ser. No. 544,852, Jun. 27, 1990, which is a division of Ser. No. 57,830, Jun. 2, 1987, Pat. No. Des. 311,833.

[52] U.S. Cl. D6/484; D6/426; D6/474

[58] Field of Search D6/422, 428, 474, 484; 312/194-196

[56] References Cited

U.S. PATENT DOCUMENTS

- D. 247,732 4/1978 Robinson D6/426
- D. 252,660 8/1979 Lerner et al. D6/426 X
- D. 265,783 8/1982 Fusselman D6/426
- D. 270,690 9/1983 Daventry D6/474 X
- D. 294,666 3/1988 Favaretto et al. D6/426 X

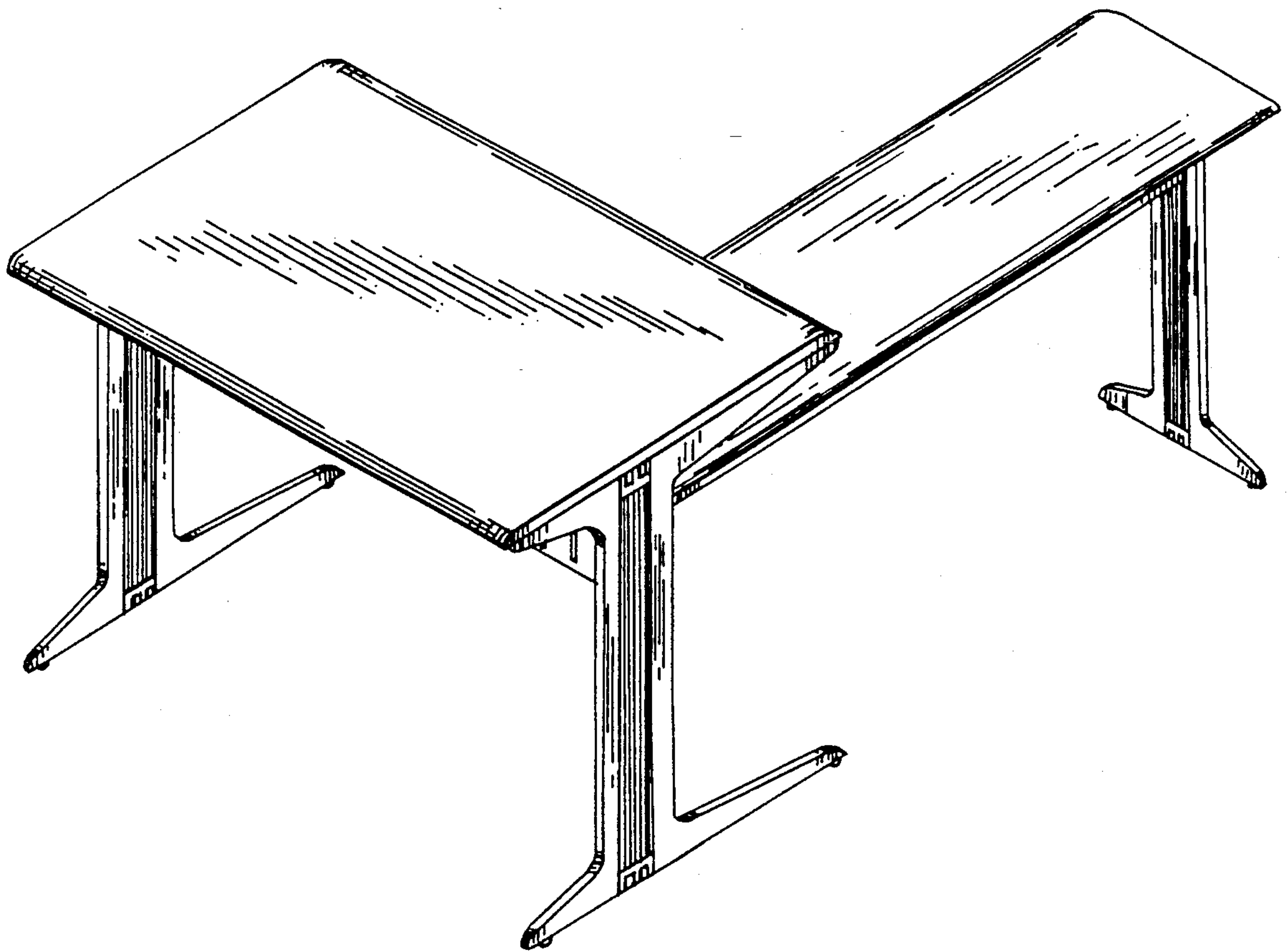
Primary Examiner—Carmen H. Vales-Lado
Attorney, Agent, or Firm—Varnum, Riddering, Schmidt & Howlett

[57] CLAIM

The ornamental design for a desk, as shown and described.

DESCRIPTION

FIG. 1 is a front perspective view of a desk showing my new design; FIG. 2 is a right perspective view thereof; and FIG. 3 is a top plan view thereof.



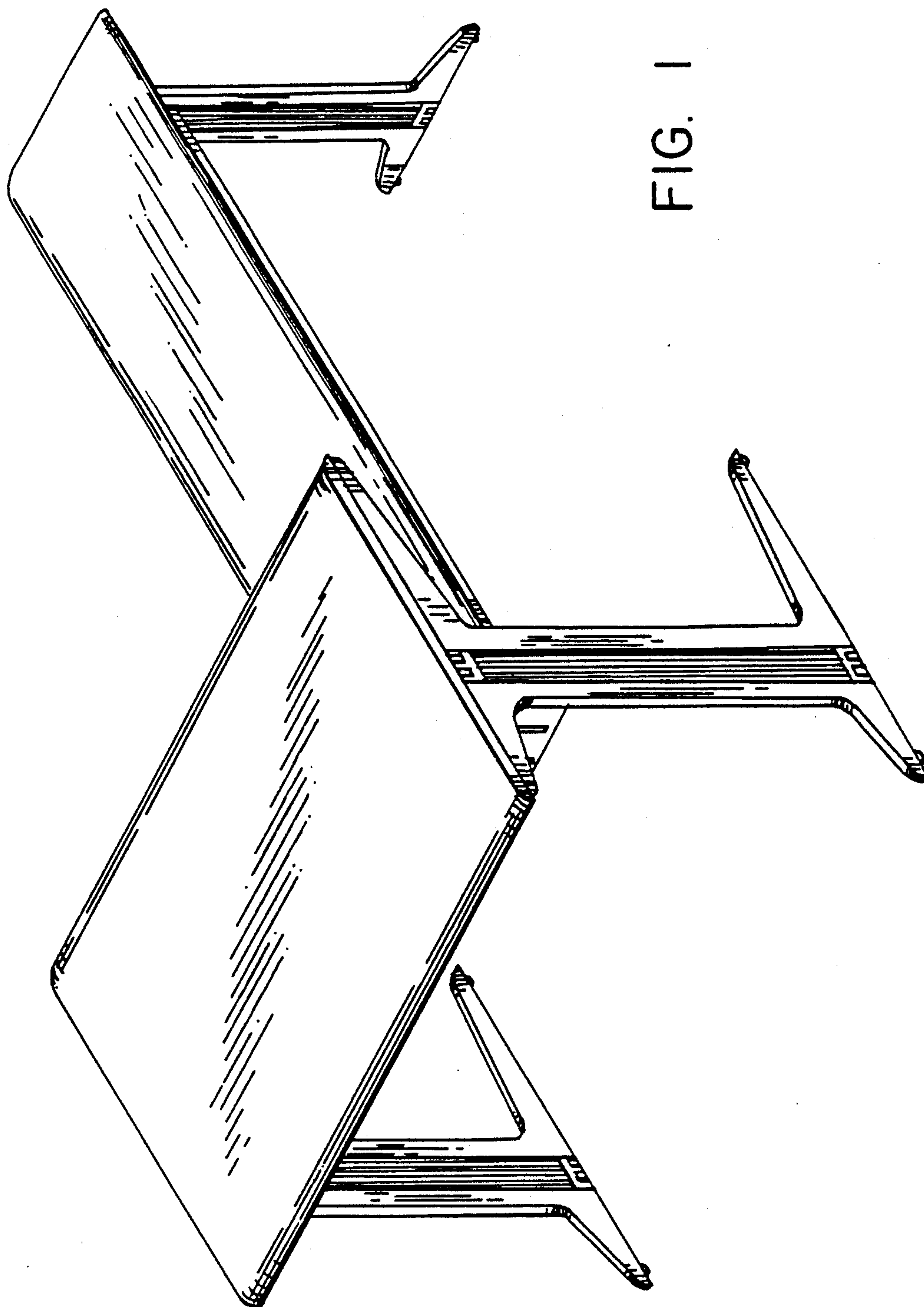


FIG. 1

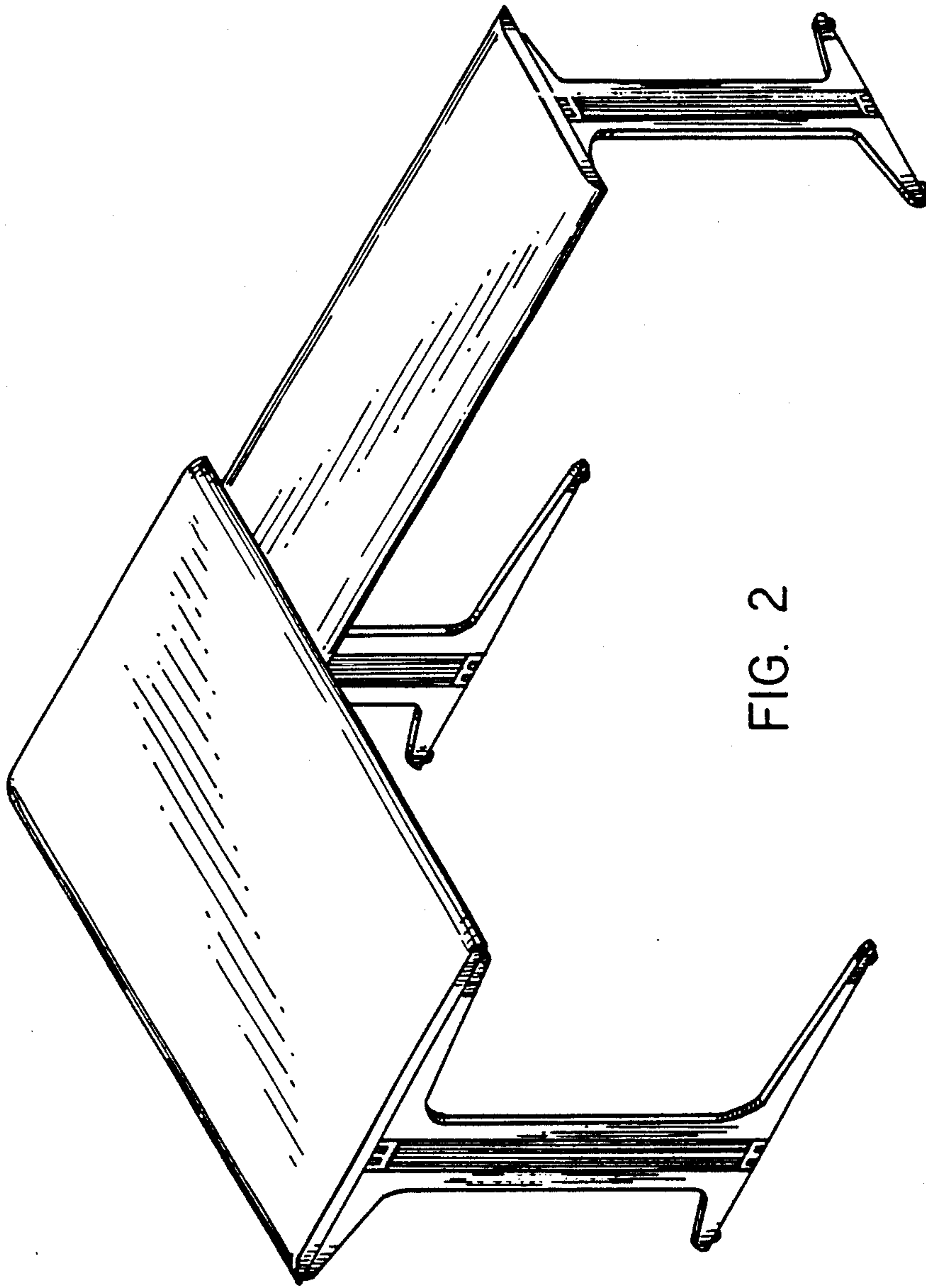


FIG. 2

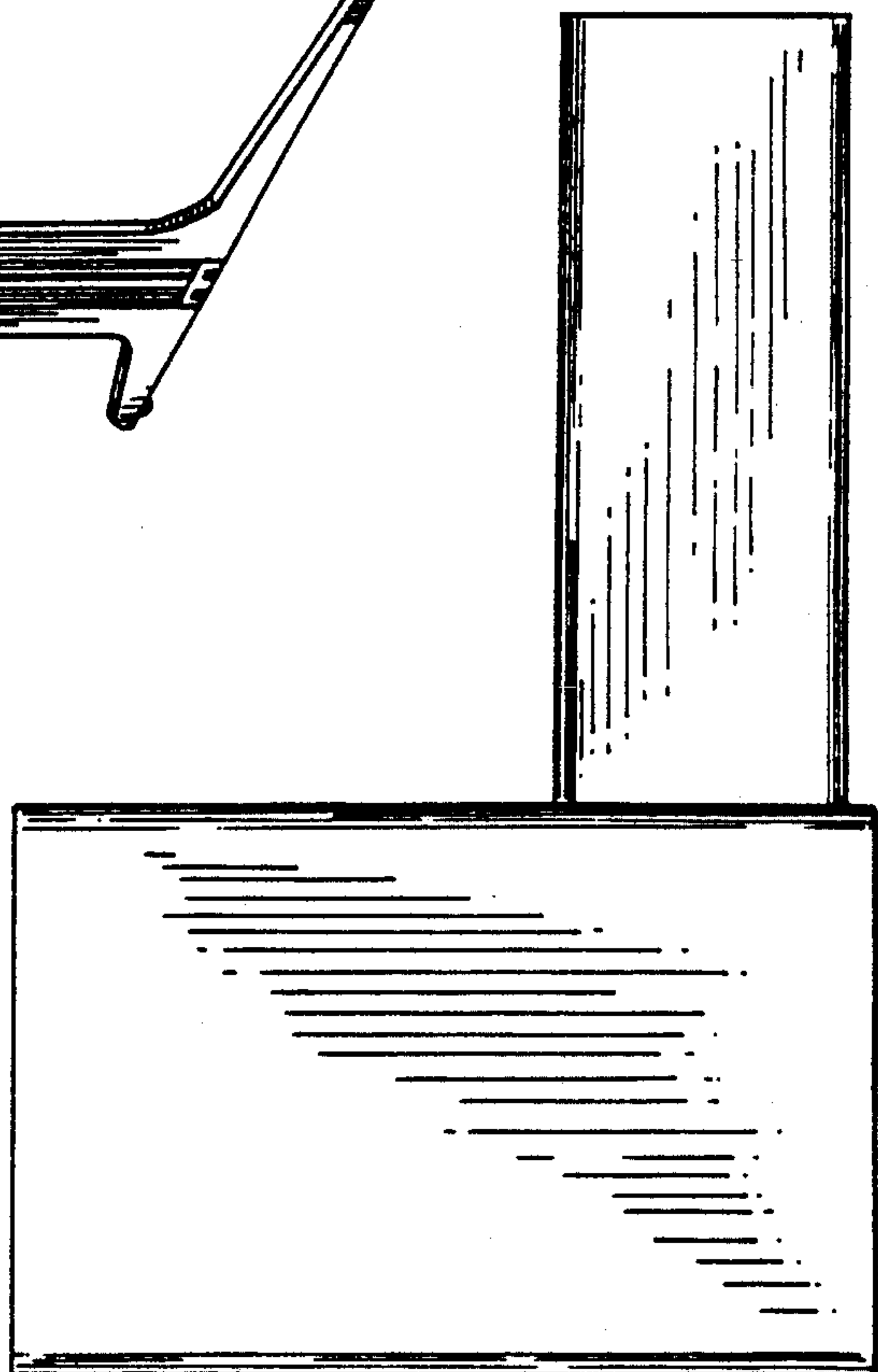


FIG. 3