

[54] MODULAR DISPLAY STAND

[75] Inventor: Armand S. Zucker, Skokie, Ill.

[73] Assignee: RTC Industries, Inc., Chicago, Ill.

[**] Term: 14 Years

[21] Appl. No.: 189,959

[22] Filed: May 2, 1988

[52] U.S. Cl. D6/479; D6/461

[58] Field of Search D6/479, 478, 477, 455,
D6/450, 460, 461; 211/77, 78, 163, 108, 92, 94,
98

[56] References Cited

U.S. PATENT DOCUMENTS

D. 186,060	9/1959	Udesky	D6/450
D. 240,377	7/1976	Goulder	D6/479 X
D. 288,878	3/1987	Munson	D6/477 X
2,540,353	2/1951	Schick	211/186
3,170,415	2/1965	Suilokos	D6/474 X

3,180,228	4/1965	McCowan	D6/479 X
3,858,529	1/1975	Salladay	211/186 X
4,574,709	3/1986	Lacke et al.	211/186 X

Primary Examiner—Bruce W. Dunkins
Assistant Examiner—Jeffrey Asch
Attorney, Agent, or Firm—Dressler, Goldsmith, Shore,
Sutker & Milnamow, Ltd.

[57] CLAIM

The ornamental design for a modular display stand, as shown and described.

DESCRIPTION

FIG. 1 is a front and top perspective view of a modular display stand showing my new design; FIG. 2 is a side elevational view, the opposite side being identical in appearance; FIG. 3 is a top plan view; FIG. 4 is a rear elevational view; and FIG. 5 is a bottom plan view thereof. FIGS. 2-5 have been drawn to a reduced scale with respect to FIG. 1.

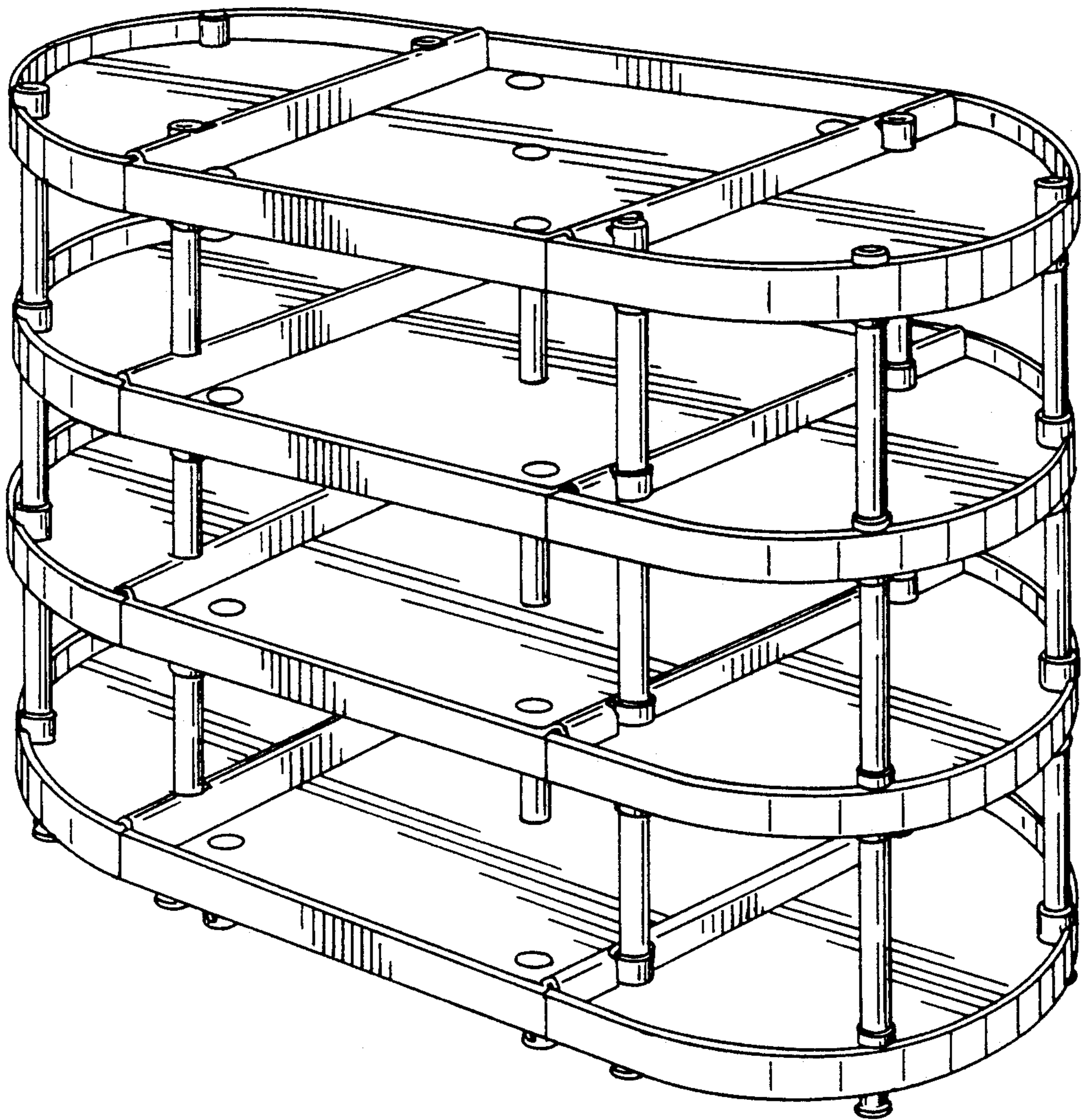


FIG-2-

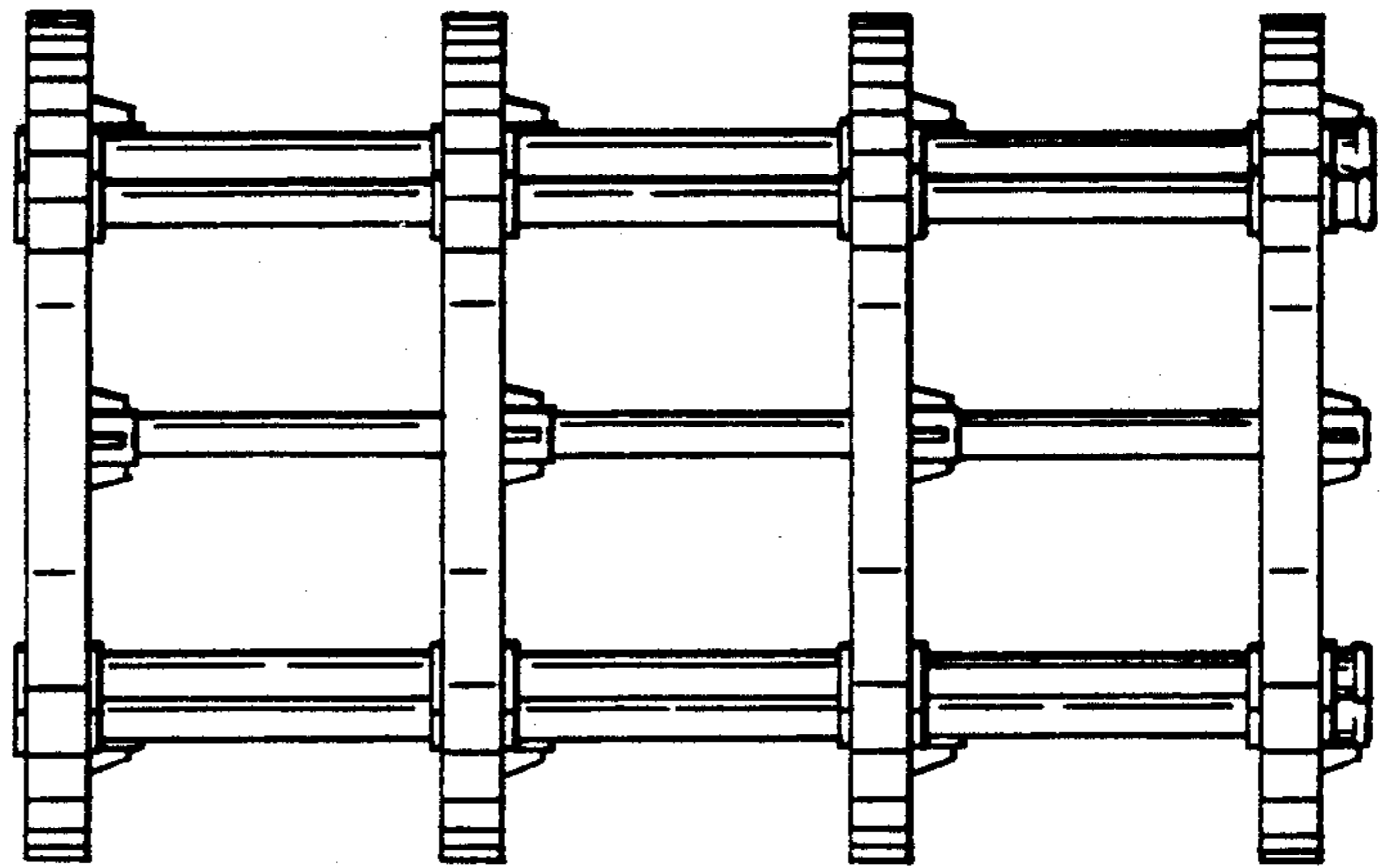


FIG-1-

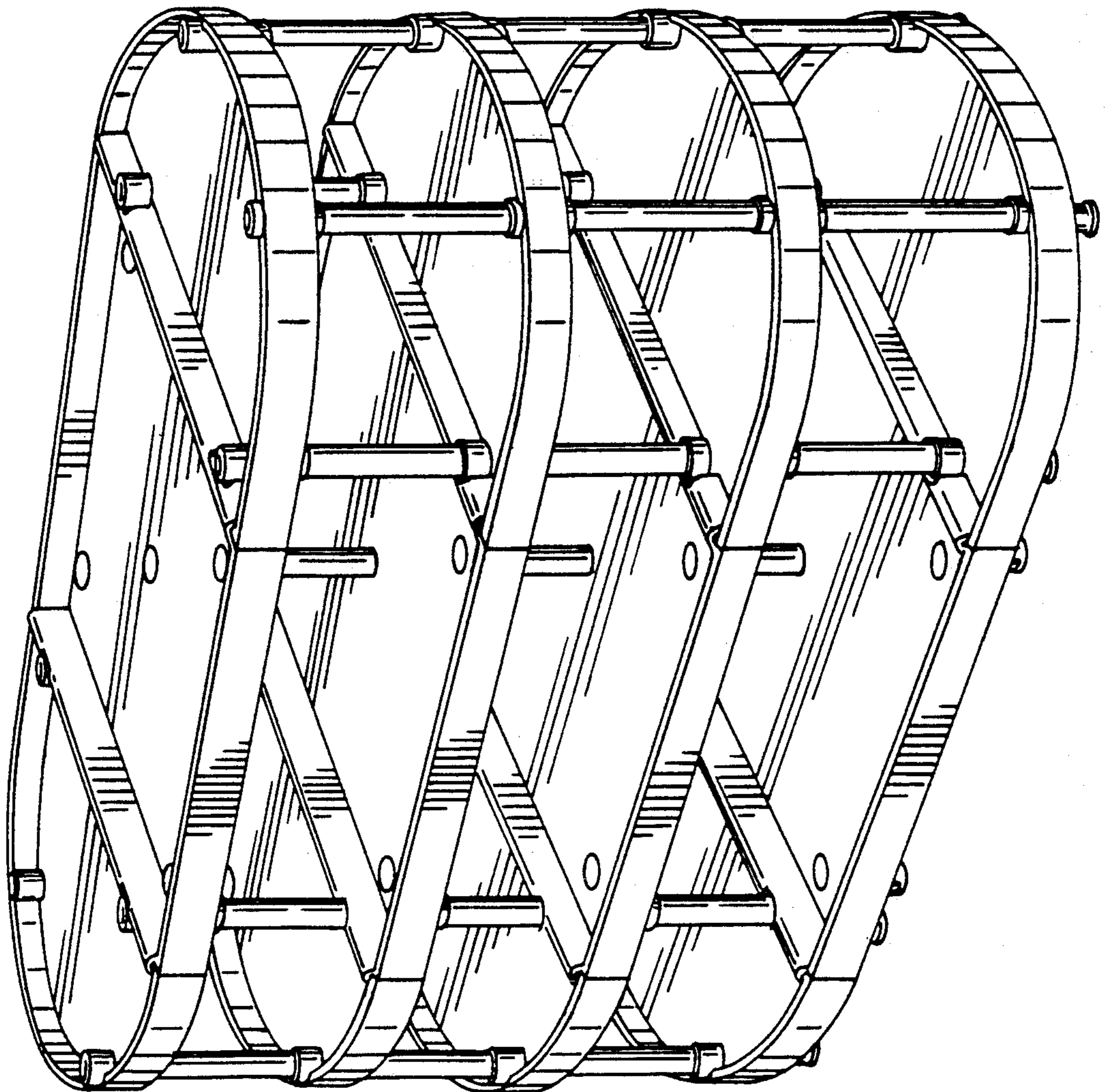


FIG. 3

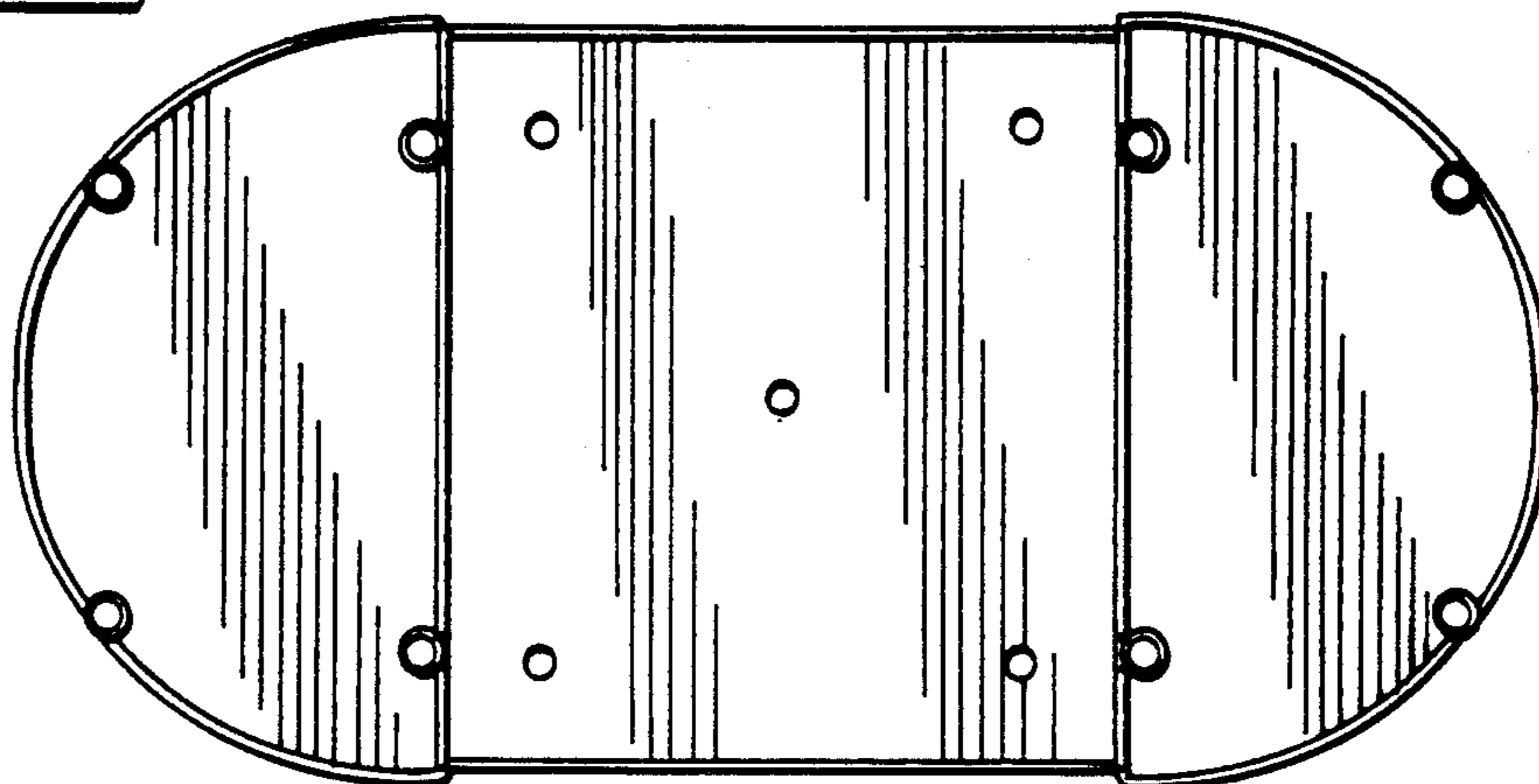


FIG. 4

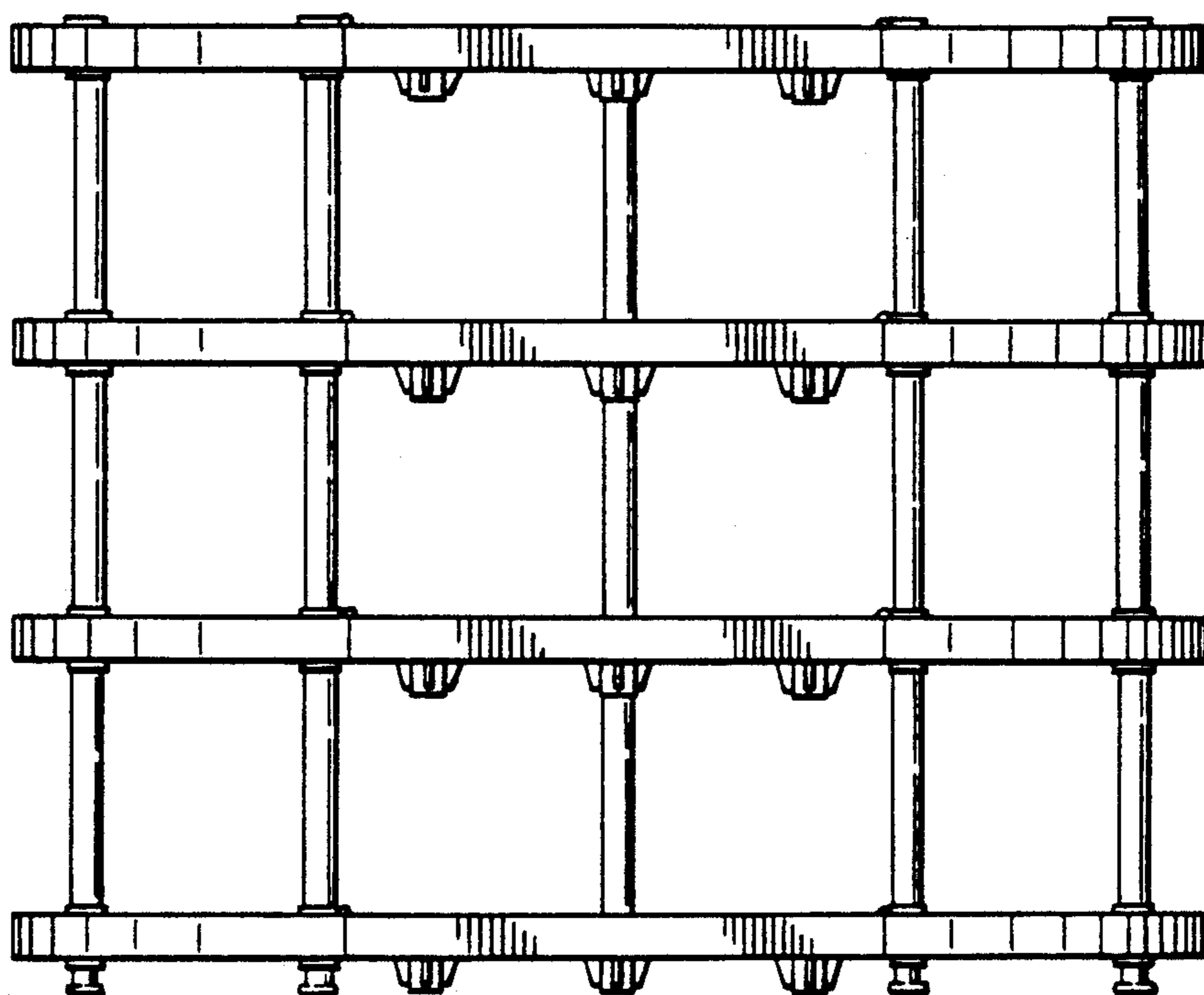


FIG. 5

