

[54] BED

[76] Inventor: Peggy E. Fullhart, 2841 E. Paul, Fresno, Calif. 93710

[\*\*] Term: 14 Years

[21] Appl. No.: 216,262

[22] Filed: Jul. 7, 1988

[52] U.S. Cl. .... D6/384

[58] Field of Search ..... D6/382-384, D6/388, 390-395, 503, 505-508

J. C. Penney, Spring & Summer 1981, p. 1063, top of page.  
Burlington Furn. "Innovation", Waterbed.  
Domus, Feb. 1986, p. 669, bottom left, Pillow Head Board.

Primary Examiner—Bruce W. Dunkins  
Assistant Examiner—Janice E. Seeger  
Attorney, Agent, or Firm—Leon Gilden

[57] CLAIM

The ornamental design for a bed, as shown and described.

DESCRIPTION

FIG. 1 is a front elevational view of a bed showing my new design;  
FIG. 2 is a rear elevational view thereof;  
FIG. 3 is a left side elevational view thereof;  
FIG. 4 is a right side elevational view thereof;  
FIG. 5 is a top plan view thereof;  
FIG. 6 is a bottom plan view thereof; and,  
FIG. 7 is a perspective view thereof.

[56]

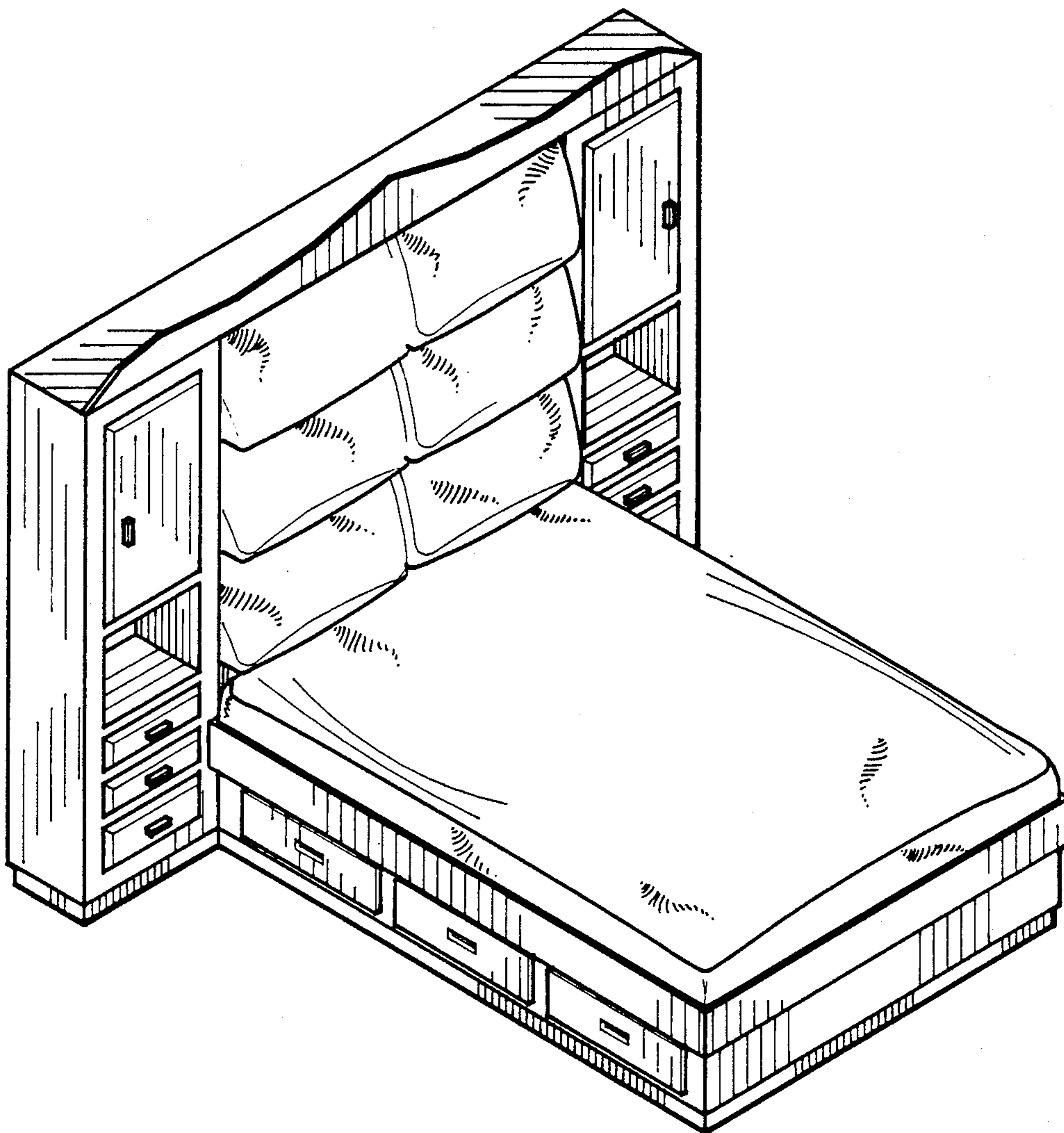
References Cited

U.S. PATENT DOCUMENTS

- D. 275,159 8/1984 Slaton et al. .... D6/384
- D. 282,228 1/1986 Scully et al. .... D6/384
- D. 296,502 7/1988 Keller ..... D6/384

OTHER PUBLICATIONS

©1979 "Event I" by Burlington Furn. Co.



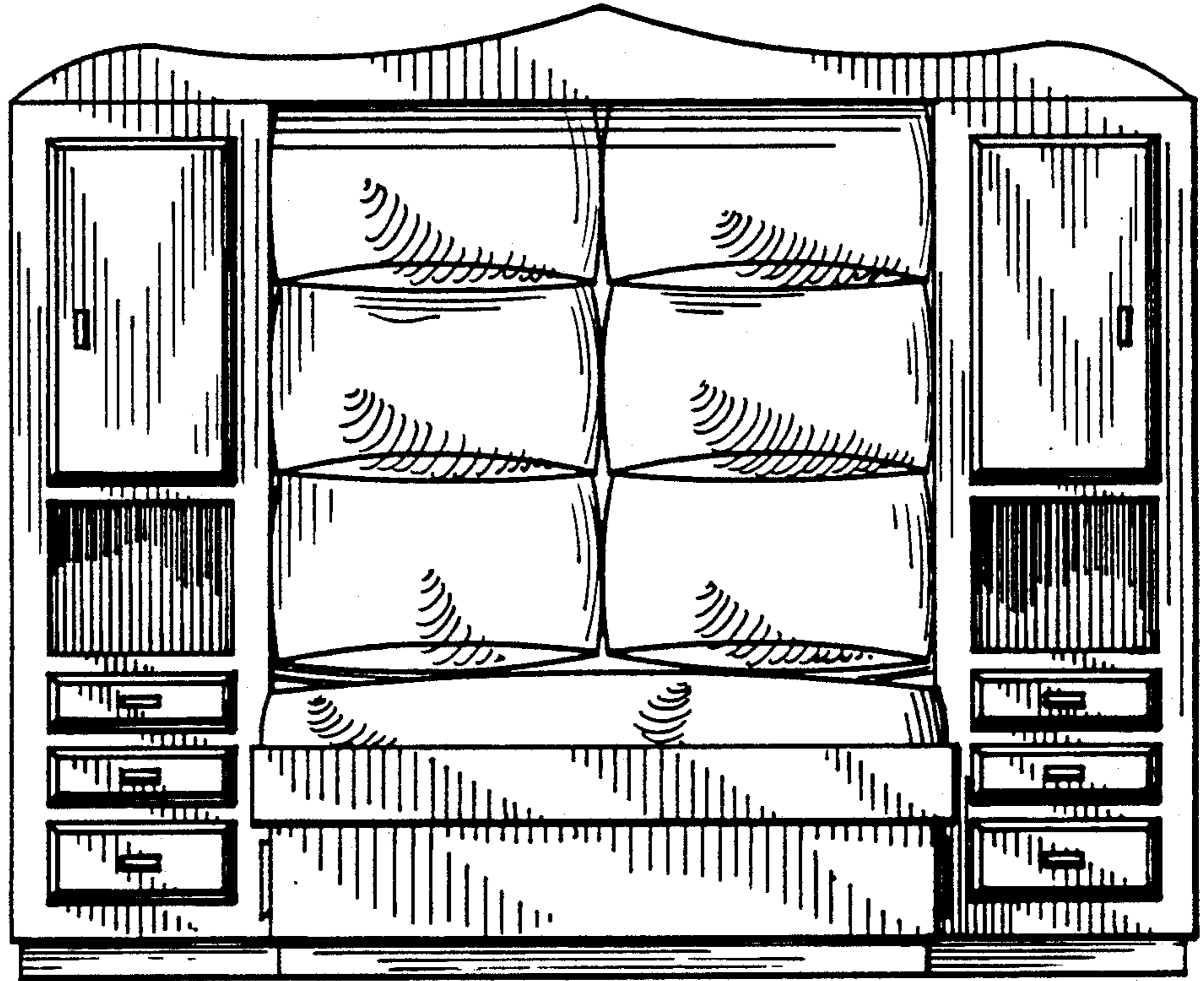


Fig. 1

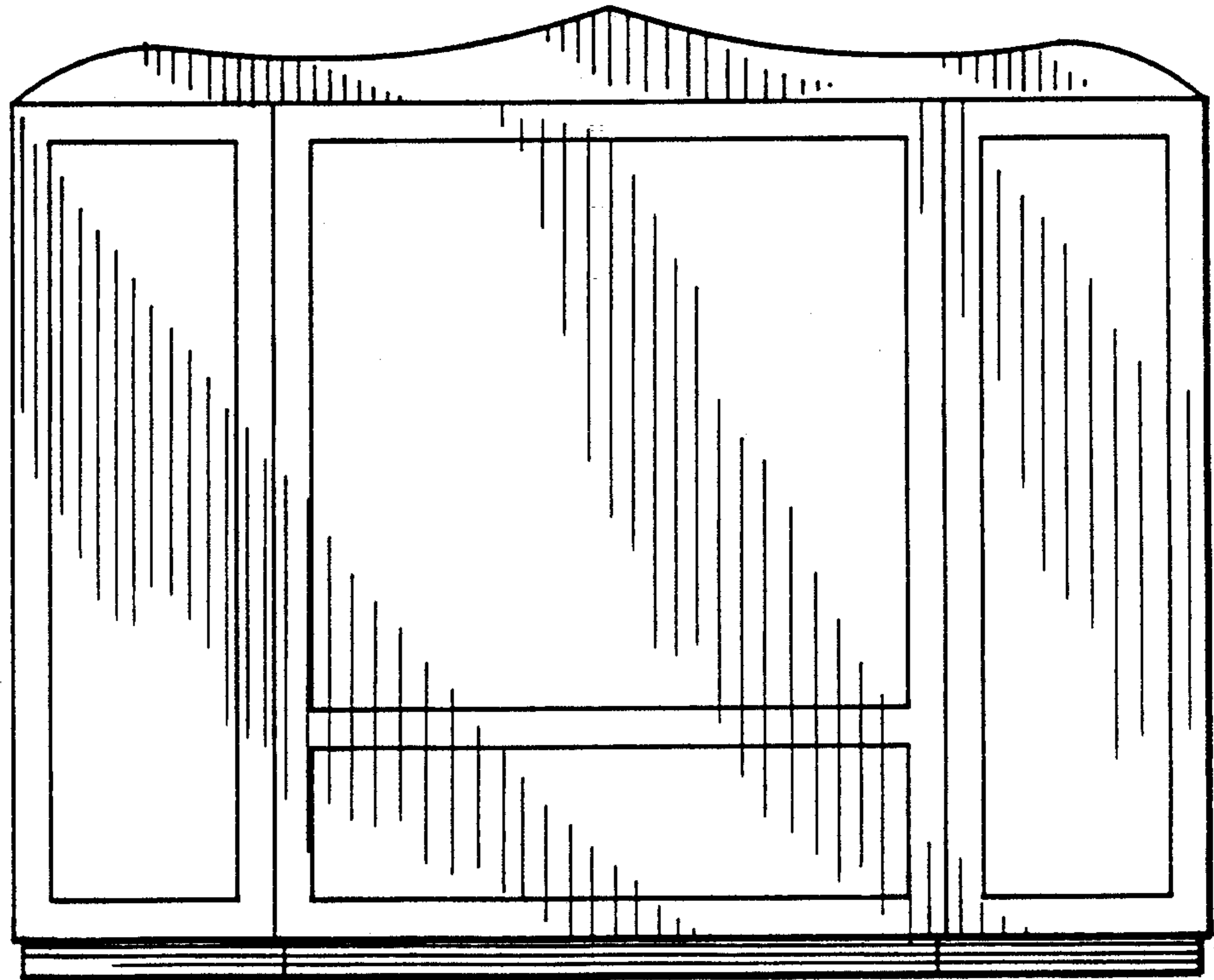
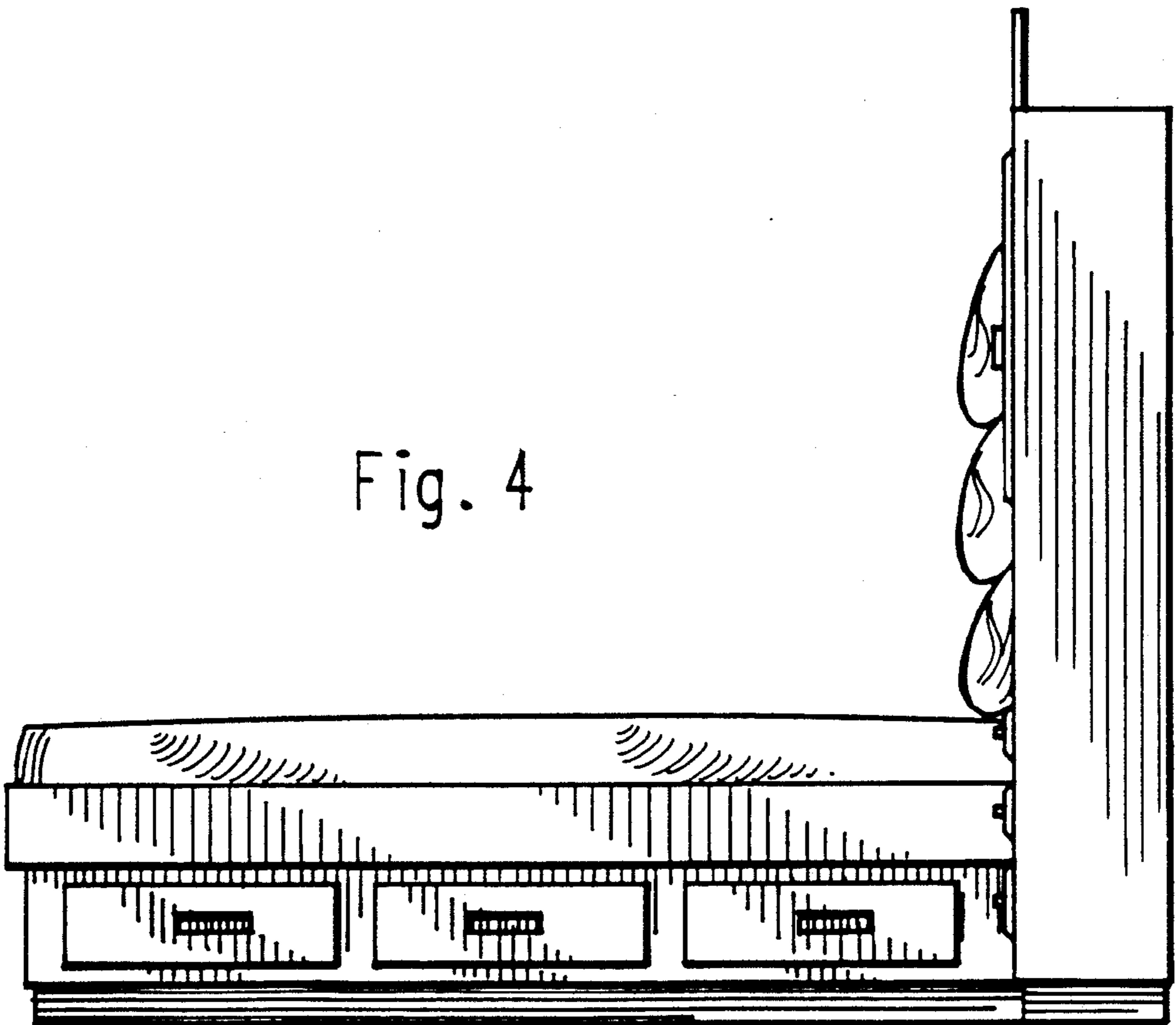
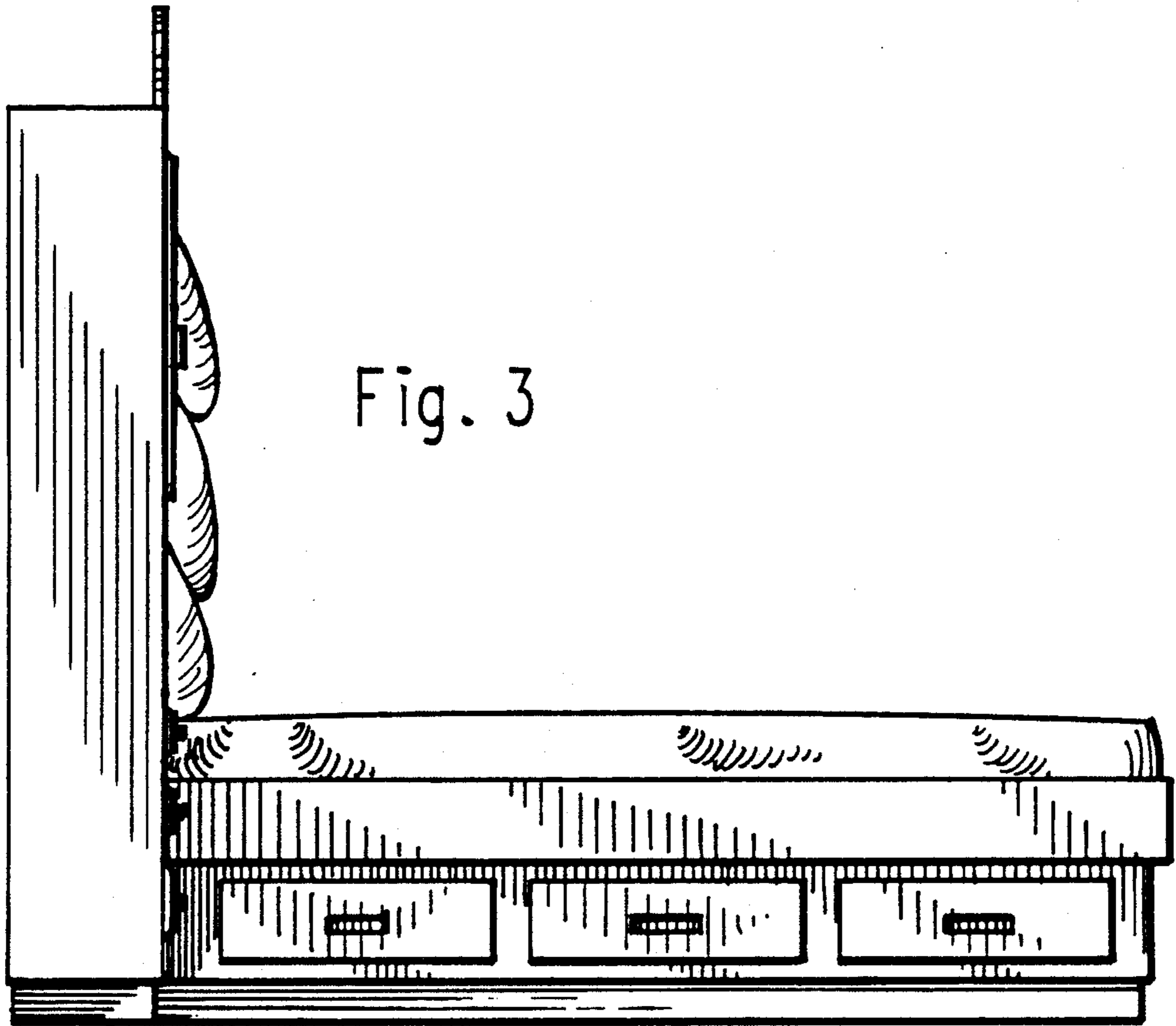


Fig. 2



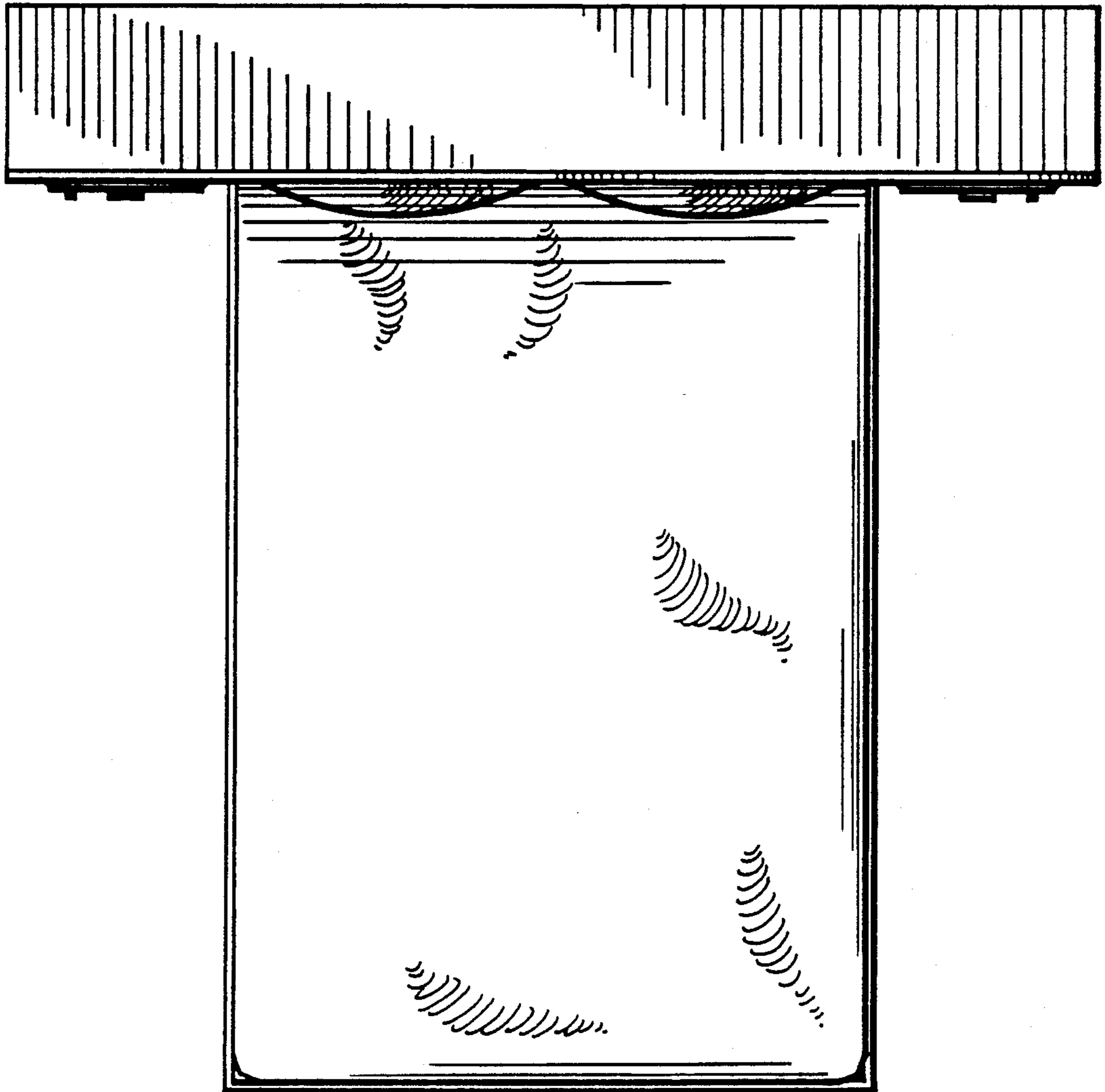


Fig. 5

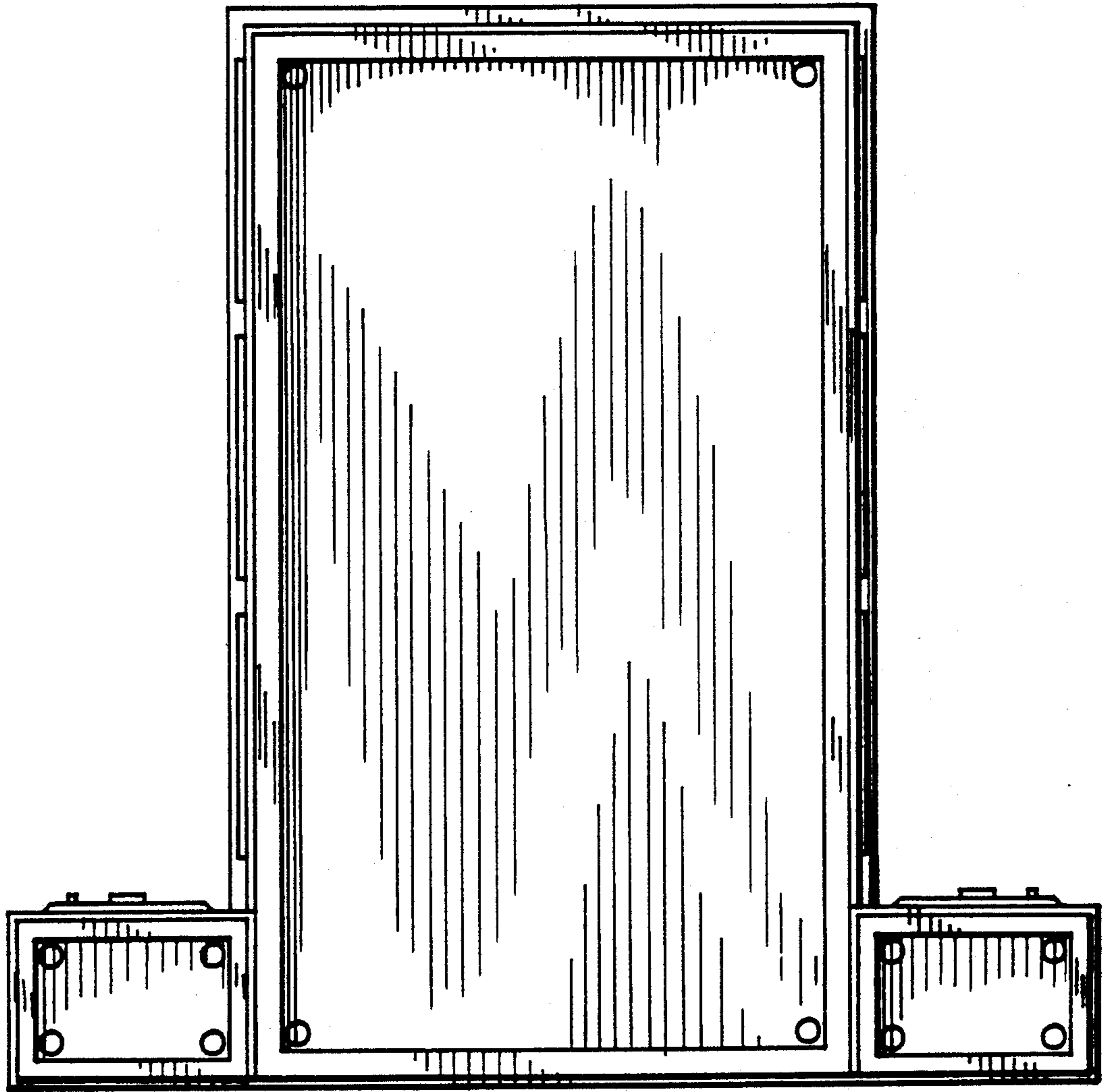


Fig. 6

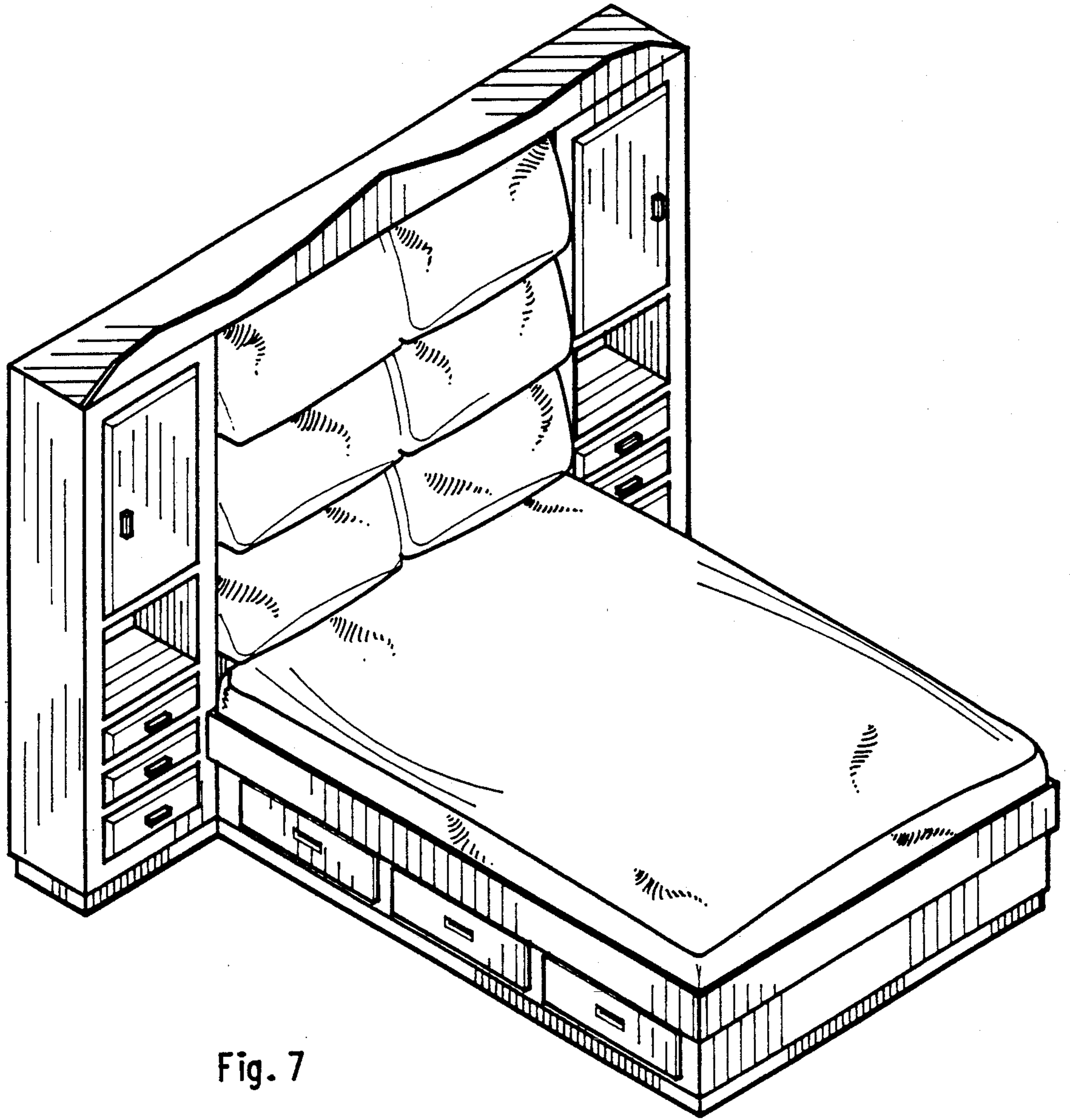


Fig. 7