

[54] HOLDER FOR NECK TIES OR SIMILAR ARTICLES

[76] Inventors: Steven E. Greenhut, 21646 Club Villa Ter., Boca Raton, Fla. 33433; Sheldon H. Goodman, 4079 Princeton Blvd., South Euclid, Ohio 44121

[\*\*] Term: 14 Years

[21] Appl. No.: 398,376

[22] Filed: Aug. 24, 1989

[52] U.S. Cl. .... D6/324

[58] Field of Search ..... D6/315, 324; 211/13, 211/96, 60.1, 99, 100

[56] References Cited

U.S. PATENT DOCUMENTS

|            |        |          |       |         |
|------------|--------|----------|-------|---------|
| D. 135,656 | 5/1943 | Williams | ..... | D6/324  |
| D. 149,103 | 3/1948 | Atkins   | ..... | D6/324  |
| D. 240,877 | 8/1976 | Lefkof   | ..... | D6/324  |
| D. 301,524 | 6/1989 | Trafford | ..... | D6/324  |
| 2,562,622  | 7/1951 | Laughlin | ..... | 211/100 |

4,611,721 9/1986 Heckaman ..... 211/100

Primary Examiner—B. J. Bullock

Attorney, Agent, or Firm—Pearne, Gordon, McCoy & Granger

[57] CLAIM

The ornamental design for a holder for neck ties or similar articles, as shown.

DESCRIPTION

FIG. 1 is a left side top and front isometric view of a holder for neck ties or similar articles showing our new design in neck tie insertion position;

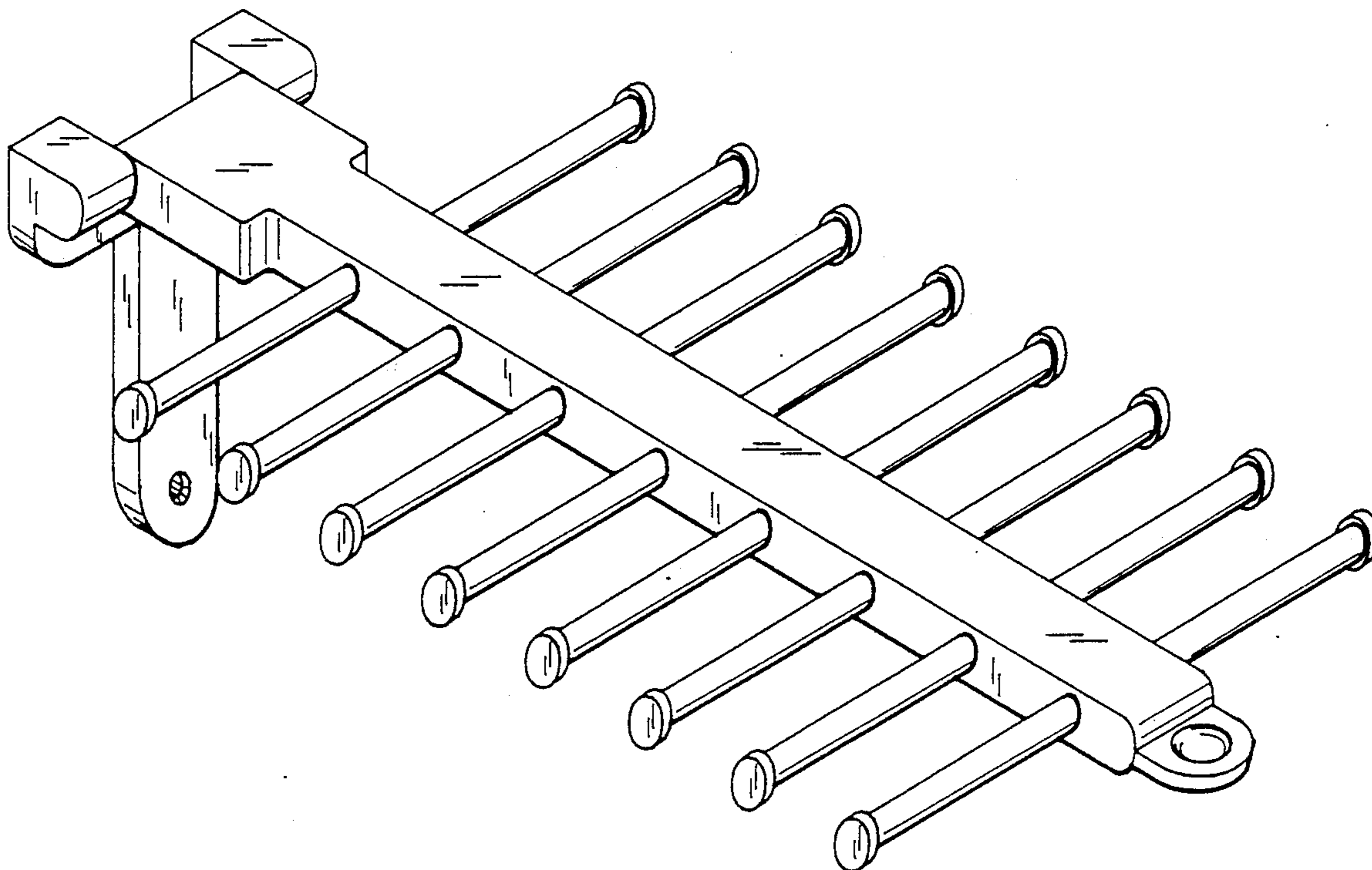
FIG. 2 is a front elevational view thereof in gravity oriented position;

FIG. 3 is a left side elevational view thereof, the right side being a mirror image;

FIG. 4 is a sectional view taken in the direction of the arrows on line 4—4 of FIG. 2;

FIG. 5 is a sectional view taken in the direction of the arrows on line 5—5 of FIG. 2;

FIG. 6 is a sectional view taken in the direction of the arrows on line 6—6 of FIG. 2.



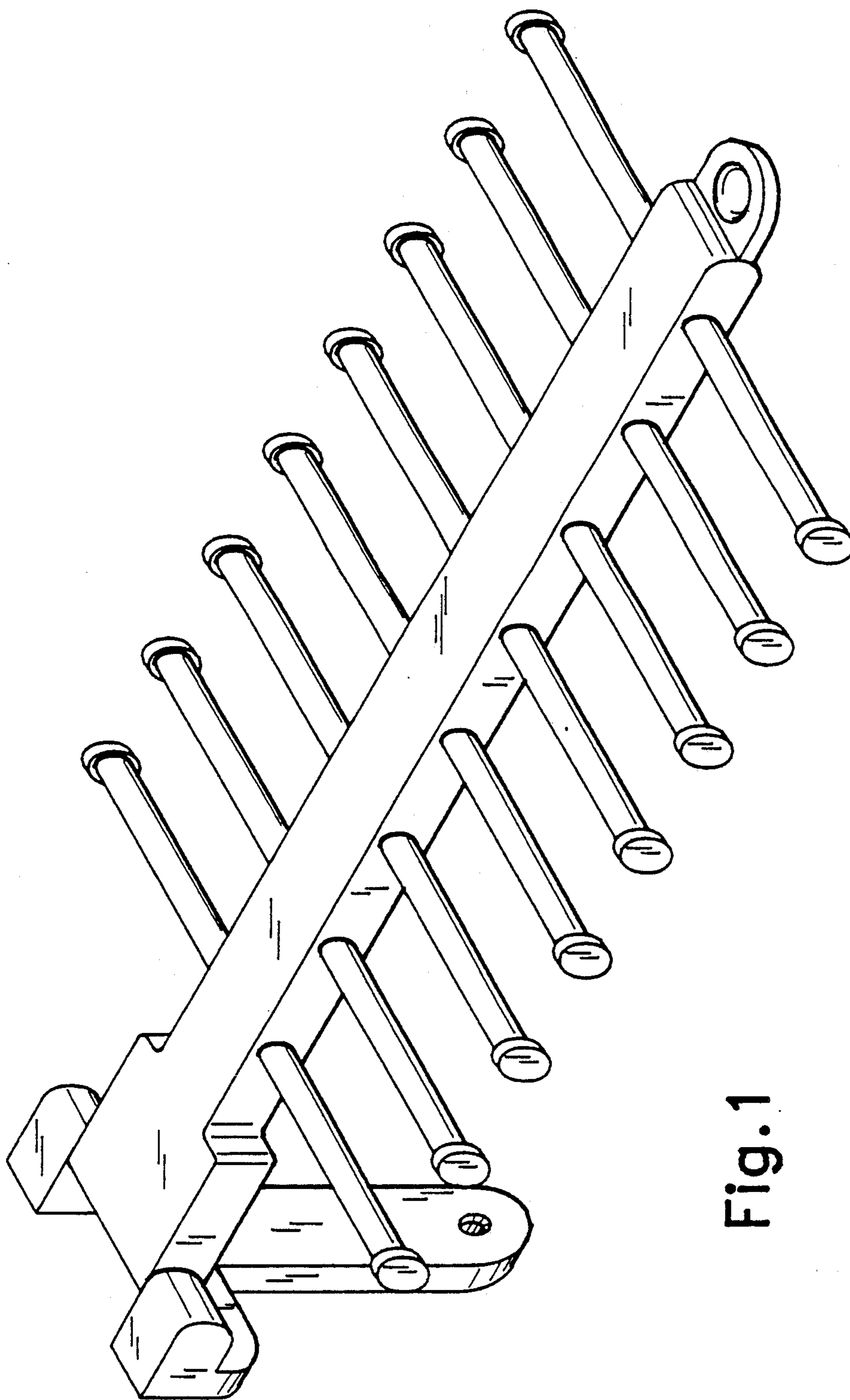


Fig. 1

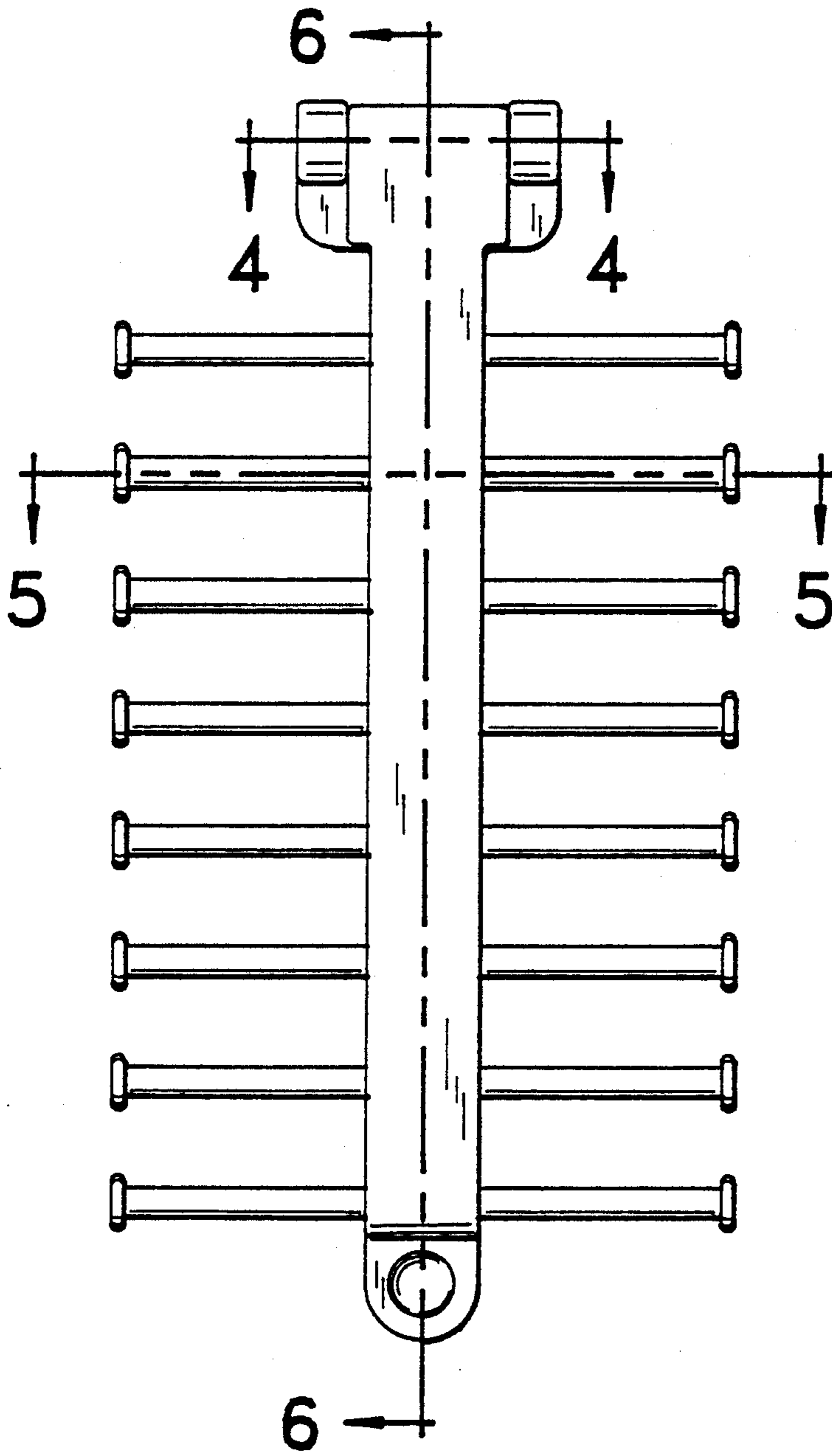


Fig. 2

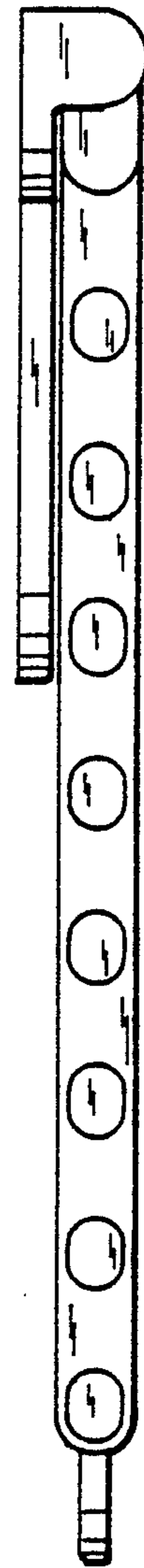


Fig. 3



Fig. 6

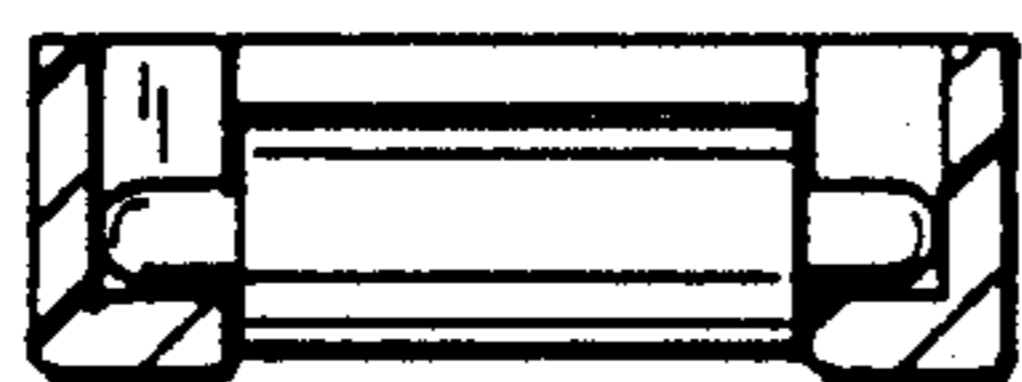


Fig. 4



Fig. 5