

[54] **UMBRELLA HOLDER**

[76] **Inventor: Ronald J. Fadell, 2573 Rosewae,
Youngstown, Ohio 44511**

[**] **Term: 14 Years**

[21] **Appl. No.: 331,897**

[22] **Filed: Apr. 3, 1989**

[52] **U.S. Cl. D3/10**

[58] **Field of Search D3/3-17,
D3/100; 135/15.1, 16, 17, 19.5, 20.3, 22-24**

[56] **References Cited**

U.S. PATENT DOCUMENTS

D. 268,300 3/1983 Richards D3/100
2,559,421 7/1951 Garrett D3/5 X
2,860,566 11/1958 Allsup et al. 135/16

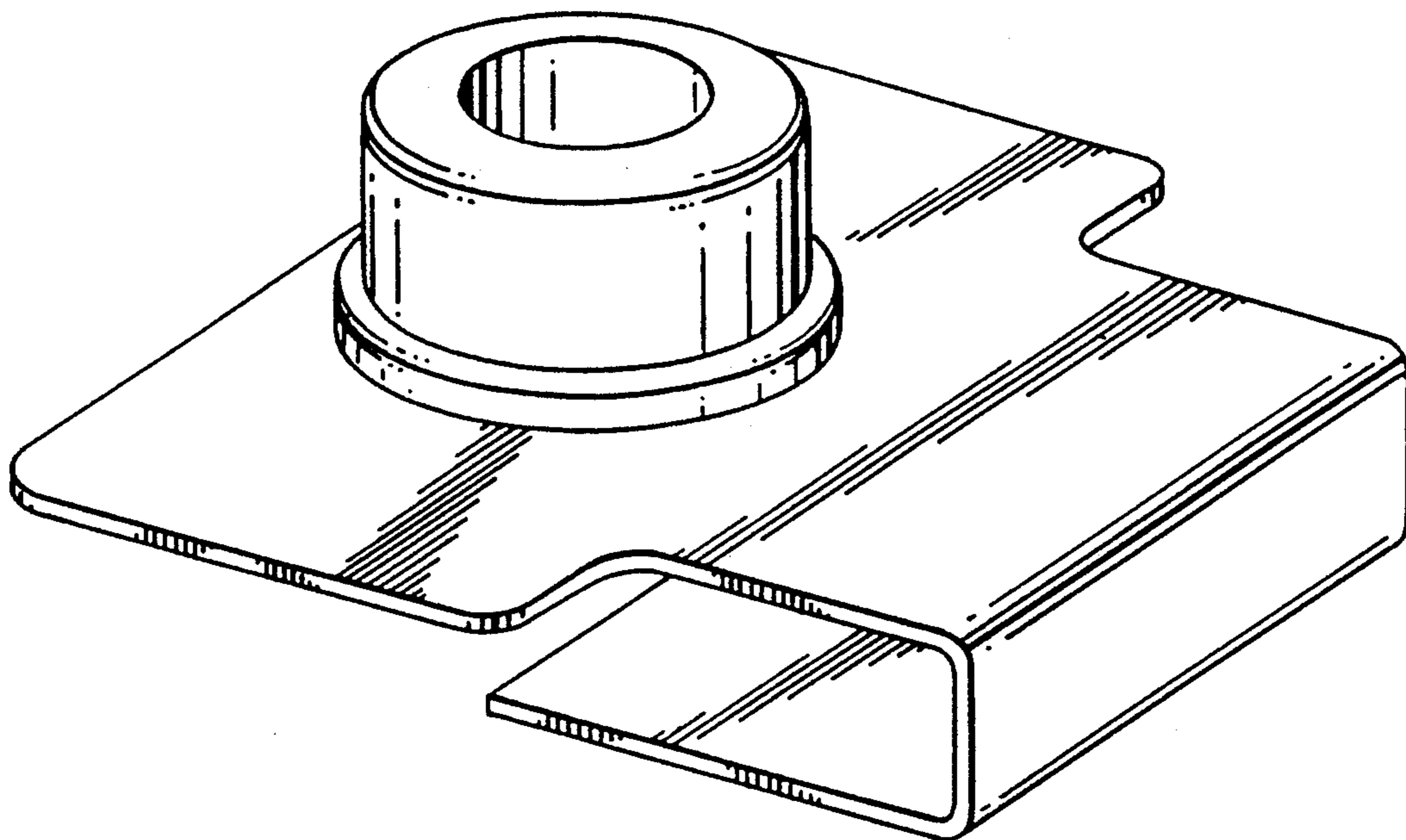
Primary Examiner—Louis S. Zarfaz
Attorney, Agent, or Firm—Harpman & Harpman

[57] **CLAIM**

The ornamental design for an umbrella holder, as shown and described.

DESCRIPTION

FIG. 1 is a top rear right perspective view of an umbrella holder showing my new design; FIG. 2 is a front elevational view thereof; FIG. 3 is a left side elevation thereof; and FIG. 4 is a bottom plan view thereof.



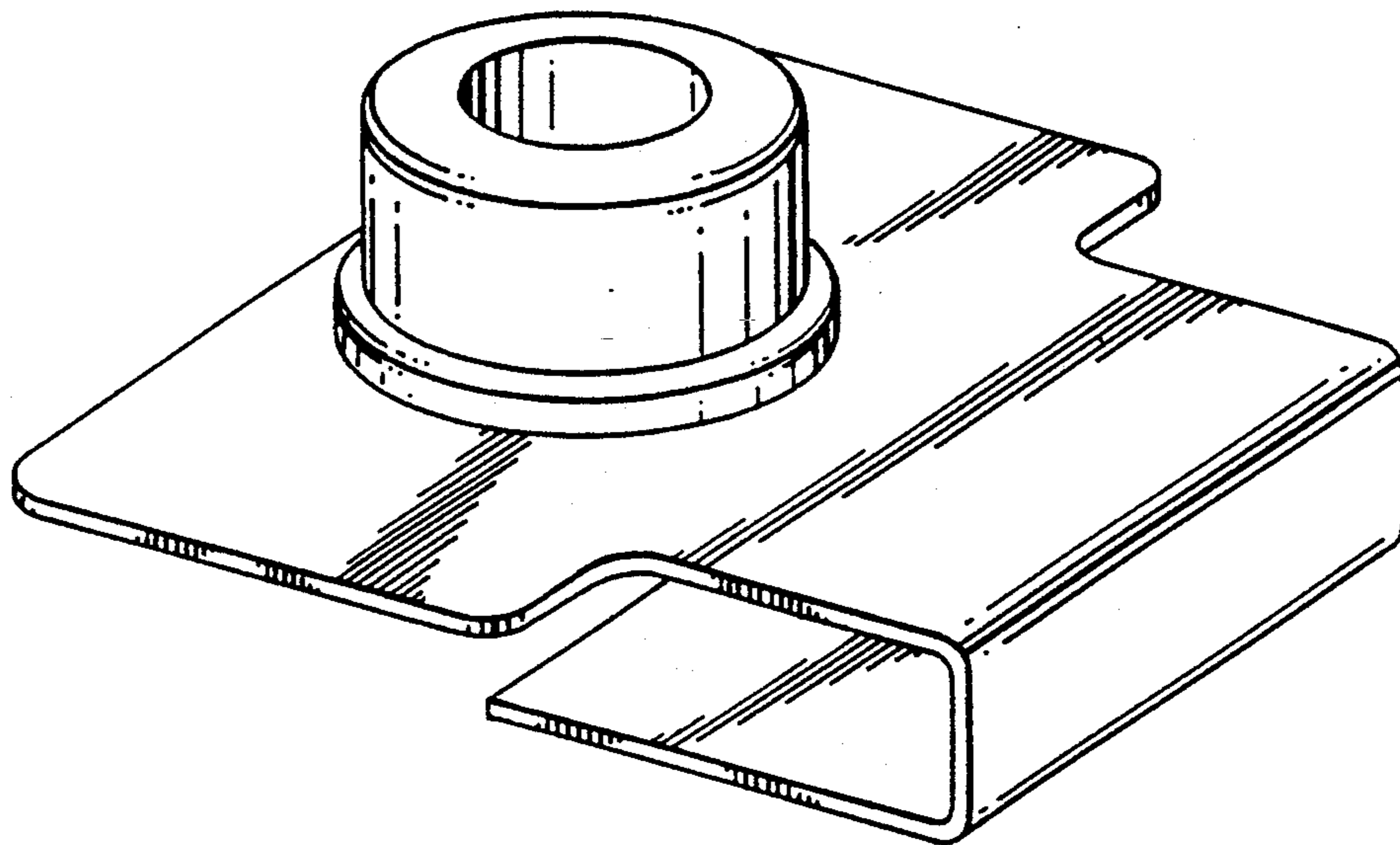


FIG. 1

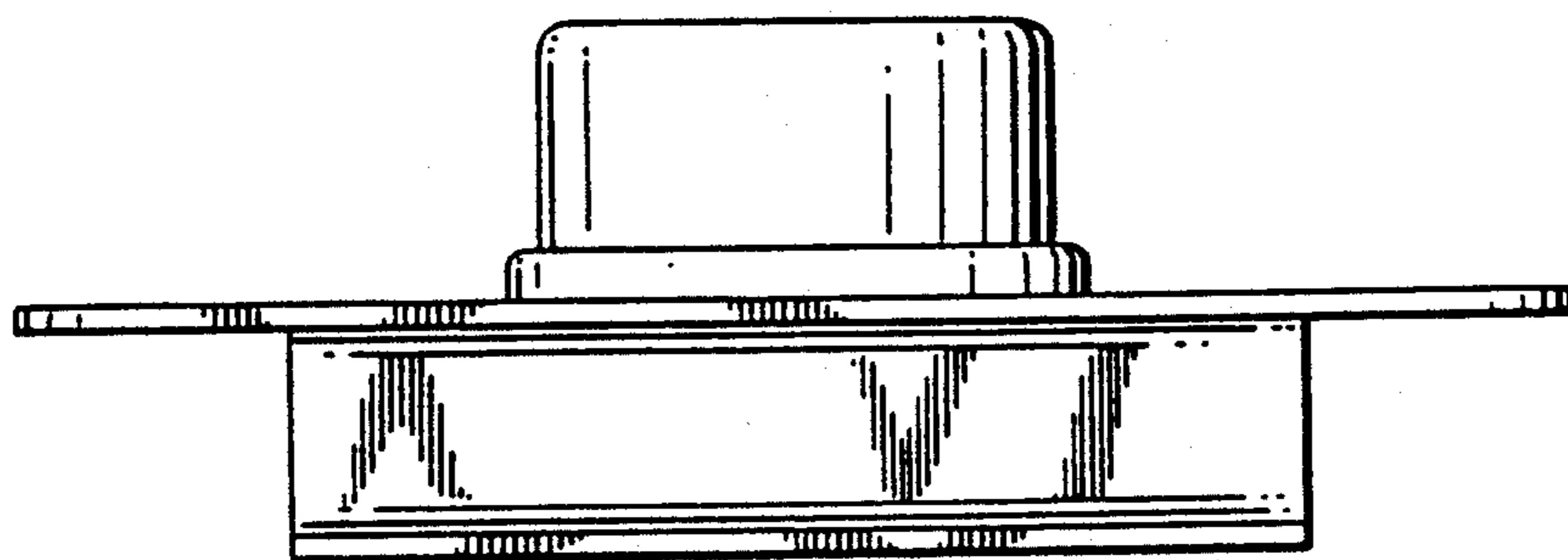


FIG. 2

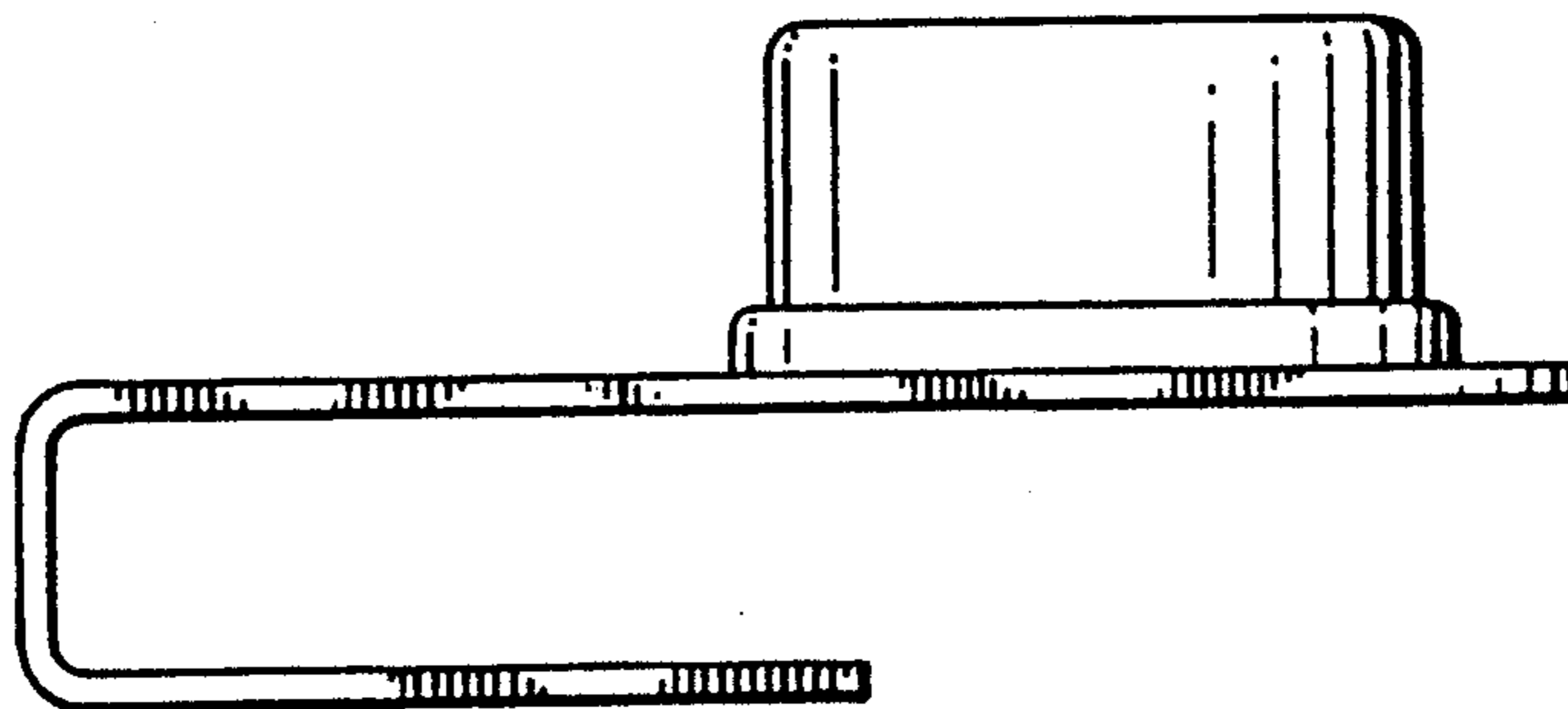


FIG. 3

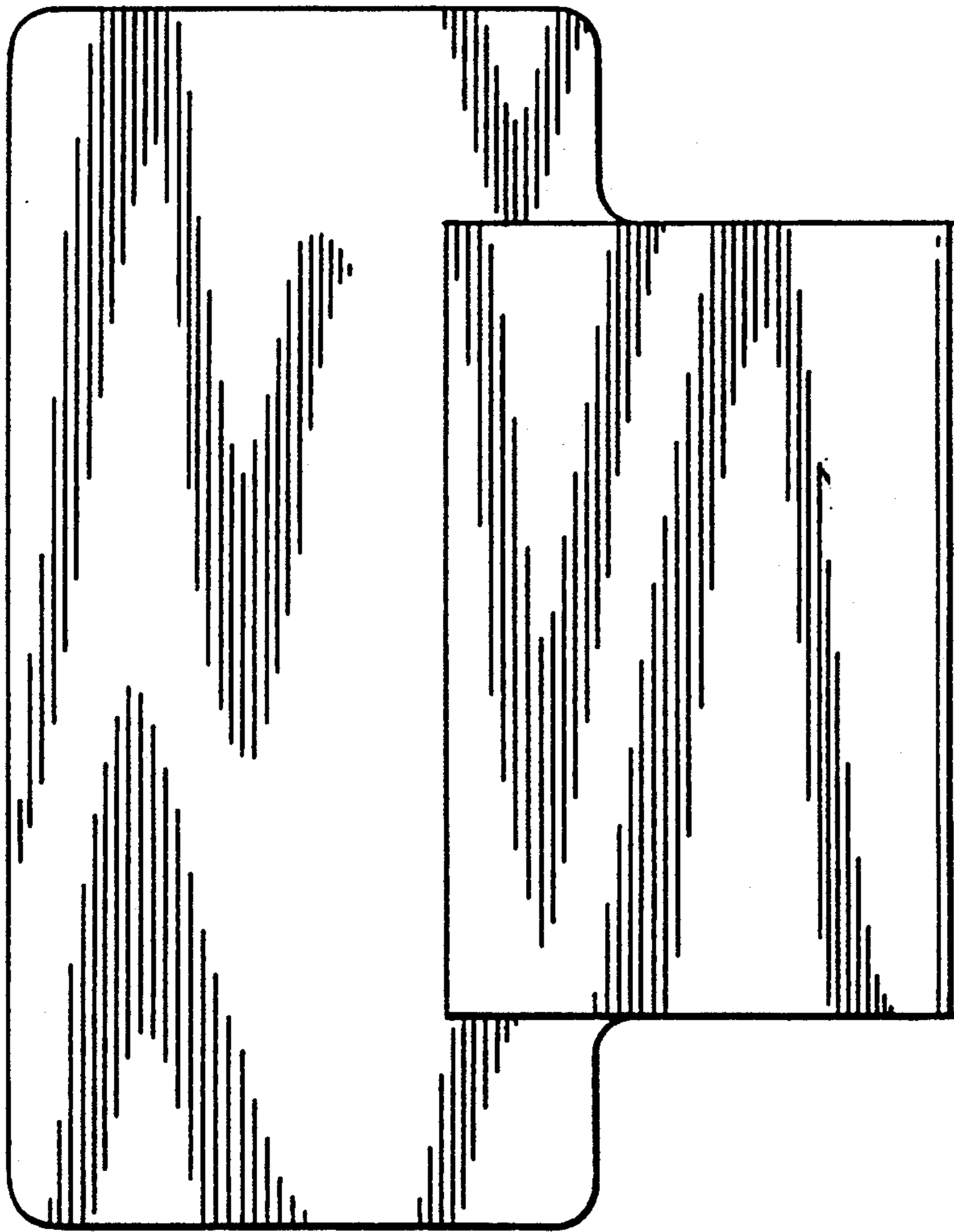


FIG. 4.