

United States Patent [19]

Bennett et al.

[11] Patent Number: **Des. 321,072**

[45] Date of Patent: **** Oct. 22, 1991**

[54] **MECHANIC'S CREEPER**

[75] Inventors: **Jeffrey Bennett; Richard Landy**, both of Sylmar, Calif.

[73] Assignee: **Allied International**, Sylmar, Calif.

[**] Term: **14 Years**

[21] Appl. No.: **421,200**

[22] Filed: **Oct. 13, 1989**

[52] U.S. Cl. **D34/23**

[58] Field of Search **D34/23, 12, 17; 280/32.6, 32.5**

[56] **References Cited**

U.S. PATENT DOCUMENTS

- D. 230,971 3/1974 Shanklin D34/23
D. 242,909 1/1977 Miller D34/23

D. 301,791 6/1989 Osborne D34/23

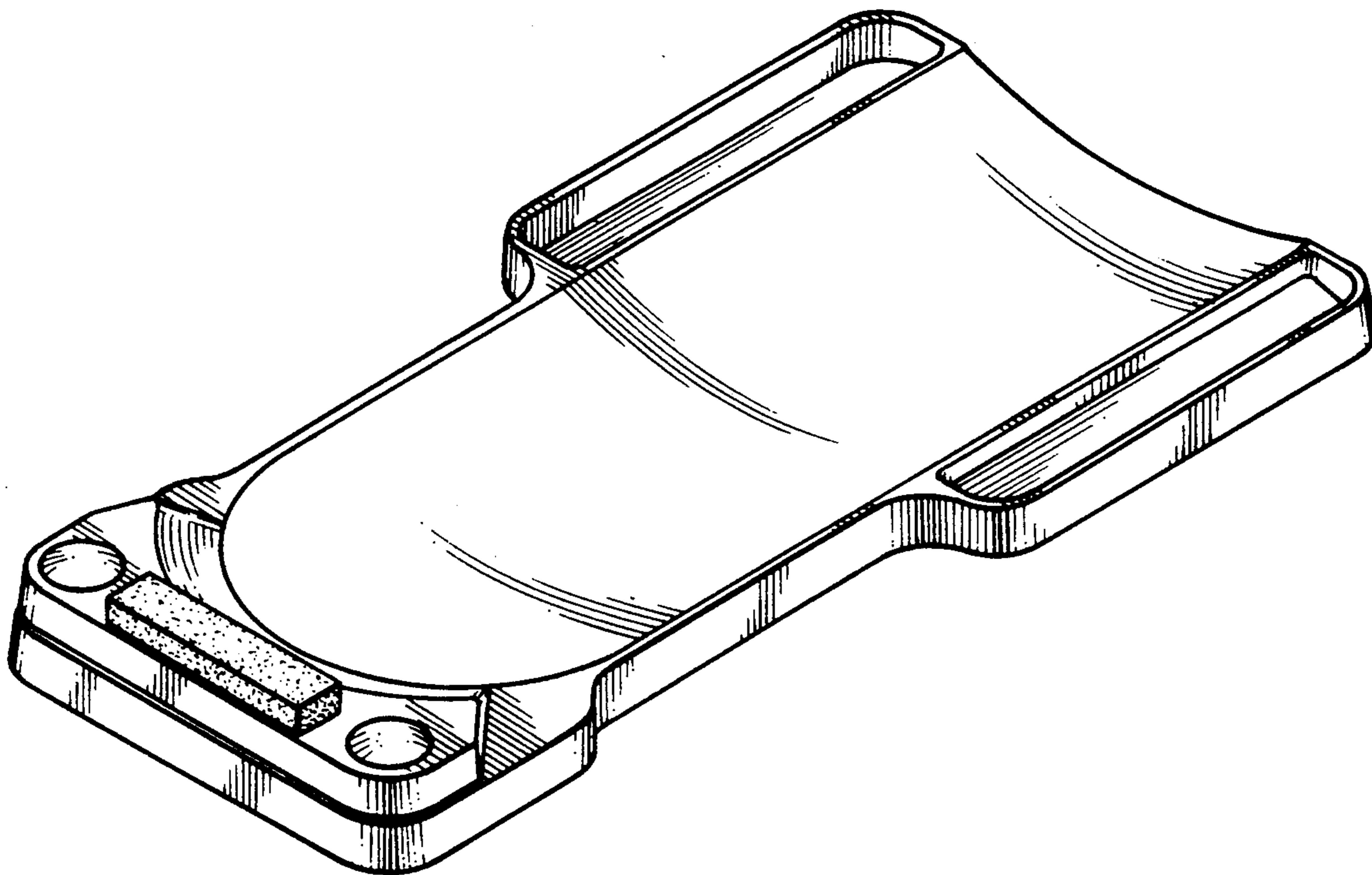
Primary Examiner—Kay H. Chin
Attorney, Agent, or Firm—Lyon & Lyon

[57] **CLAIM**

The ornamental design for a mechanic's creeper, as shown and described.

DESCRIPTION

FIG. 1 is a front and top perspective view of a mechanic's creeper showing our new design;
FIG. 2 is a top plan view thereof;
FIG. 3 is a left side elevational view thereof, the right side elevational view being a mirror image of that shown;
FIG. 4 is a bottom plan view thereof;
FIG. 5 is a front elevational view thereof; and
FIG. 6 is a rear elevational view thereof.



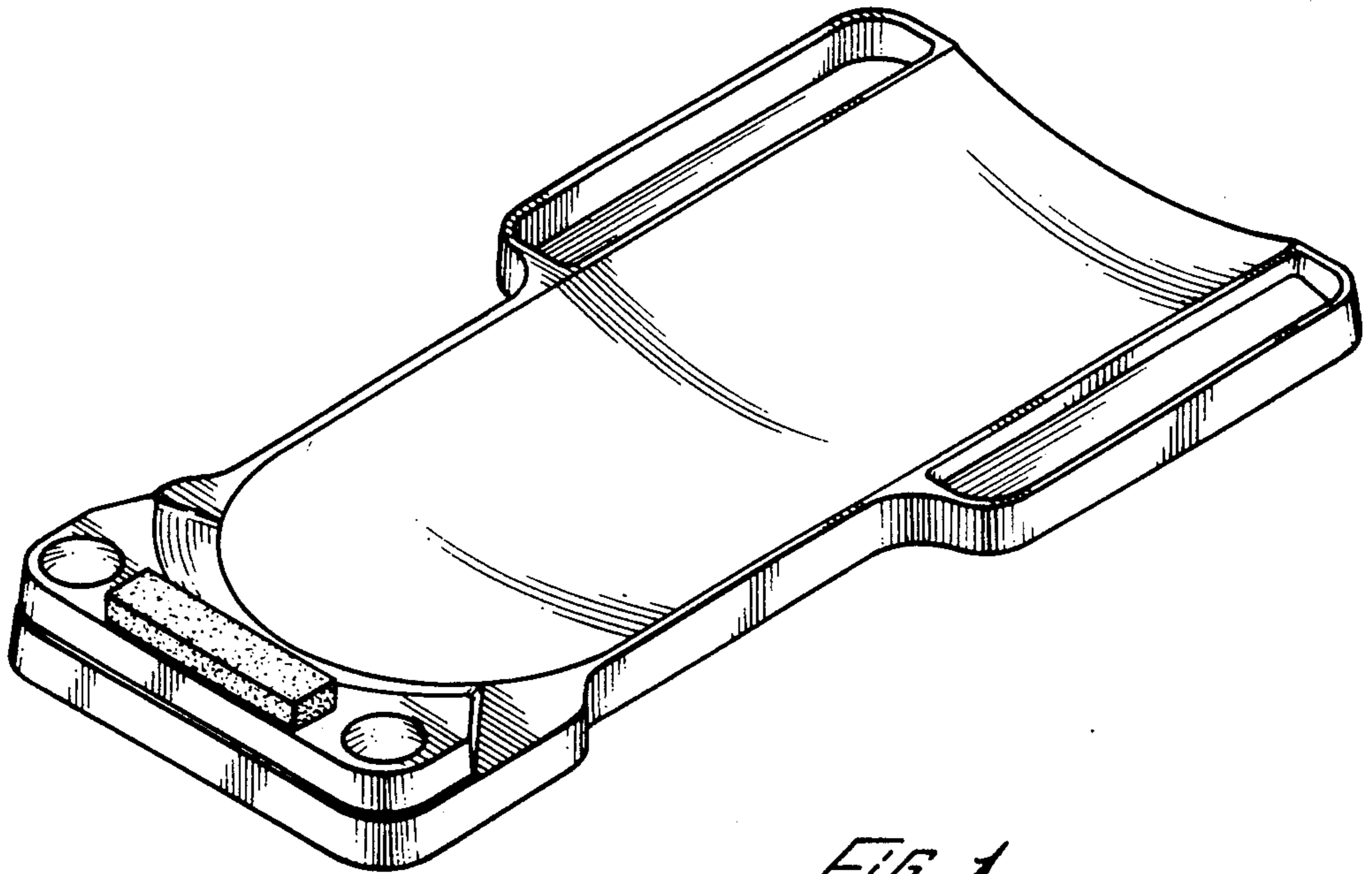


FIG. 1.

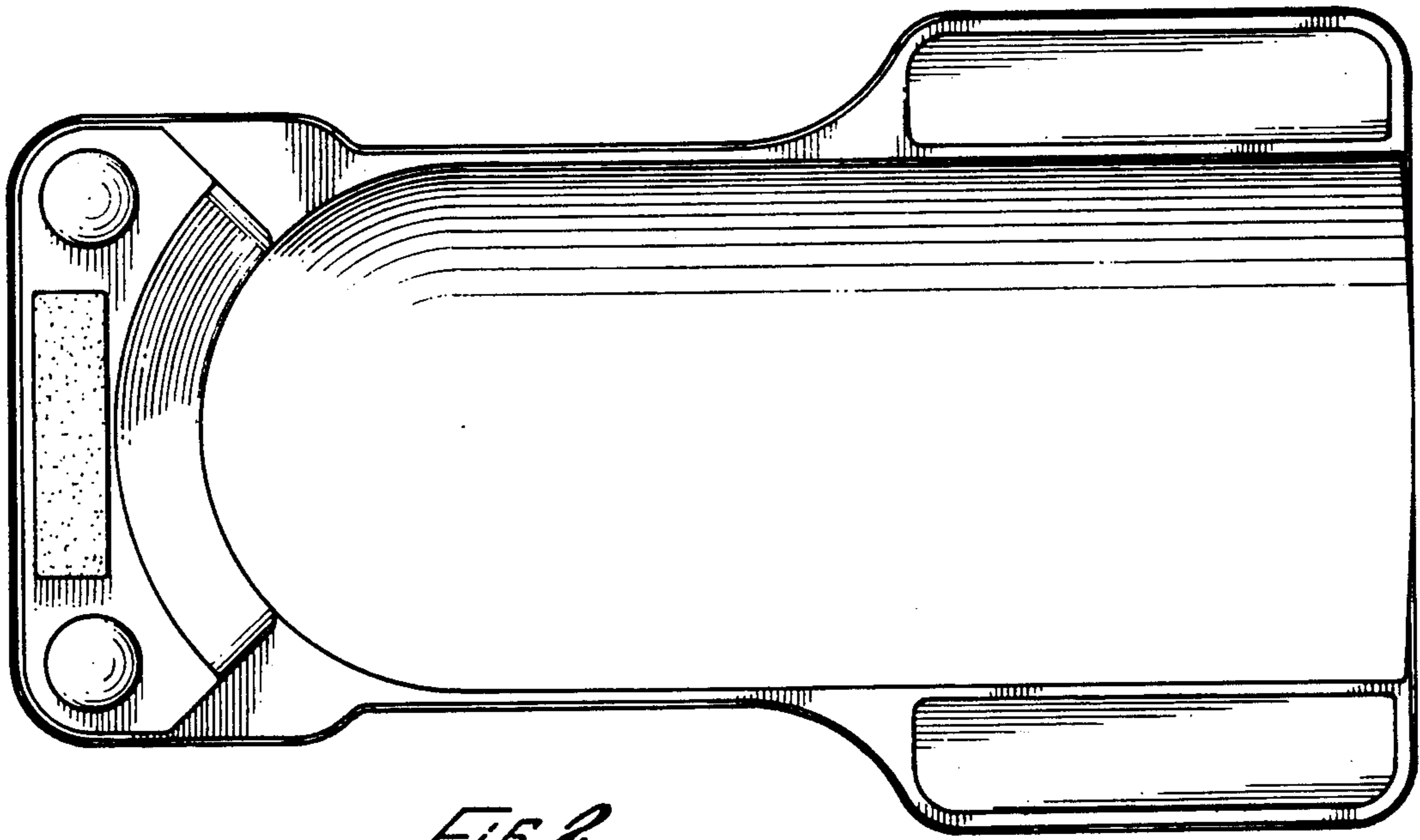
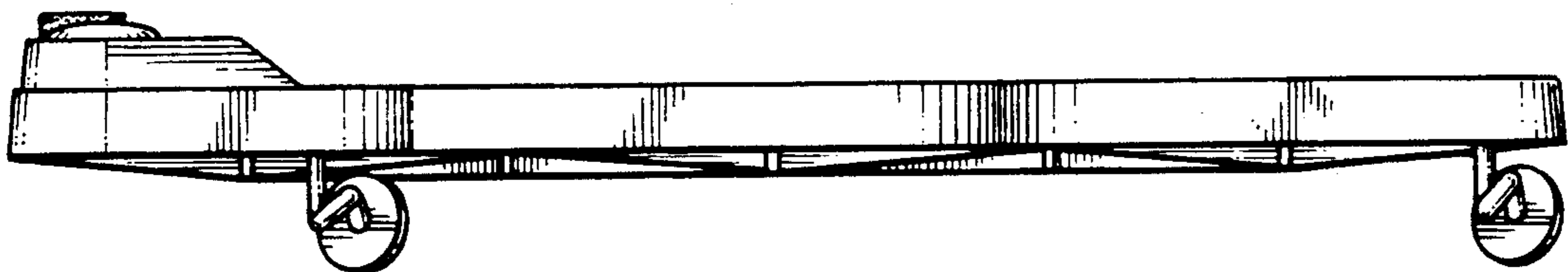


FIG. 2.

FIG. 3.



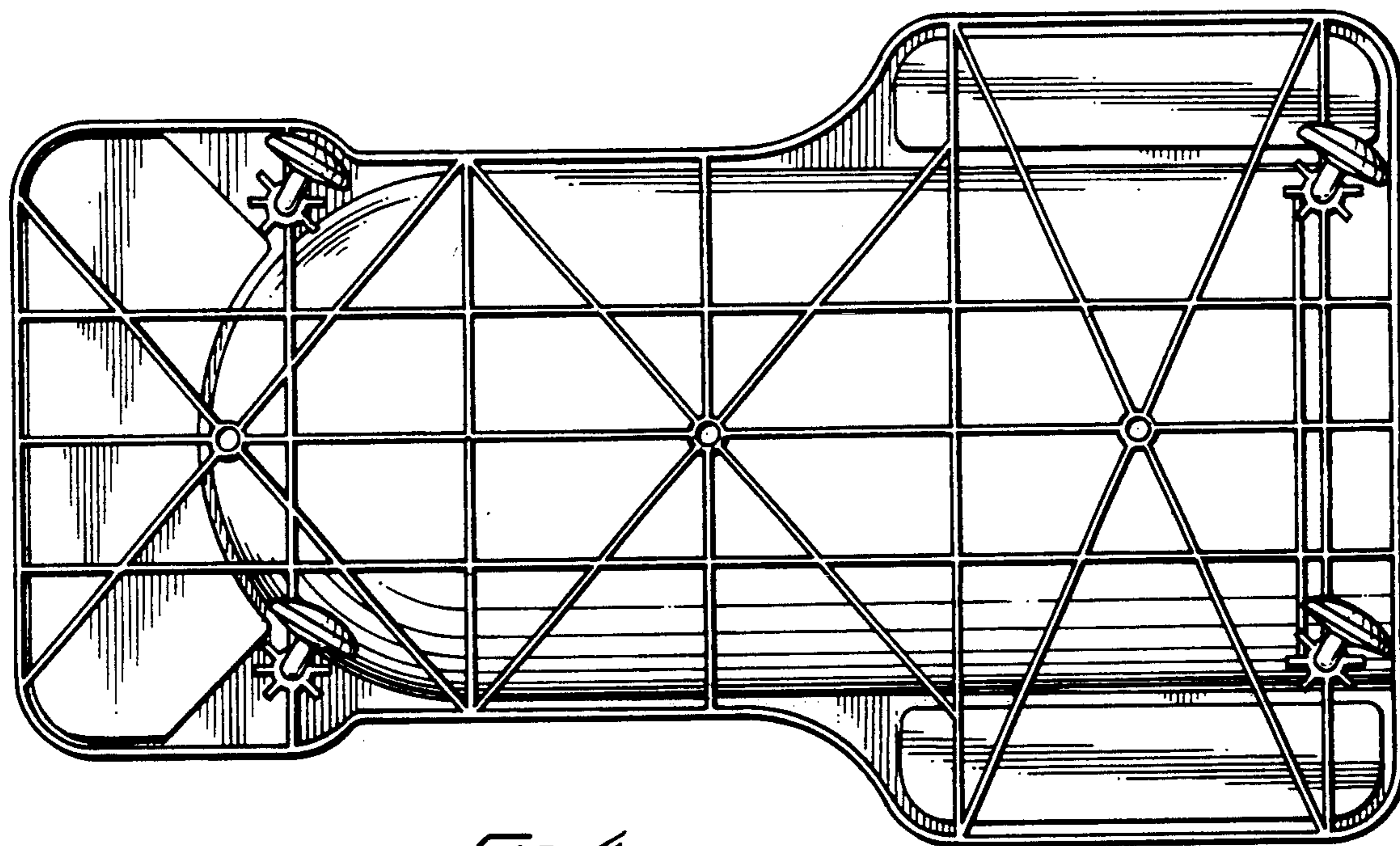


FIG. 4.

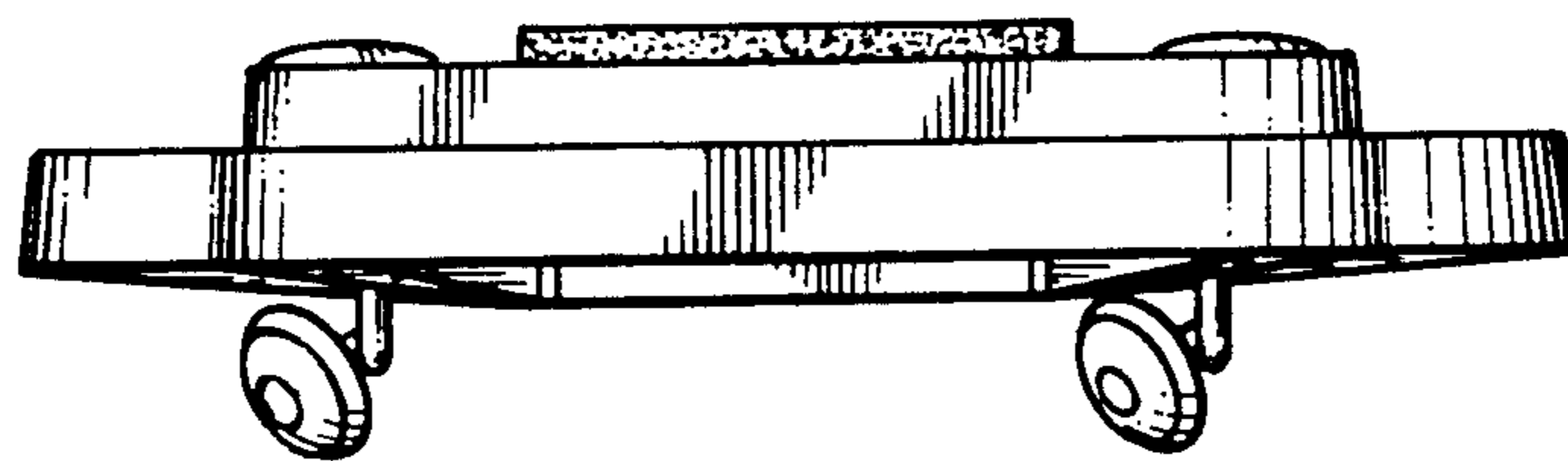


FIG. 5.

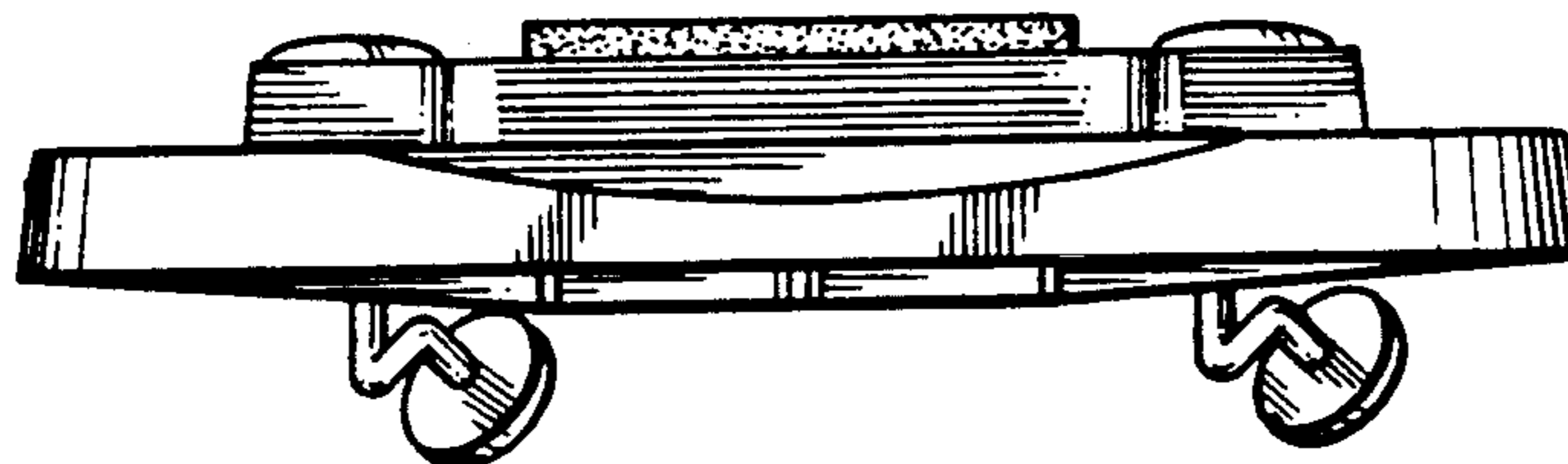


FIG. 6.