

[54] COMBINED COLLAPSIBLE UTILITY CART AND BAG THEREFOR

[75] Inventor: Thomas Dickinson, St. Louis, Mo.

[73] Assignee: Contico International, Inc., St. Louis, Mo.

[**] Term: 14 Years

[21] Appl. No.: 240,566

[22] Filed: Sep. 6, 1988

[52] U.S. Cl. D34/17; D34/23

[58] Field of Search D34/12, 17, 21, 23;
D6/449, 429; 211/200; 280/35, 641, 642, 651;
248/98, 97, 150

[56] References Cited

U.S. PATENT DOCUMENTS

D. 295,098 4/1988 Delmerico D34/17
4,705,247 11/1987 Delmerico 248/129

OTHER PUBLICATIONS

Continental Plastics Brochure, p. 18, Structural Plastic Carts, Maid & Janitorial Cart, No. 55 & 59.

Continental Manufacturing Catalogue sheet p. 18, pre 1988 catalogue.

1985 Rubbermaid X Frame catalogue sheet.

Cleaning Management, pp. 28-34 article on Rubbermaid X-Frame.

Primary Examiner—Kay H. Chin
Attorney, Agent, or Firm—Sandler, Greenblum & Bernstein

[57] CLAIM

The ornamental design for a combined collapsible utility cart and bag therefor, as shown and described.

DESCRIPTION

FIG. 1 is a top and front perspective view of a combined collapsible utility cart and bag therefor showing my new design;

FIG. 2 is a top and front perspective view of collapsible utility cart;

FIG. 3 is a front elevational view of FIG. 2 in collapsed condition;

FIG. 4 is a top and front perspective view of the bag for the utility cart, the rear perspective view being a mirror image of that shown;

FIG. 5 is an enlarged fragmentary inside view of the utility cart leg bottom;

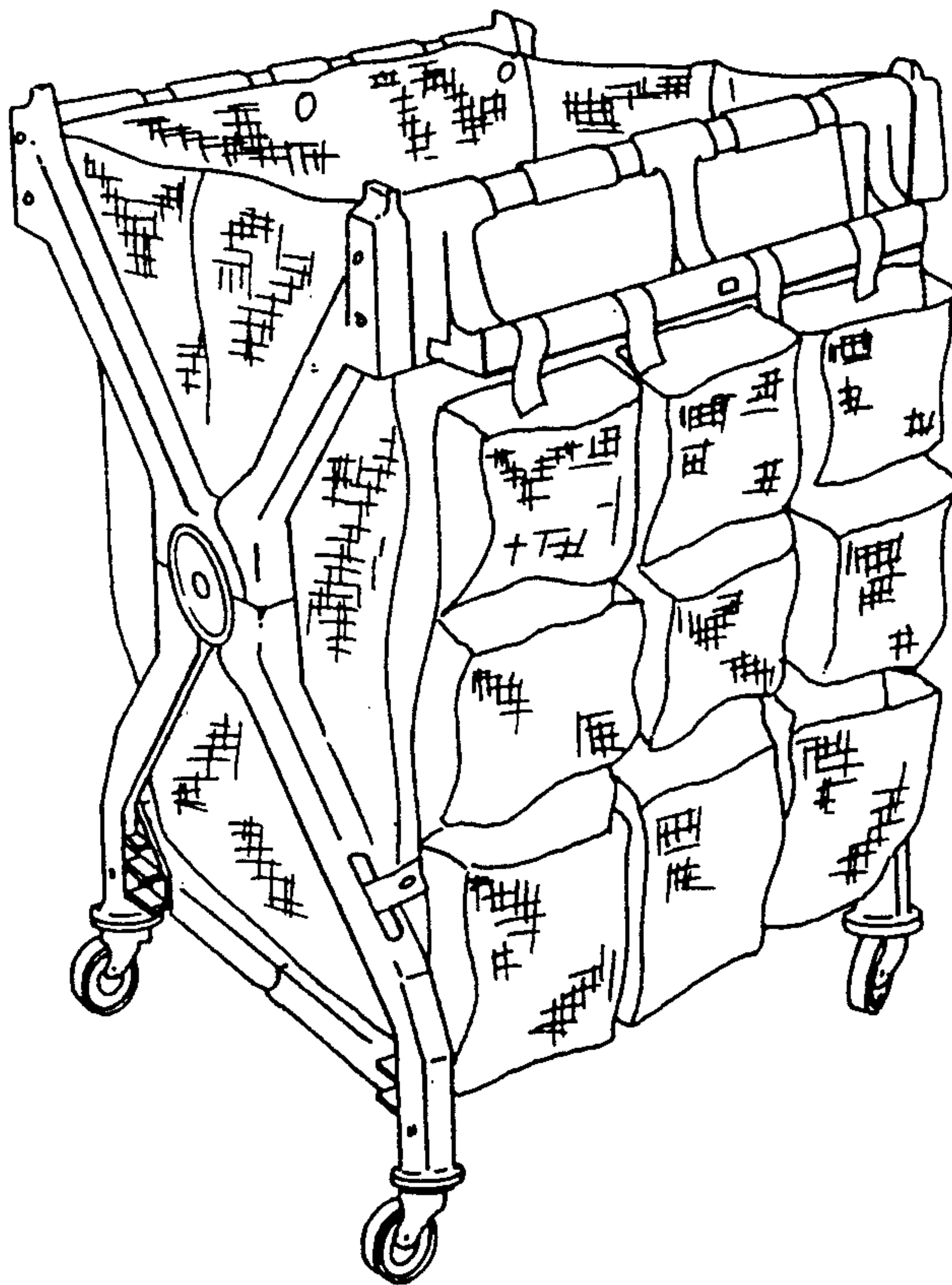
FIG. 6 is a fragmentary outside view of the utility cart leg bottom;

FIG. 7 is an enlarged view of the rotator of the utility cart;

FIG. 8 is an inside view of the rotator;

FIG. 9 is a rear view of the outer rotator member; and

FIG. 10 is a rear view of the inner rotator member.



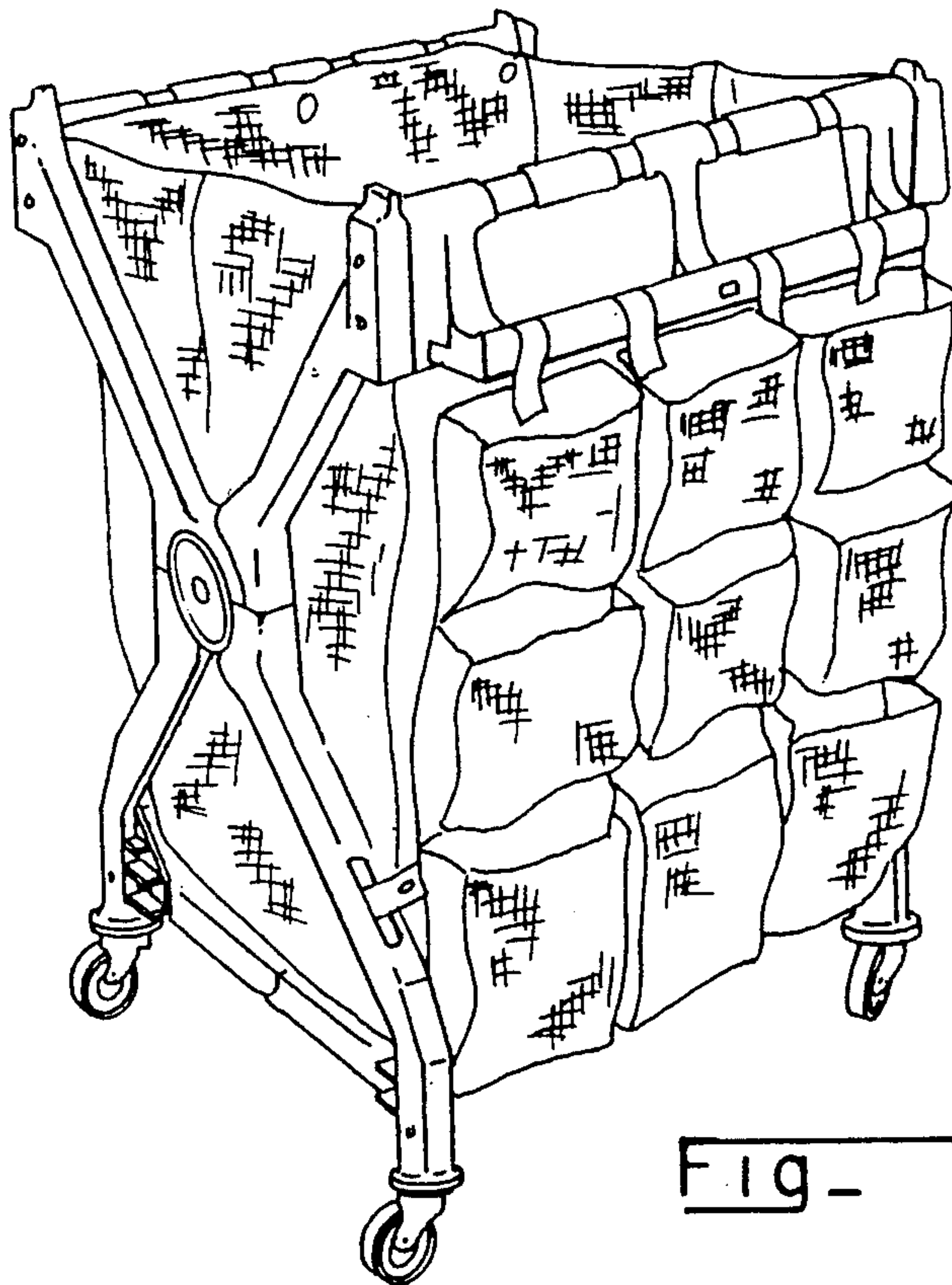


FIG - 1

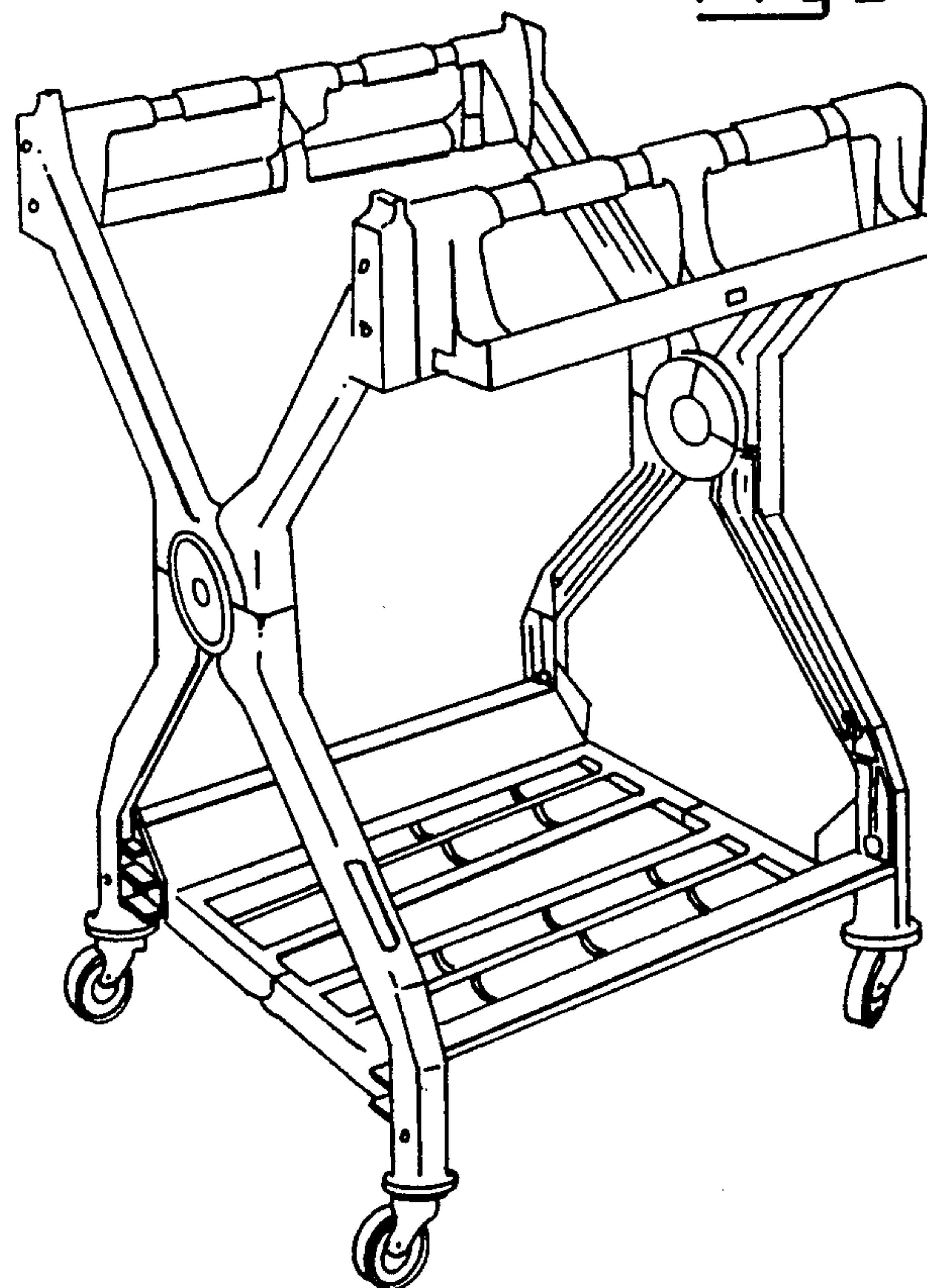


FIG - 2

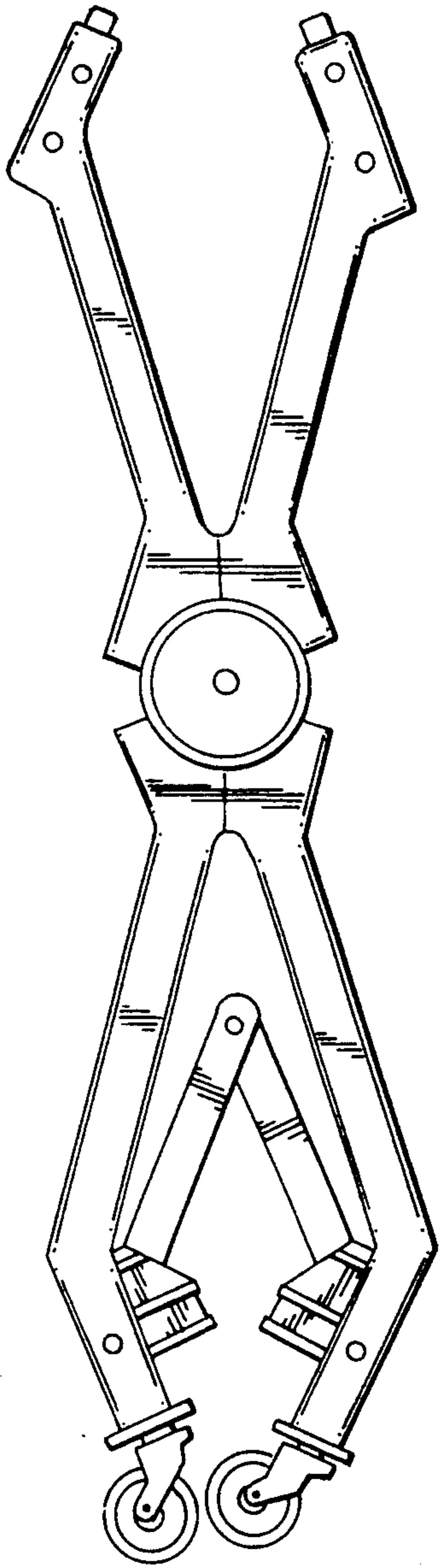


FIG - 3

FIG - 4

