

[54] **PAINT TRAY HOLDER WITH PAINT ROLLER SUPPORT**

[76] **Inventor: George Lewicki, 131 Bearberry Crescent N.W., Calgary, Alberta, Canada, T3K 1R1**

[**] **Term: 14 Years**

[21] **Appl. No.: 299,521**

[22] **Filed: Jan. 23, 1989**

[52] **U.S. Cl. D32/54; D8/373**

[58] **Field of Search D32/53, 53.1, 54; D6/566-567; D8/349, 373, 380; 211/65-66, 106; 220/85 H, 95-96; 248/175, 210-211, 302-303; 15/257.05-257.06**

[56] **References Cited**

U.S. PATENT DOCUMENTS

623,245	4/1899	Hamilton	248/175 X
1,146,488	7/1915	Finkelstein	248/175 X
2,284,452	5/1942	Simons	211/65
2,659,096	11/1953	Mencfeldowski, Jr.	15/257.06
2,698,450	1/1955	Mack	15/257.06
2,950,012	8/1960	Mascaretti	211/65
3,091,793	6/1963	Bentley	15/257.06
3,409,935	11/1968	Wishnick	16/114 R
3,493,988	2/1970	Tidwell	15/257.06

3,590,416	7/1971	Henningaen	15/257.06
3,641,616	2/1972	Bonci	15/257.06
3,731,840	5/1973	Beutler et al.	220/95
3,837,034	9/1974	Leffert	15/257.06
3,870,420	3/1975	Hawk	401/121
4,023,702	5/1977	McKnight	220/94 R
4,025,206	5/1977	Rubin	401/123
4,205,411	6/1980	Cupp et al.	15/257.06
4,721,225	1/1988	Sobel	220/90

FOREIGN PATENT DOCUMENTS

1081145 7/1980 Canada .

Primary Examiner—Wallace R. Burke
Assistant Examiner—Lavone D. Tabor
Attorney, Agent, or Firm—John M. Johnson

[57] **CLAIM**

The ornamental design for a paint tray holder with paint roller support, as shown and described.

DESCRIPTION

FIG. 1 is a perspective view of a paint tray holder with paint roller support showing my new design; FIG. 2 is a side elevational view thereof, the opposite side being a mirror image; FIG. 3 is a top plan view thereof; FIG. 4 is a front elevational view thereof; and FIG. 5 is a rear elevational view thereof.

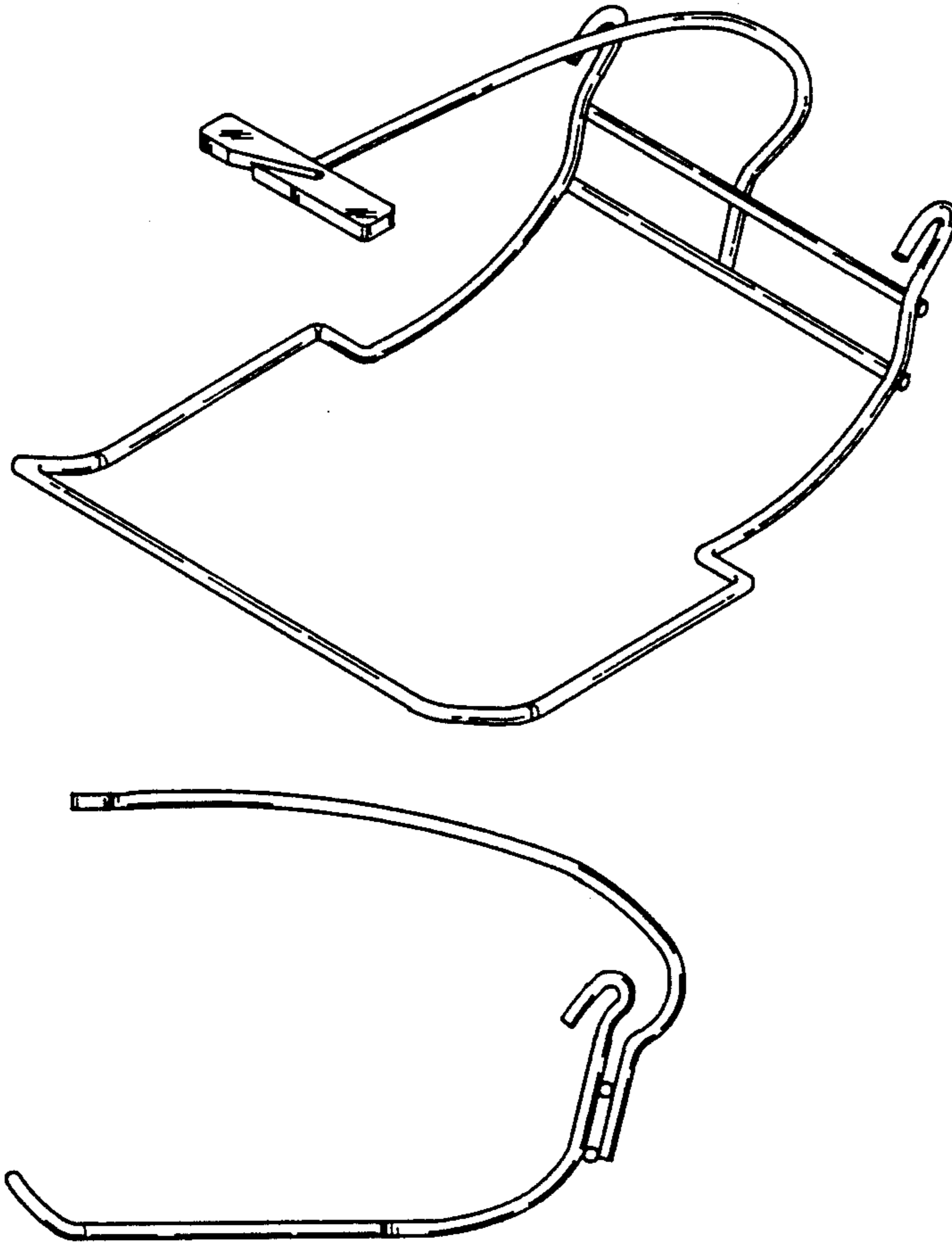


FIG. 1

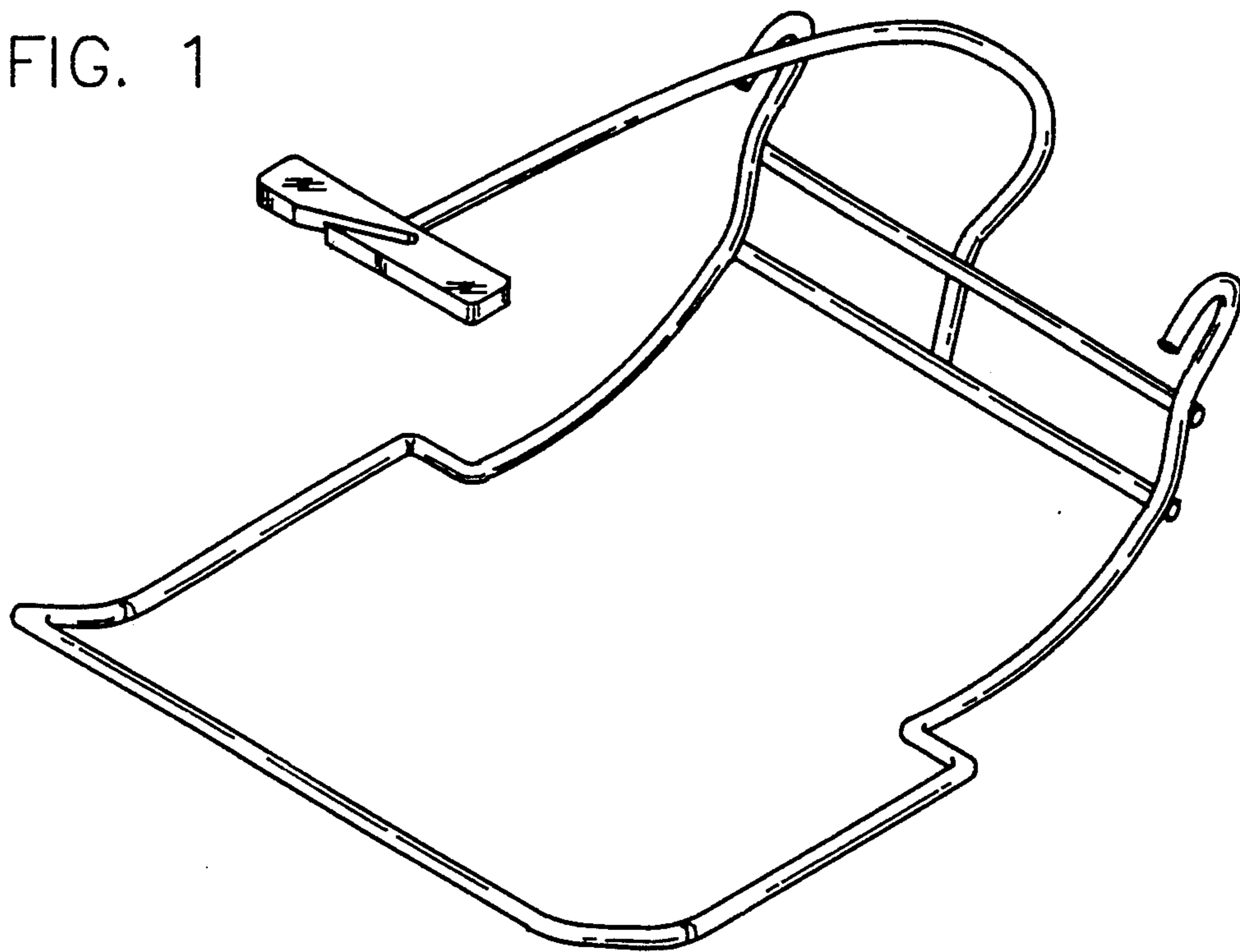


FIG. 2

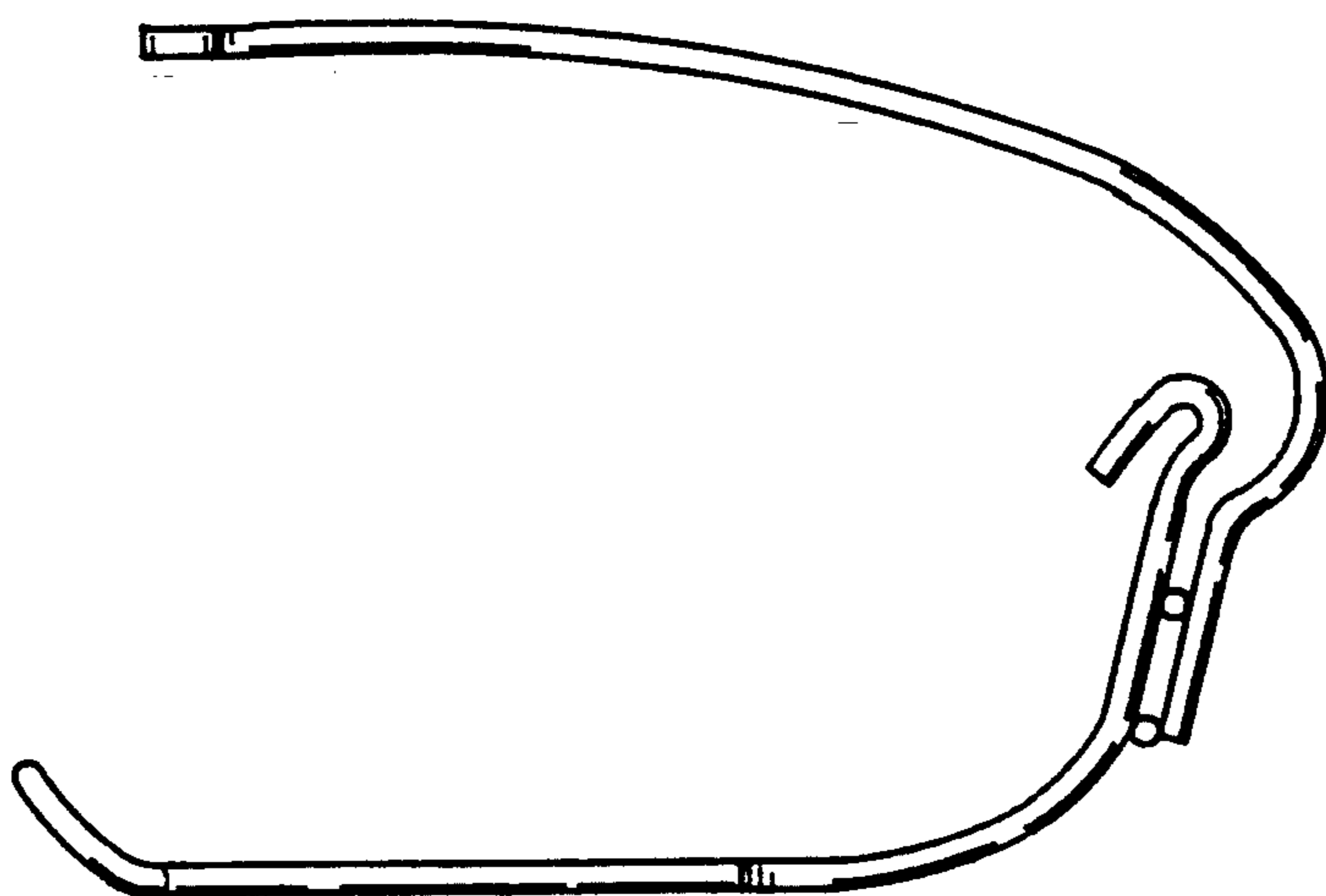


FIG. 3

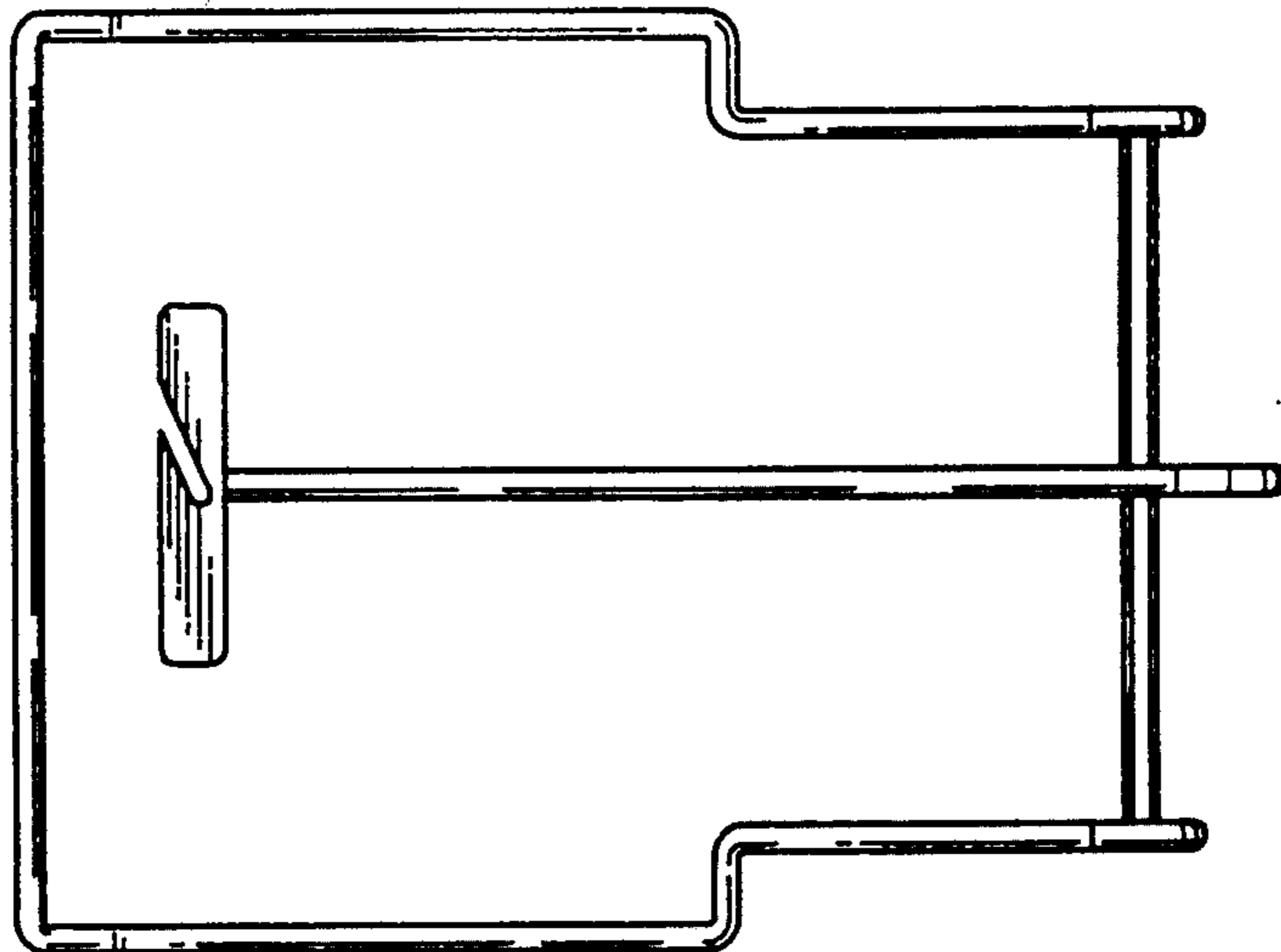


FIG. 5

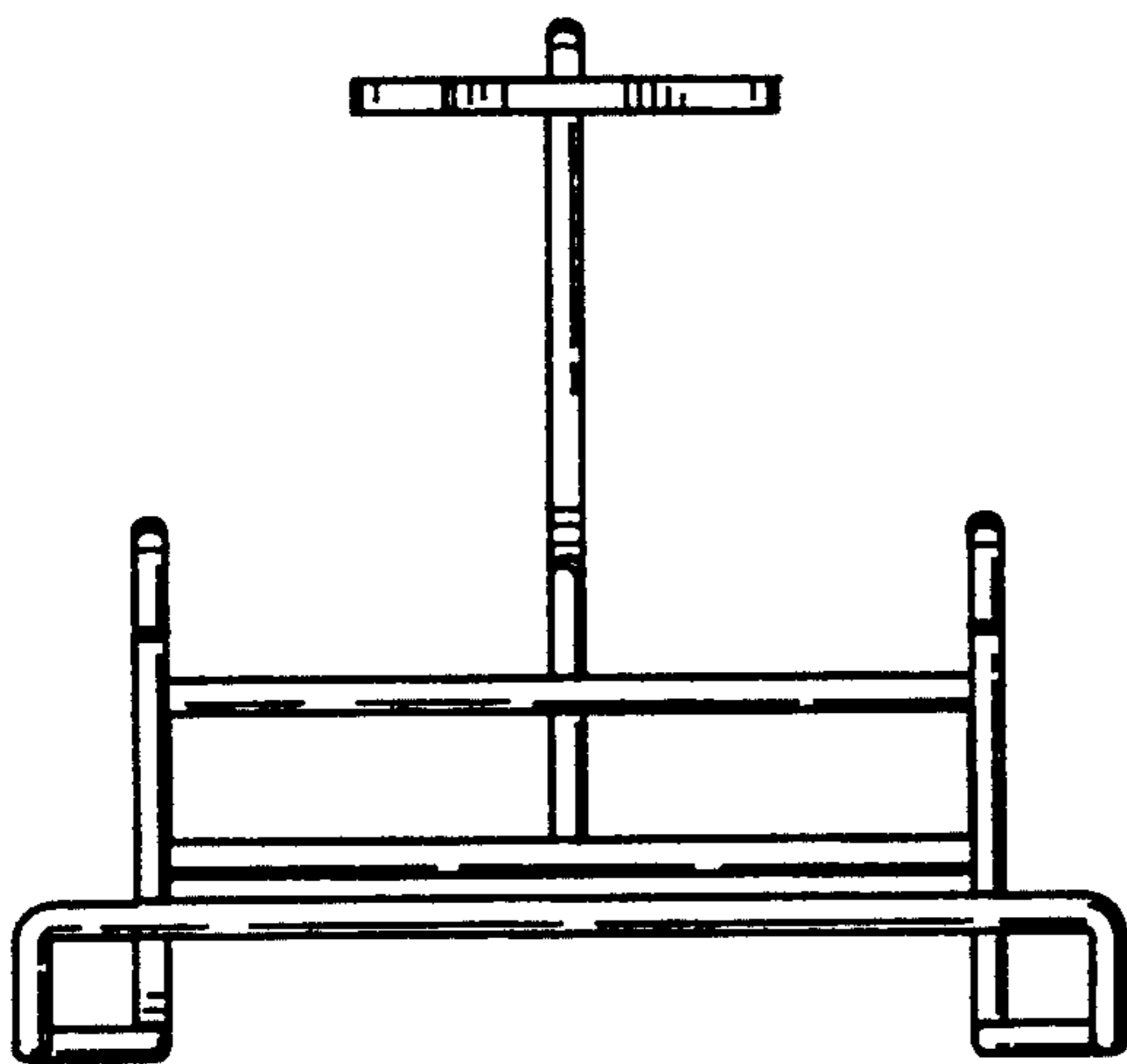


FIG. 4

