

[54] SHIELD FOR PROTECTING A TRUCK DRIVING LIGHT FROM ROAD DAMAGE

[76] Inventor: Roy M. Neece, 9436 Tranquil Acres Rd., Saginaw, Tex. 76179

[\*\*] Term: 14 Years

[21] Appl. No.: 349,784

[22] Filed: May 5, 1989

[52] U.S. Cl. .... D26/139

[58] Field of Search ..... D26/28, 139, 118, 120, D26/122; 362/61, 80, 80.1, 81, 82, 83, 83.2, 83.3, 330, 334, 354, 355, 376, 326

[56] References Cited

U.S. PATENT DOCUMENTS

D. 152,807	2/1949	Latousek	.....	D26/122
D. 284,314	6/1986	Gavlik	.....	D26/139
1,163,590	12/1915	Dobes	.....	D26/139 X
3,237,006	2/1966	Schluter	.....	362/355
4,439,817	3/1984	Aton	.....	362/80 X
4,894,761	1/1990	Gray	.....	362/376

OTHER PUBLICATIONS

J. C. Whitney Auto Accessories catalog, #458D, 1985, p. 96, Headlight Protective Shields.

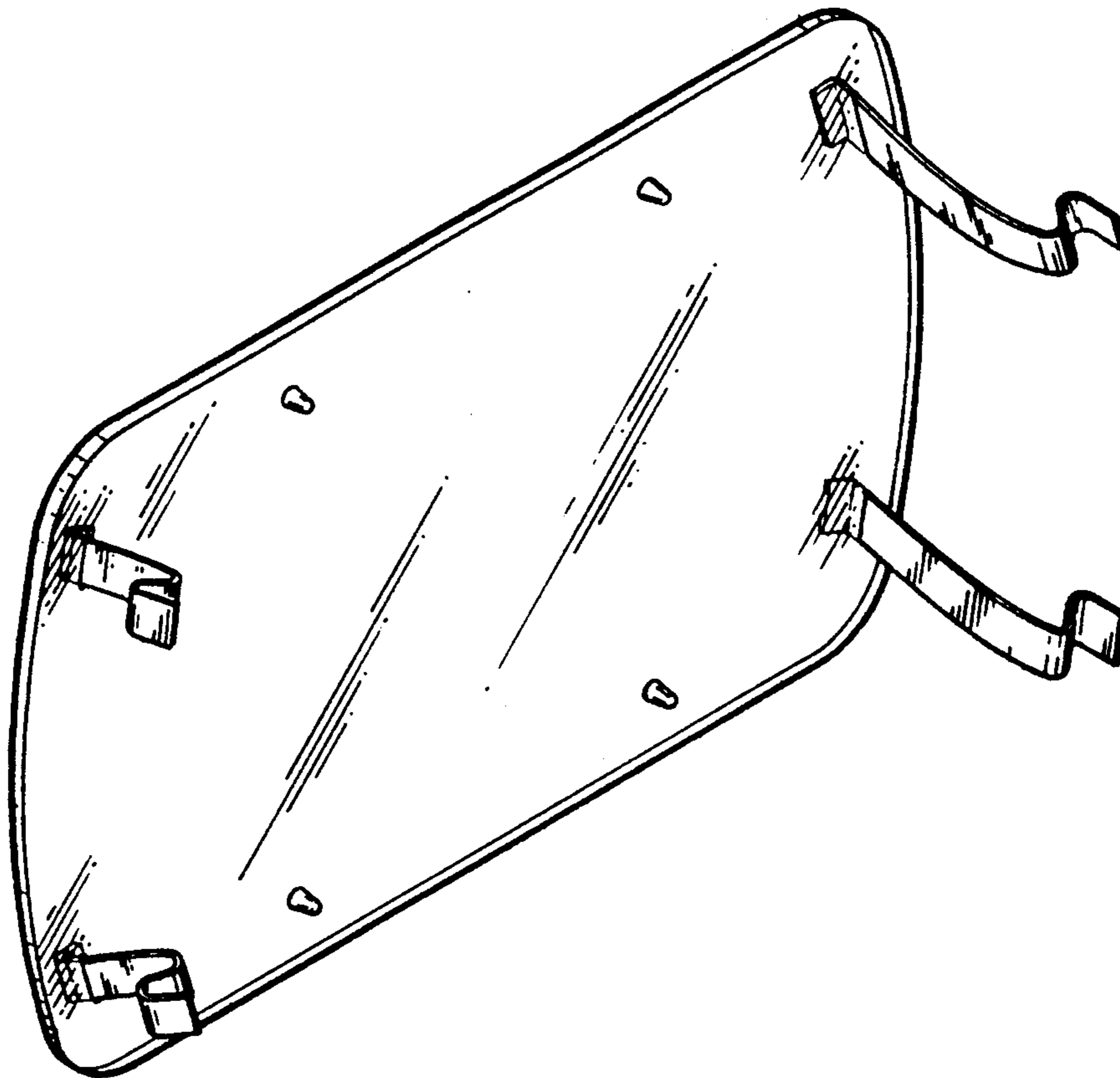
Primary Examiner—Susan J. Lucas  
Attorney, Agent, or Firm—Charles W. McHugh

[57] CLAIM

The ornamental design for a shield for protecting a truck driving light from road damage, as shown and described.

DESCRIPTION

FIG. 1 is a perspective view of the shield for protecting a truck driving light from road damage showing my new design, taken from the rear of the shield; FIG. 2 is a rear elevational view thereof; FIG. 3 is a front elevational view thereof; FIG. 4 is a right side elevational view thereof; FIG. 5 is a left side elevational view thereof; and FIG. 6 is a bottom plan view thereof, with both the bottom and top views being identical.



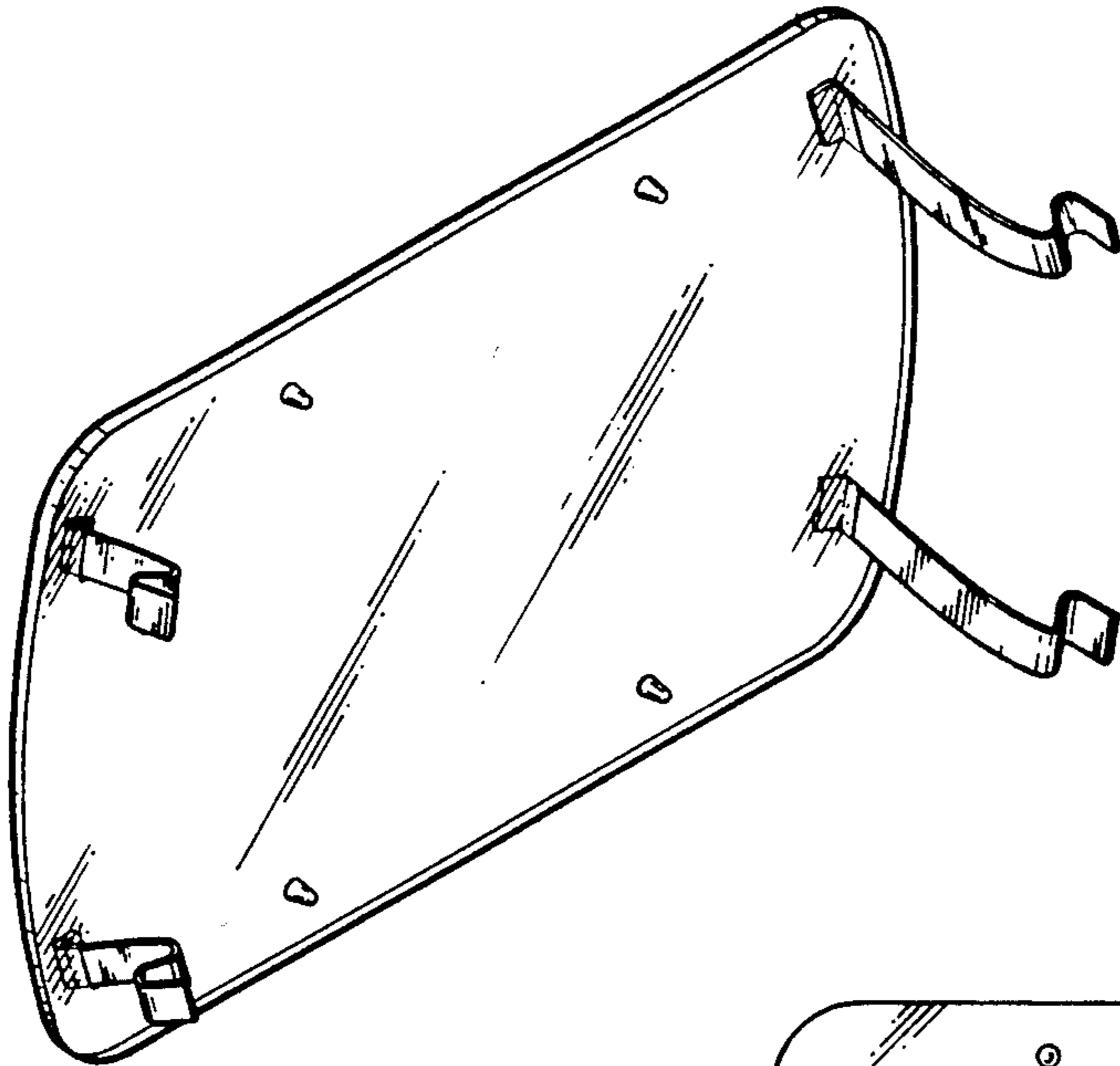


FIG. 1

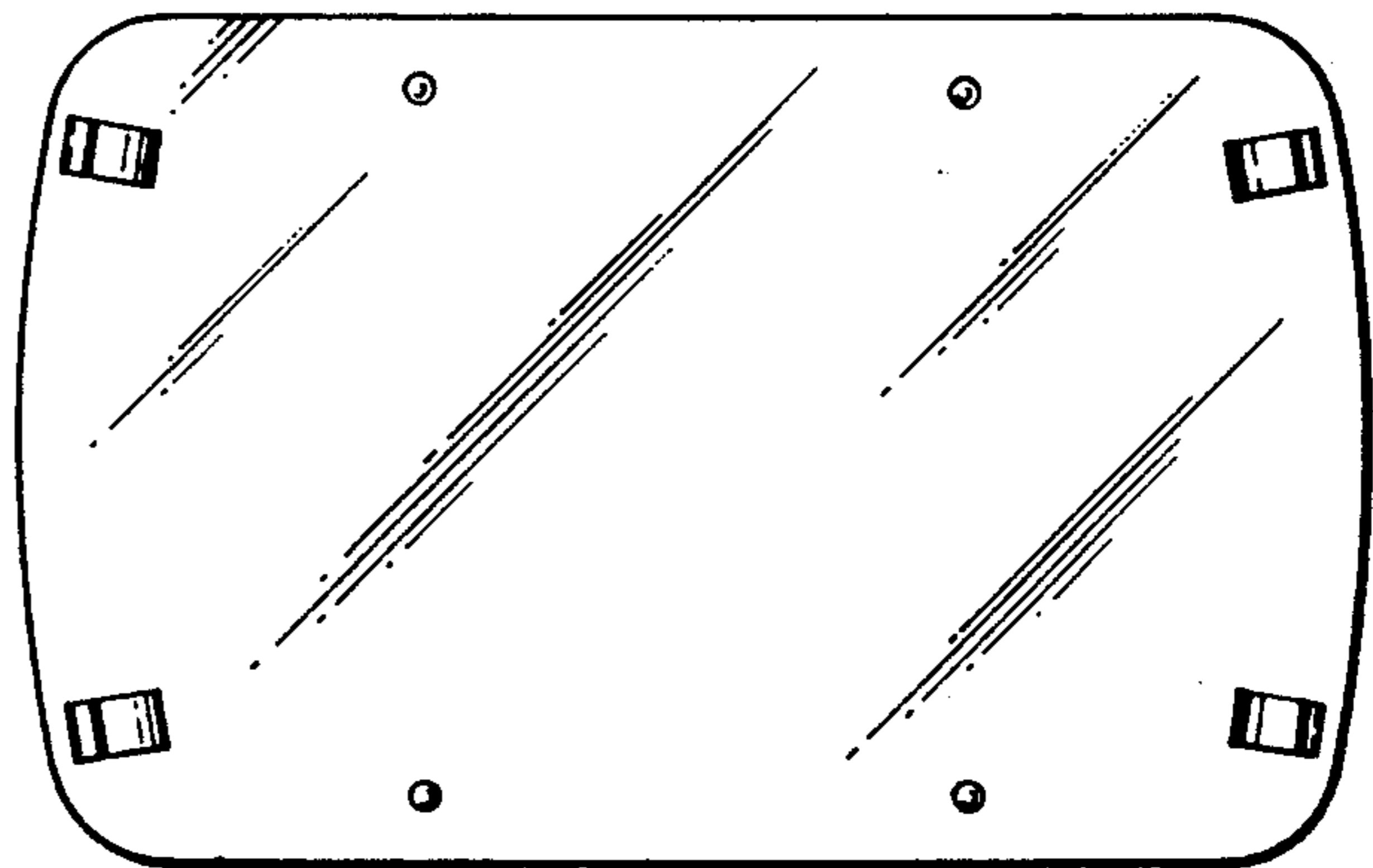


FIG. 2

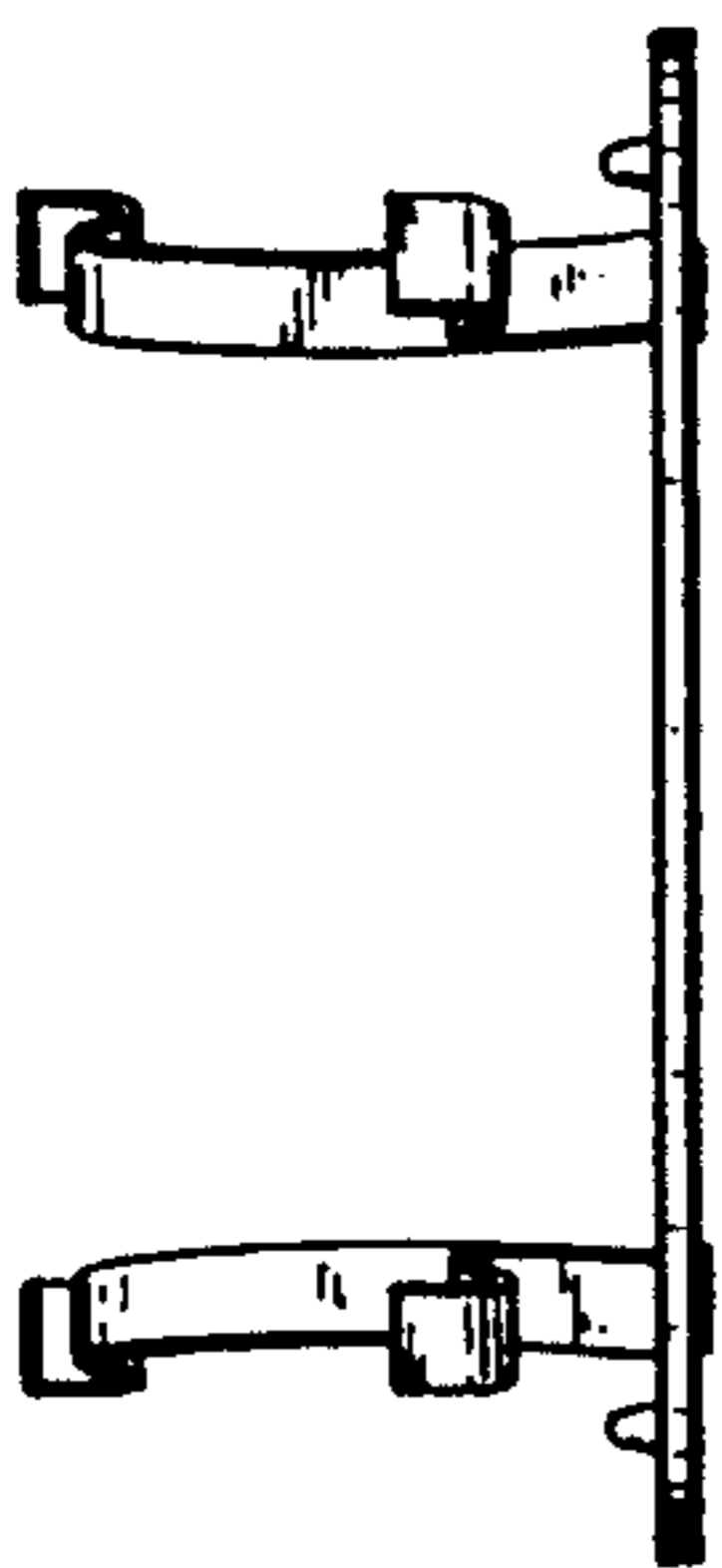


FIG. 4

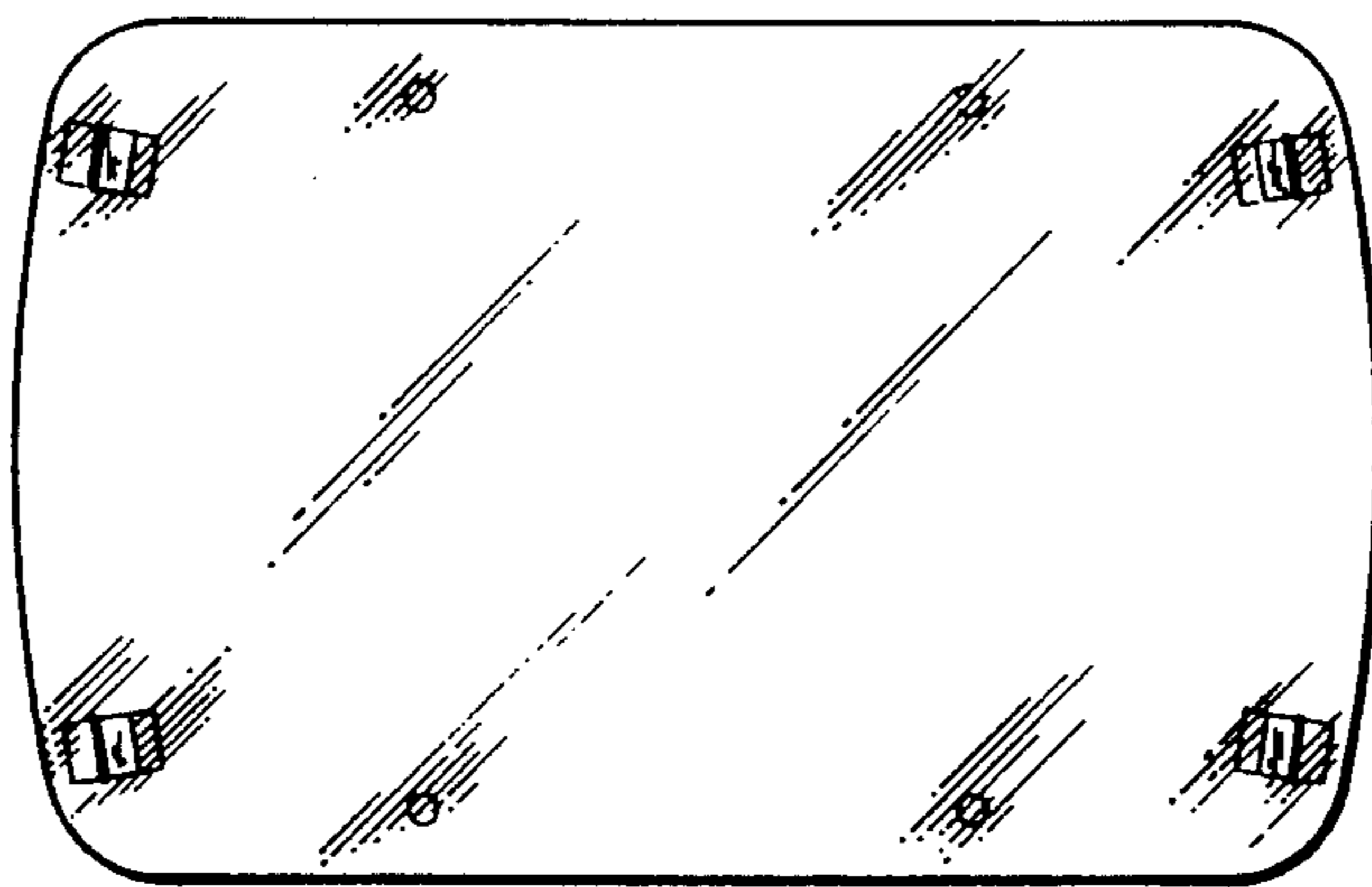


FIG. 3

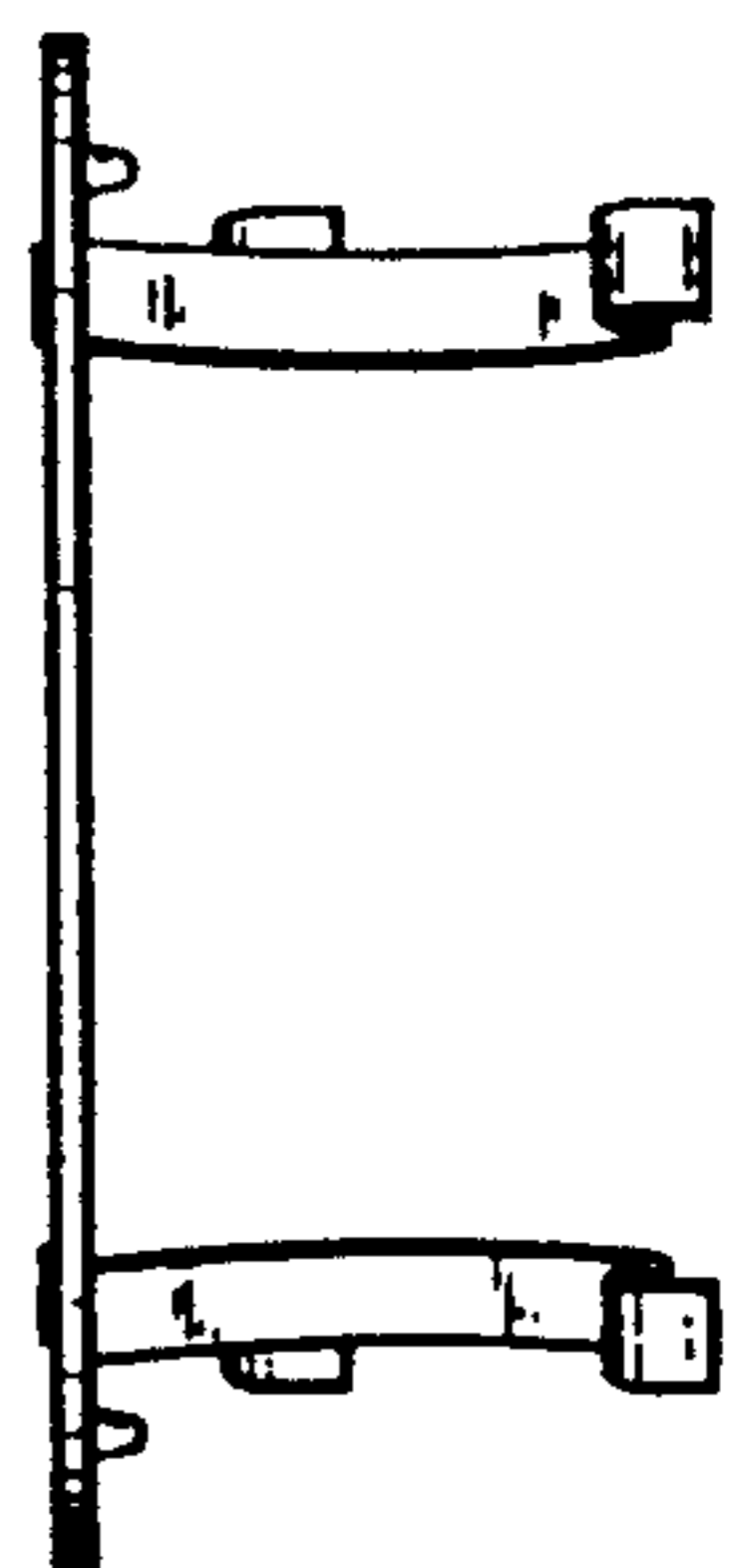


FIG. 5

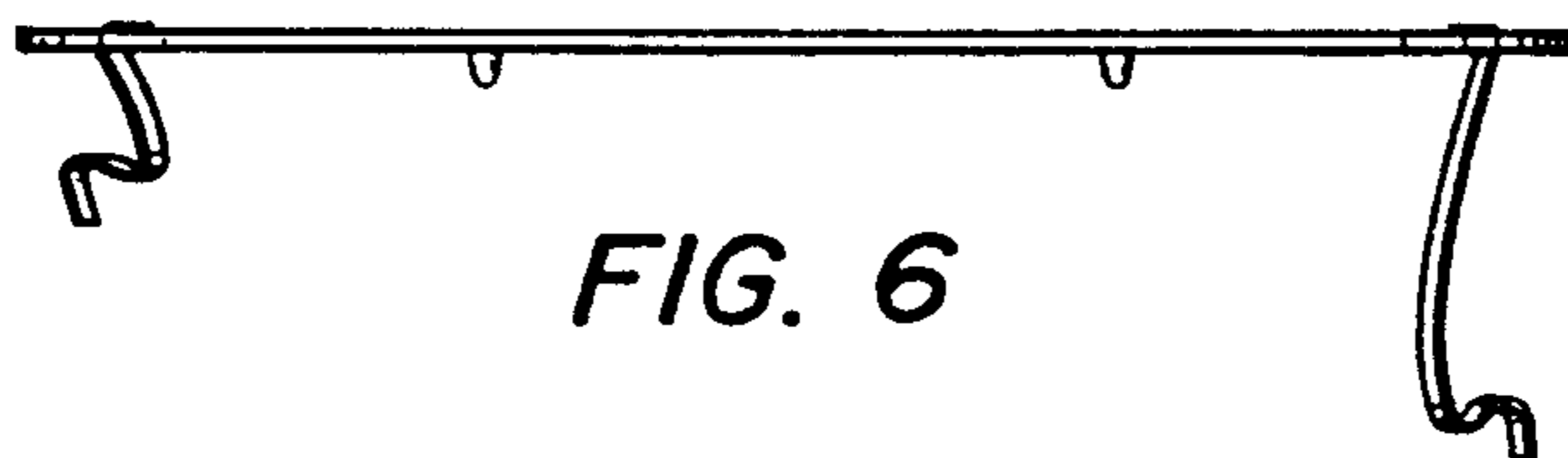


FIG. 6