

[54] RETAINING WALL BLOCK

[75] Inventors: Peter J. Blomquist; Michael E. Woolford, both of Lake Elmo, Minn.

[73] Assignee: Kiltie Corporation, North St. Paul, Minn.

[**] Term: 14 Years

[21] Appl. No.: 622,160

[22] Filed: Nov. 30, 1990

Related U.S. Application Data

[63] Continuation of Ser. No. 267,744, Nov. 7, 1988, abandoned.

[52] U.S. Cl. D25/118

[58] Field of Search D25/112, 113, 116, 118; 52/169.1, 169.4, 415, 425, 439, 596, 598, 605-610; 405/119, 284-286

[56] References Cited

U.S. PATENT DOCUMENTS

- D. 21,522 5/1892 Lewis D25/113
- D. 36,805 2/1904 Palmer D25/151
- D. 249,558 9/1978 Blomqvist D25/113

- 415,773 11/1889 Fiske D25/151
- 2,629,135 2/1953 Johnson 52/314
- 2,847,848 8/1958 Grants D25/113

FOREIGN PATENT DOCUMENTS

- 1034228 7/1953 France D25/113

OTHER PUBLICATIONS

Audel's Mason's and Builder's Guide ©1924, pp. 954, 956, 959, 961, 962, vol. 4.

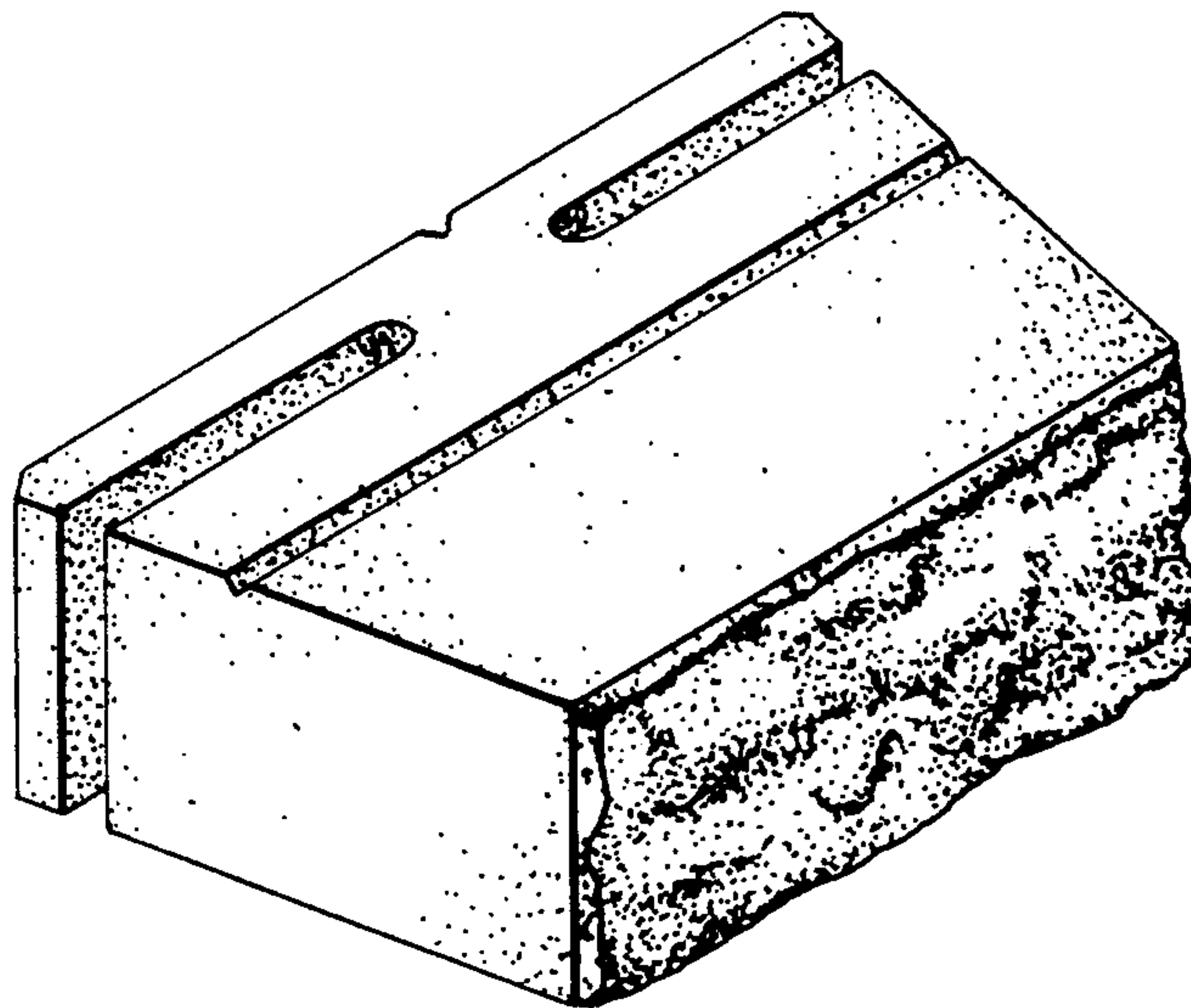
Primary Examiner—A. Hugo Word
Assistant Examiner—Doris Clark
Attorney, Agent, or Firm—Kinney & Lange

[57] CLAIM

The ornamental design for a retaining wall block, as shown and described.

DESCRIPTION

FIG. 1 is a perspective view of a retaining wall block showing our new design;
FIG. 2 is a front elevational view thereof;
FIG. 3 is a top plan view thereof;
FIG. 4 is a side elevational view thereof;
FIG. 5 is a rear elevational view thereof; and
FIG. 6 is a bottom plan view thereof.



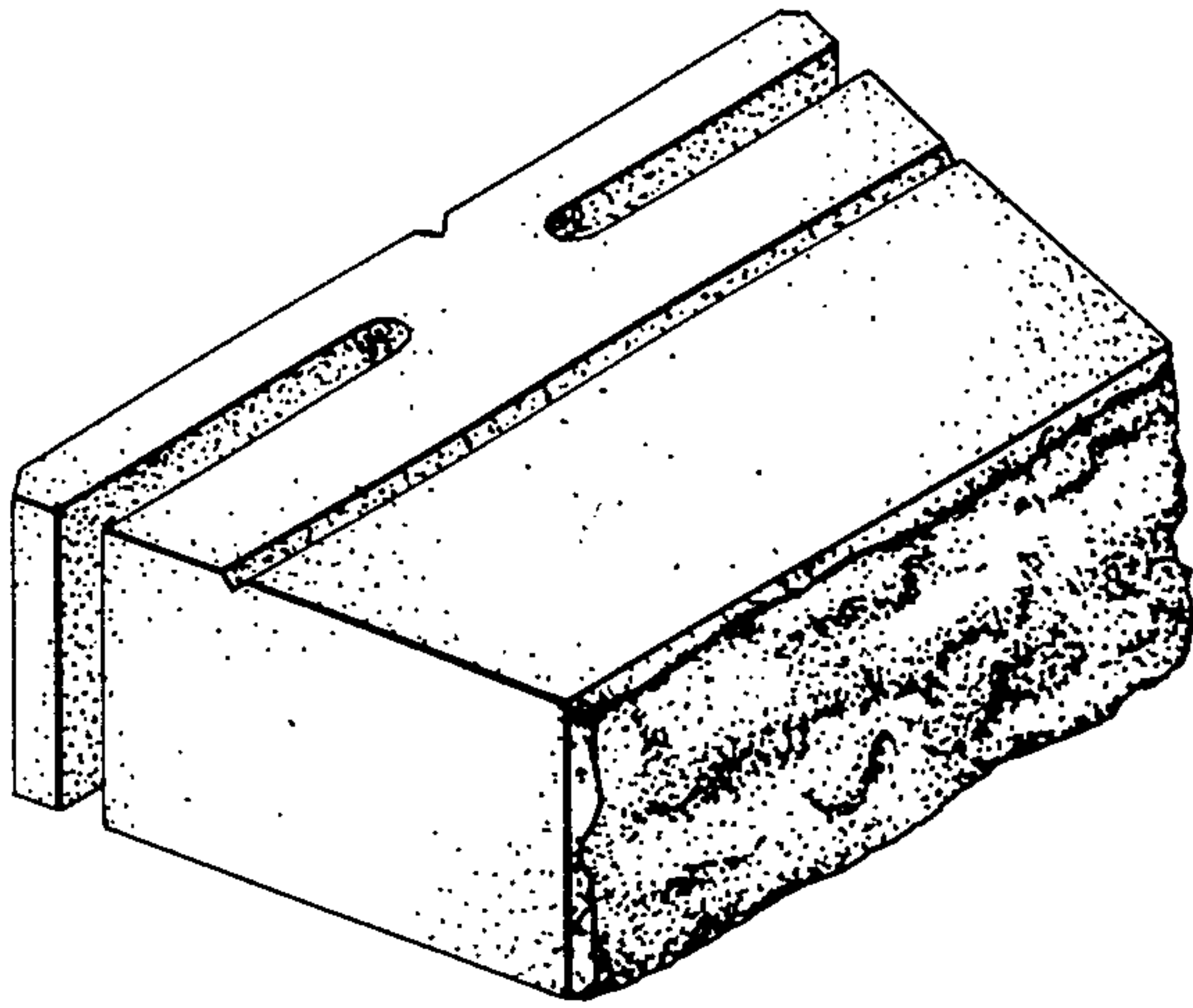


Fig. 1



Fig. 2

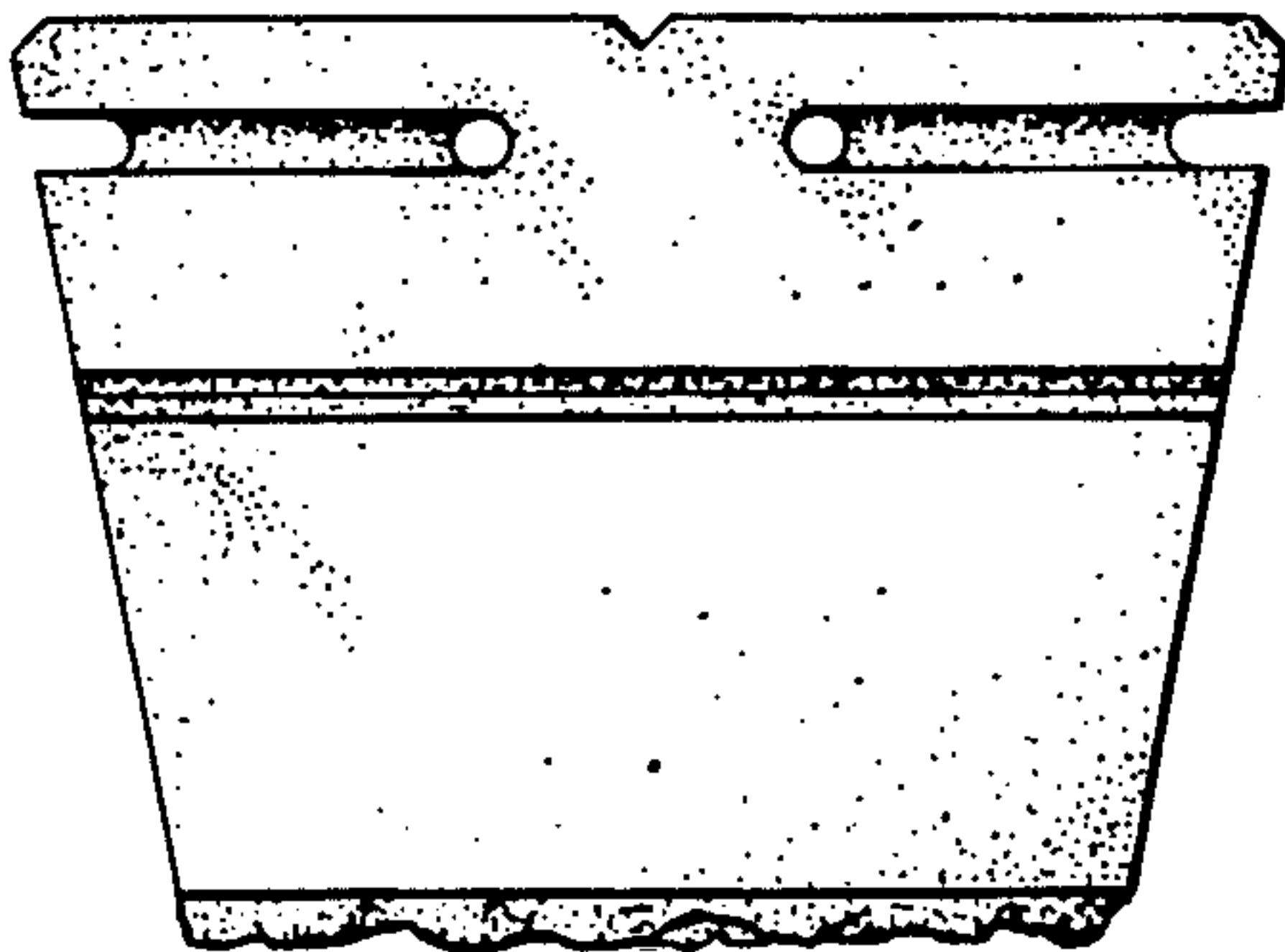


Fig. 3



Fig. 4

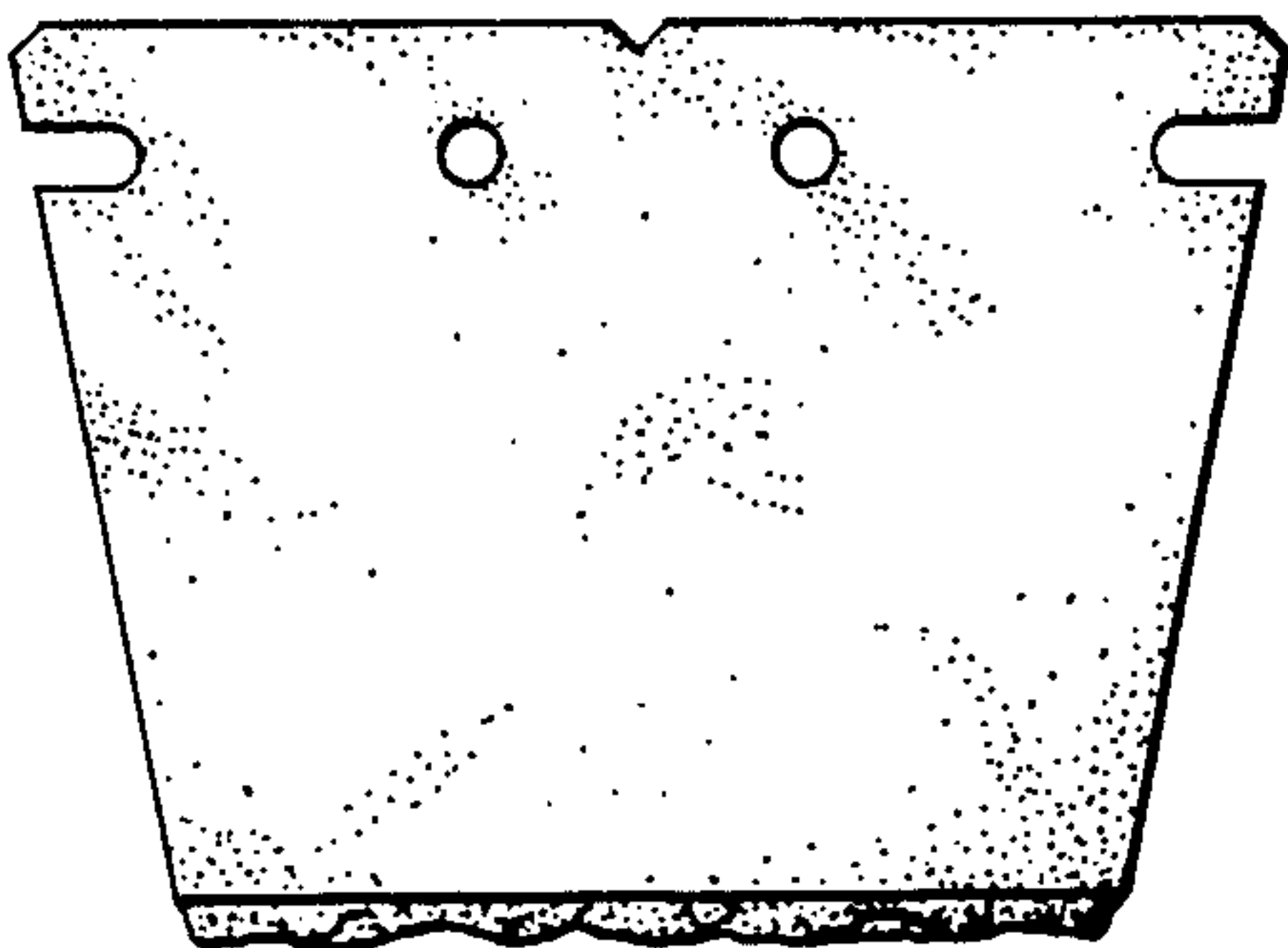


Fig. 6



Fig. 5