

[54] FIREWOOD SUPPORT UNIT

[76] Inventor: William C. Nagy, 18 Walnut Dr., Lake In The Hills, Ill. 60102

[**] Term: 14 Years

[21] Appl. No.: 595,486

[22] Filed: Oct. 10, 1990

[52] U.S. Cl. D23/410

[58] Field of Search D23/410, 398, 403; D6/462-469; 211/60.1, 49.1

[56] References Cited

U.S. PATENT DOCUMENTS

- D. 267,466 1/1983 Hassett et al. D23/398
- 4,765,491 8/1988 Mueller 211/49.1

OTHER PUBLICATIONS

1981 Woodstove directory, Snowshoe Log Racks SLR1 and SLR2, top right side of page.

Primary Examiner—James M. Gandy
Assistant Examiner—Lisa Lichtenstein
Attorney, Agent, or Firm—Terry M. Gernstein

[57] CLAIM

The ornamental design for a firewood support unit, as shown and described.

DESCRIPTION

FIG. 1 is a perspective view of a firewood support unit, showing my new design;
FIG. 2 is a front elevation view thereof, the rear being a mirror image of that shown;
FIG. 3 is a side elevation view thereof, the opposite side being a mirror image of that shown;
FIG. 4 is a top plan view thereof.
FIG. 5 is a bottom plan view thereof.

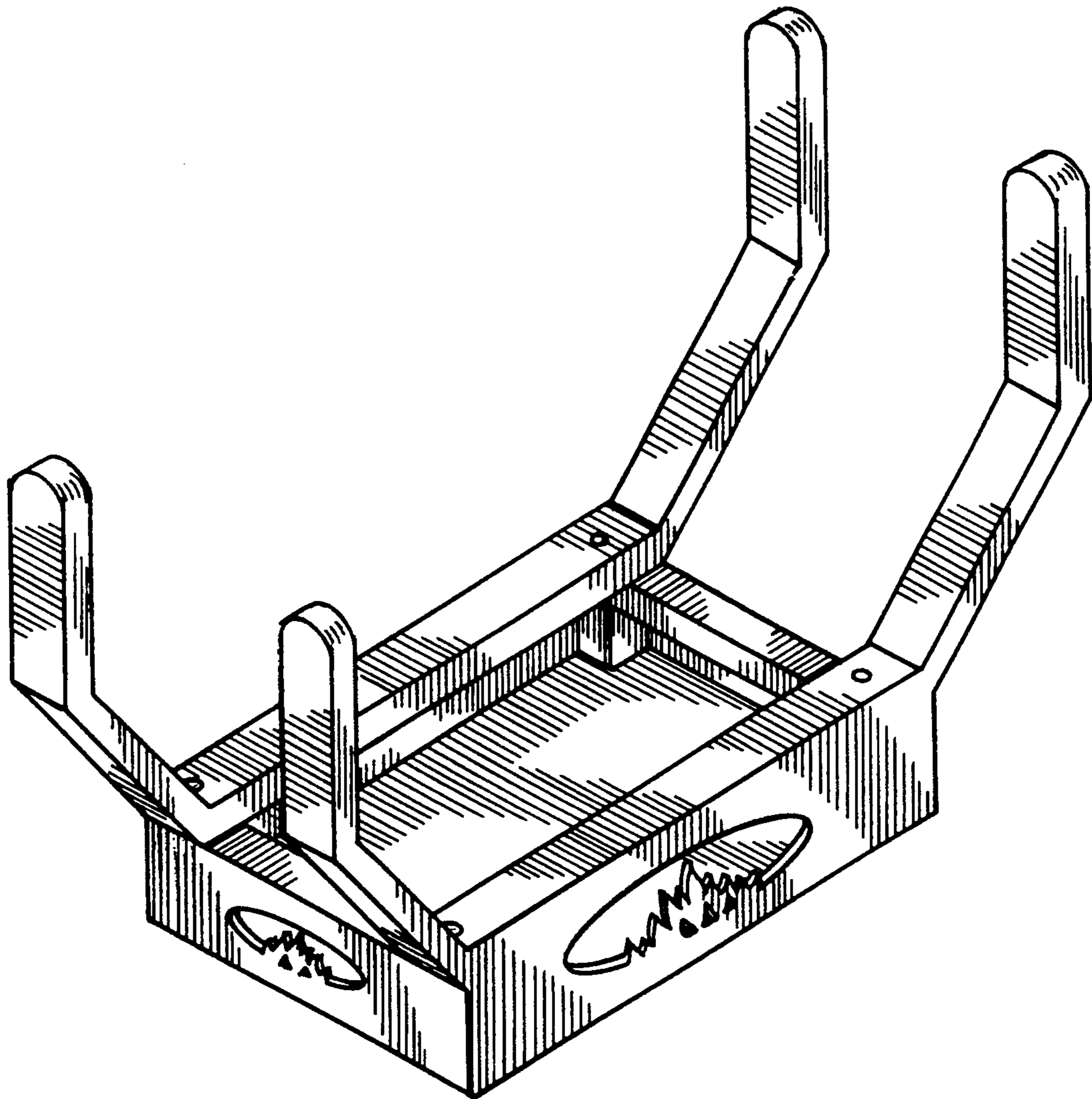


FIG. 1

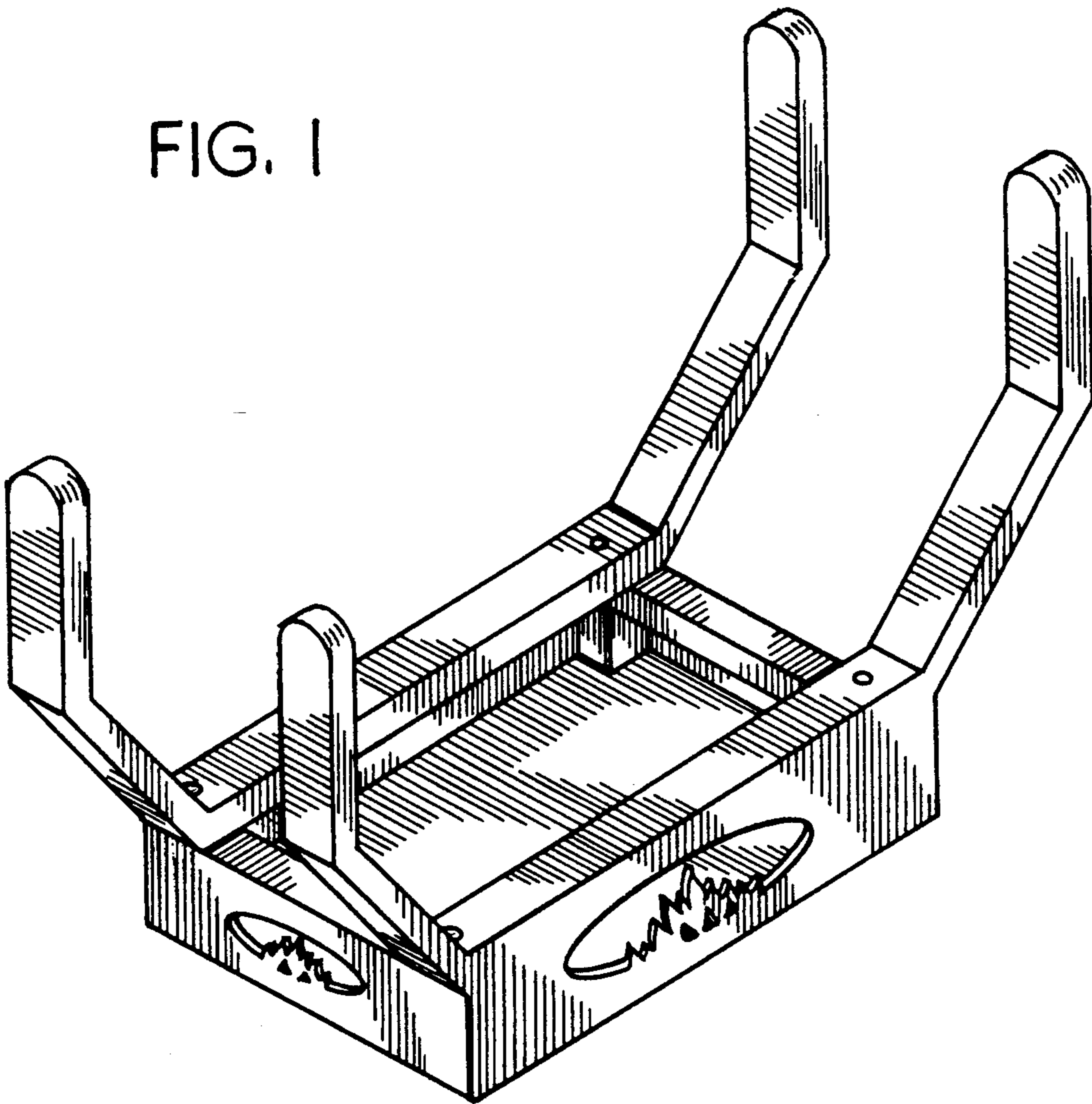


FIG. 3

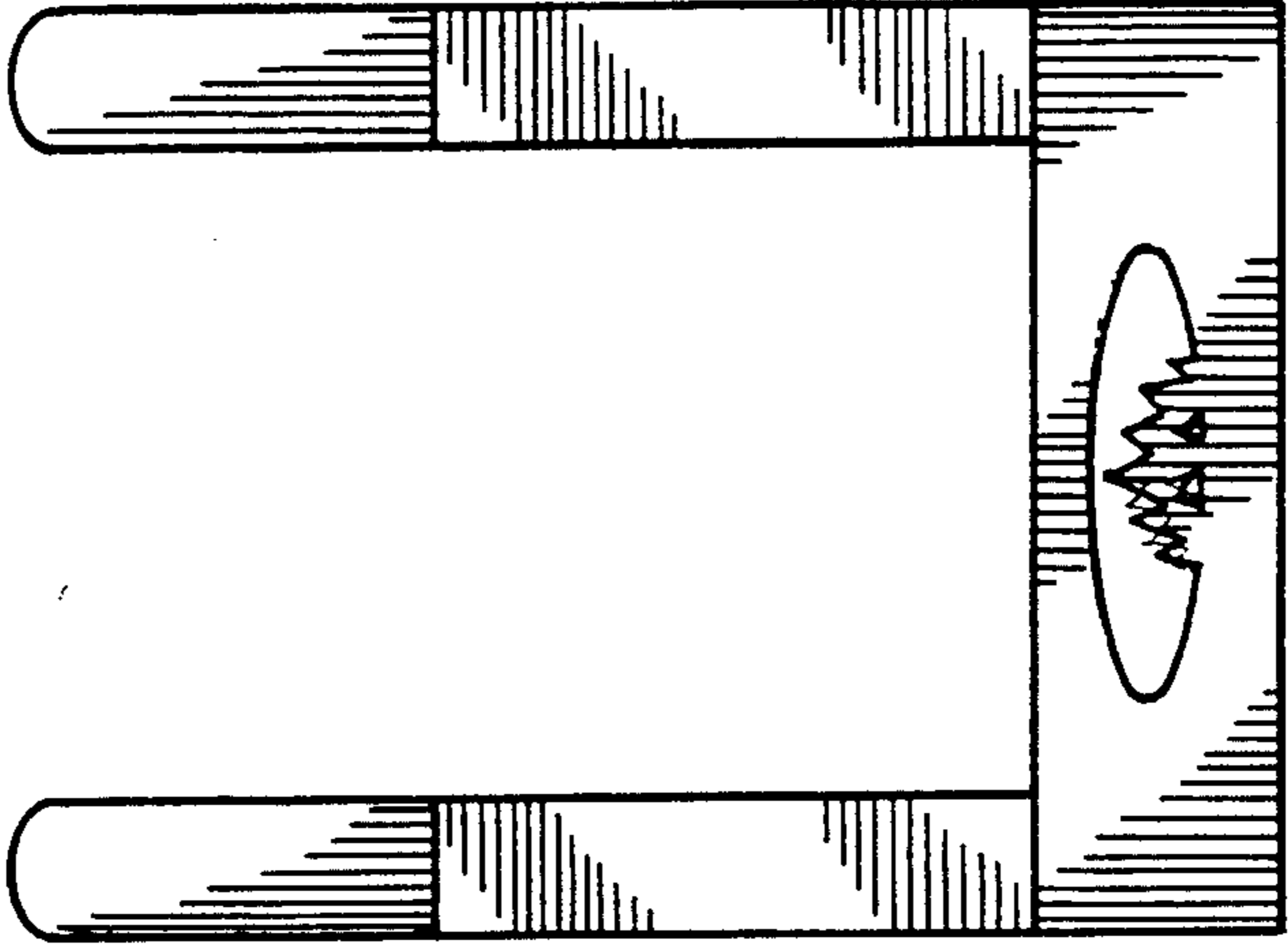


FIG. 2

