

[54] AIR FRESHENER

[76] Inventor: Heinz H. Weick, 94 rue le la Servette, CH - 1203 Geneva, Switzerland

[\*\*] Term: 14 Years

[21] Appl. No.: 508,988

[22] Filed: Apr. 13, 1990

[30] Foreign Application Priority Data

Oct. 19, 1989 [CH] Switzerland ..... 117734

[52] U.S. Cl. .... D23/369

[58] Field of Search ..... D23/366, 367, 368, 369; 206/0.5; 239/58, 59, 60; 422/123, 120, 5

[56] References Cited

U.S. PATENT DOCUMENTS

4,094,639 6/1978 McMillan ..... 239/58  
4,258,874 3/1981 Webinger et al. .... 239/59

4,940,272 7/1990 Weick ..... 239/59  
4,950,457 8/1990 Weick ..... 422/123

Primary Examiner—James M. Gandy  
Assistant Examiner—Lisa Lichtenstein  
Attorney, Agent, or Firm—Sheridan, Ross & McIntosh

[57] CLAIM

The ornamental design of an air freshener, as shown.

DESCRIPTION

FIG. 1 is a rear perspective view of an air freshener showing my new design with the cover in open position; FIG. 2 is a cross-section thereof taken on line 2—2 of FIG. 3; FIG. 3 is a front elevation view thereof with the cover in open position; FIG. 4 is a rear perspective view of an air freshener with the cover in closed position; and FIG. 5 is a right end elevation view of FIG. 4.

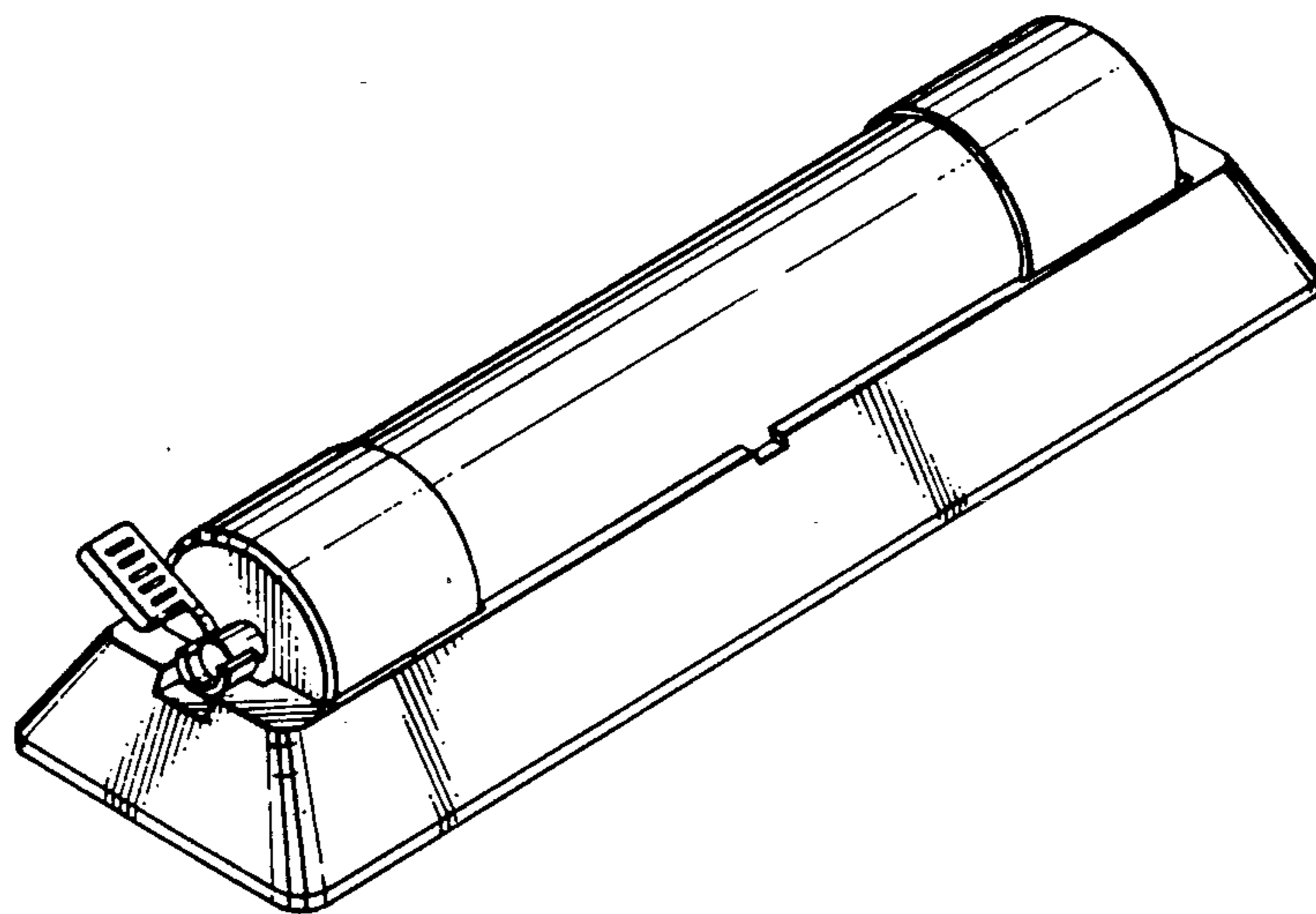
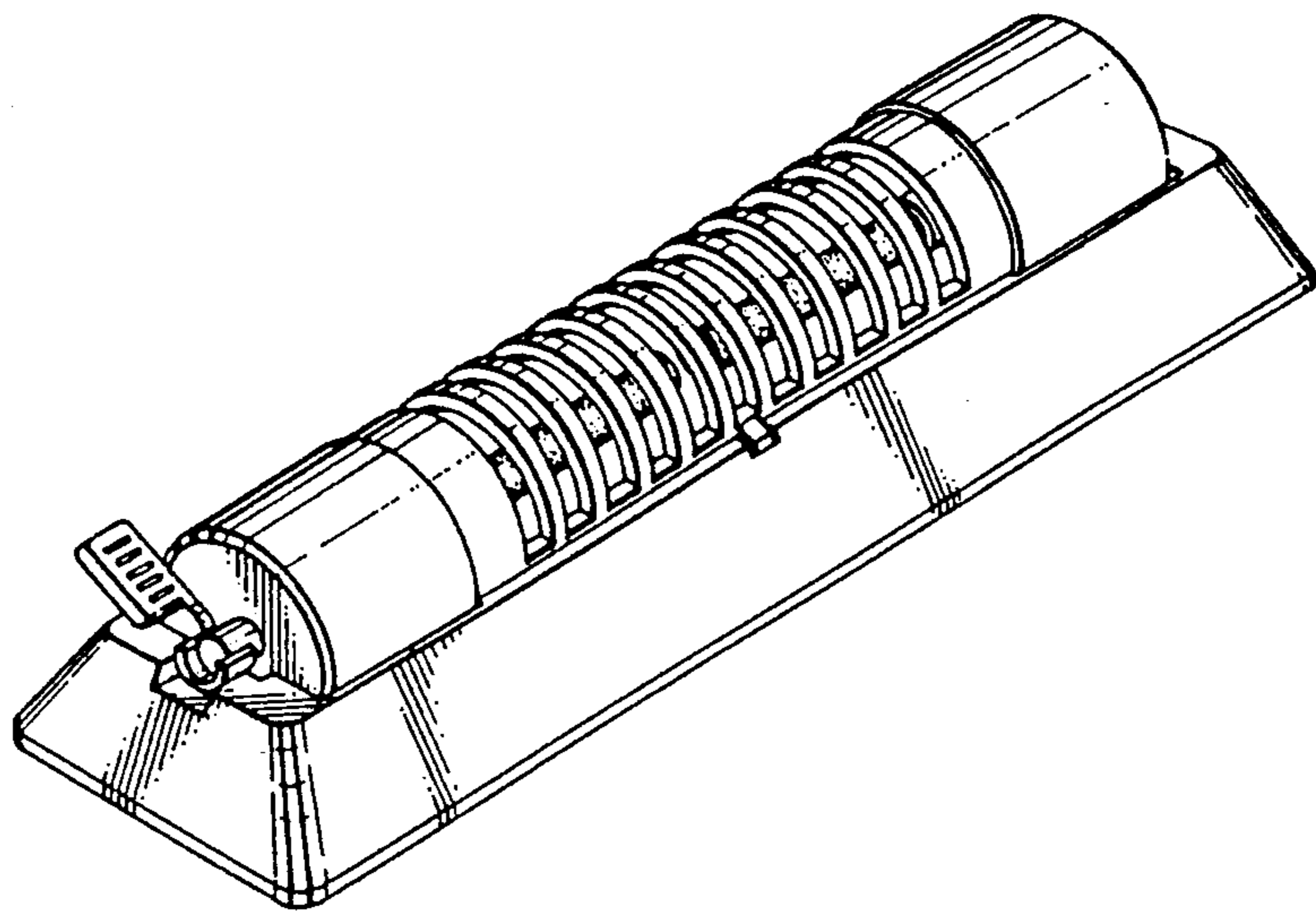


FIG. 1

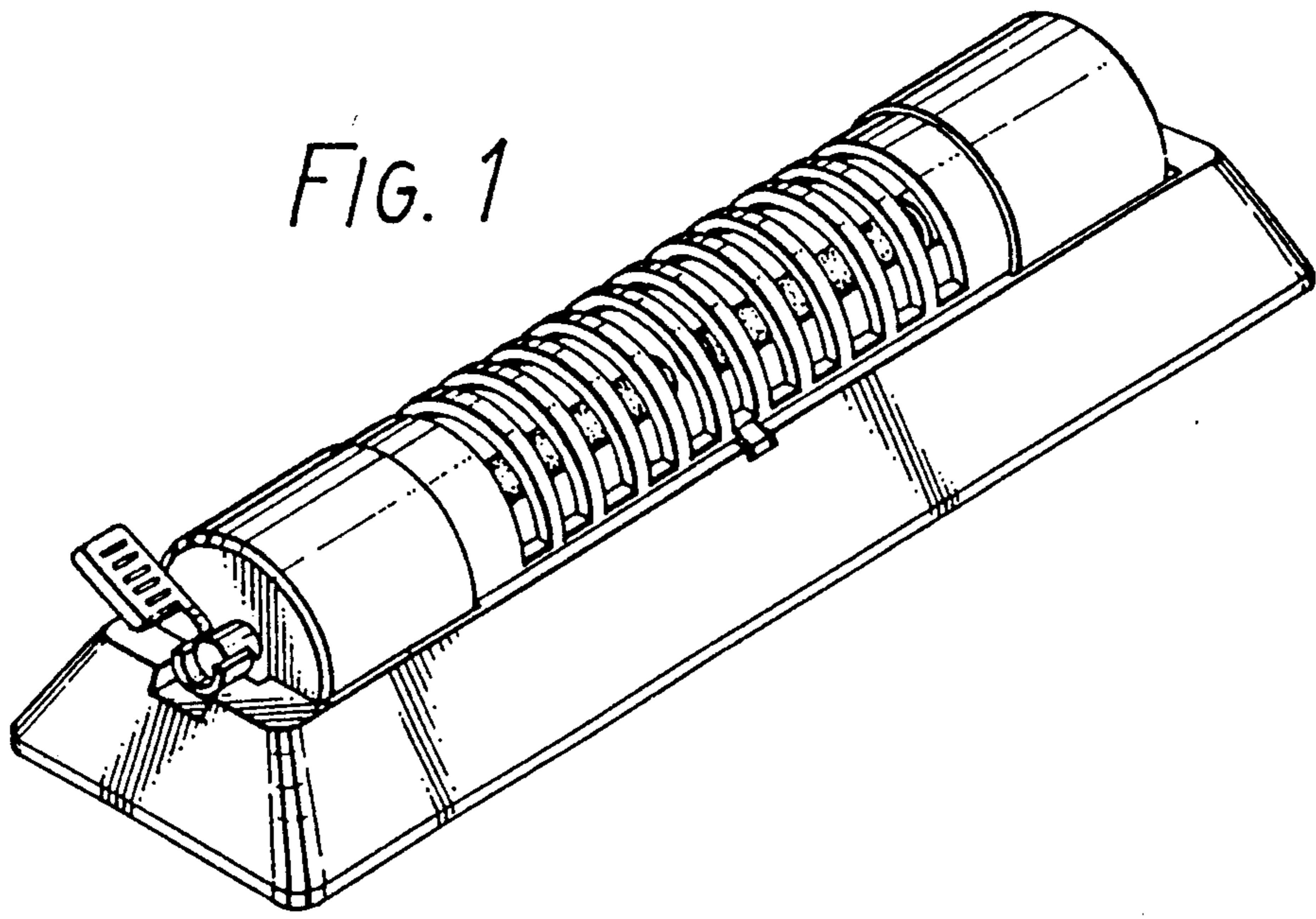


FIG. 2

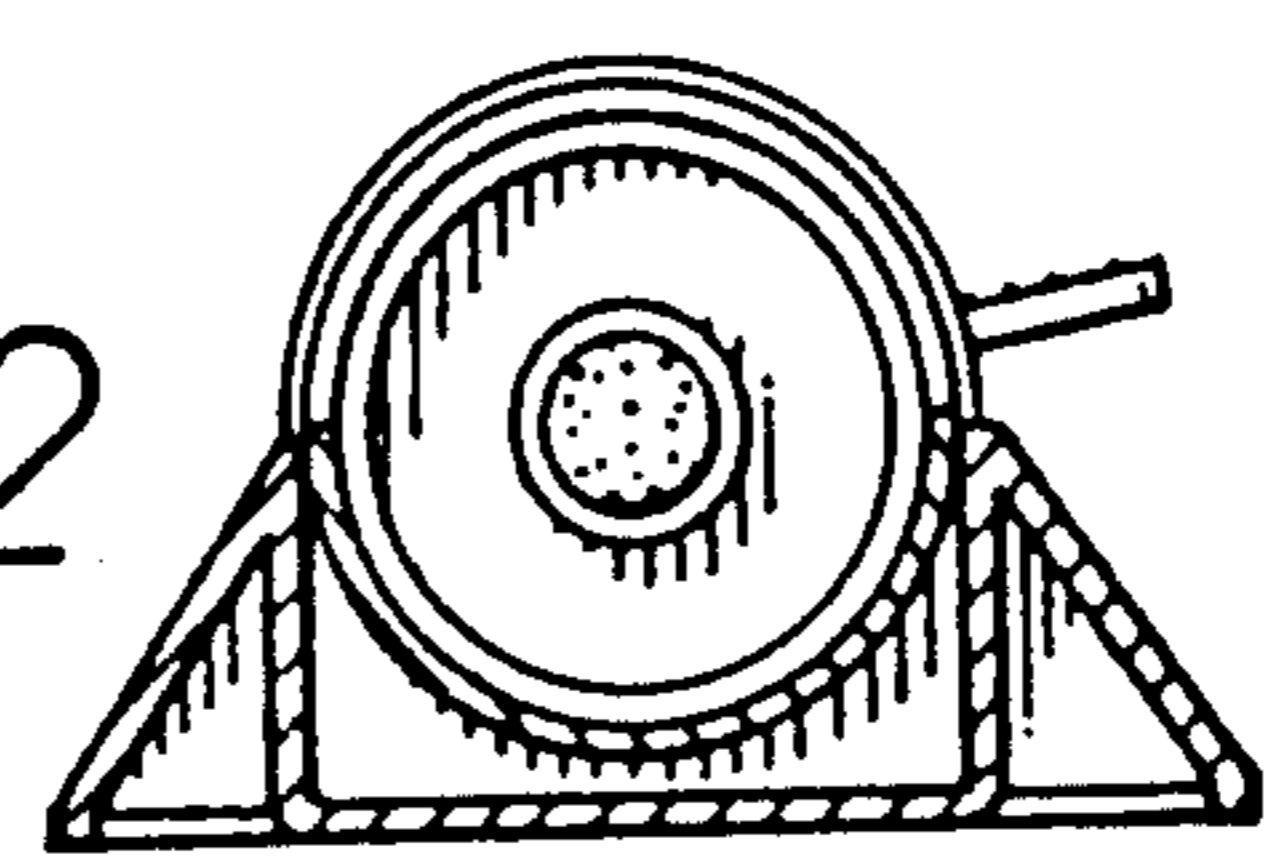


FIG. 3

