

[54] FROZEN LOCK HEATER

[76] Inventor: Cyrus Haghkar, 610 Middleton Pl.,  
Norristown, Pa. 19403-2936

[\*\*] Term: 14 Years

[21] Appl. No.: 525,643

[22] Filed: May 21, 1990

[52] U.S. Cl. .... D23/332; D26/26

[58] Field of Search ..... D23/332, 326, 324;  
D26/26; 362/226; 70/431; 219/201, 202;  
D8/29.2

[56] References Cited

U.S. PATENT DOCUMENTS

D. 270,095 8/1983 Palmer ..... D26/26  
2,965,741 12/1960 Blazina ..... 219/201  
4,822,976 4/1989 Buranathanit ..... 392/379

FOREIGN PATENT DOCUMENTS

2810016 9/1979 Fed. Rep. of Germany ..... 219/201  
2179530 3/1987 United Kingdom ..... 219/202

Primary Examiner—James M. Gandy  
Assistant Examiner—Lisa Lichtenstein  
Attorney, Agent, or Firm—Terry M. Gernstein

[57] CLAIM

The ornamental design for a frozen lock heater, as shown.

DESCRIPTION

FIG. 1 is a perspective view of a frozen lock heater showing my new design.

FIG. 2 is a front end elevation view thereof.

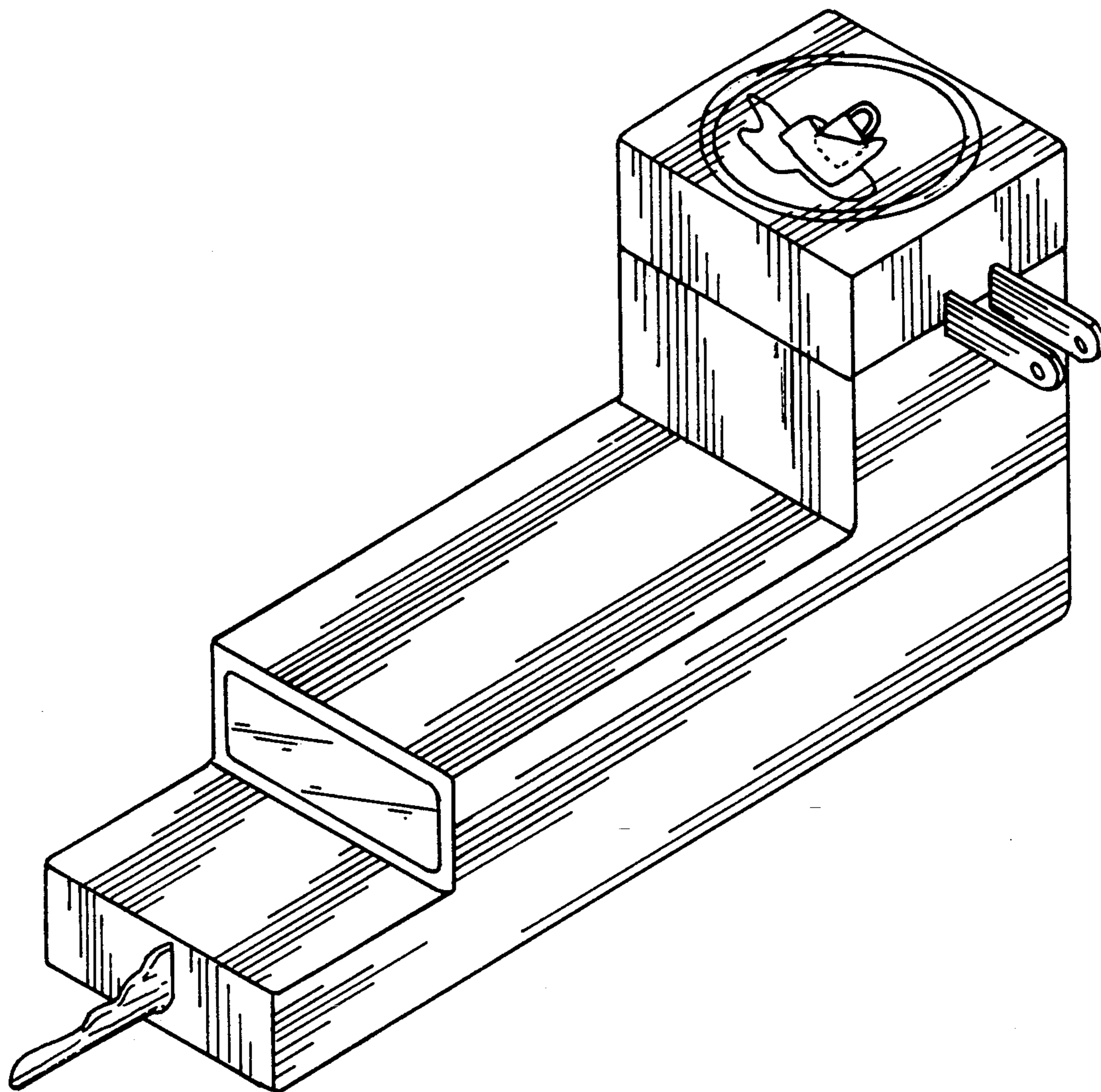
FIG. 3 is a rear end elevation view thereof.

FIG. 4 is a right side elevation view thereof.

FIG. 5 is a left side elevation view thereof.

FIG. 6 is a top plan view thereof.

FIG. 7 is a bottom plan view thereof.



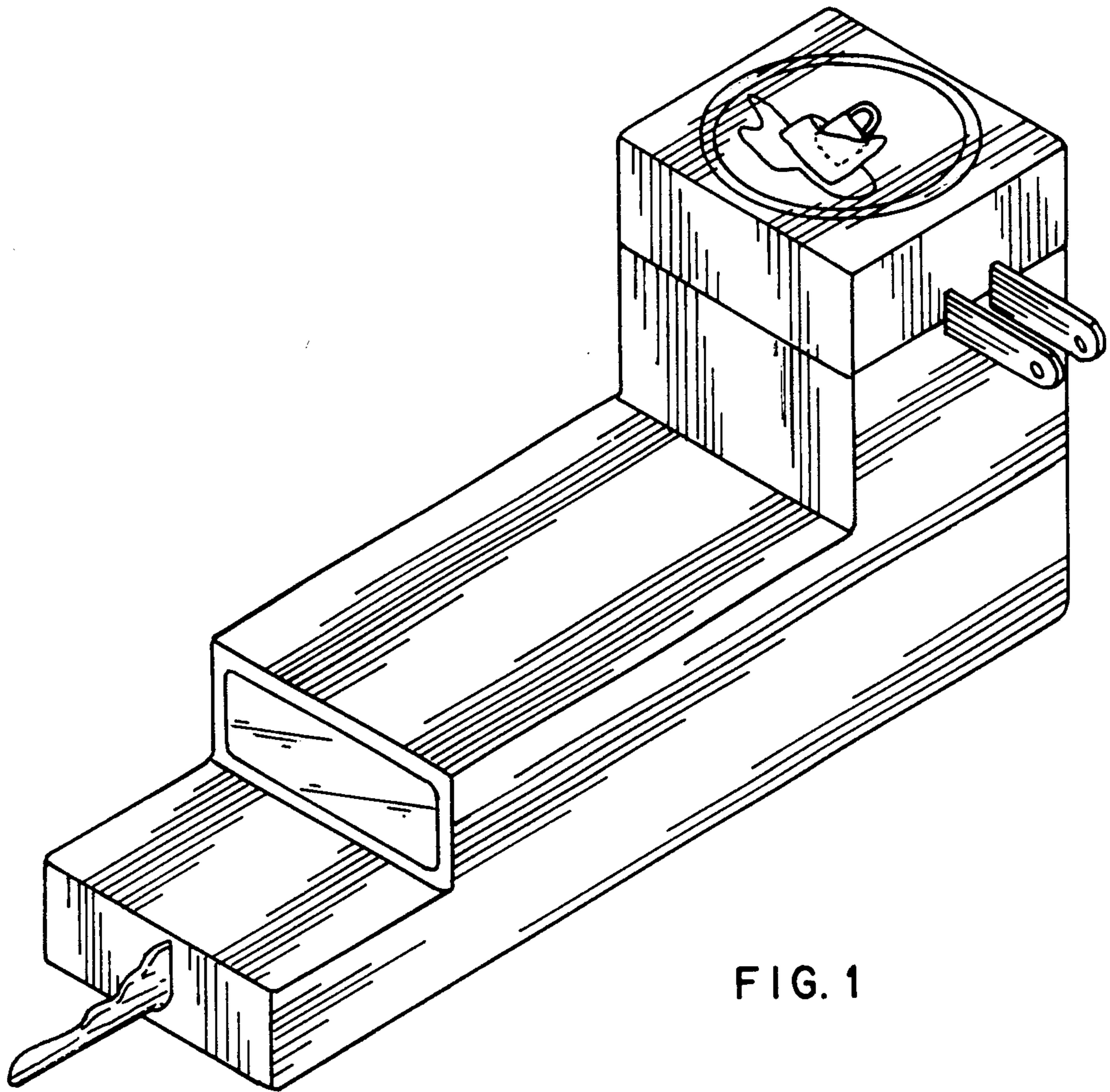


FIG. 1

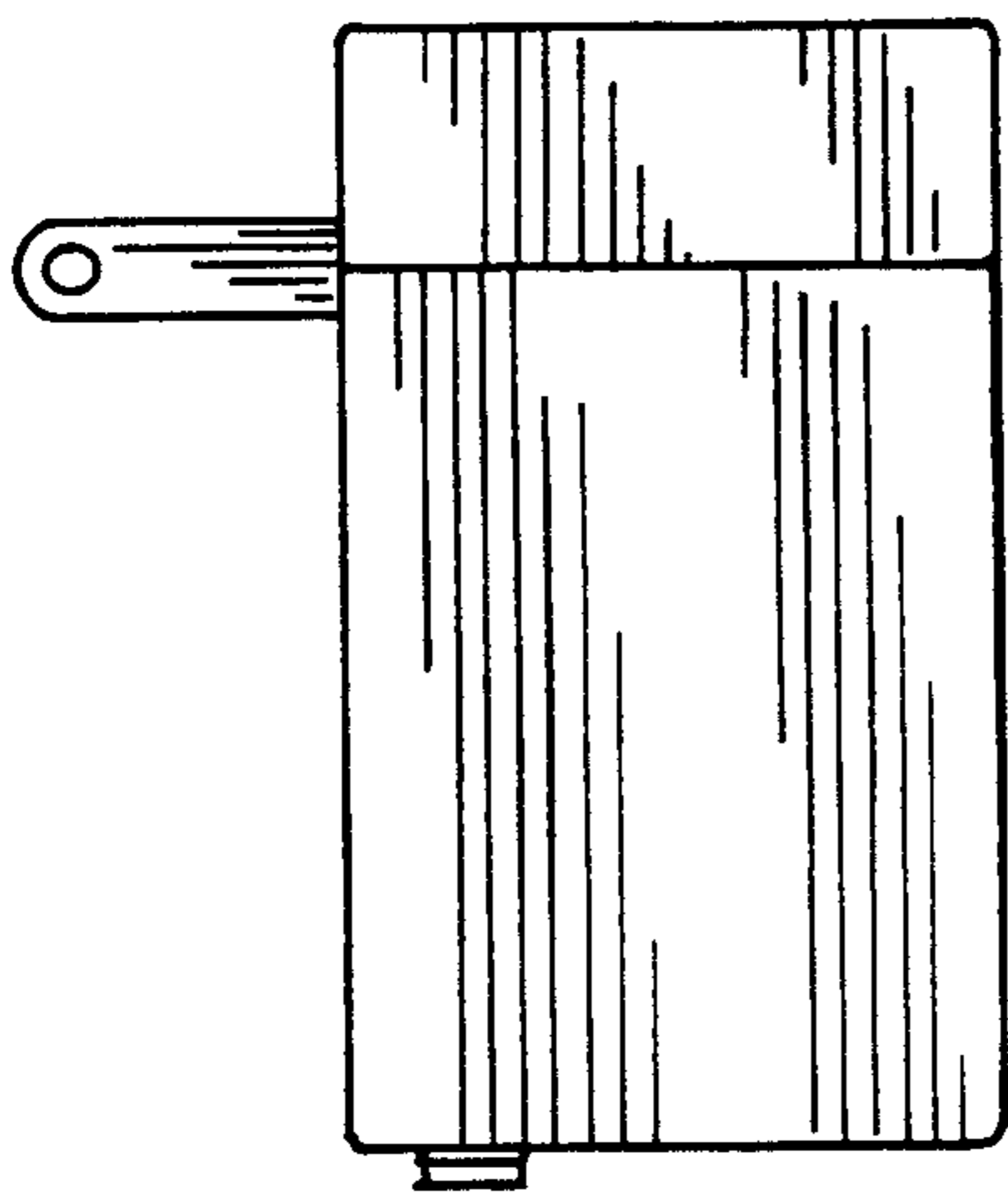


FIG. 3

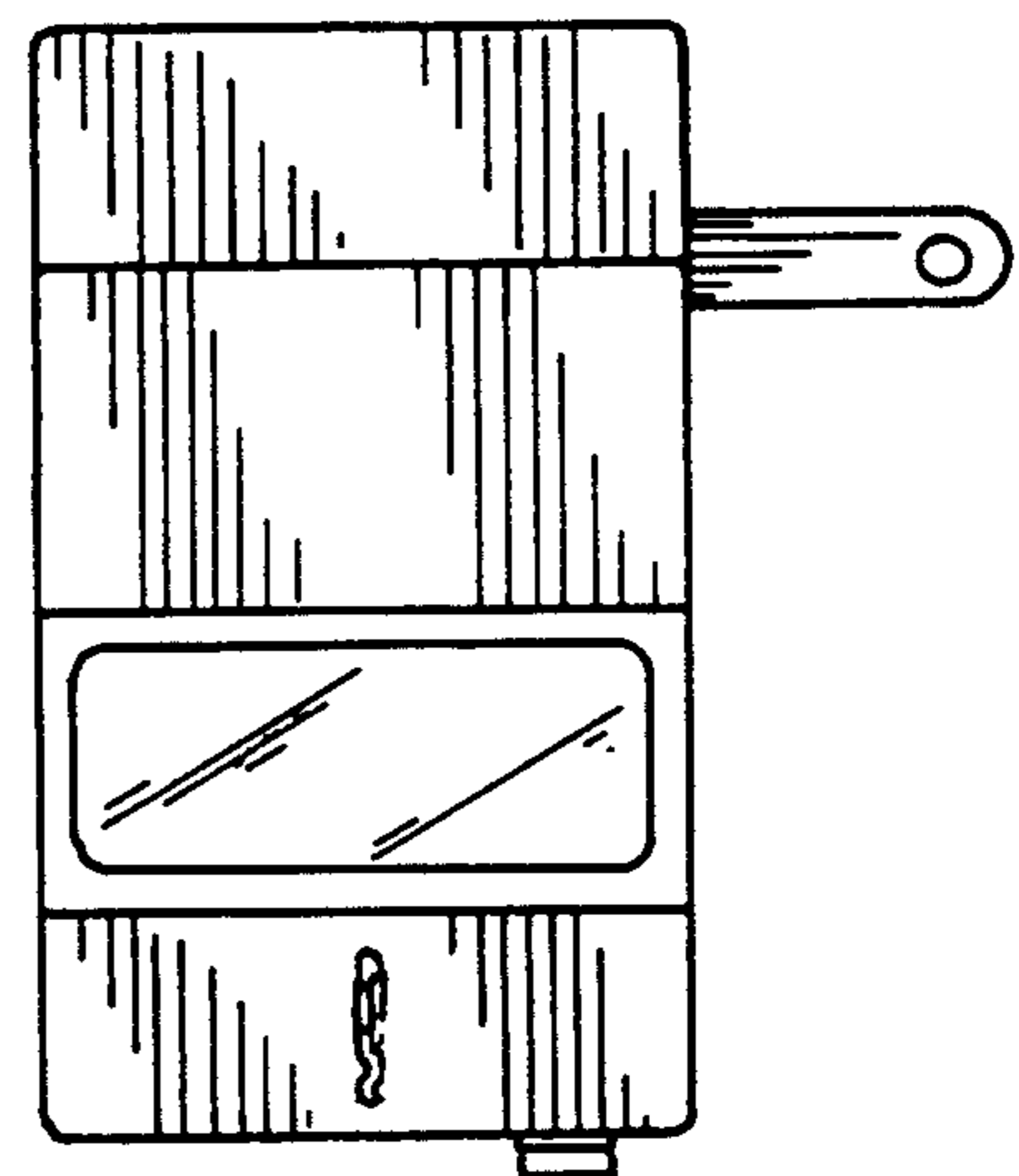


FIG. 2

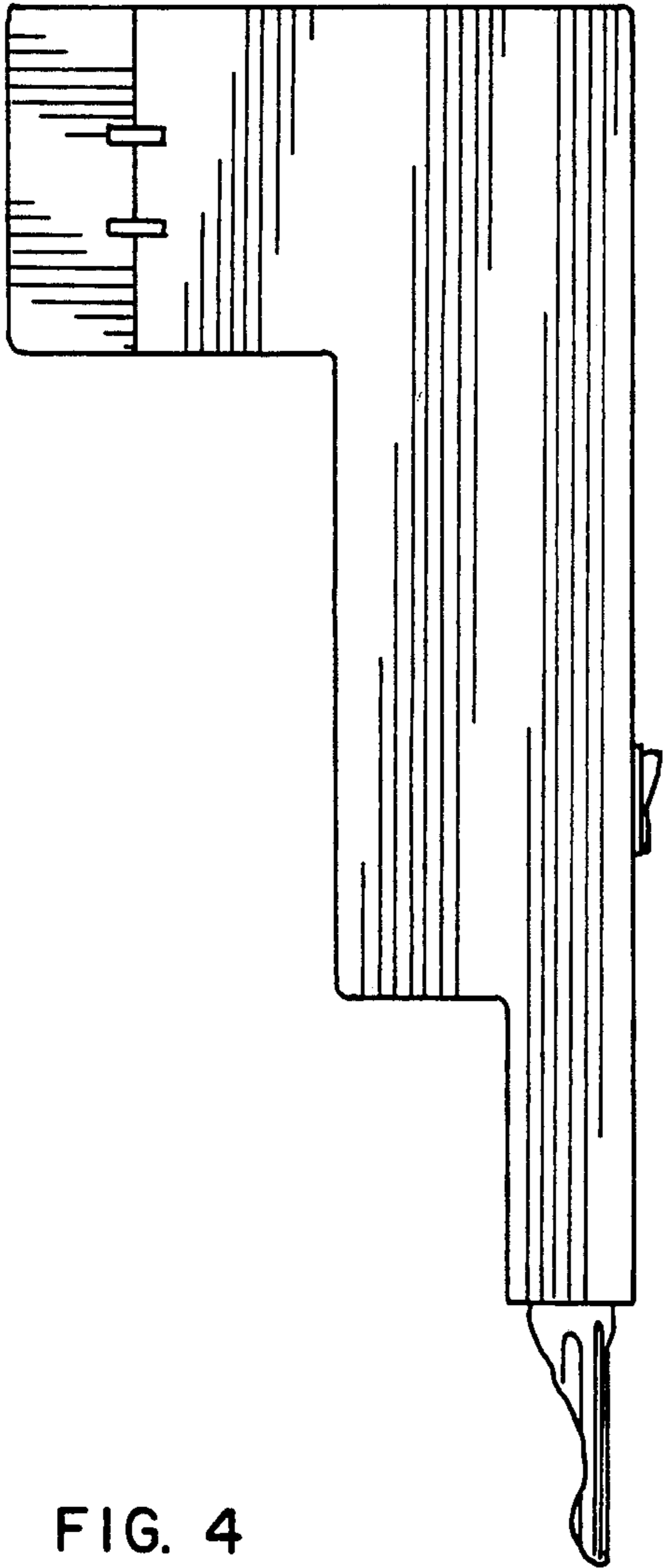


FIG. 4

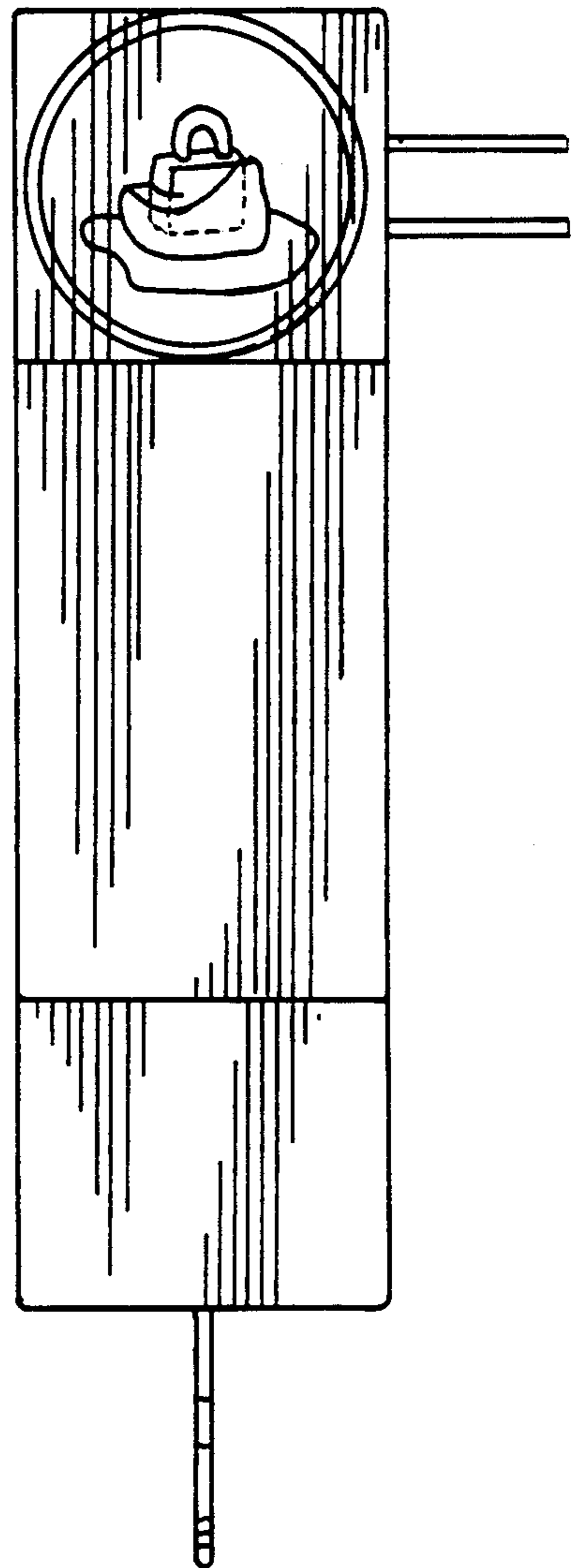


FIG. 6

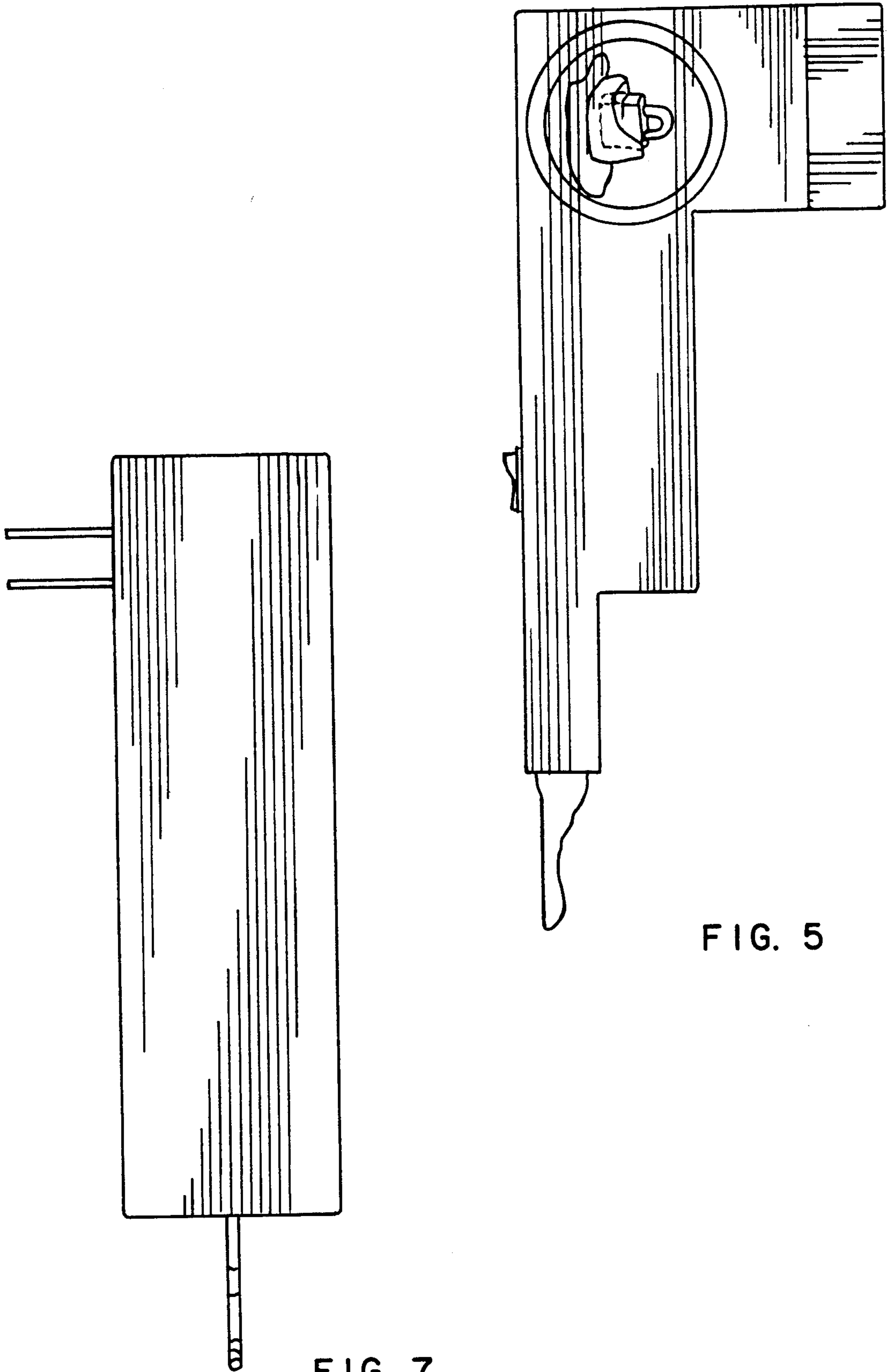


FIG. 5

FIG. 7