

[54] TOILET TRAINER FOR CHILDREN

[76] Inventor: Margaret G. Lambdin, 1117 Elbank Ave., Baltimore, Md. 21239

[**] Term: 14 Years

[21] Appl. No.: 463,953

[22] Filed: Jan. 10, 1990

[52] U.S. Cl. D23/297

[58] Field of Search D23/278, 296, 297, D23/298; D6/333, 345, 358; 4/254, 449, 476, 479, 480, 483

D. 276,361 11/1984 Hyman, Sr. D23/297

D. 310,118 8/1990 Lemon D23/297

2,602,166 7/1952 Aitken 4/483

2,930,612 3/1960 Goodrich 4/483 X

4,373,715 2/1983 Henn 4/476 X

Primary Examiner—James R. Largent
 Attorney, Agent, or Firm—Walter G. Finch

[57] CLAIM

The ornamental design of a toilet trainer for children, as shown and described.

DESCRIPTION

FIG. 1 is a perspective view taken from the top, front and left side of a toilet trainer for children showing my new design;

FIG. 2 is a left side elevational view thereof;

FIG. 3 is a right side elevational view thereof;

FIG. 4 is a front elevational view thereof;

FIG. 5 is a rear elevational view thereof;

FIG. 6 is a top plan view thereof; and

FIG. 7 is a bottom plan view thereof.

[56] References Cited

U.S. PATENT DOCUMENTS

D. 193,337 8/1962 Lebidine D6/358

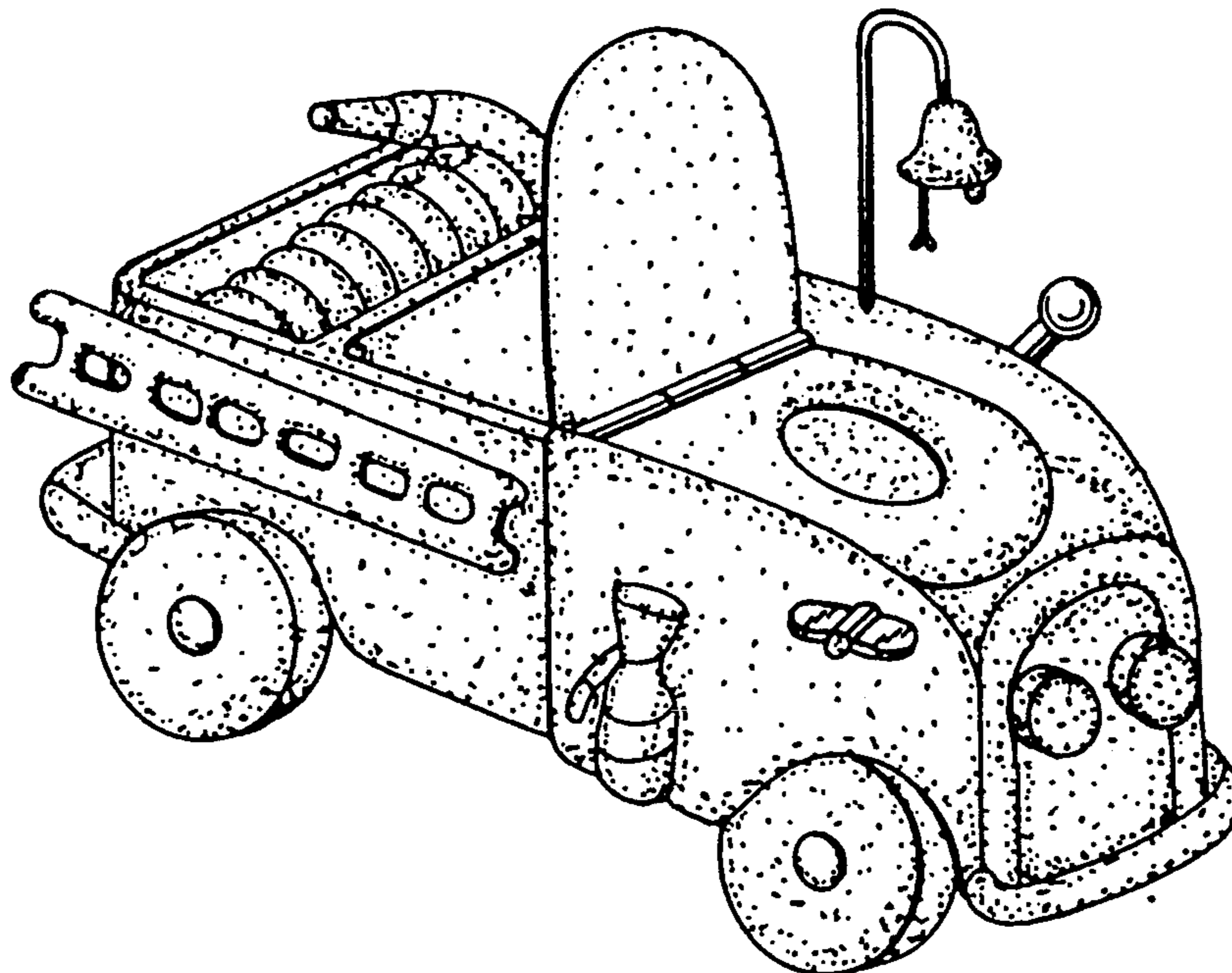
D. 210,581 3/1968 Cantrell D23/297

D. 227,422 6/1973 McClellan D6/333

D. 240,843 8/1976 Zick D6/358

D. 241,251 8/1976 Willis D23/297

D. 242,456 11/1976 Willis D23/297



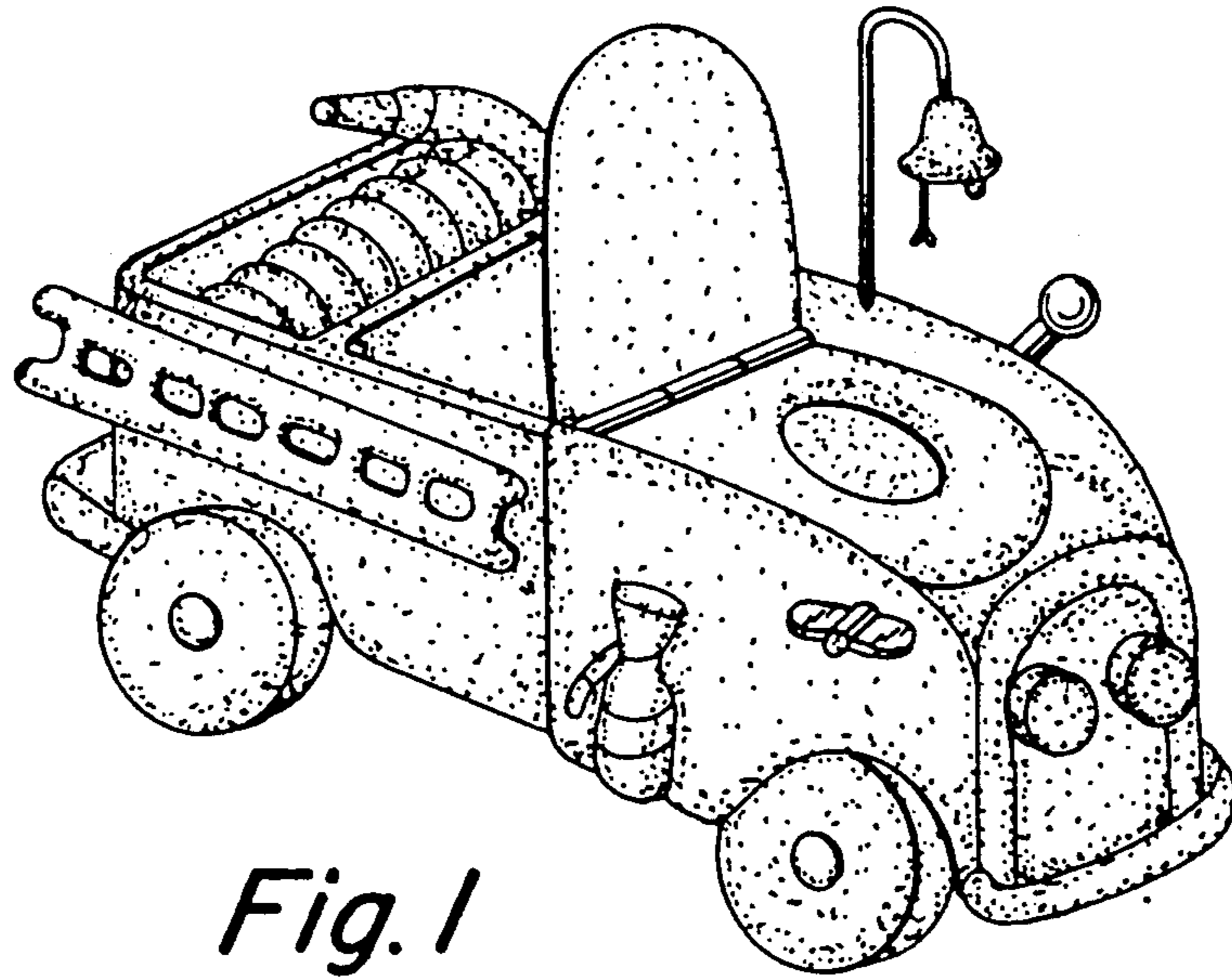


Fig. 1

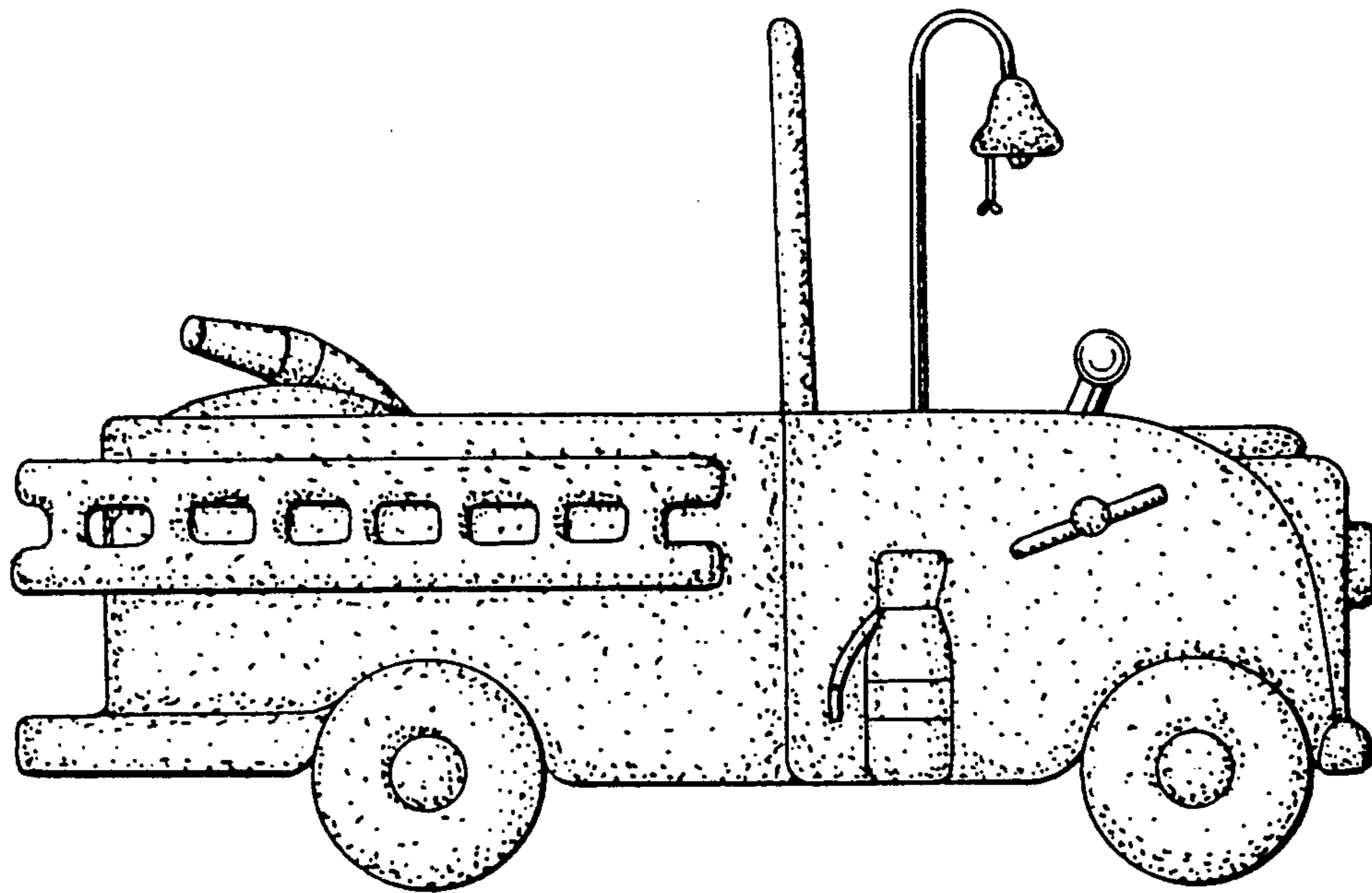


Fig. 2

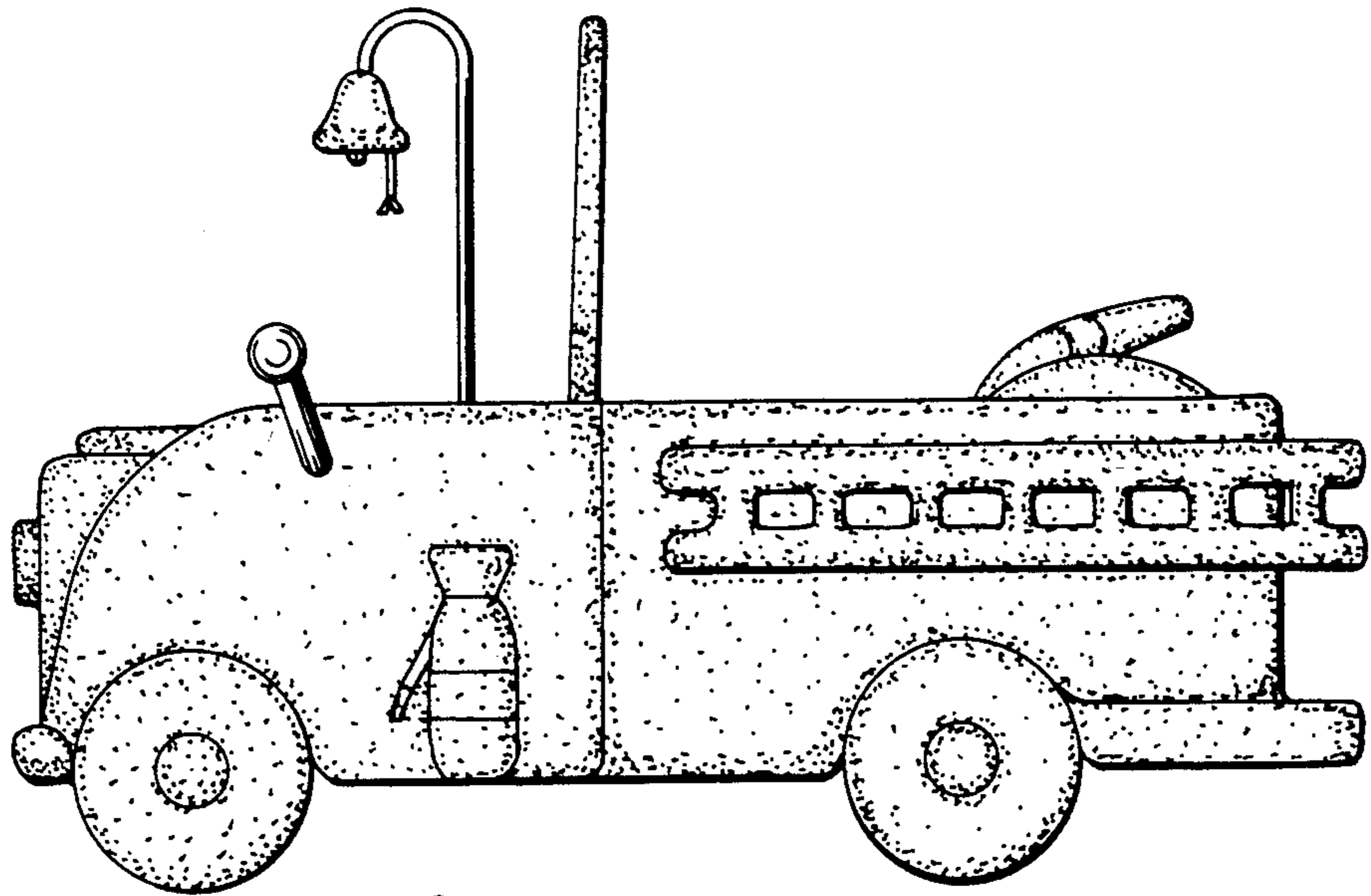


Fig. 3

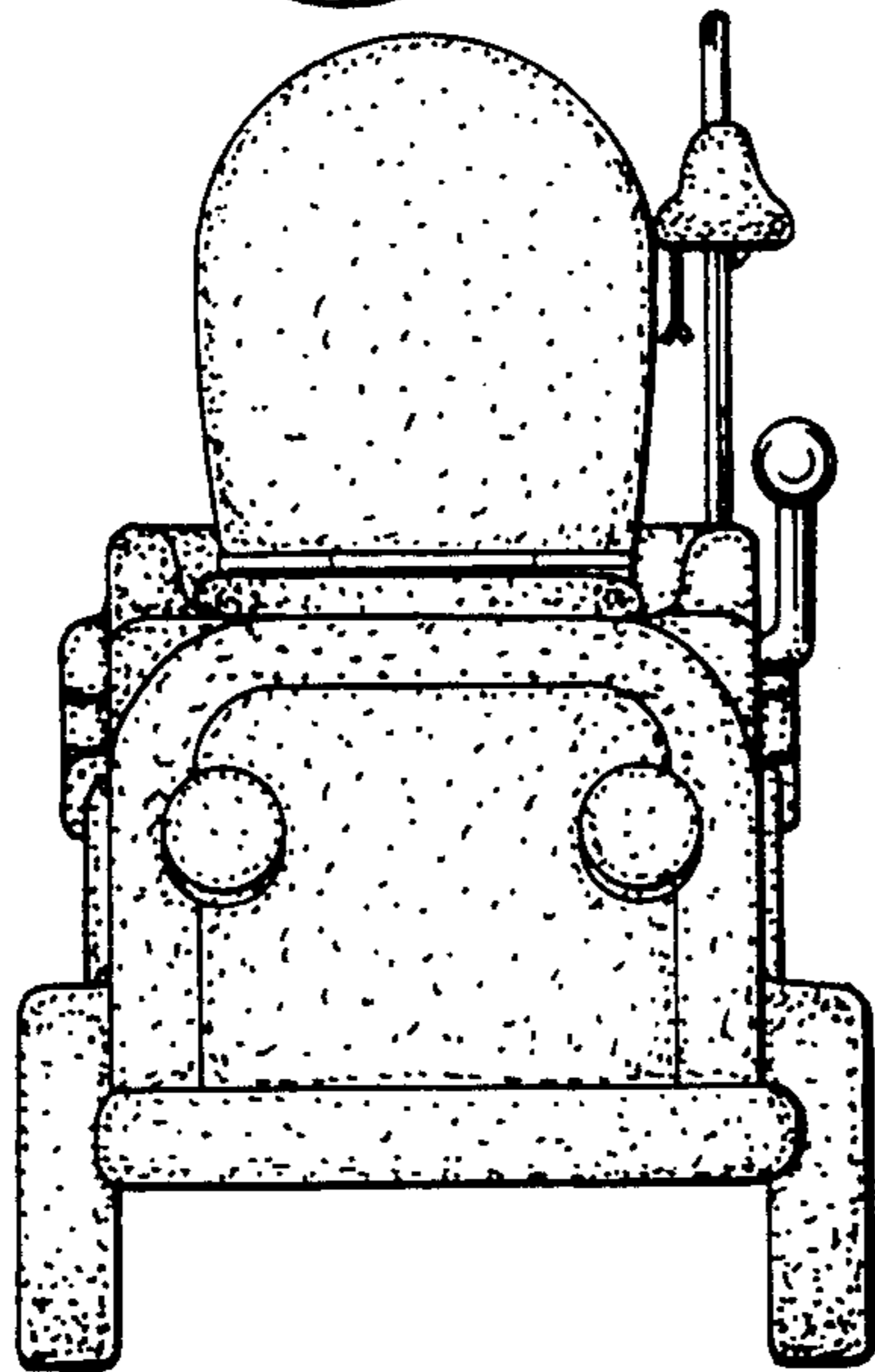


Fig. 4

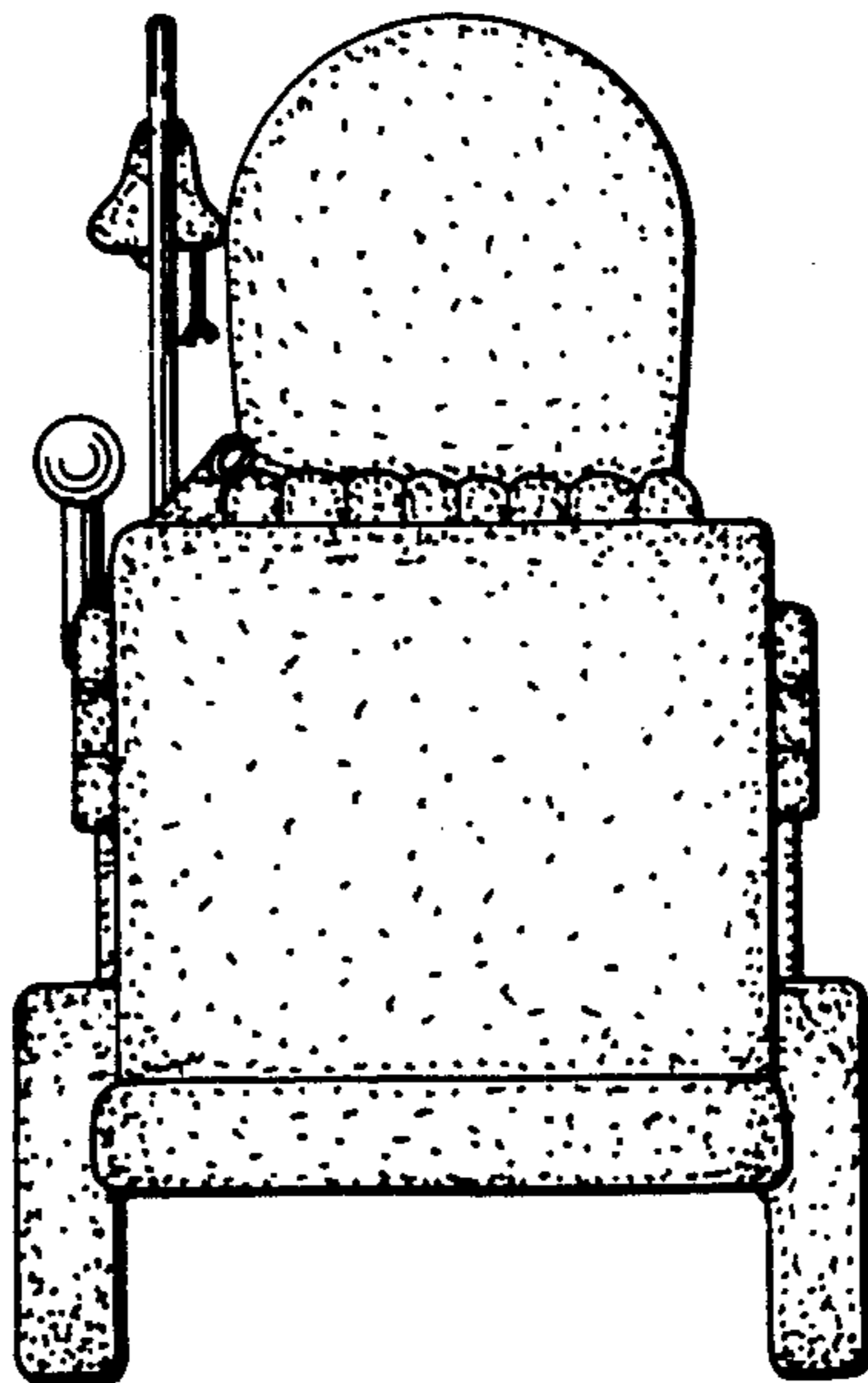


Fig. 5

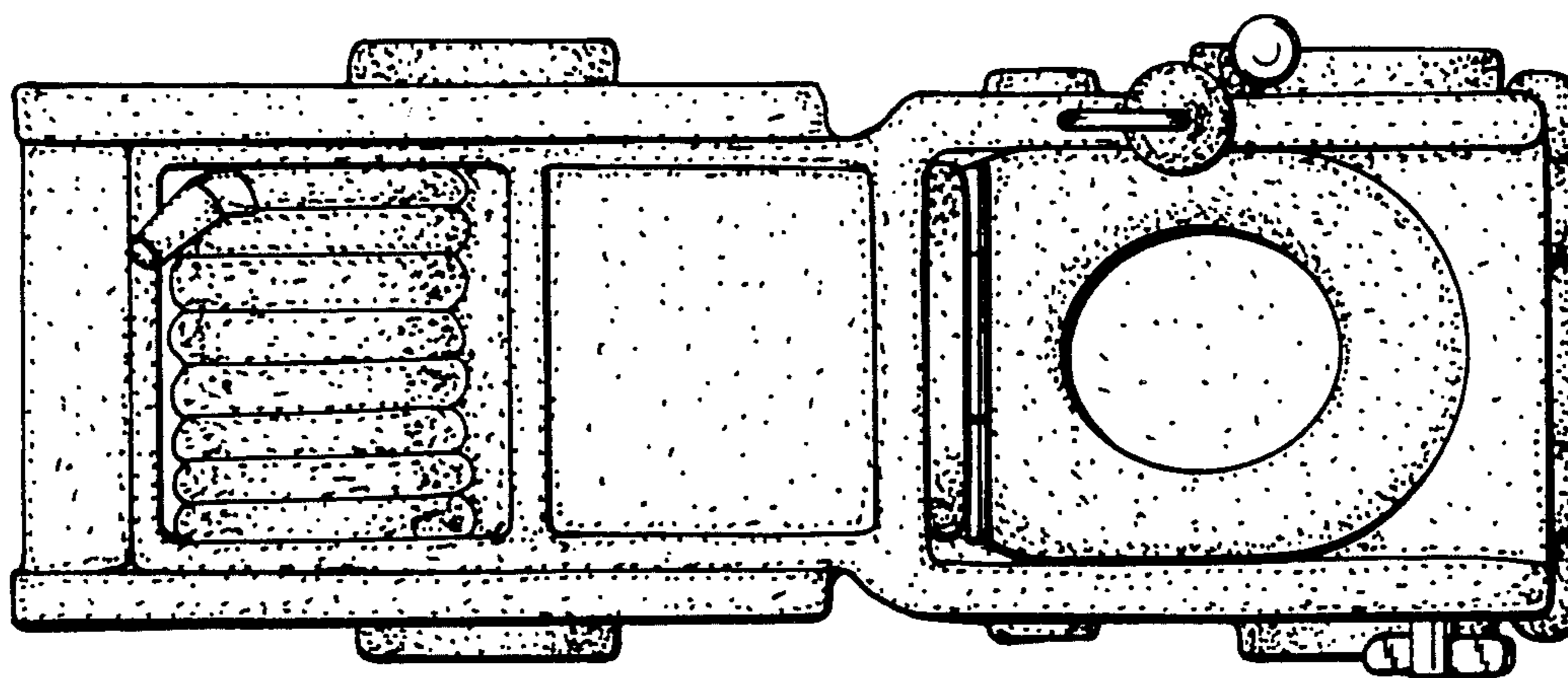


Fig. 6

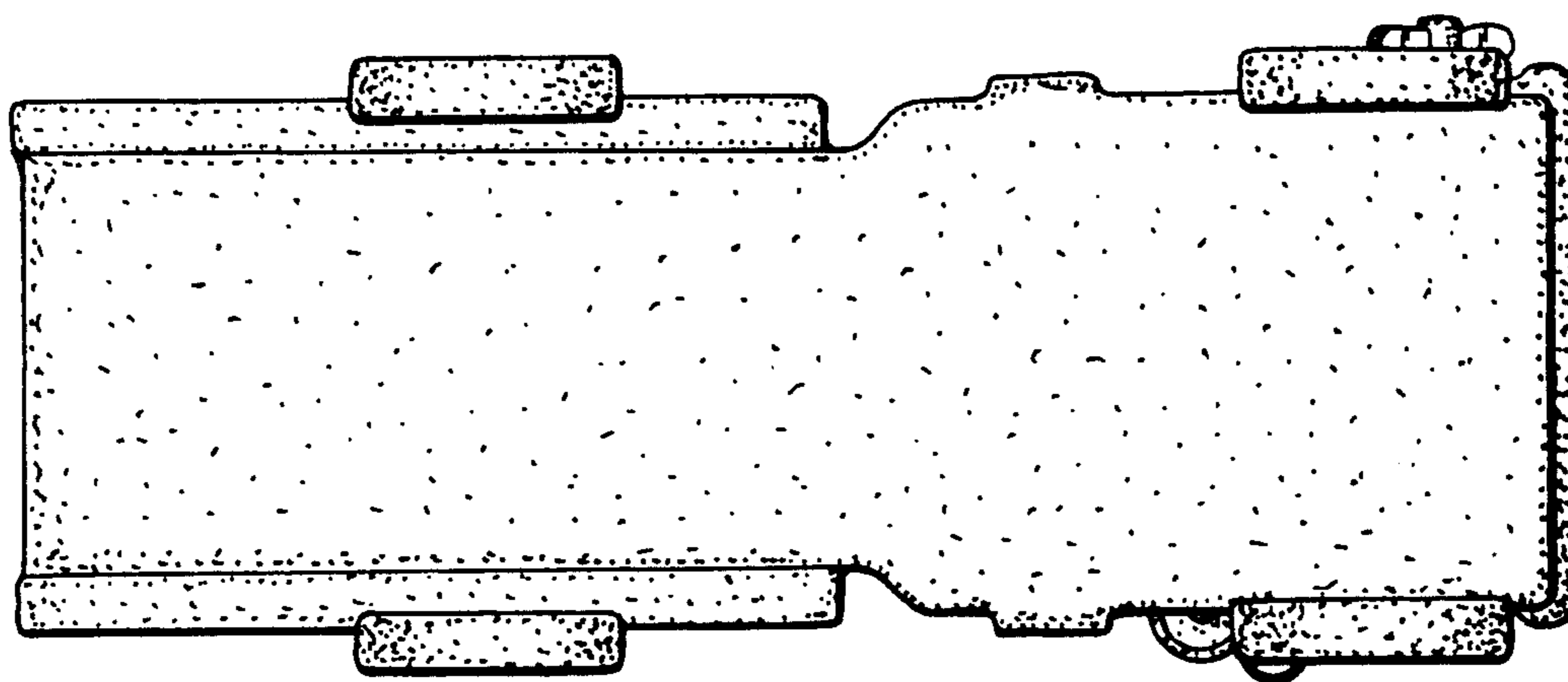


Fig. 7