

[54] TUB OR THE LIKE

[75] Inventors: Mary J. Reid, Sheboygan; Mark W. Cors, Menomonie, both of Wis.

[73] Assignee: Jacob Delafon, Paris, France

[\*\*] Term: 14 Years

[21] Appl. No.: 432,275

[22] Filed: Nov. 6, 1989

[52] U.S. Cl. .... D23/277

[58] Field of Search ..... D23/270-283,  
D23/303-307; 4/513, 538-544, 546, 555, 557,  
571-579, 584, 589, 590

[56] References Cited

U.S. PATENT DOCUMENTS

- D. 219,215 11/1970 Korol .
- D. 267,813 2/1983 Lippert, Jr. .... D23/281
- D. 286,568 11/1986 Kingsley ..... D23/277 X
- D. 300,454 3/1989 Stairs, Jr. .... D23/277

OTHER PUBLICATIONS

A page from a Jacob Delafon Catalog Showing the "Altair" Tub, Undated, Admitted Prior Art.

Page 6-2 of a 1988 Kohler Co. K-400 Catalog Showing the "Mandalay" Tub, Undated, Admitted Prior Art. A Jacob Delafon Advertisement Entitled "Hand Rinse Basins" Showing the "Fleur" Sink, Undated, Admitted Prior Art.

Primary Examiner—Susan J. Lucas  
Attorney, Agent, or Firm—Quarles & Brady

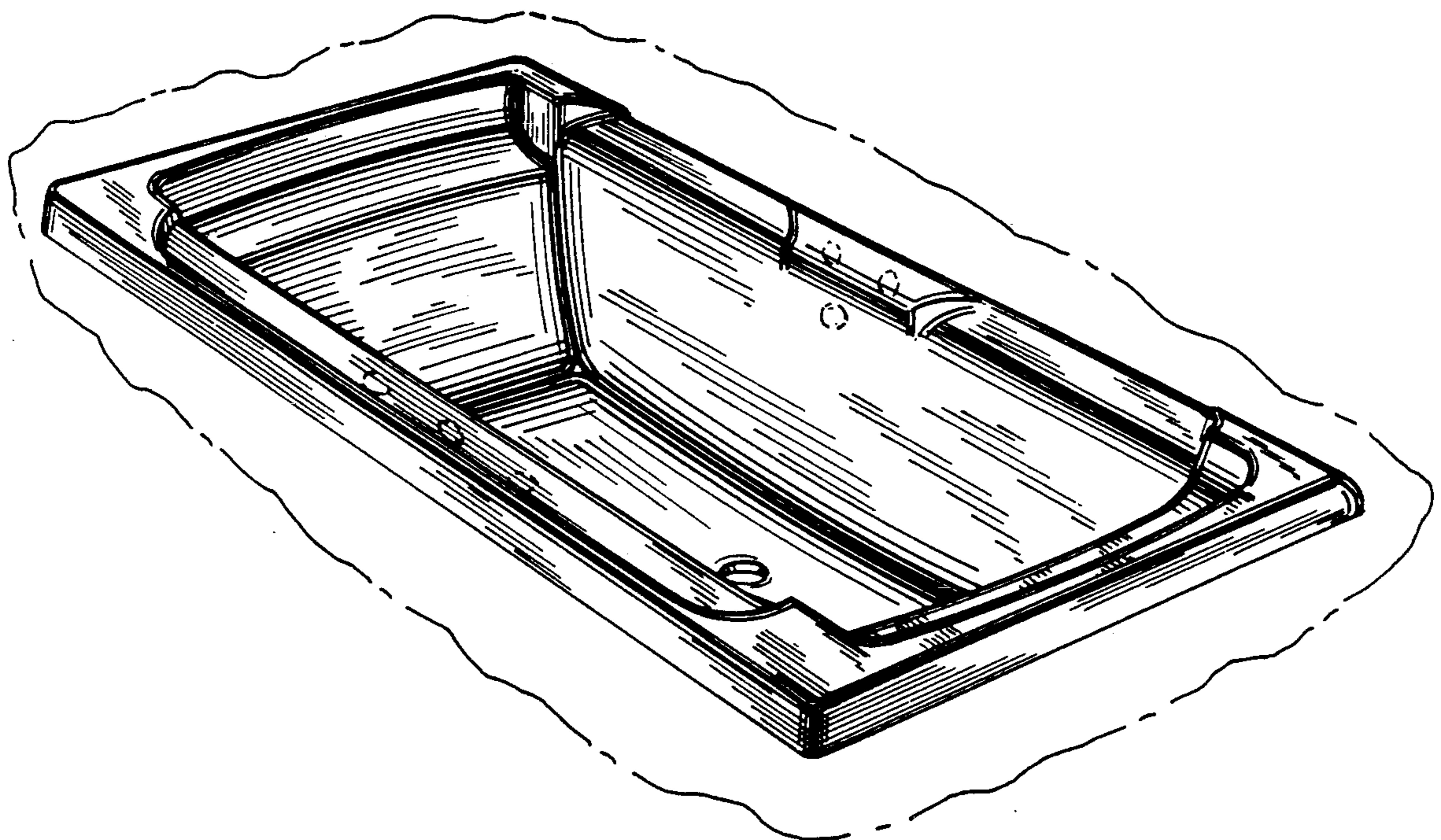
[57] CLAIM

The ornamental design for a tub or the like, as shown and described.

DESCRIPTION

FIG. 1 is a perspective view taken from the top, rear and left side of a tub or the like showing our new design; FIG. 2 is a top plan view thereof; FIG. 3 is a cross-sectional view taken on line 3—3 of FIG. 2; FIG. 4 is a cross-sectional view taken on line 4—4 of FIG. 2; FIG. 5 is a cross-sectional view taken on line 5—5 of FIG. 2; and FIG. 6 is a cross-sectional view taken on line 6—6 of FIG. 2.

The fragmentary broken line representations of the deck in FIG. 1 and of holes in FIGS. 1-3 are for the purpose of illustration only.



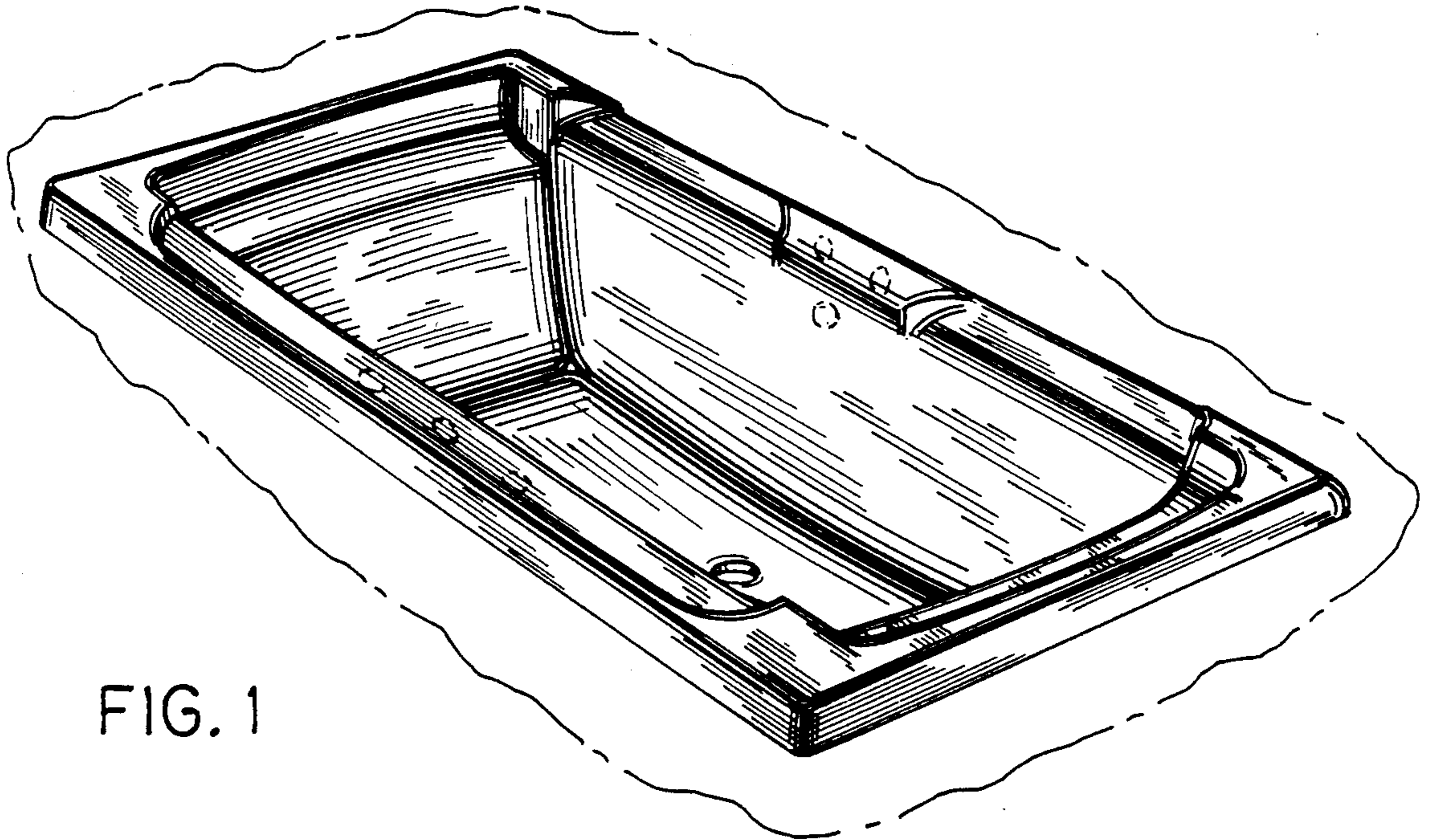


FIG. 1

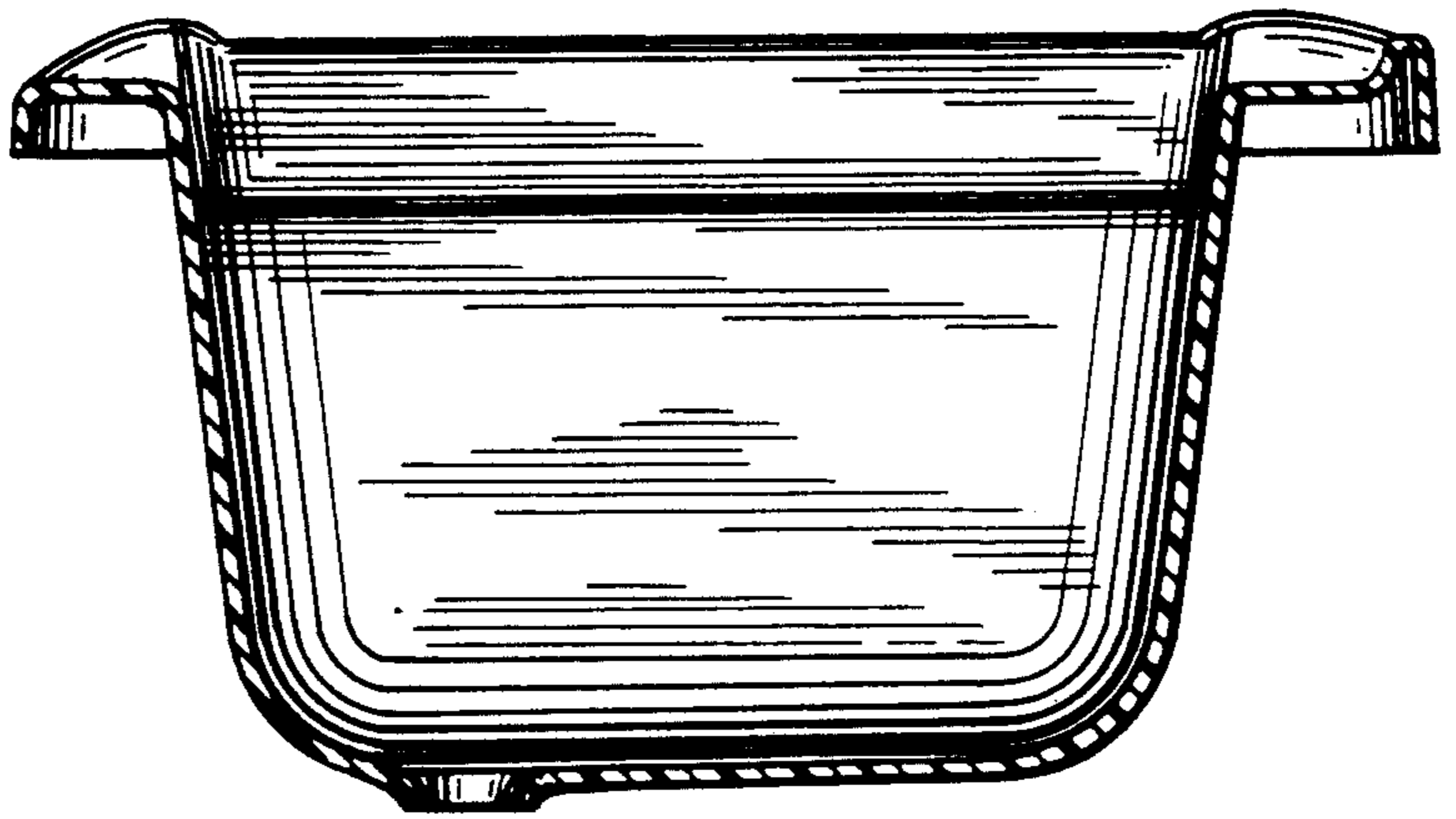


FIG. 5

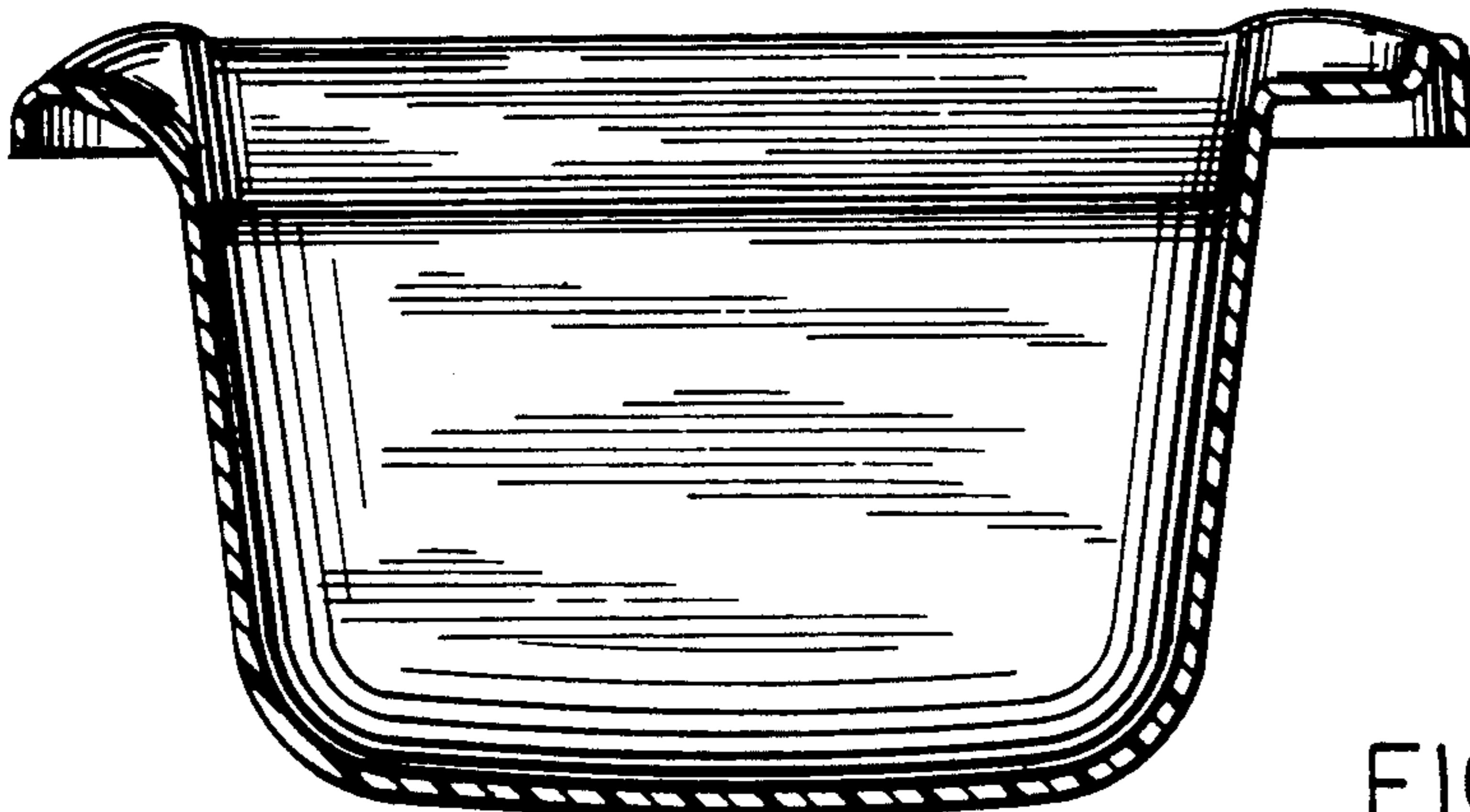


FIG. 6

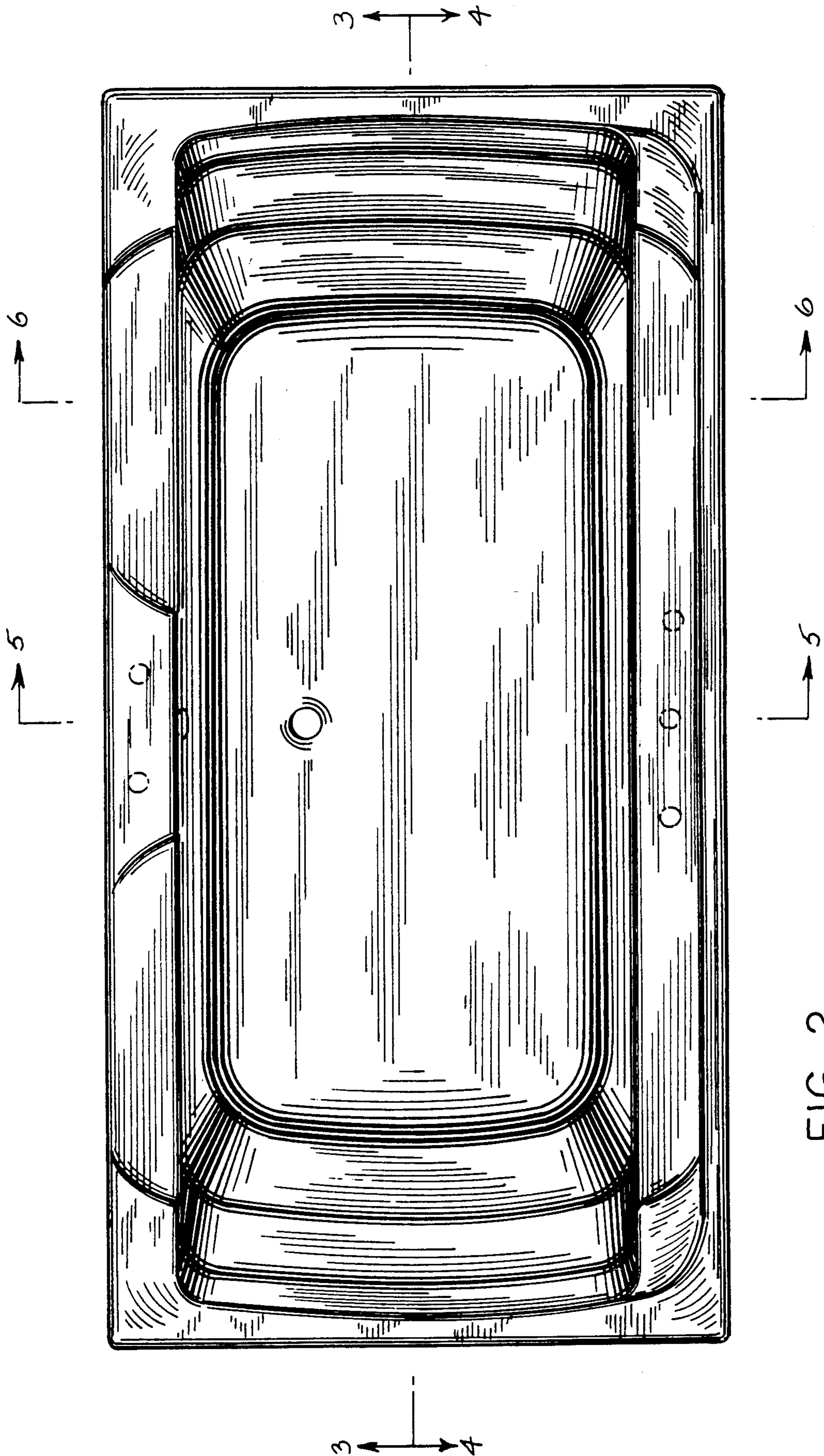


FIG. 2

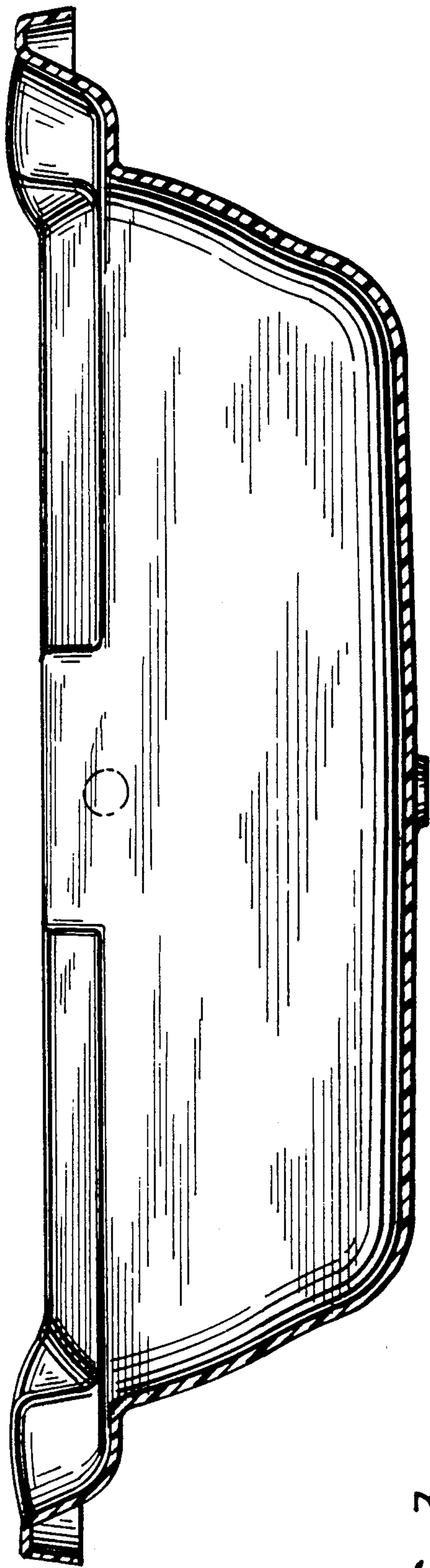


FIG. 3



FIG. 4