

[54] **FAUCET**

[76] **Inventor: Jean-Claude Delepine, 23, rue Clapeyron, 75008 Paris, France**

[*] **Notice: The portion of the term of this patent subsequent to Sep. 10, 2004 has been disclaimed.**

[**] **Term: 14 Years**

[21] **Appl. No.: 257,771**

[22] **Filed: Oct. 14, 1988**

[30] **Foreign Application Priority Data**

Apr. 18, 1988 [XH] Hague 010778

[52] **U.S. Cl. D23/238**

[58] **Field of Search D23/238-243; 4/191-192; 137/216, 801**

[56] **References Cited**

U.S. PATENT DOCUMENTS

- D. 80,830 10/1936 Dobrick D23/32
- D. 101,443 5/1936 Dreyfuss .
- D. 217,966 7/1970 Korol D23/32
- D. 224,402 7/1972 Jenner D23/25
- D. 233,235 10/1974 Arbon D23/23
- D. 268,949 5/1983 Delepine D23/32
- D. 289,076 3/1987 Paul D23/238
- D. 289,916 5/1987 Delepine D23/32
- D. 291,115 7/1987 Delepine D23/32
- D. 291,234 8/1987 Bergmann et al. D23/238
- D. 291,235 8/1987 Bergmann et al. D23/238
- D. 291,590 8/1987 Bengtsson D23/238
- D. 301,163 5/1989 Oberdorfer D23/238

- D. 309,655 7/1990 Reinecke D23/238
- 1,383,886 7/1921 Webb 4/192
- 1,406,030 2/1922 Kelly .
- 1,408,375 2/1922 Manelis .
- 1,417,583 5/1922 Stratton 4/192
- 1,512,193 7/1922 Berven 4/591
- 2,679,652 5/1951 Eyring 4/181
- 2,993,213 2/1959 Carroll 4/591
- 4,231,123 11/1980 Cheng 4/651
- 4,334,328 6/1982 Delepine 4/191
- 4,513,458 4/1985 Delepine 4/192

FOREIGN PATENT DOCUMENTS

- 2219893 12/1972 Fed. Rep. of Germany 4/192
- 740490 1/1933 France 4/192
- 161778 5/1933 Switzerland 4/192
- 201451 8/1923 United Kingdom 4/591
- 576928 4/1946 United Kingdom 4/192

Primary Examiner—James R. Largen
Attorney, Agent, or Firm—Fisher, Christen & Sabol

[57] **CLAIM**

The ornamental design for a faucet, as shown and described.

DESCRIPTION

FIG. 1 is a perspective view taken, from the top, front and right side of a faucet showing my new design; FIG. 2 is a right side elevational view thereof, the left side being the same as the right side shown; FIG. 3 is a bottom plan view thereof; FIG. 4 is a top plan view thereof; FIG. 5 is a front elevational view thereof; and FIG. 6 is a rear elevational view thereof.

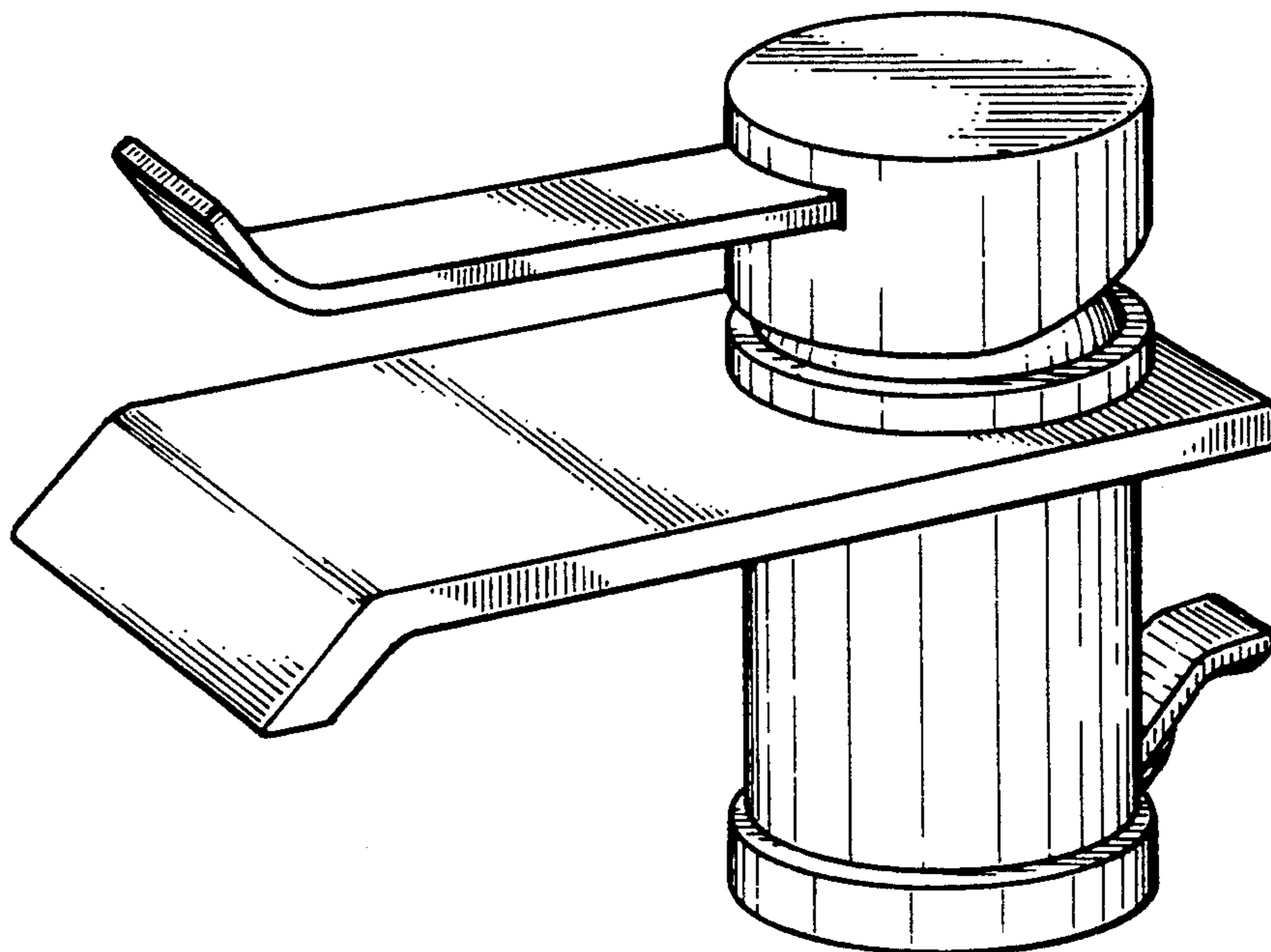


FIG. 1

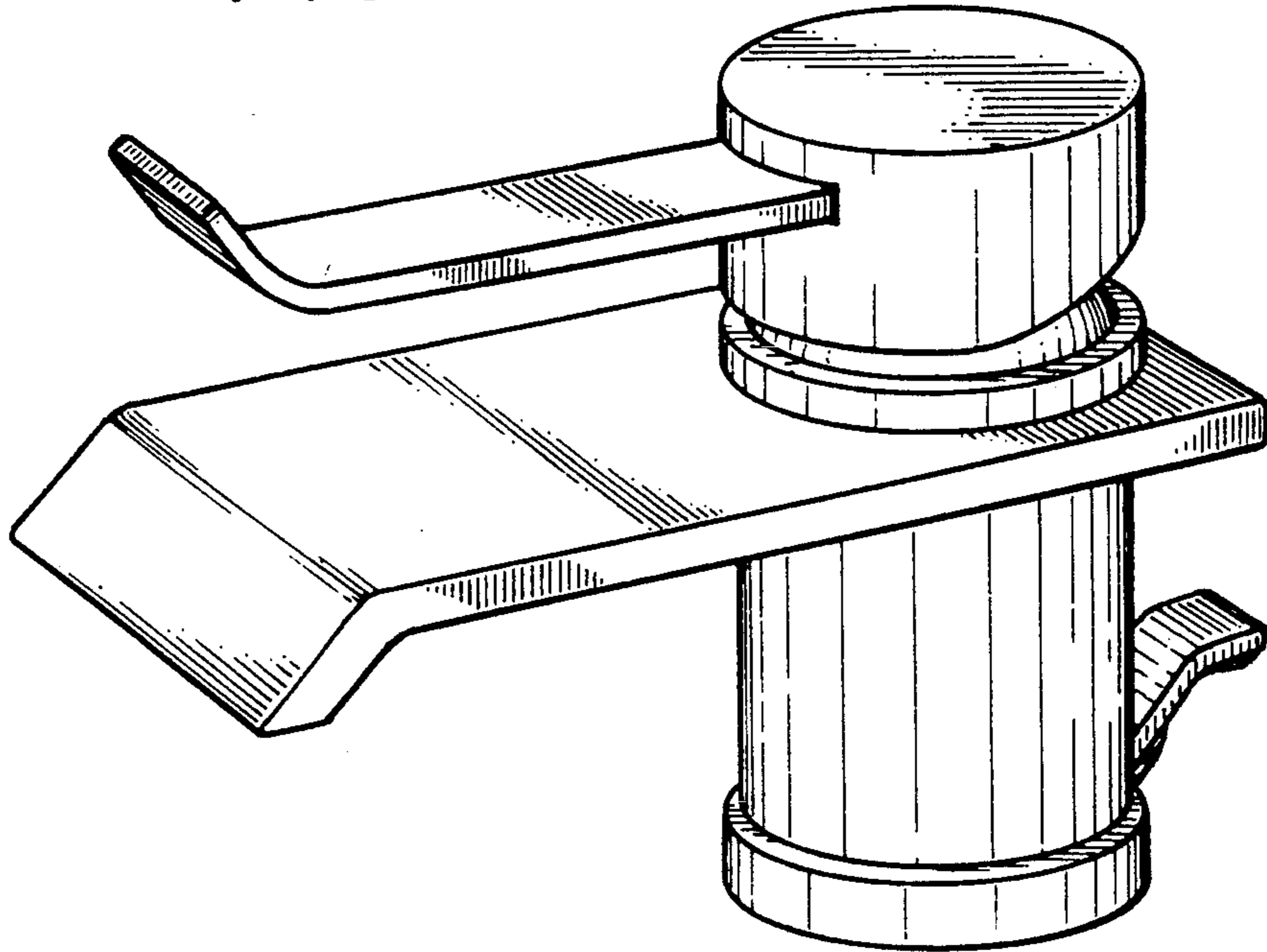


FIG. 2

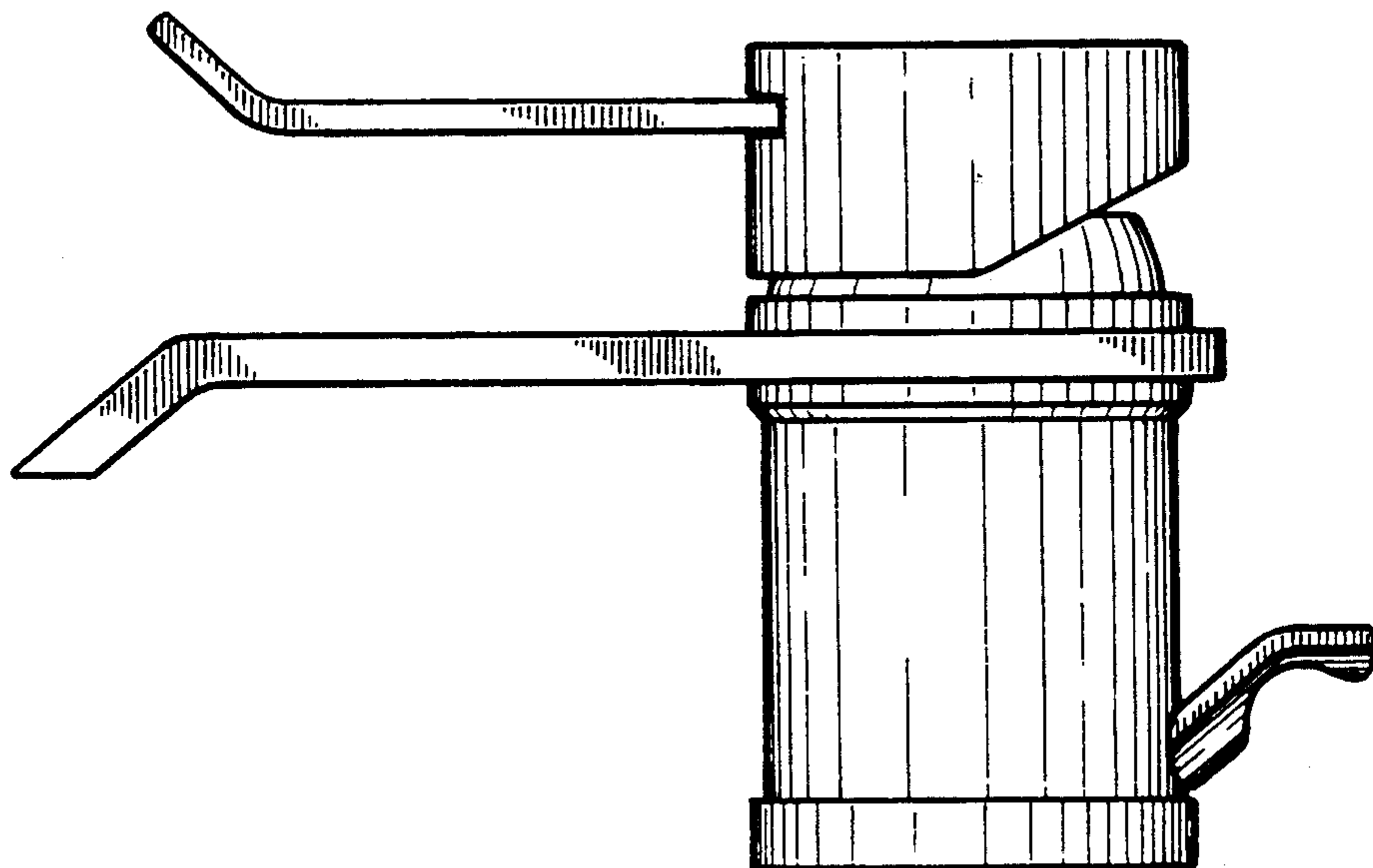


FIG. 3

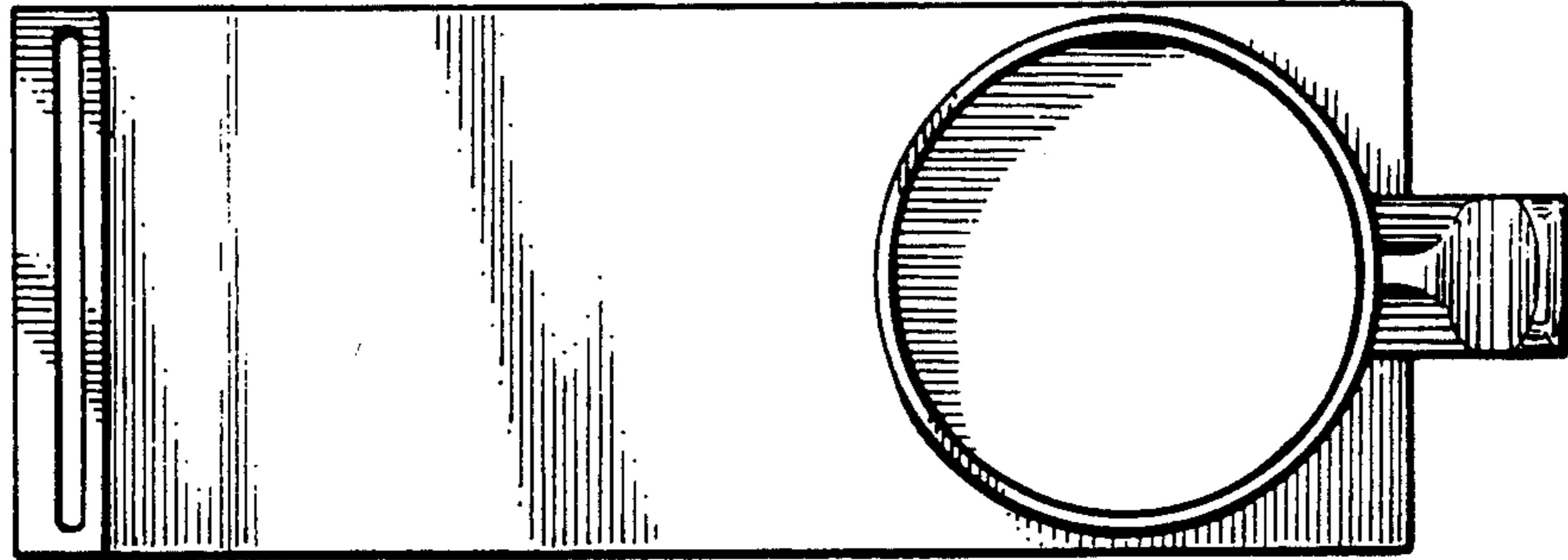


FIG. 4

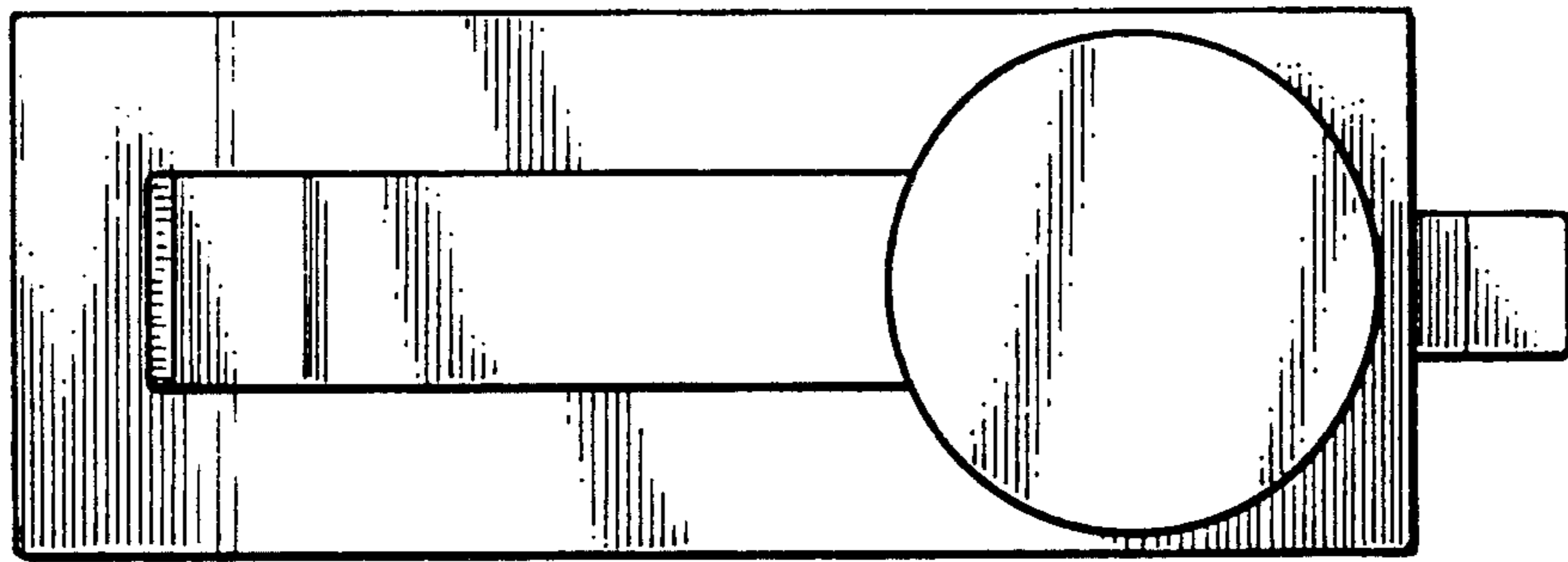


FIG. 5

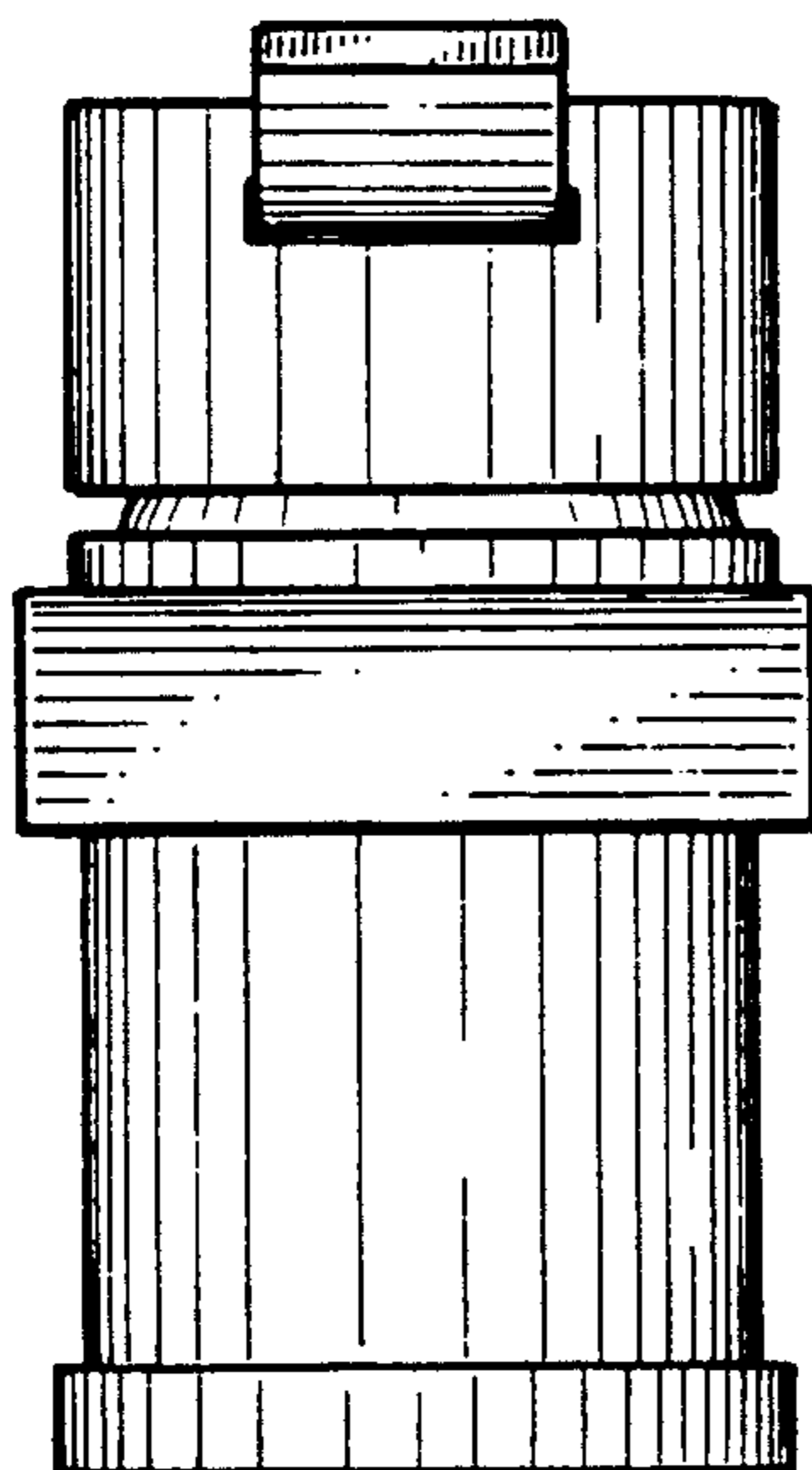


FIG. 6

