

# United States Patent [19]

Jacobs

[11] Patent Number: **Des. 321,036**

[45] Date of Patent: **\*\* Oct. 22, 1991**

[54] **FUEL DISPENSER HANDLE**

[75] Inventor: **Richard H. Jacobs, Roseville, Minn.**

[73] Assignee: **TRI Industries, Inc., Hopkins, Minn.**

[\*\*] Term: **14 Years**

[21] Appl. No.: **547,111**

[22] Filed: **Jul. 2, 1990**

[52] U.S. Cl. .... **D23/226**

[58] Field of Search ..... **D23/223-227;**  
222/23-28, 505, 566-567; 235/94 R, 94 A;  
141/197-202, 203-229; 137/234.6

[56] **References Cited**

**U.S. PATENT DOCUMENTS**

D. 263,618 3/1982 Taylor ..... D23/226  
2,758,768 8/1956 Payne ..... 141/225 X  
3,603,359 9/1971 Belue ..... 141/209 X

4,018,252 4/1977 Burtis et al. .... 141/226 X  
5,004,023 4/1991 Monticup, Jr. et al. .... 141/208

*Primary Examiner*—Susan J. Lucas

*Assistant Examiner*—M. H. Tung

*Attorney, Agent, or Firm*—Paul L. Sjoquist

[57] **CLAIM**

The ornamental design for a fuel dispenser handle, as shown and described.

**DESCRIPTION**

FIG. 1 is an isometric view of a fuel dispenser handle showing my new design;

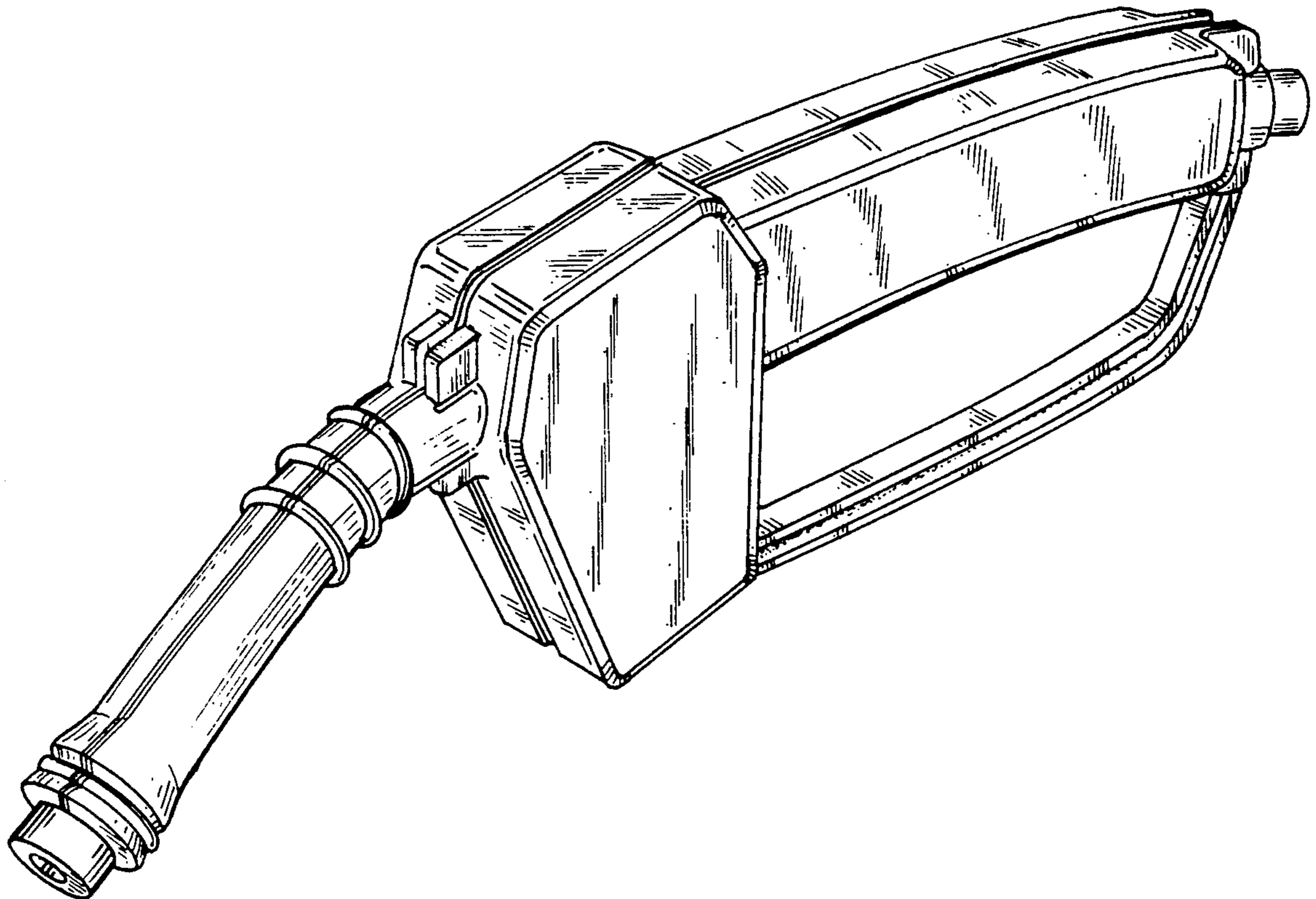
FIG. 2 is a right side elevational view thereof, the left side being a mirror image;

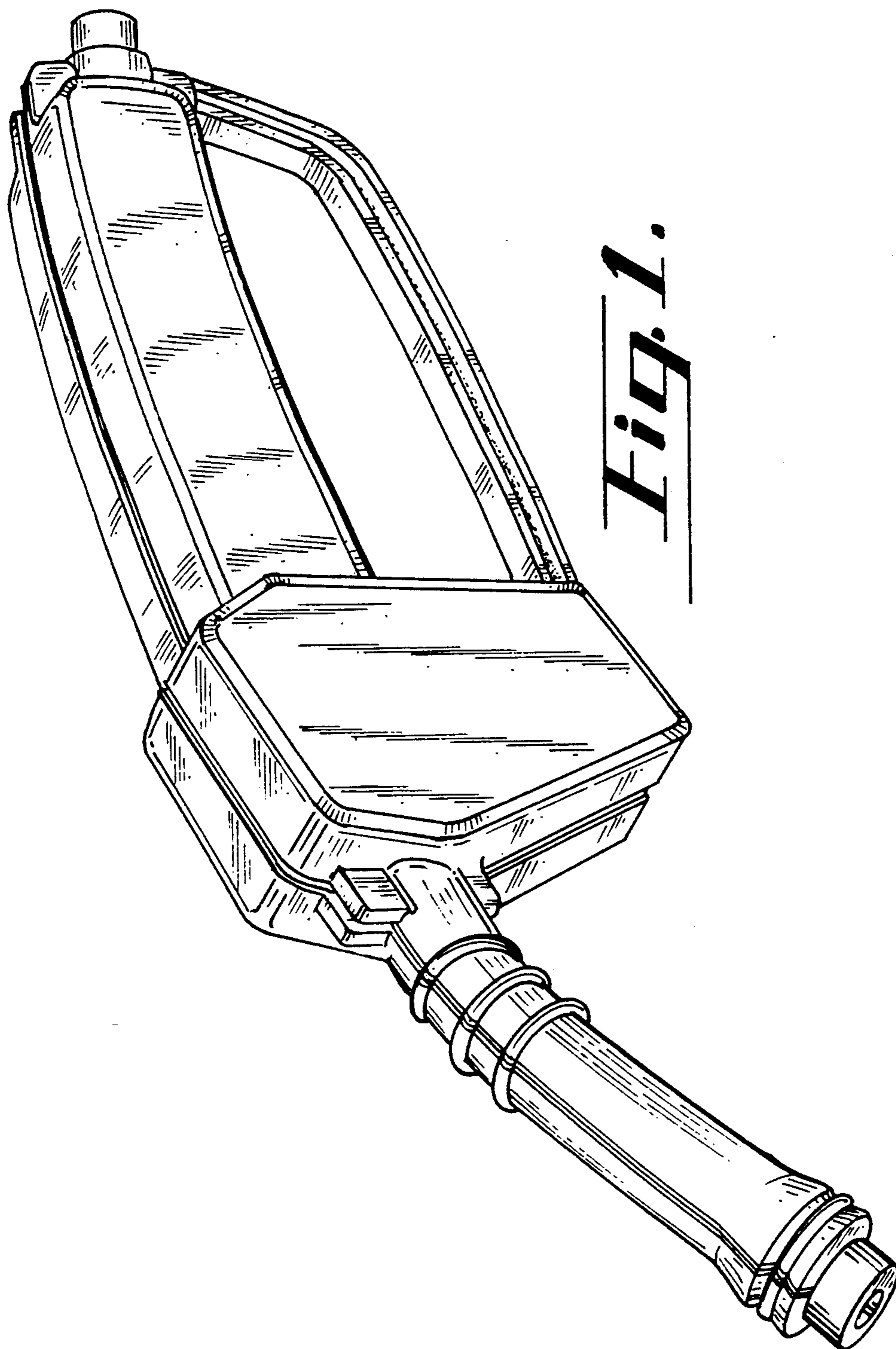
FIG. 3 is a bottom plan view thereof;

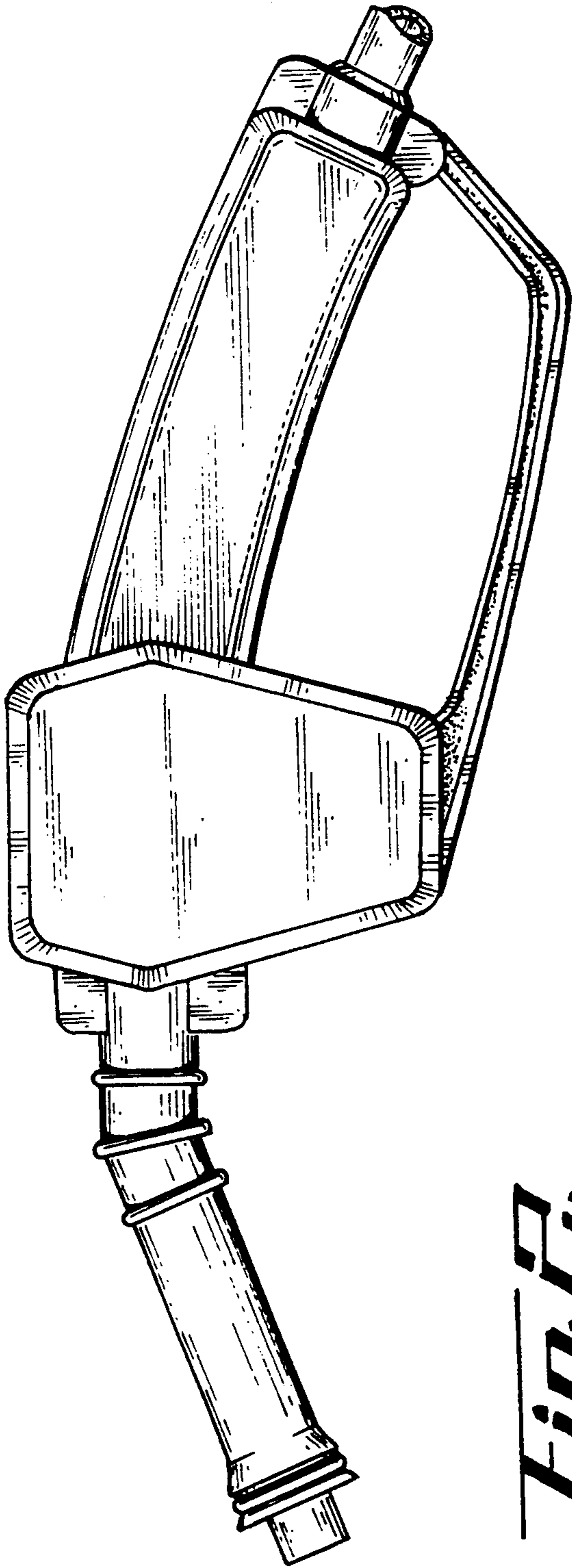
FIG. 4 is a top plan view thereof;

FIG. 5 is a front elevational view thereof;

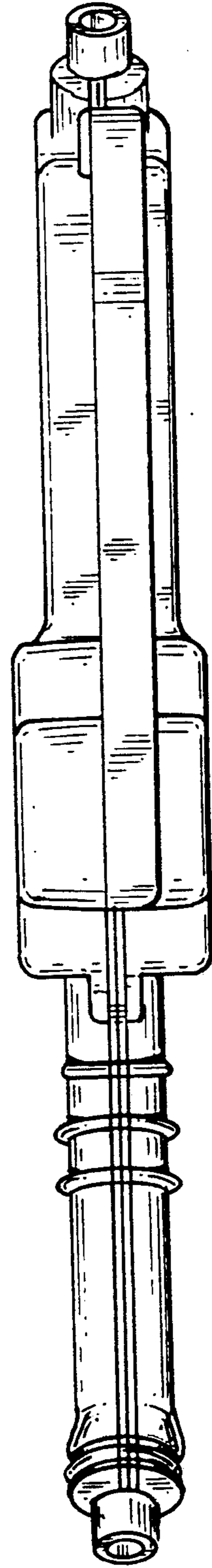
FIG. 6 is a rear elevational view thereof.



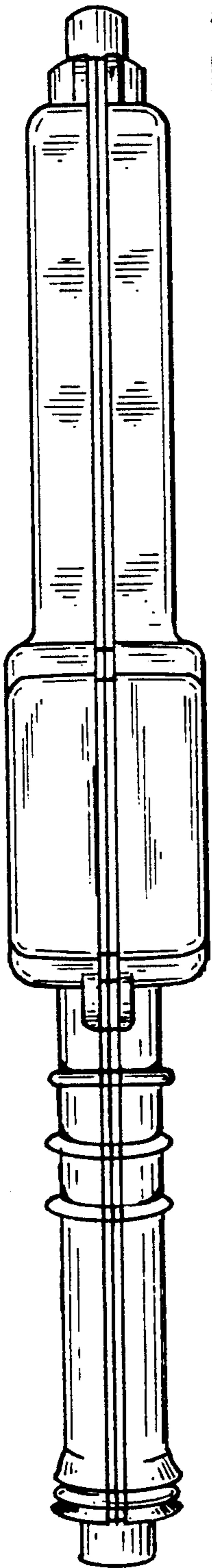




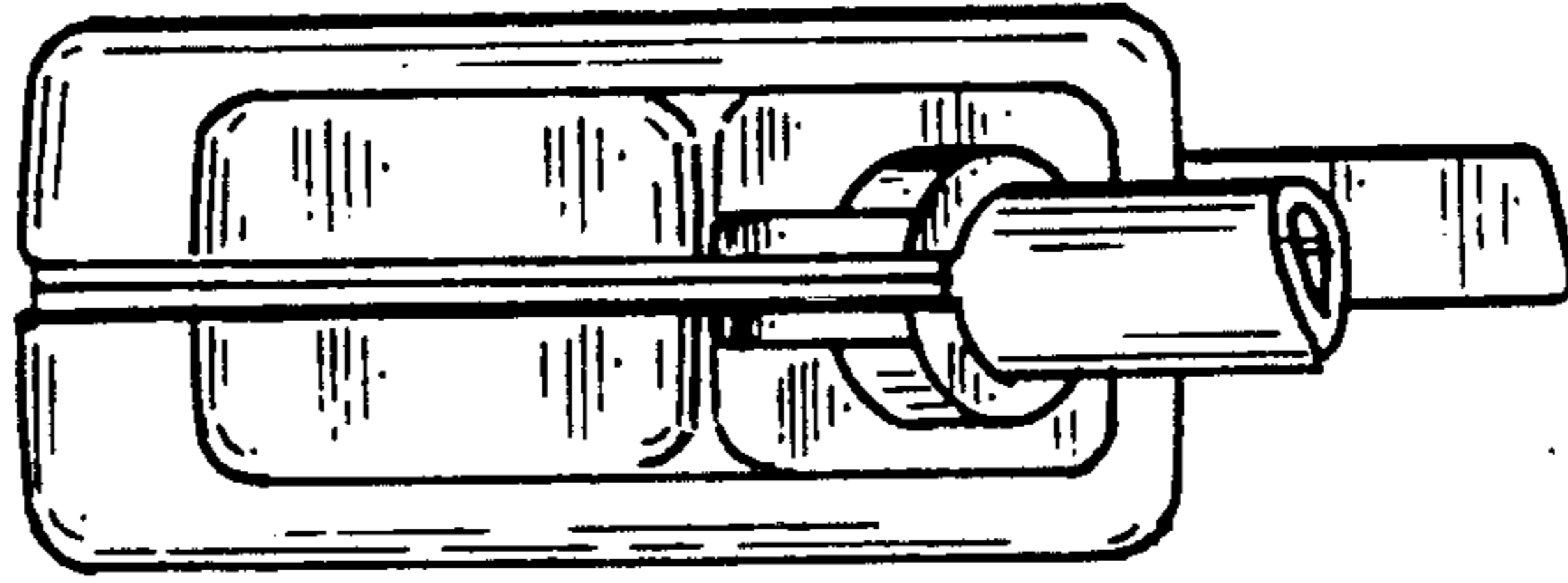
*Fig. 2.*



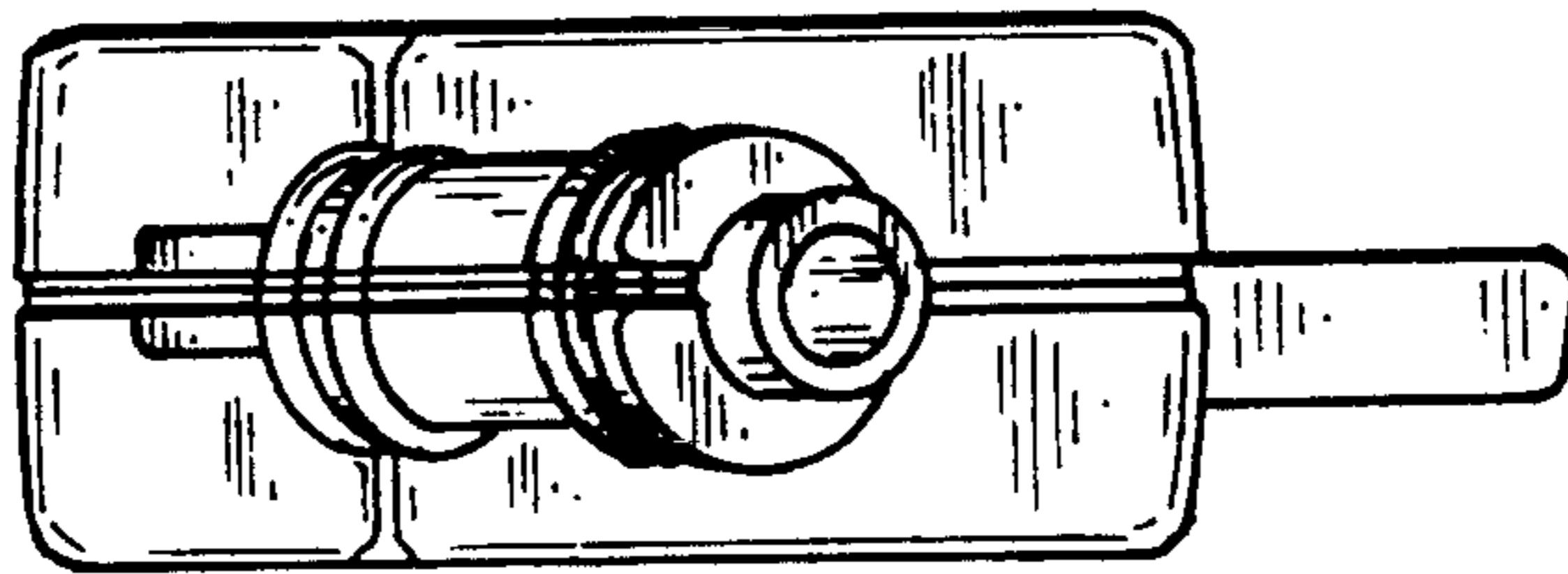
*Fig. 3.*



*Fig. 4.*



*Fig. 5.*



*Fig. 6.*