

[54] **OSCILLATING SPRINKLER**

[75] **Inventor: Stephen P. Whitehead, Elgin, Ill.**

[73] **Assignee: Suncast Corporation, Batavia, Ill.**

[**] **Term: 14 Years**

[21] **Appl. No.: 555,745**

[22] **Filed: Jul. 19, 1990**

[52] **U.S. Cl. D23/216**

[58] **Field of Search D23/200, 213-221;
239/200-206, 211, 222.11-223, 230-233, 273,
275-276, 288, 288.5, 390-394, 443-444, 456,
468, 505, 518-524, 556-558, DIG. 1**

[56] **References Cited**

U.S. PATENT DOCUMENTS

D. 294,635	3/1988	Hattori	D23/216
D. 303,283	9/1989	Best et al.	D23/216
D. 309,772	8/1990	Hastings et al.	D23/216
D. 315,395	3/1991	Clivio	D23/216
4,860,954	8/1989	Allemann	239/242 X
4,877,185	10/1989	Kufrin	239/242

OTHER PUBLICATIONS

1987 Suncast "Lawn and Garden Catalog", pp. 1-2.
1988 Suncast "Lawn and Garden Catalog", pp. 6 and 11.

Suncast Catalog bearing a 1988 copyright notice entitled "Lawn and Garden Products", p. 11.

Primary Examiner—Susan J. Lucas

Assistant Examiner—M. H. Tung

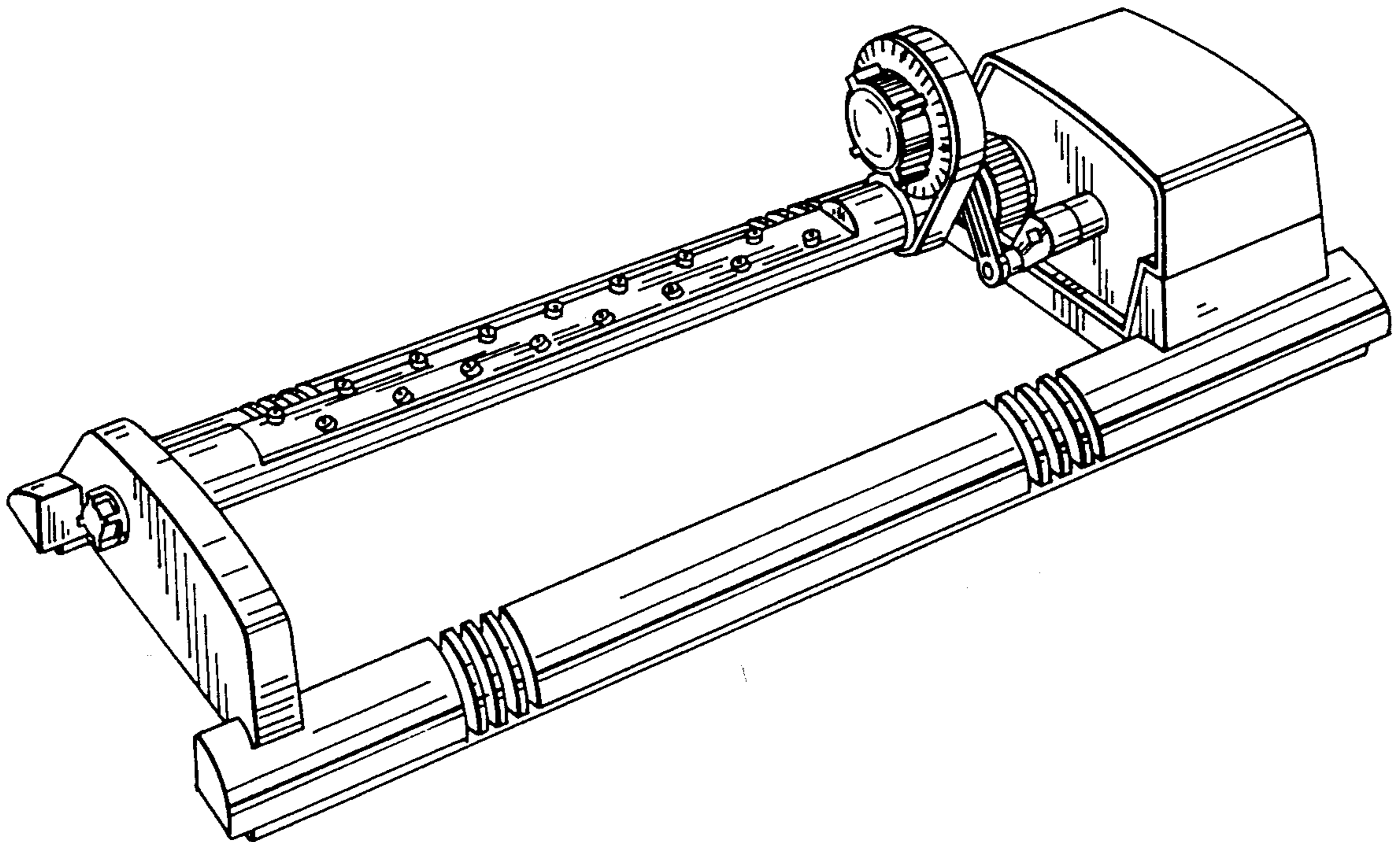
Attorney, Agent, or Firm—Fitch, Even, Tabin & Flannery

[57] **CLAIM**

The ornamental design for an oscillating sprinkler, as shown and described.

DESCRIPTION

FIG. 1 is a top, right side perspective view of an oscillating sprinkler showing my new design;
FIG. 2 is a right side elevational view thereof;
FIG. 3 is a rear elevational view thereof;
FIG. 4 is a front elevational view thereof;
FIG. 5 is a left side elevational view thereof;
FIG. 6 is a top plan view thereof;
FIG. 7 is a bottom plan view thereof.



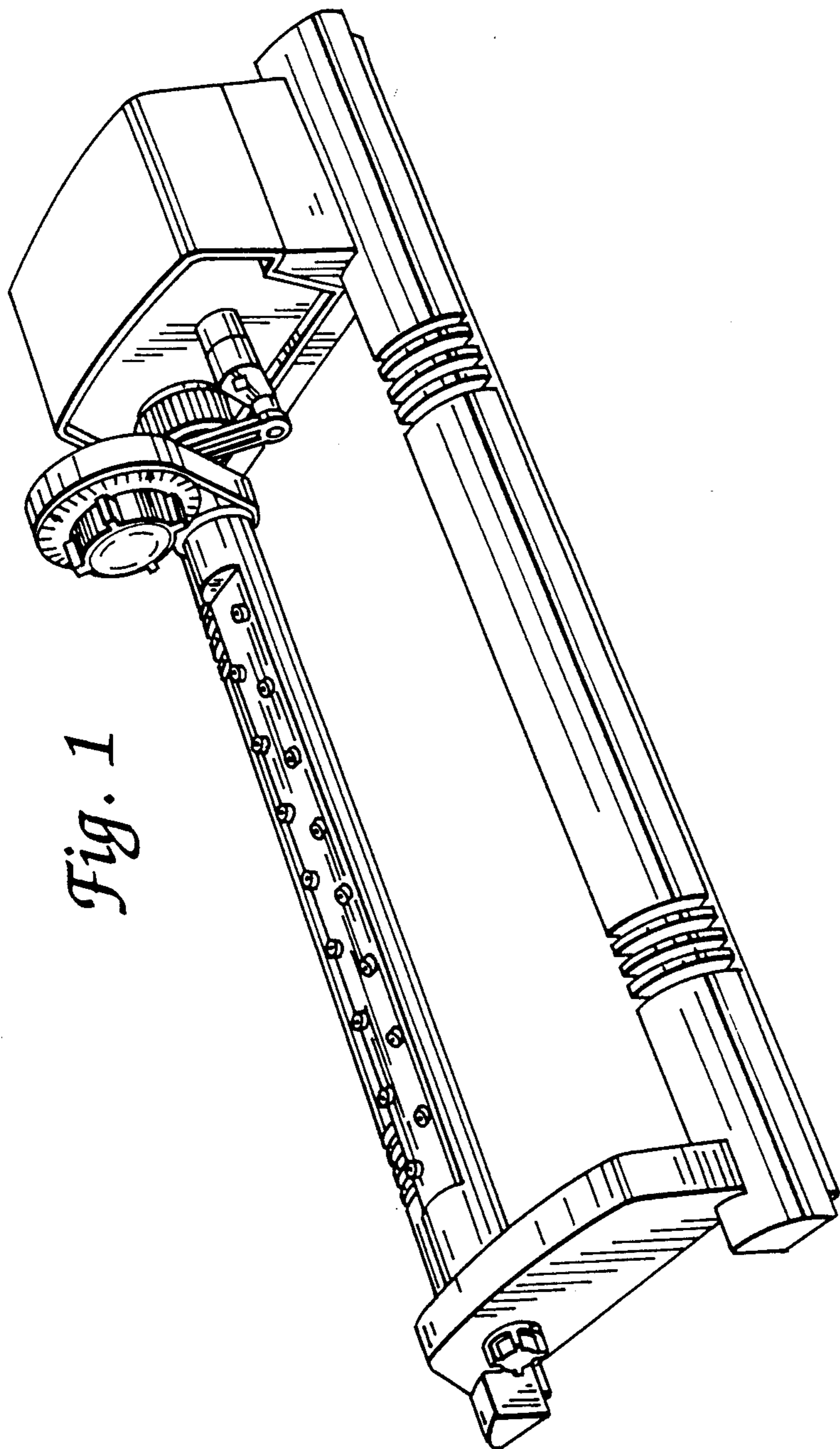


Fig. 1

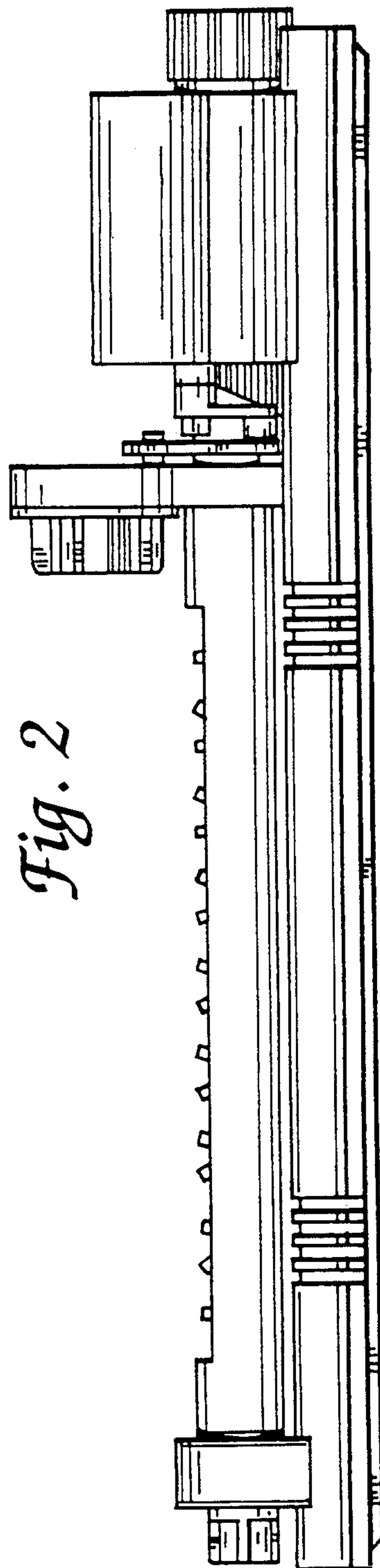


Fig. 2

Fig. 4

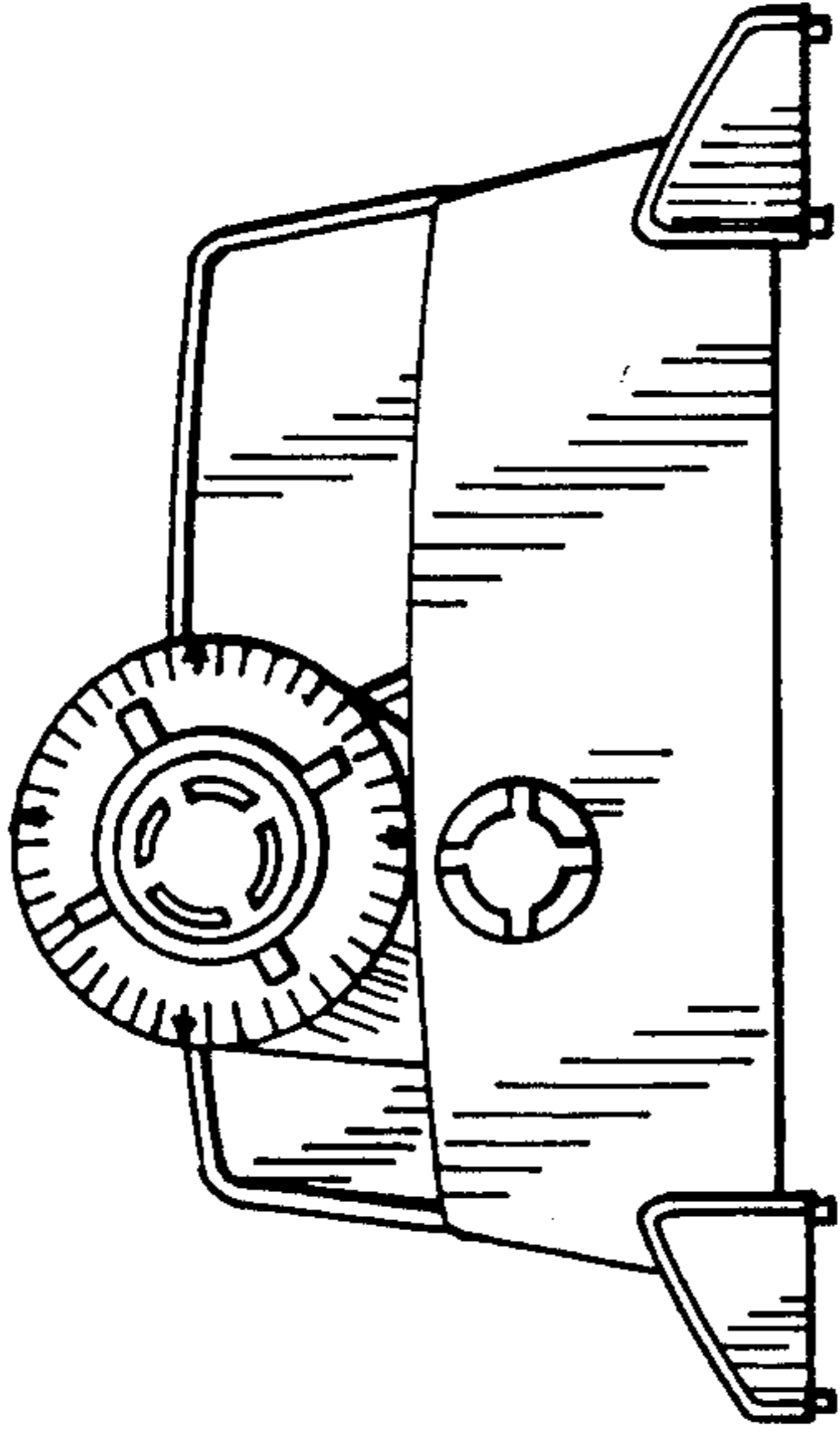


Fig. 3

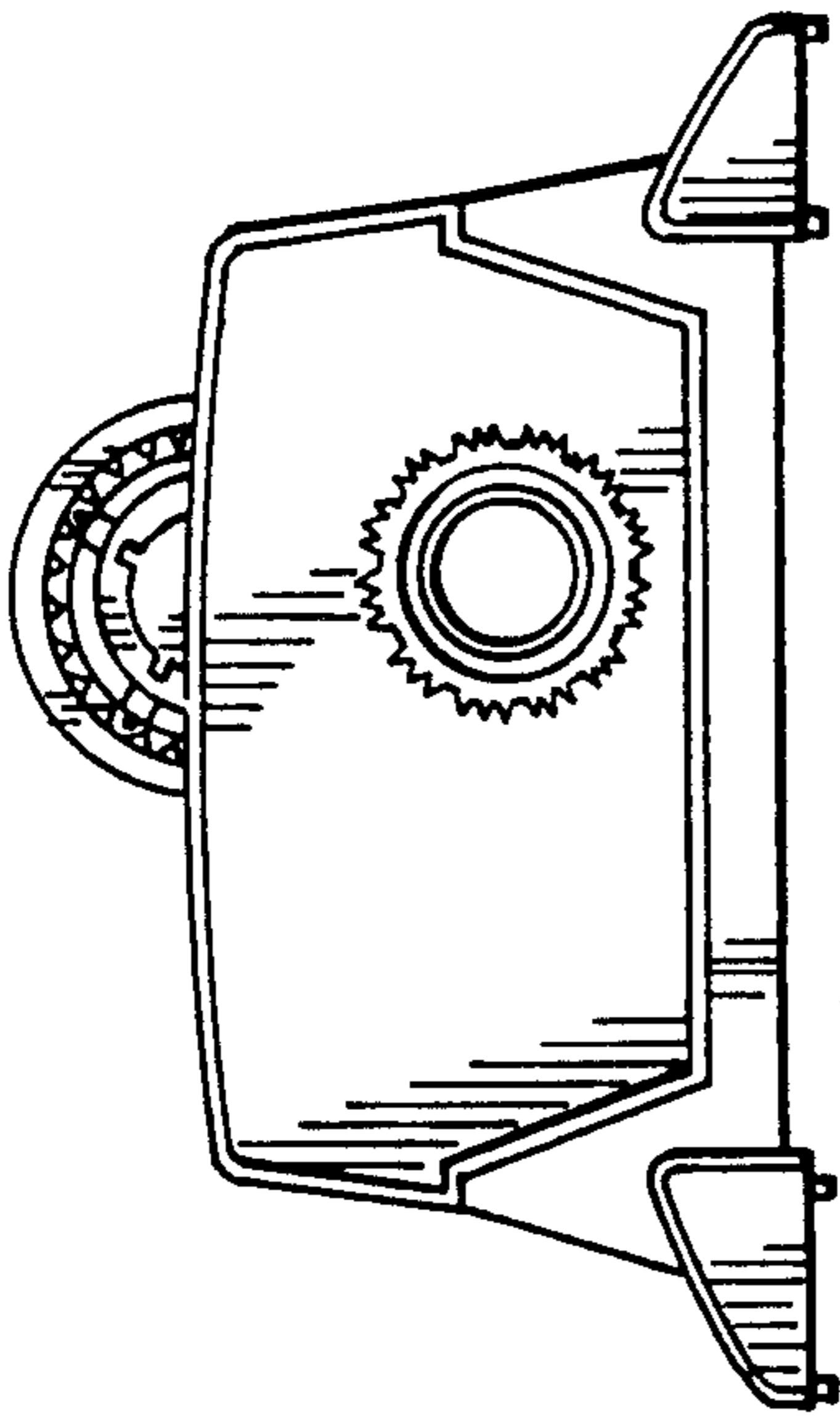


Fig. 5

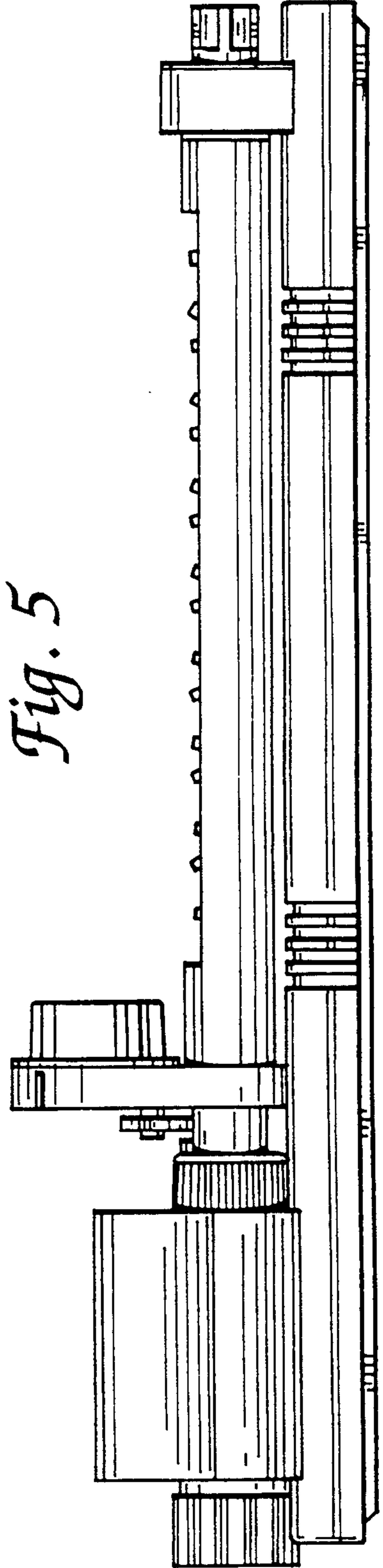


Fig. 6

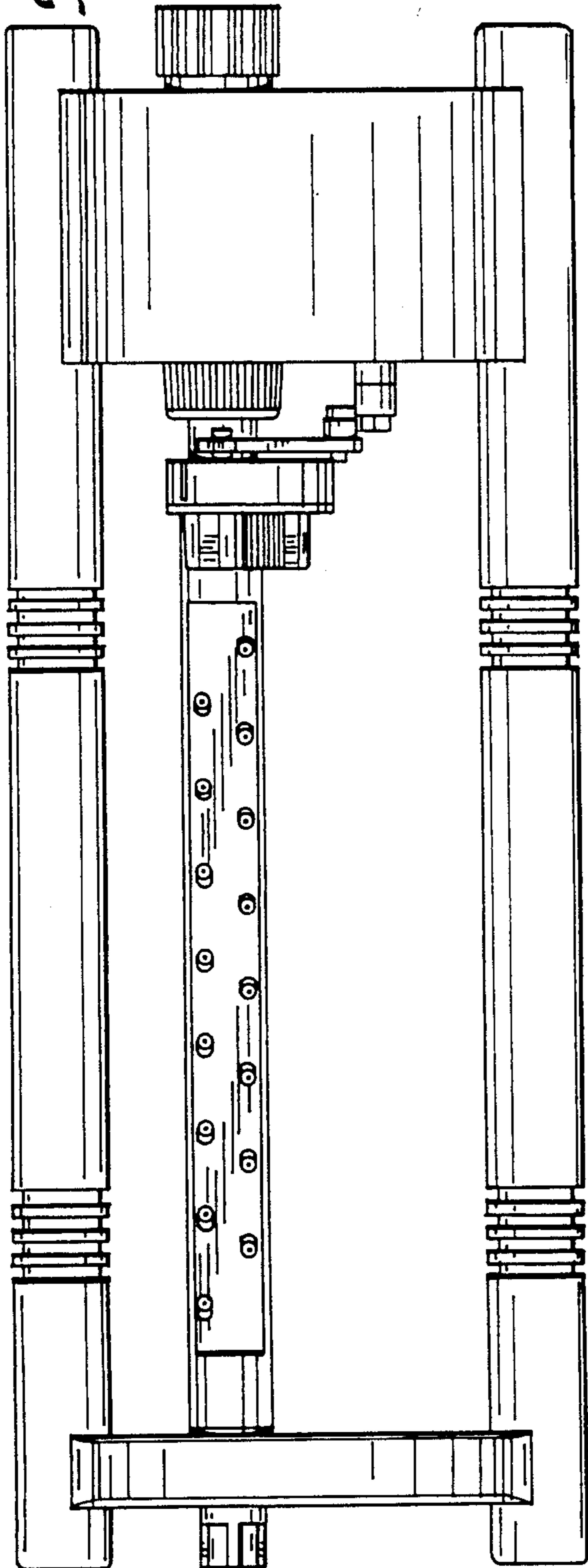


Fig. 7

