

[54] **SPINNING FISHING REEL**

[75] Inventors: **Richard J. Robbins, Derby, Kans.;**
Richard J. Feehan, Pawnee, Okla.

[73] Assignee: **Zebco Corporation, Tulsa, Okla.**

[**] Term: **14 Years**

[21] Appl. No.: **302,725**

[22] Filed: **Jan. 27, 1989**

[52] U.S. Cl. **D22/141**

[58] Field of Search **D22/140, 141;**
242/230-233, 245-246, 247, 248, 282

D. 290,989 7/1987 Eyck et al. D22/141
 D. 291,109 7/1987 Myojo D22/141
 D. 294,622 3/1988 Myojo D22/141
 3,520,488 7/1970 Vouthier 242/247 X
 4,614,314 9/1986 Ban 242/248

Primary Examiner—A. Hugo Word
Assistant Examiner—Doris V. Coles
Attorney, Agent, or Firm—Wood, Phillips, Mason,
 Recktenwald & VanSanten

[57] **CLAIM**

The ornamental design for a spinning fishing reel, as shown and described.

DESCRIPTION

FIG. 1 is a bottom and side perspective view of a spinning fishing reel, showing our new design;
 FIG. 2 is a right side elevational view thereof;
 FIG. 3 is a left side elevational view thereof;
 FIG. 4 is a top plan view thereof;
 FIG. 5 is a bottom plan view thereof;
 FIG. 6 is a front elevational view; and
 FIG. 7 is a rear elevational view.

[56] **References Cited**

U.S. PATENT DOCUMENTS

D. 257,445 10/1980 Sakamoto et al. D22/141
 D. 257,688 12/1980 Doi et al. D22/141
 D. 260,804 9/1981 Sakamoto et al. D22/141
 D. 269,031 5/1983 Kanamaru et al. D22/141
 D. 270,933 10/1983 Iinuma et al. D22/141
 D. 281,346 11/1985 Iinuma et al. D22/141

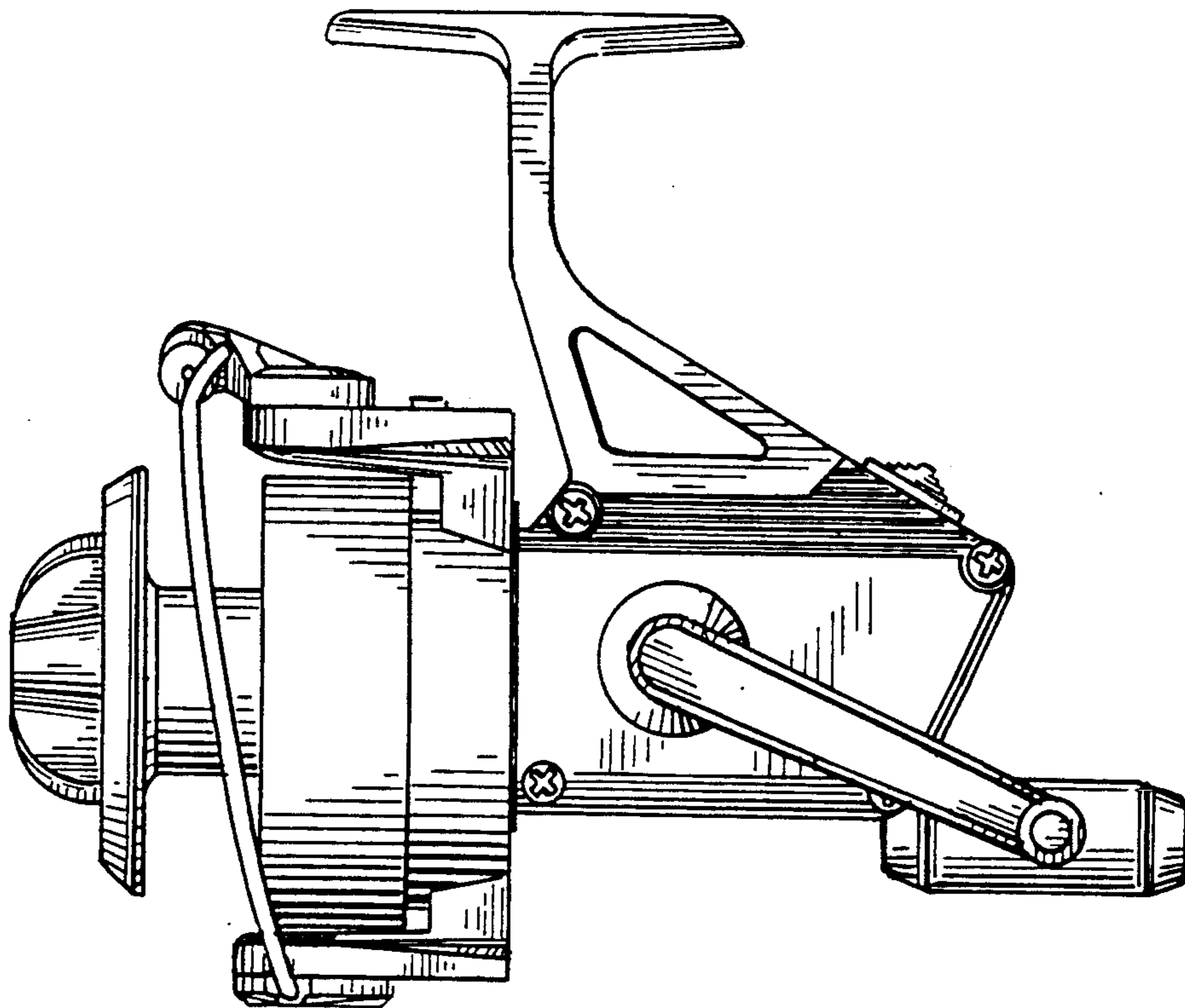


FIG. 1

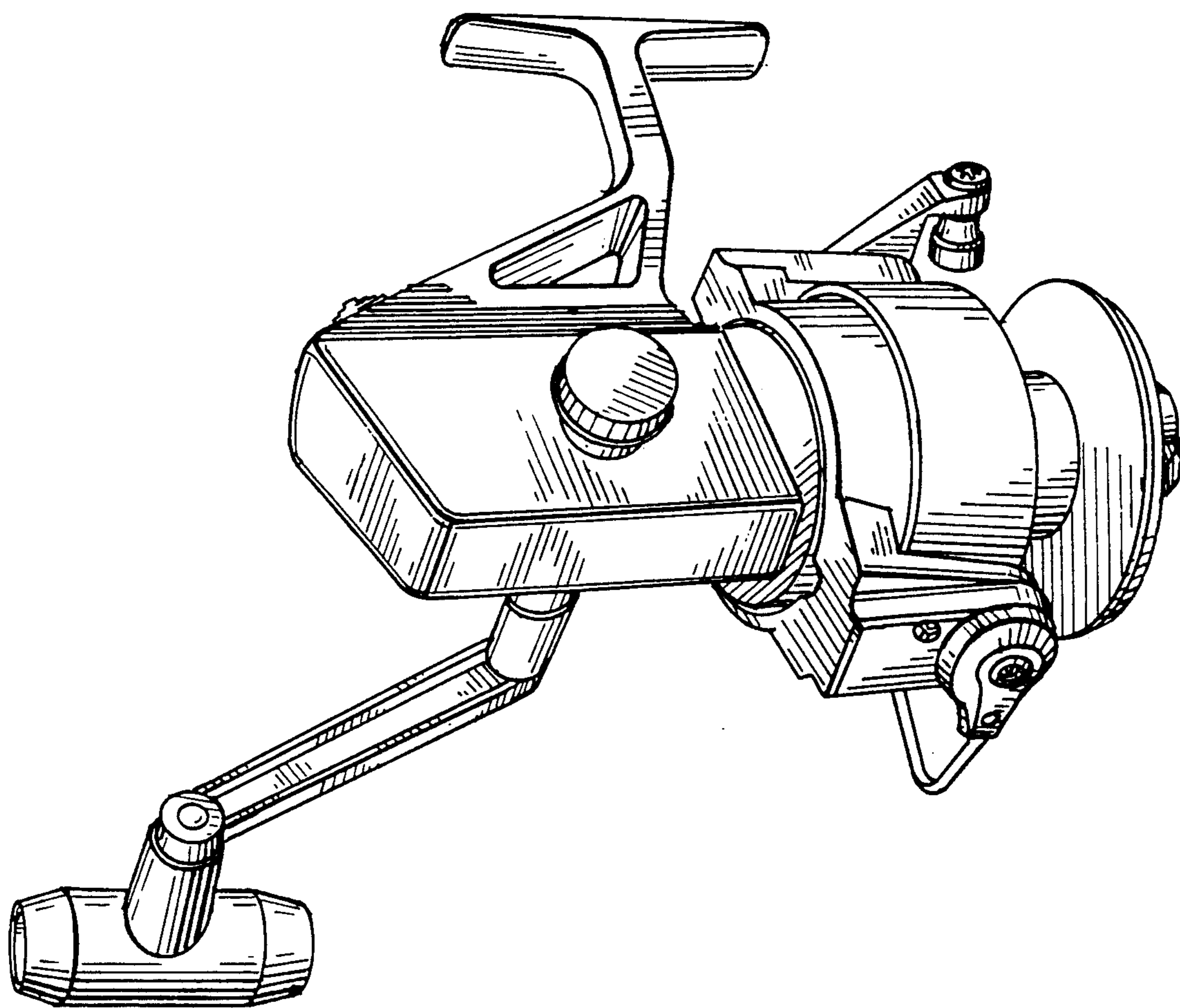


FIG. 2

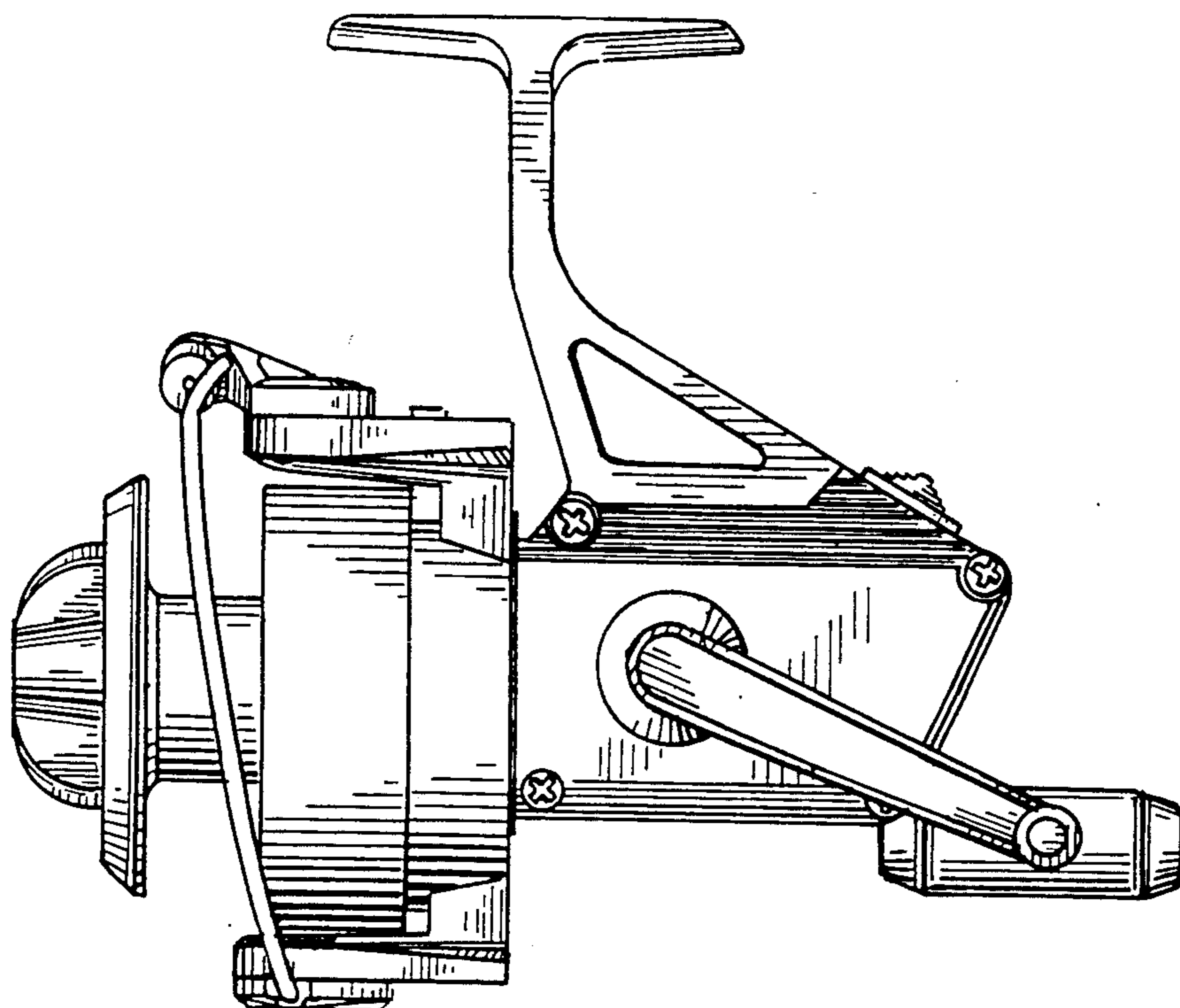


FIG. 3

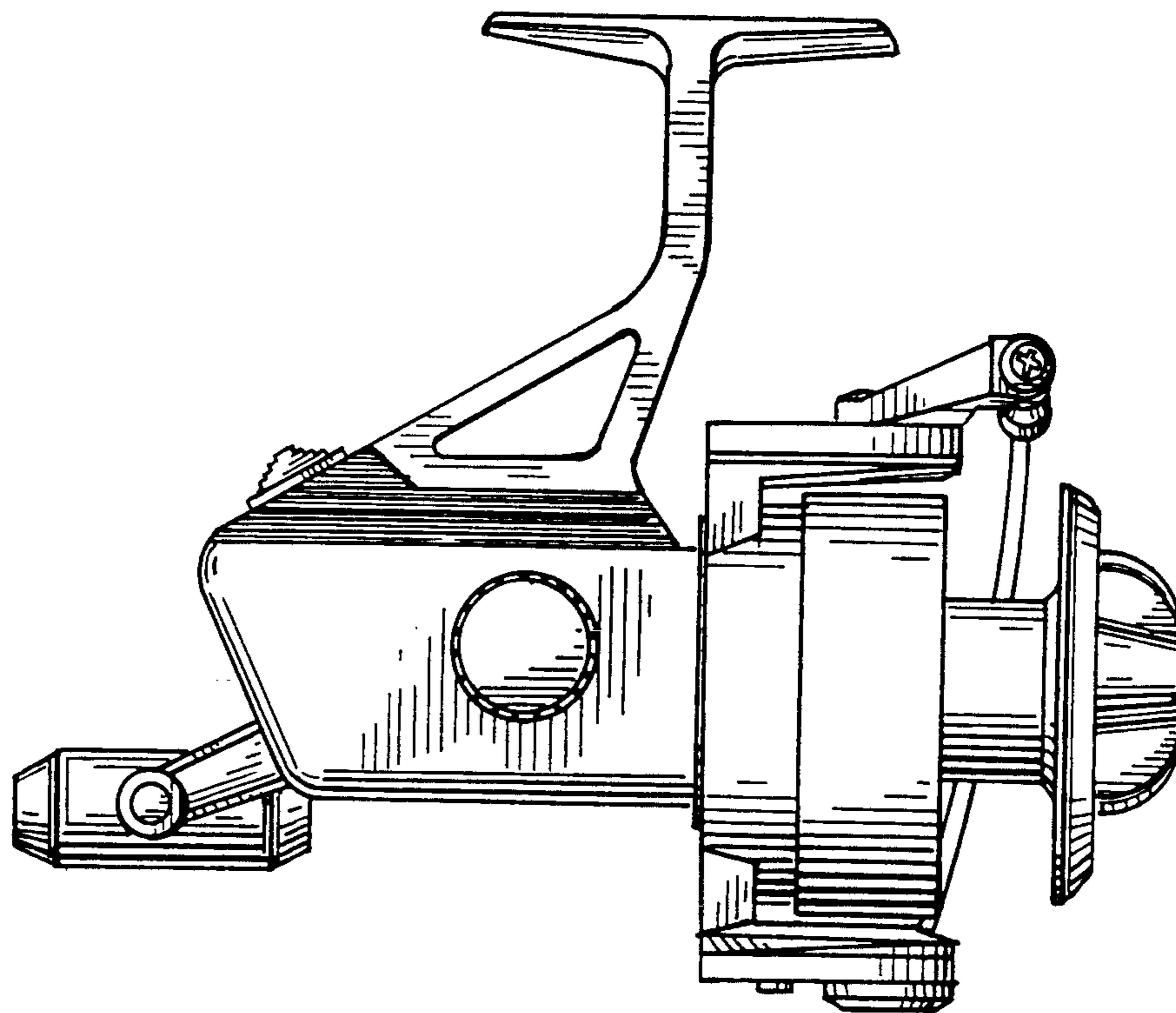


FIG. 4

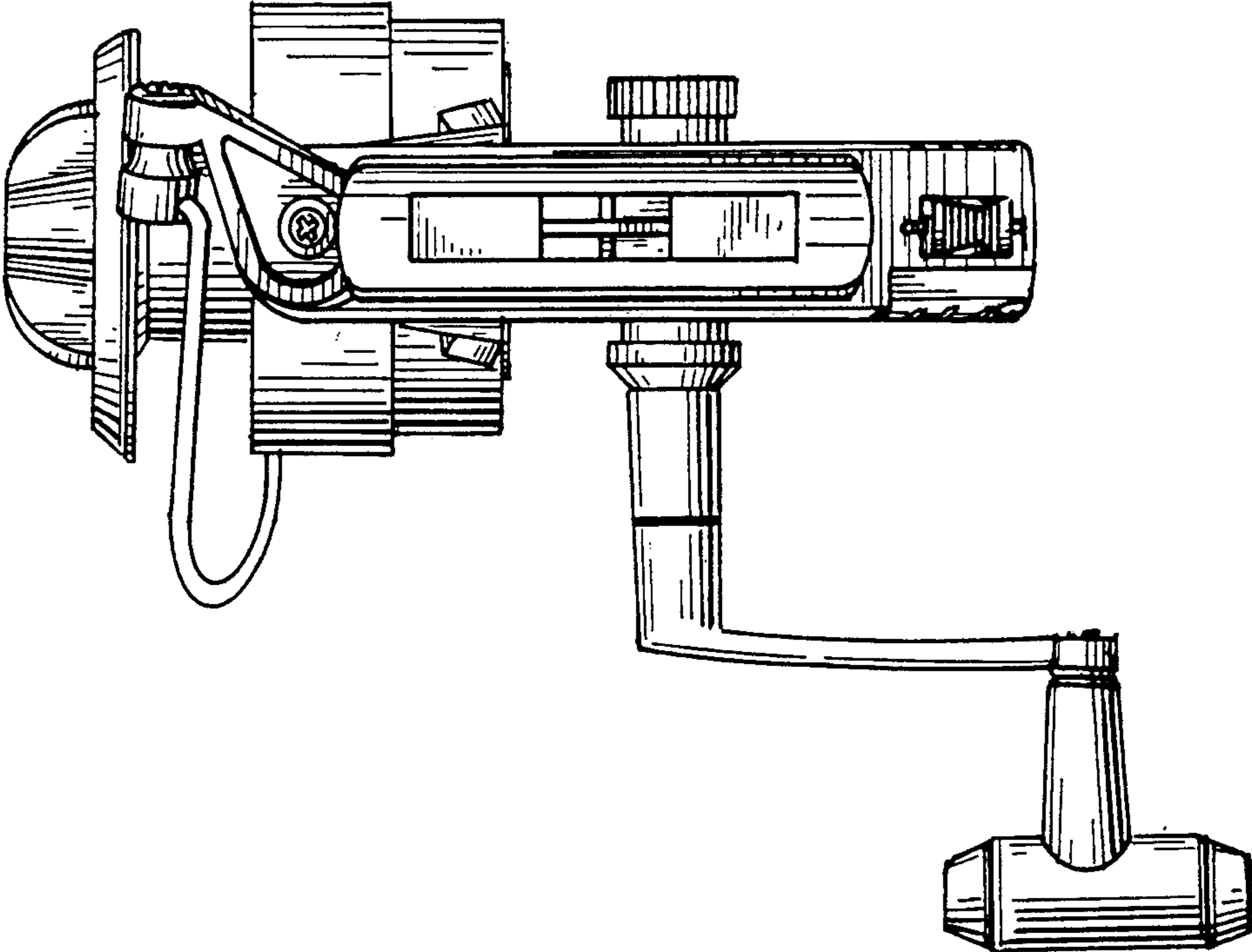


FIG. 5

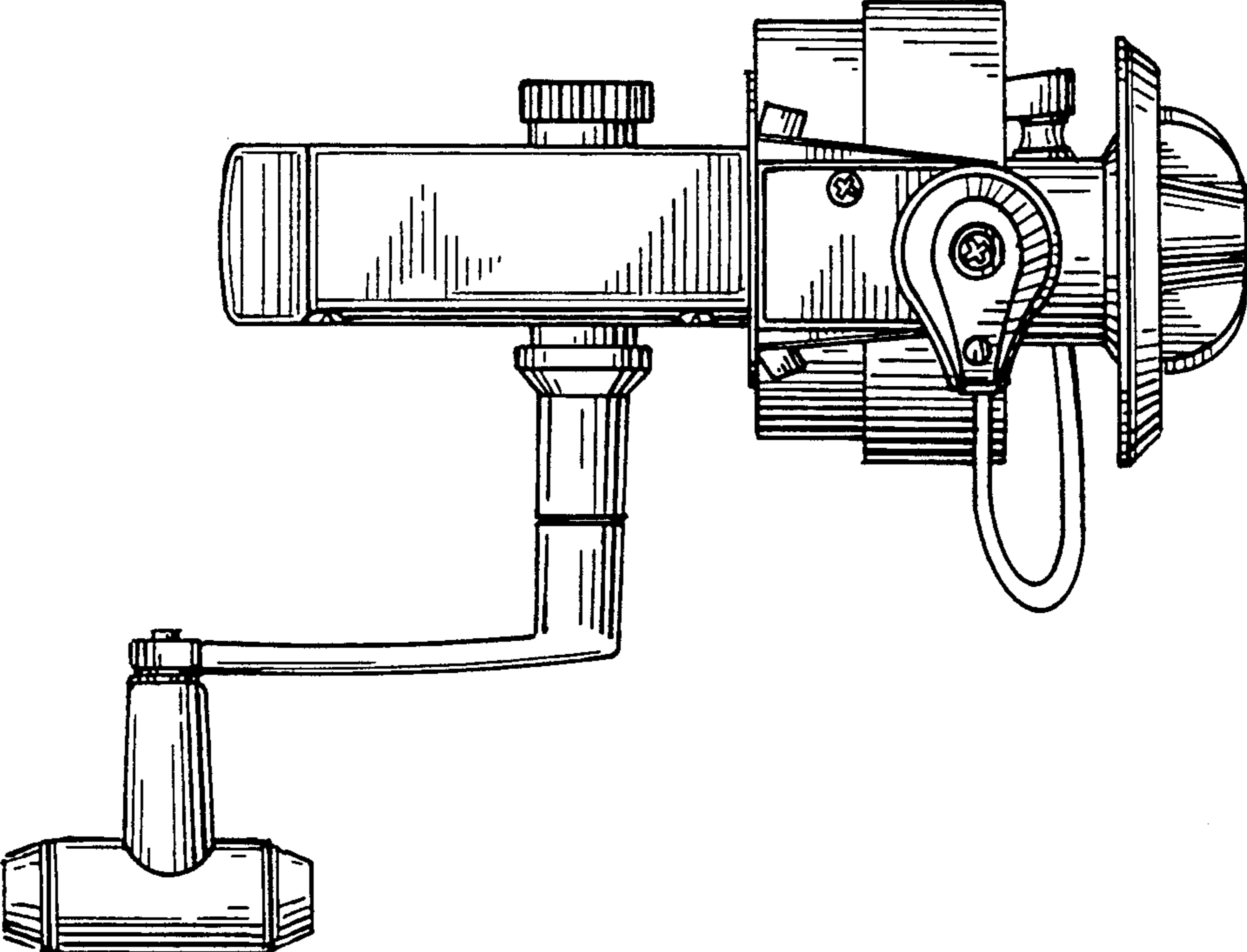


FIG. 6

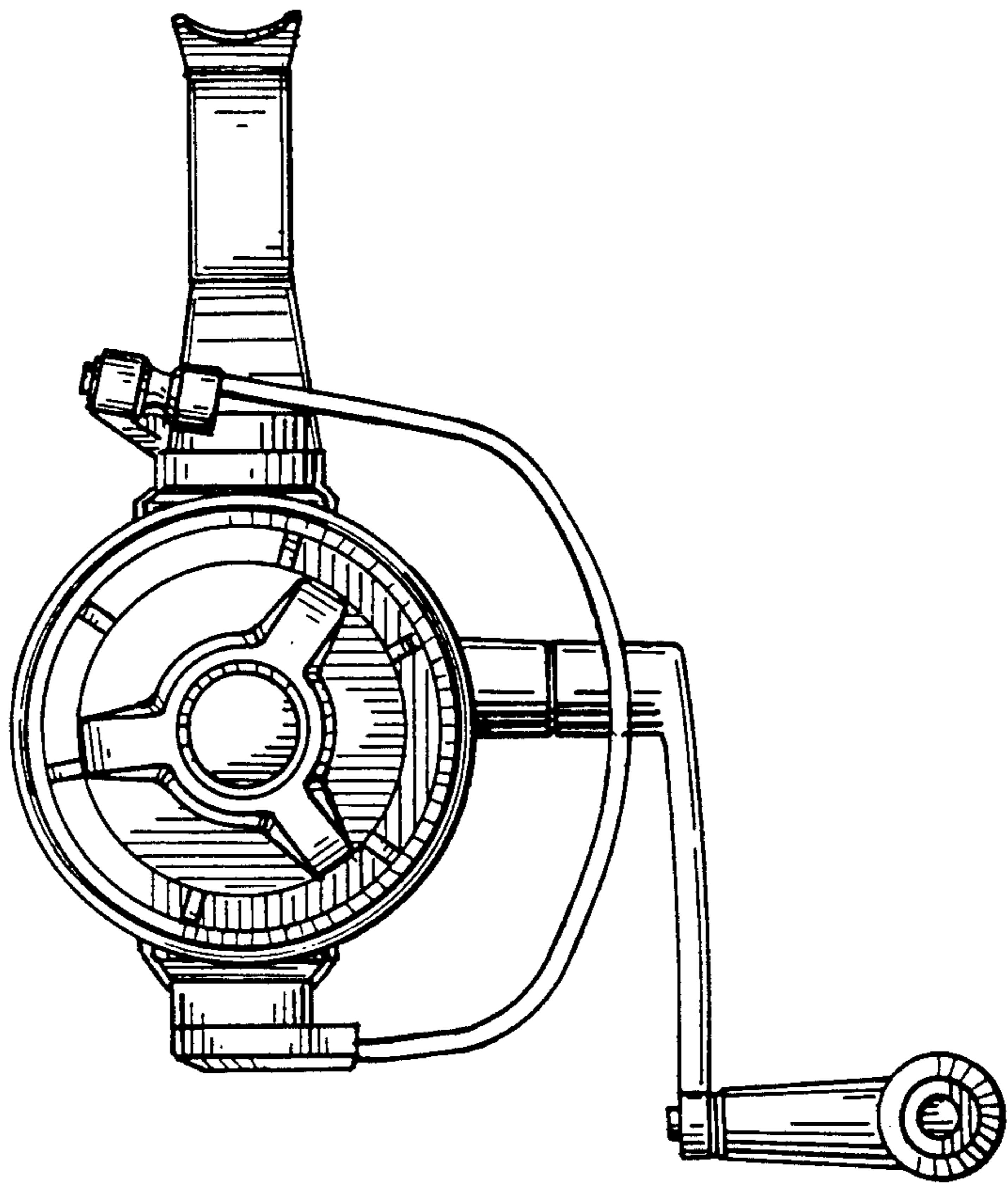


FIG. 7

