

[54] PHYSICAL EXERCISER

4,861,024 8/1989 Lee 272/144

[76] Inventor: Peter L. Low, 20 Commodore St., Acacia Ridge. Qld. 4110, Australia

Primary Examiner—Charles A. Rademaker
Attorney, Agent, or Firm—Armstrong, Nikaido, Marmelstein, Kubovcik & Murray

[**] Term: 14 Years

[57] CLAIM

[21] Appl. No.: 311,670

The ornamental design for a physical exerciser, as shown and described.

[22] Filed: Feb. 14, 1989

[52] U.S. Cl. D21/195

[58] Field of Search D21/191-199;
272/97, 102, 67, 125, 130, 141, 137, 140, 142,
143, 144

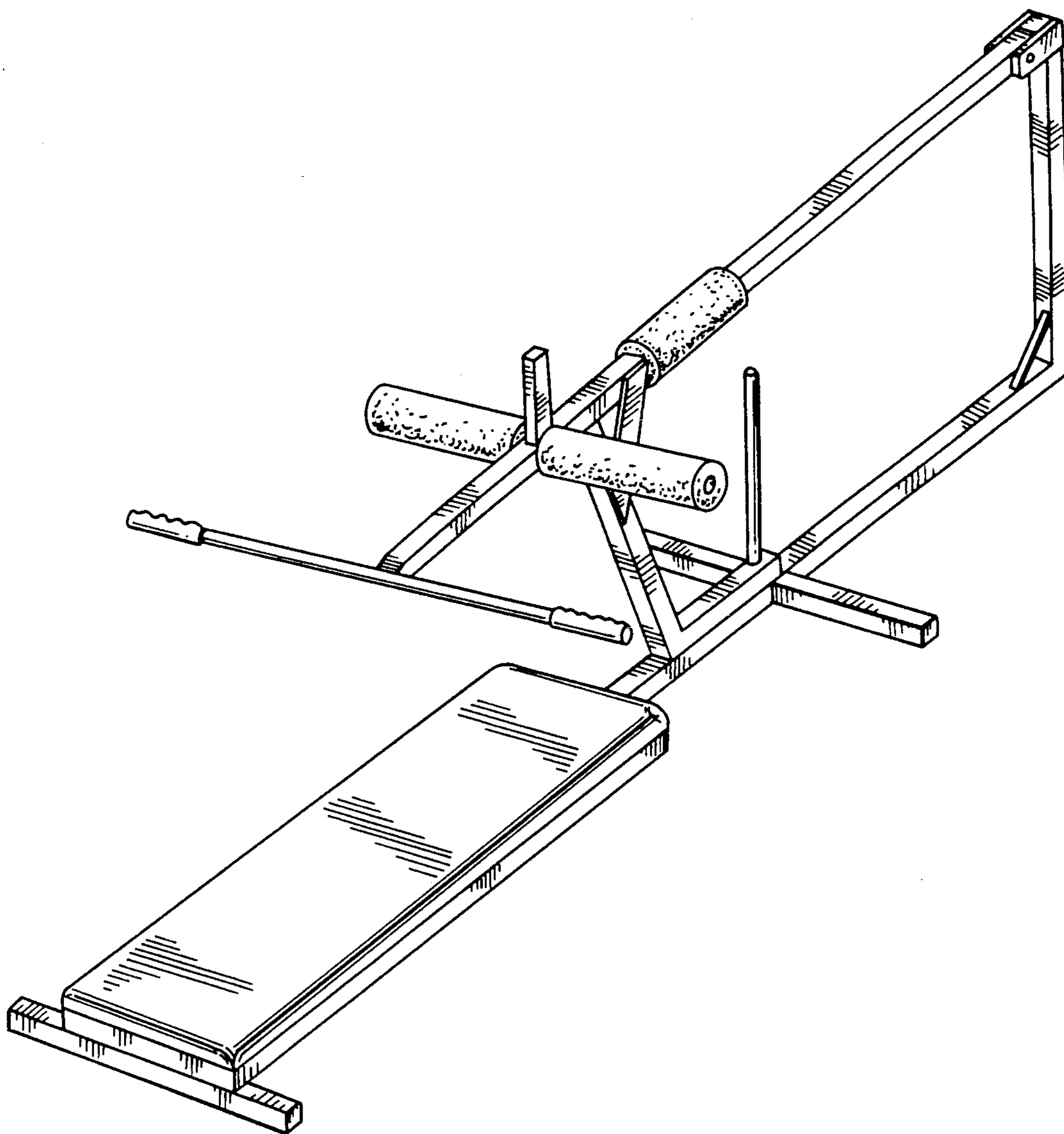
DESCRIPTION

FIG. 1 is a perspective view of a physical exerciser showing my new design;
FIG. 2 is a perspective view of a side opposite that shown in FIG. 1;
FIG. 3 is another perspective view thereof similar to FIG. 2 but showing the weight supporting lever in a raised position; and
FIG. 4 is a side elevational view thereof.

[56] References Cited

U.S. PATENT DOCUMENTS

4,101,124 7/1978 Mahnke 272/144
4,602,780 7/1986 Gall 272/144



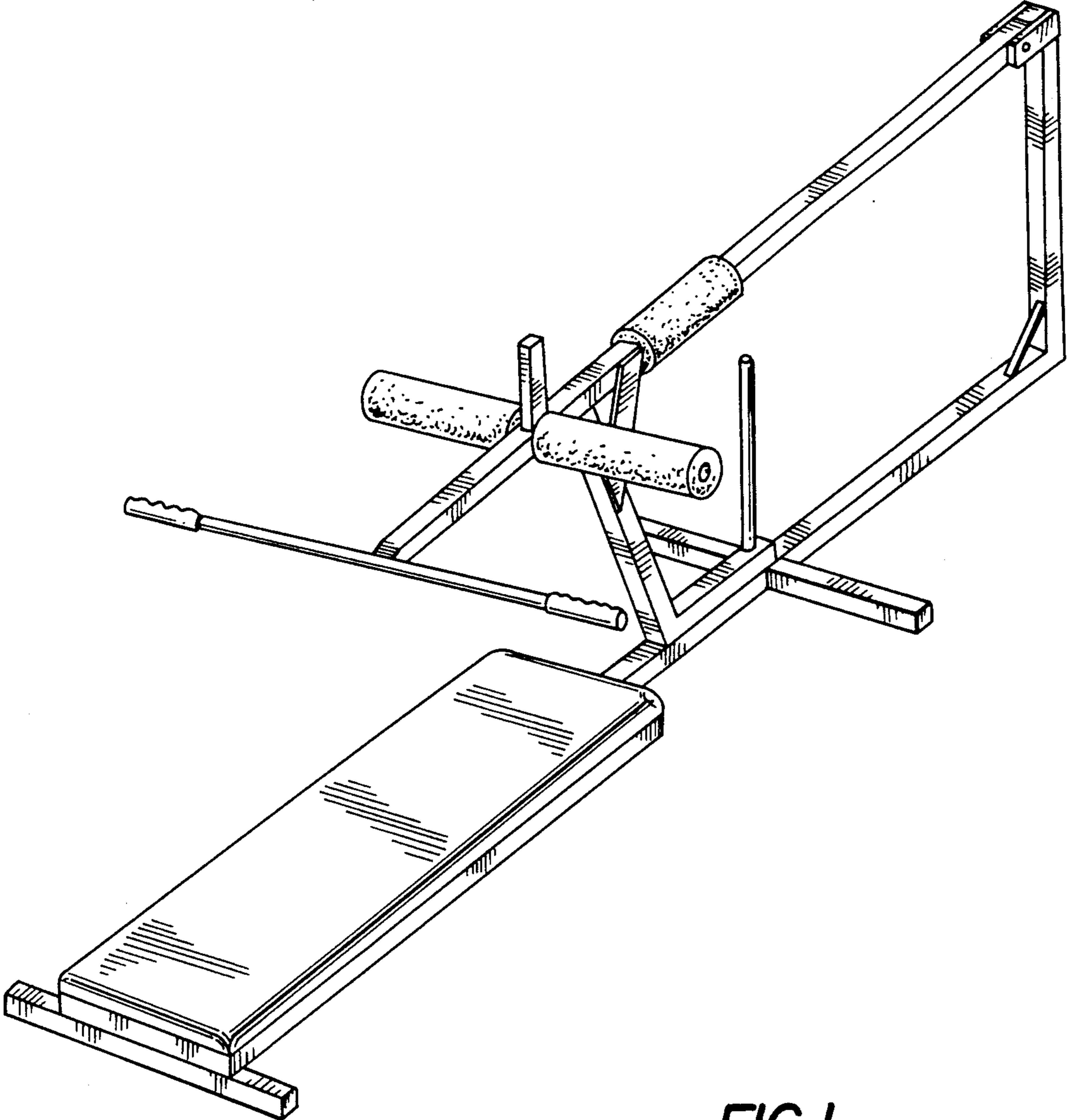


FIG. 1

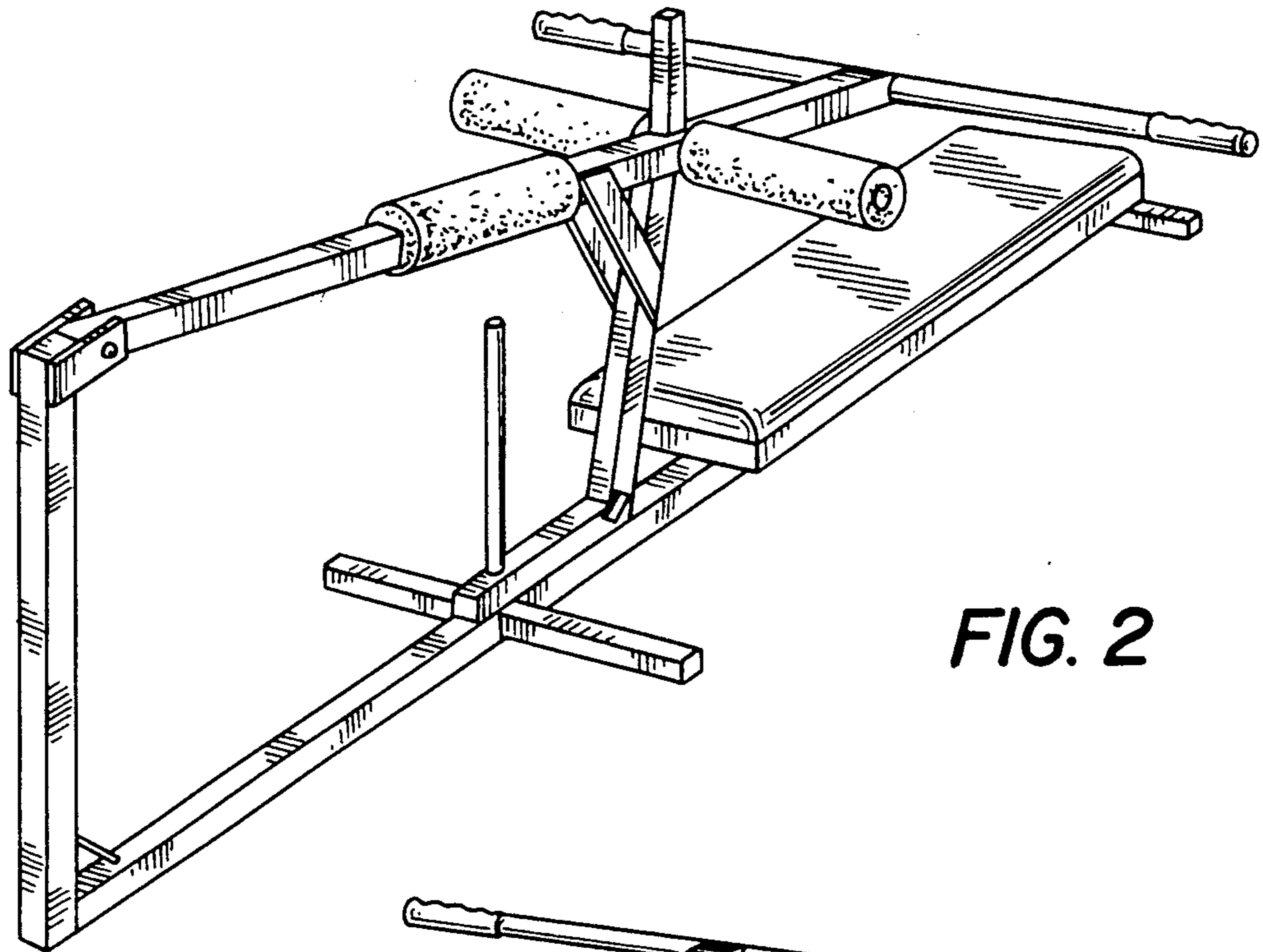


FIG. 2

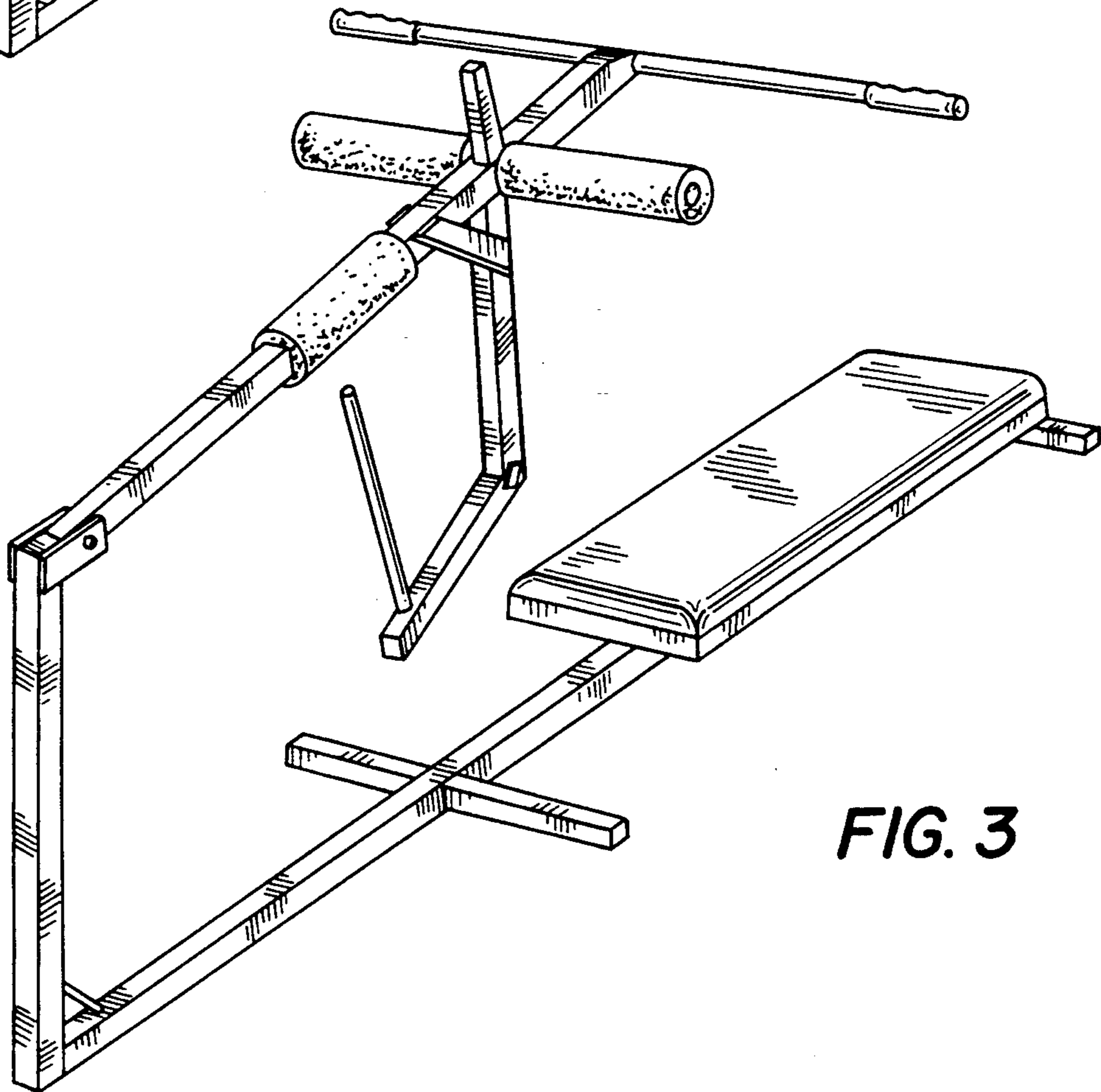


FIG. 3

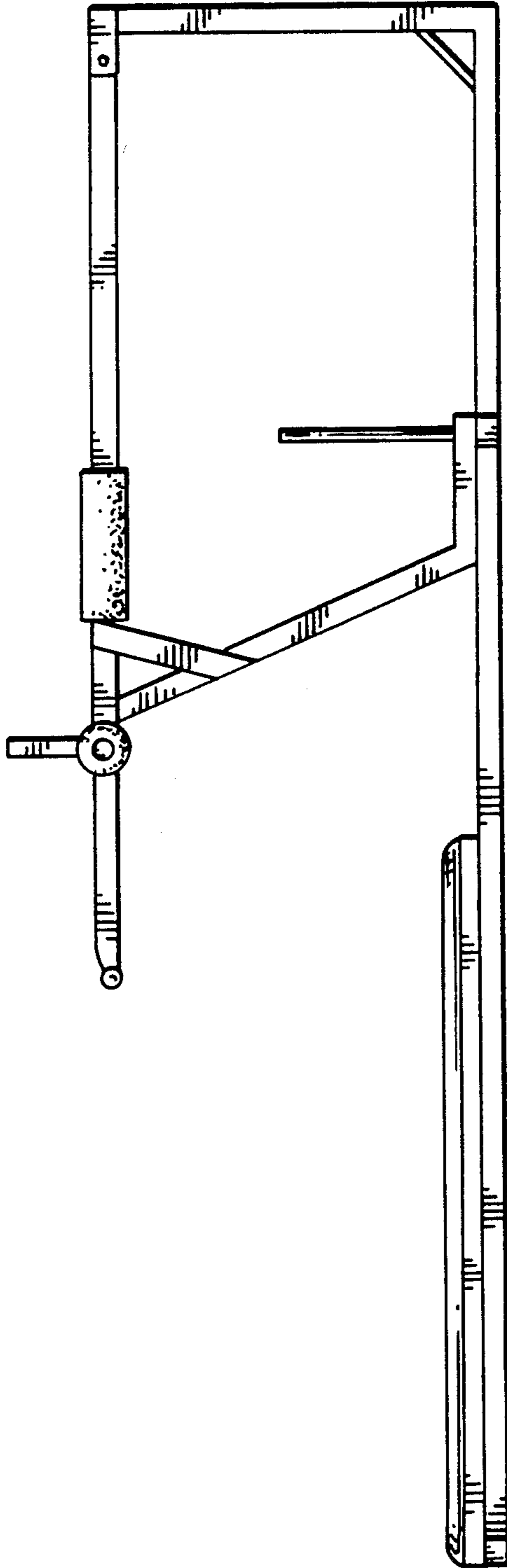


FIG. 4