

[54] ISOLATERAL DECLINE PRESS EXERCISE MACHINE

[75] Inventor: Gary A. Jones, Falmouth, Ky.

[73] Assignee: Hammer Corporation, Cincinnati, Ohio

[**] Term: 14 Years

[21] Appl. No.: 360,715

[22] Filed: Jun. 1, 1989

[52] U.S. Cl. D21/195

[58] Field of Search D21/191-199; 273/93, 99, 125, 130, 133, 134, 143, 144, 142, 118

[56] References Cited

U.S. PATENT DOCUMENTS

- D. 239,301 3/1976 Clarke D21/195
- D. 239,303 3/1976 Clarke D21/195

- D. 239,641 4/1976 Clarke D21/195
- D. 239,642 4/1976 Clarke D21/195
- D. 284,297 6/1986 Mahnke D21/195
- D. 289,783 5/1987 Pappinen D21/195
- D. 291,338 8/1987 Ringel et al. D21/195

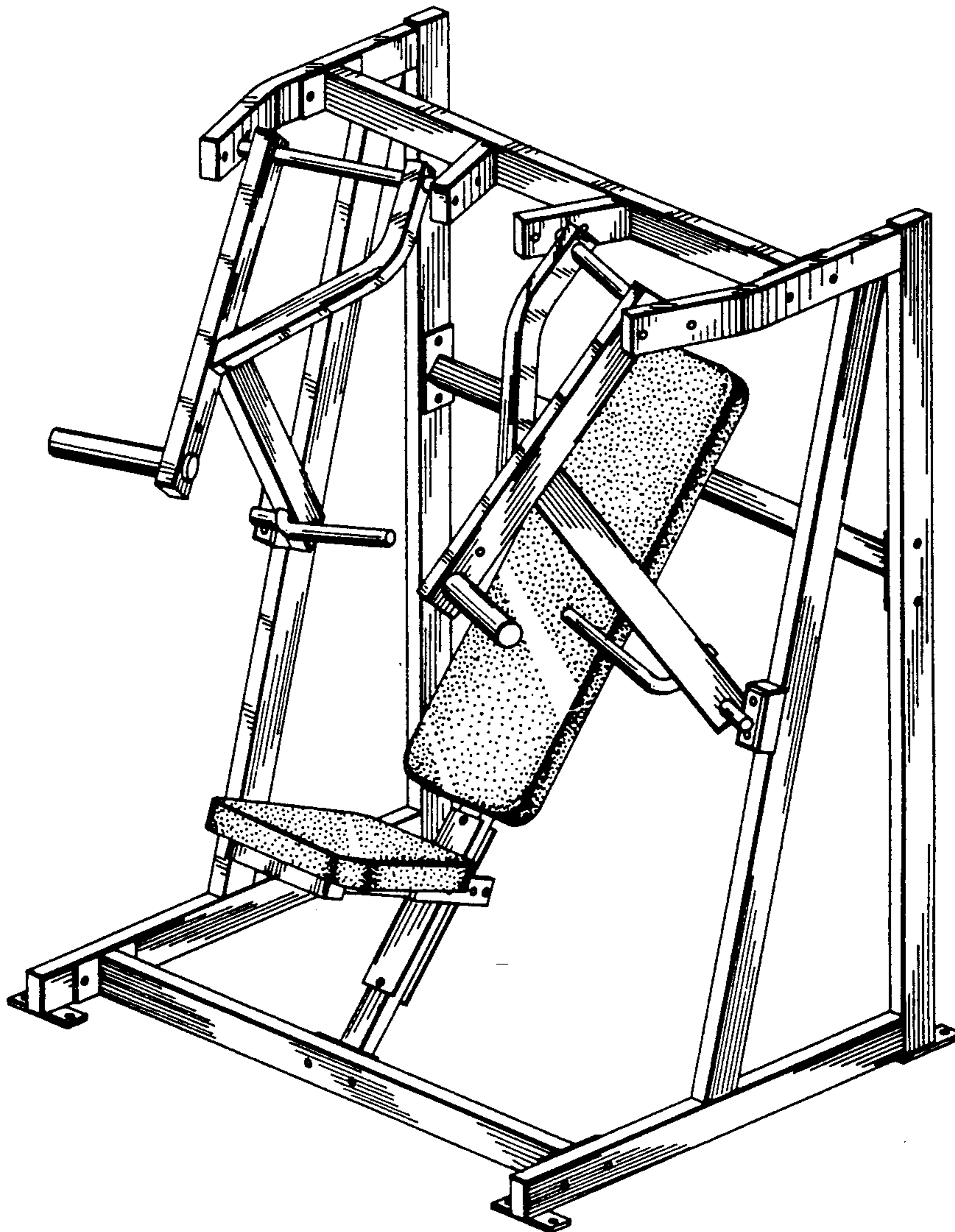
Primary Examiner—Charles A. Rademaker
Attorney, Agent, or Firm—Wood, Herron & Evans

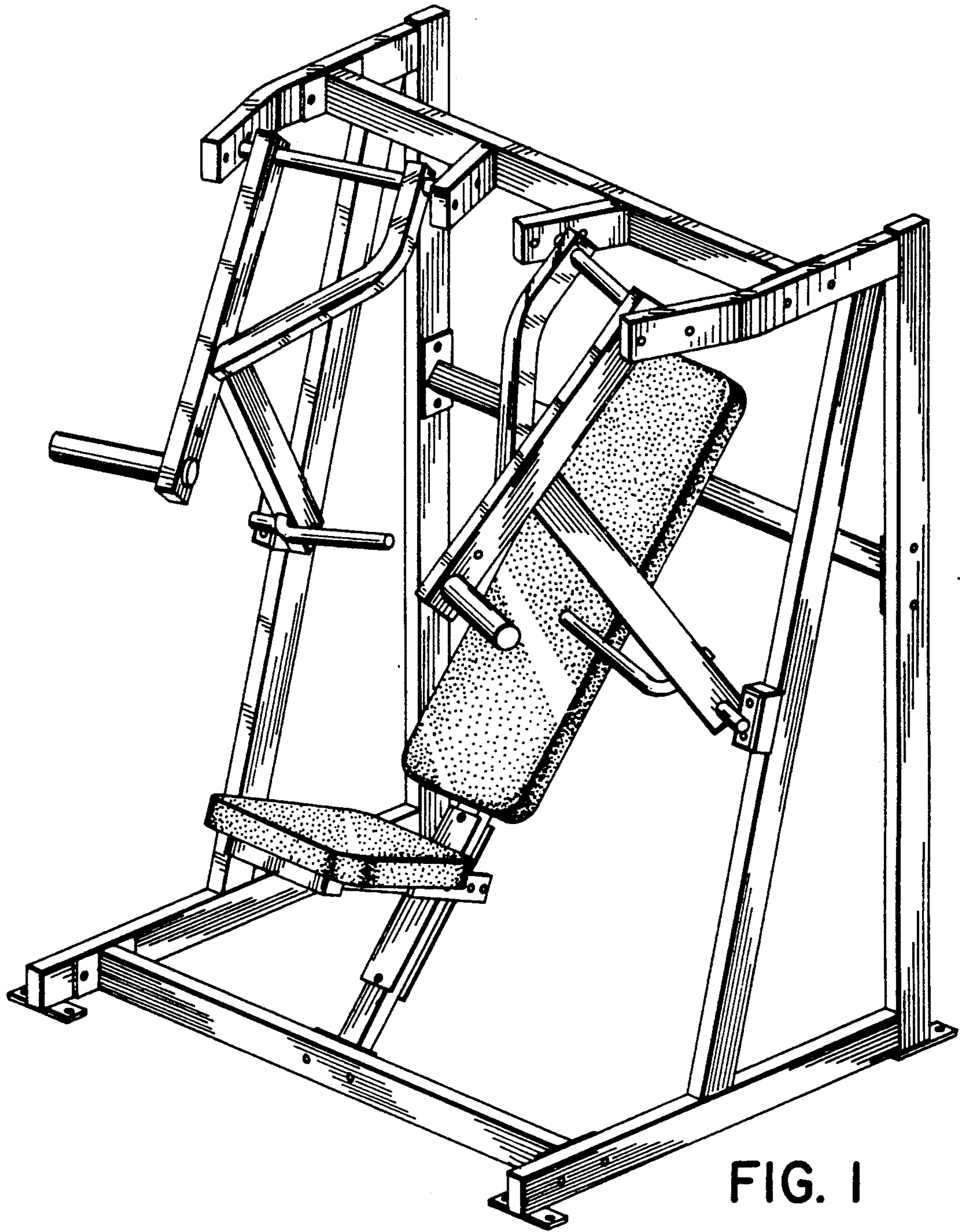
[57] CLAIM

The ornamental design for an isolateral decline press exercise machine, as shown and described.

DESCRIPTION

FIG. 1 is a perspective view of an isolateral decline press exercise machine embodying my new design.
 FIG. 2 is a front elevational view thereof.
 FIG. 3 is a side elevational view thereof, the opposite side being a mirror image thereof.
 FIG. 4 is a rear elevational view thereof.
 FIG. 5 is a top plan view thereof.
 FIG. 6 is a bottom plan view thereof.





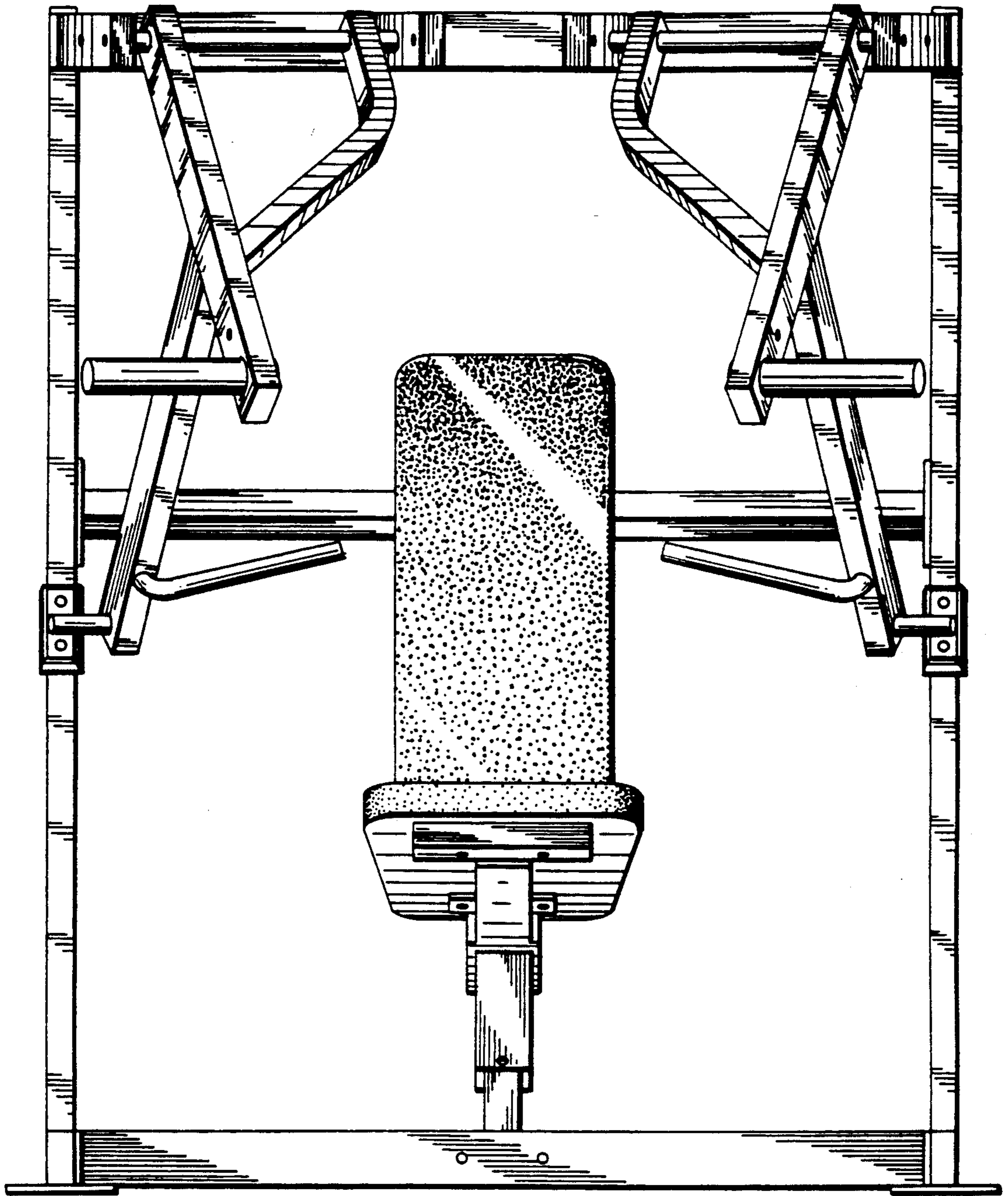


FIG. 2

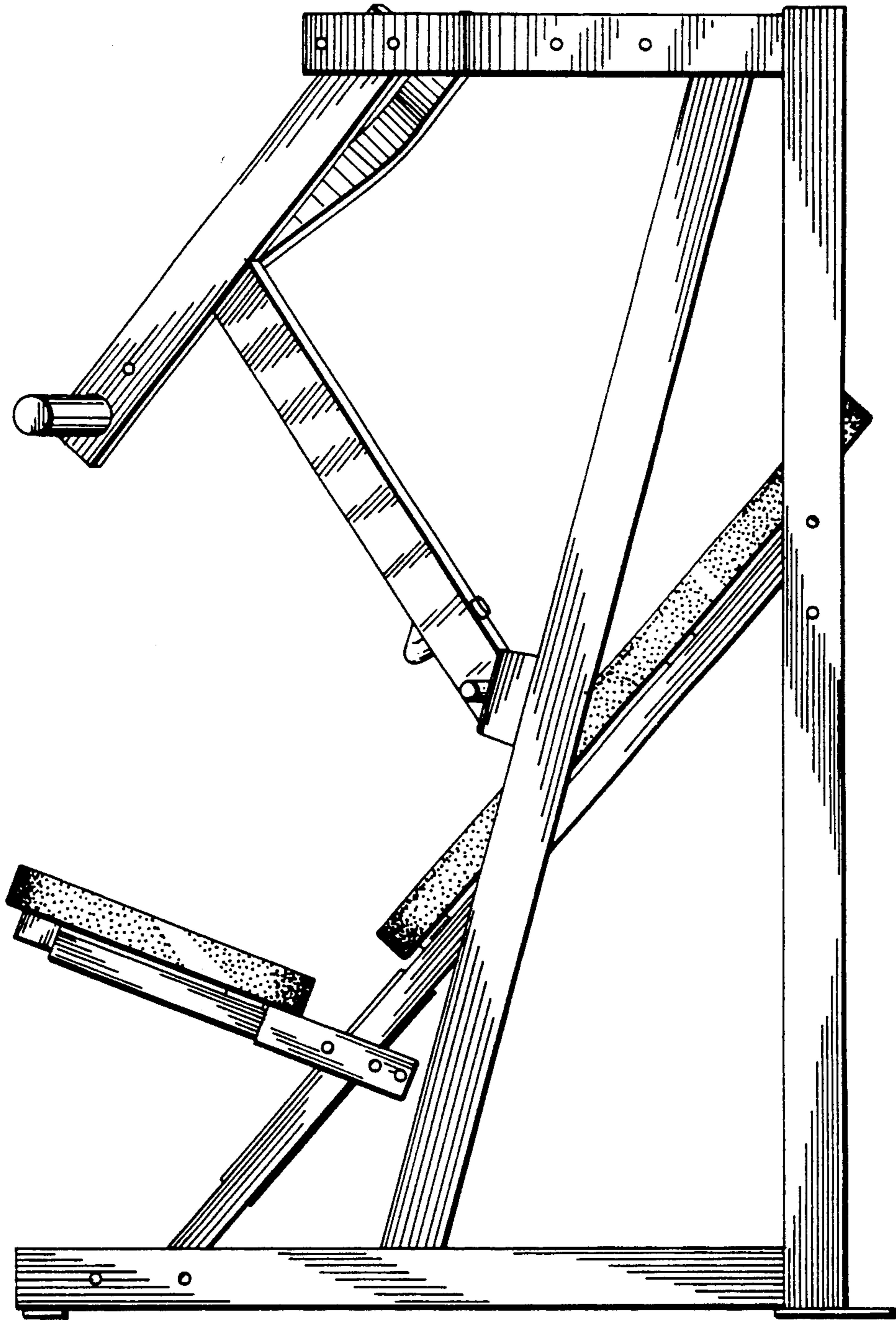


FIG. 3

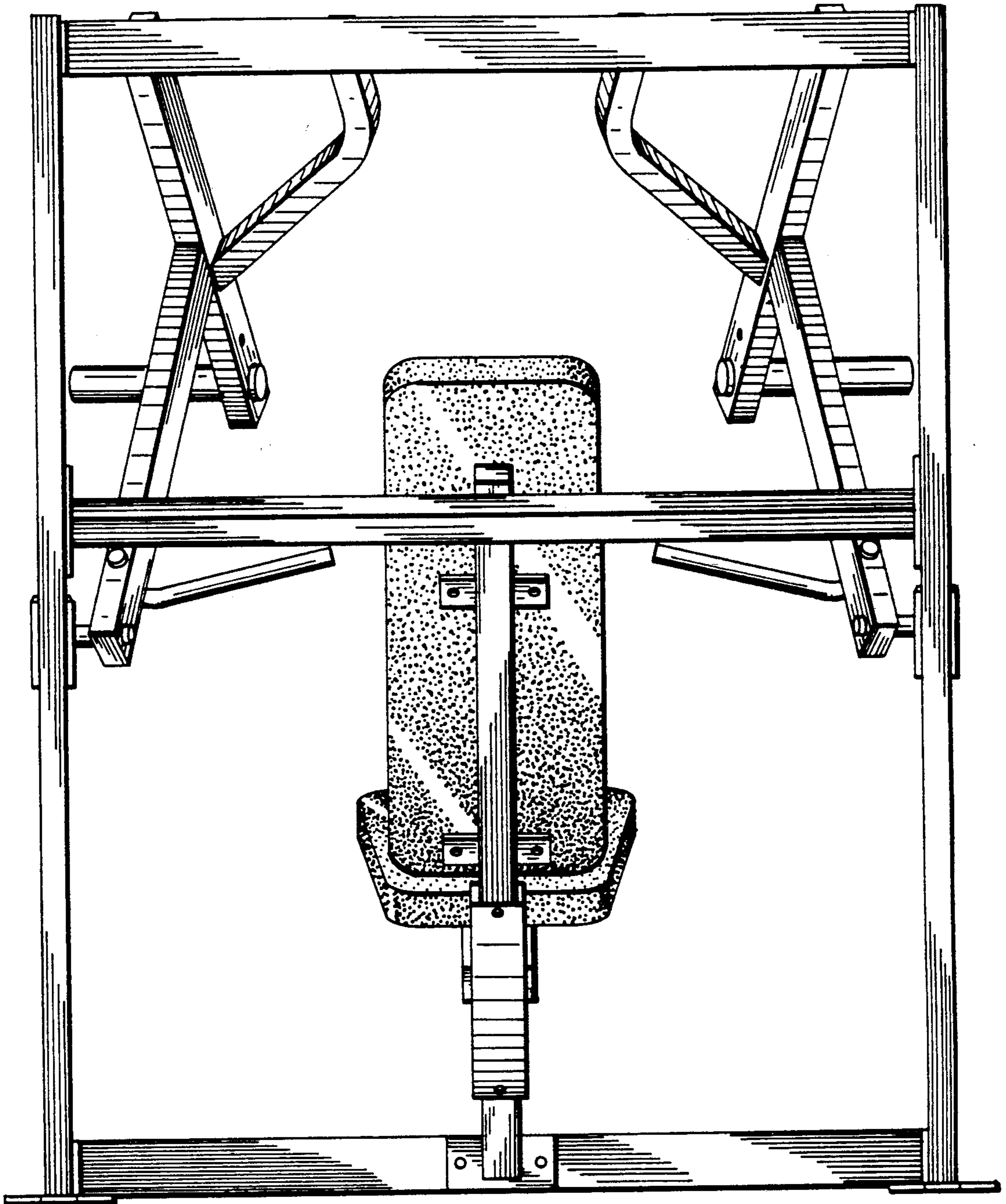


FIG. 4

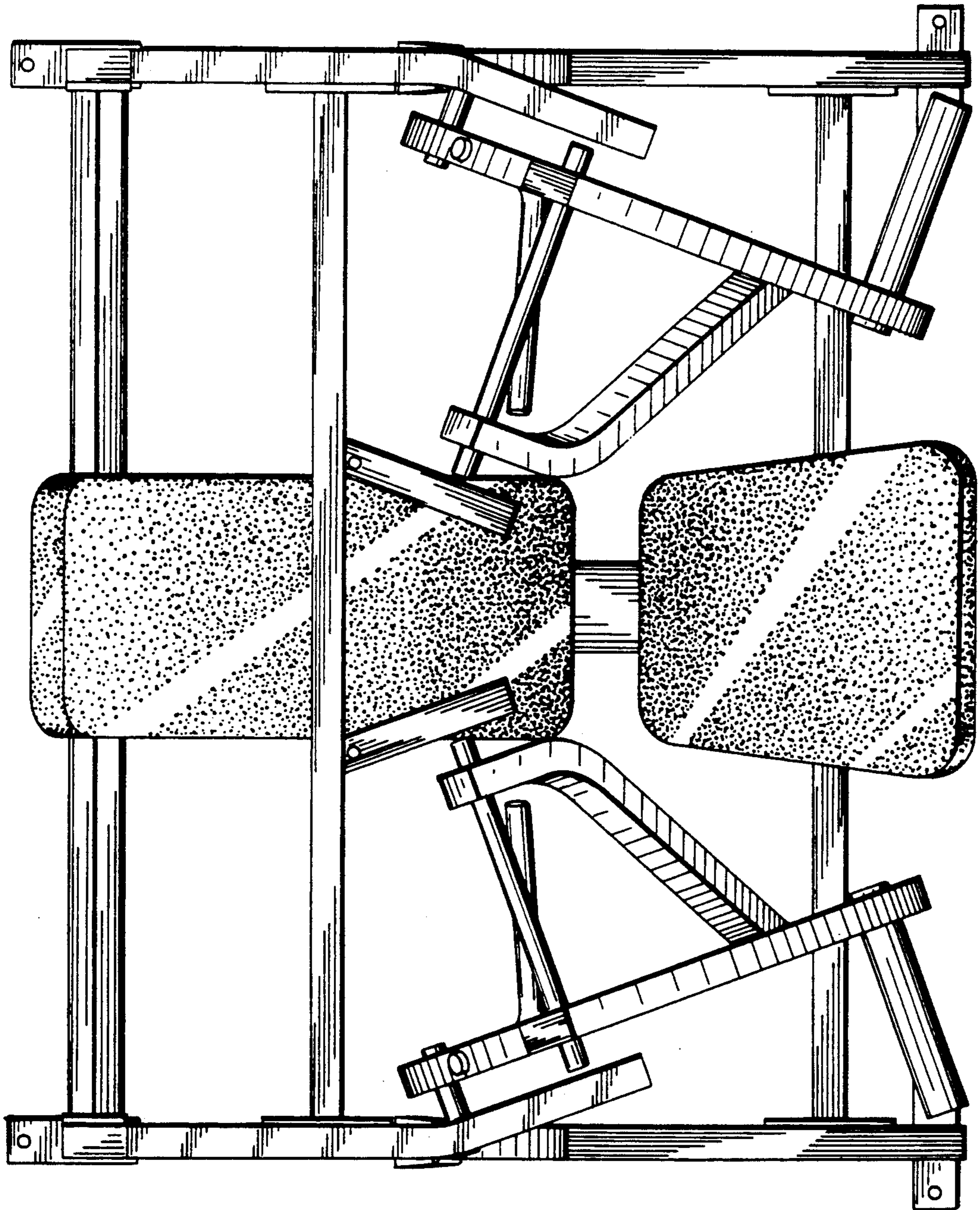


FIG. 5

FIG. 6

