

[54] ISOLATERAL ROWING EXERCISE MACHINE

[75] Inventor: Gary A. Jones, Falmouth, Ky.

[73] Assignee: Hammer Corporation, Cincinnati, Ohio

[**] Term: 14 Years

[21] Appl. No.: 359,926

[22] Filed: Jun. 1, 1989

[52] U.S. Cl. D21/195

[58] Field of Search D21/191-199; 273/93, 99, 125, 130, 133, 134, 143, 144, 142, 118

[56] References Cited

U.S. PATENT DOCUMENTS

D. 239,301 3/1976 Clarke D21/195

D. 239,641 4/1976 Clarke et al. D21/195
D. 239,642 4/1976 Clarke D21/195
D. 289,783 5/1987 Pappinen D21/195
D. 299,501 1/1989 Howze D21/191

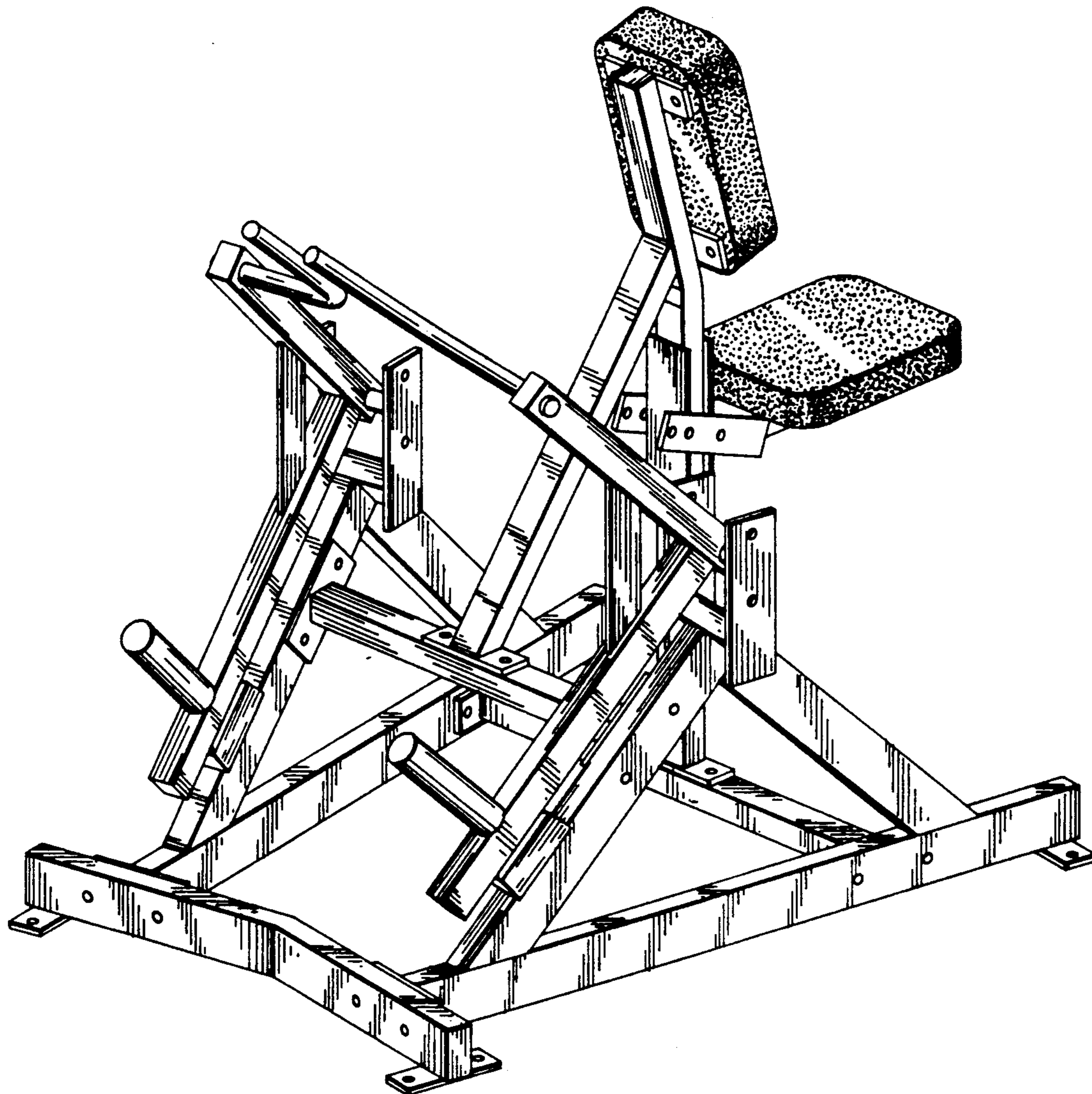
Primary Examiner—Charles A. Rademaker
Attorney, Agent, or Firm—Wood, Herron & Evans

[57] CLAIM

The ornamental design for an isolateral rowing exercise machine, as shown and described.

DESCRIPTION

FIG. 1 is perspective view of an isolateral rowing exercise machine embodying my new design.
FIG. 2 is a front elevational view thereof.
FIG. 3 is a side elevational view thereof, the opposite side being a mirror image thereof.
FIG. 4 is a rear elevational view thereof.
FIG. 5 is a top plan view thereof.
FIG. 6 is a bottom plan view thereof.



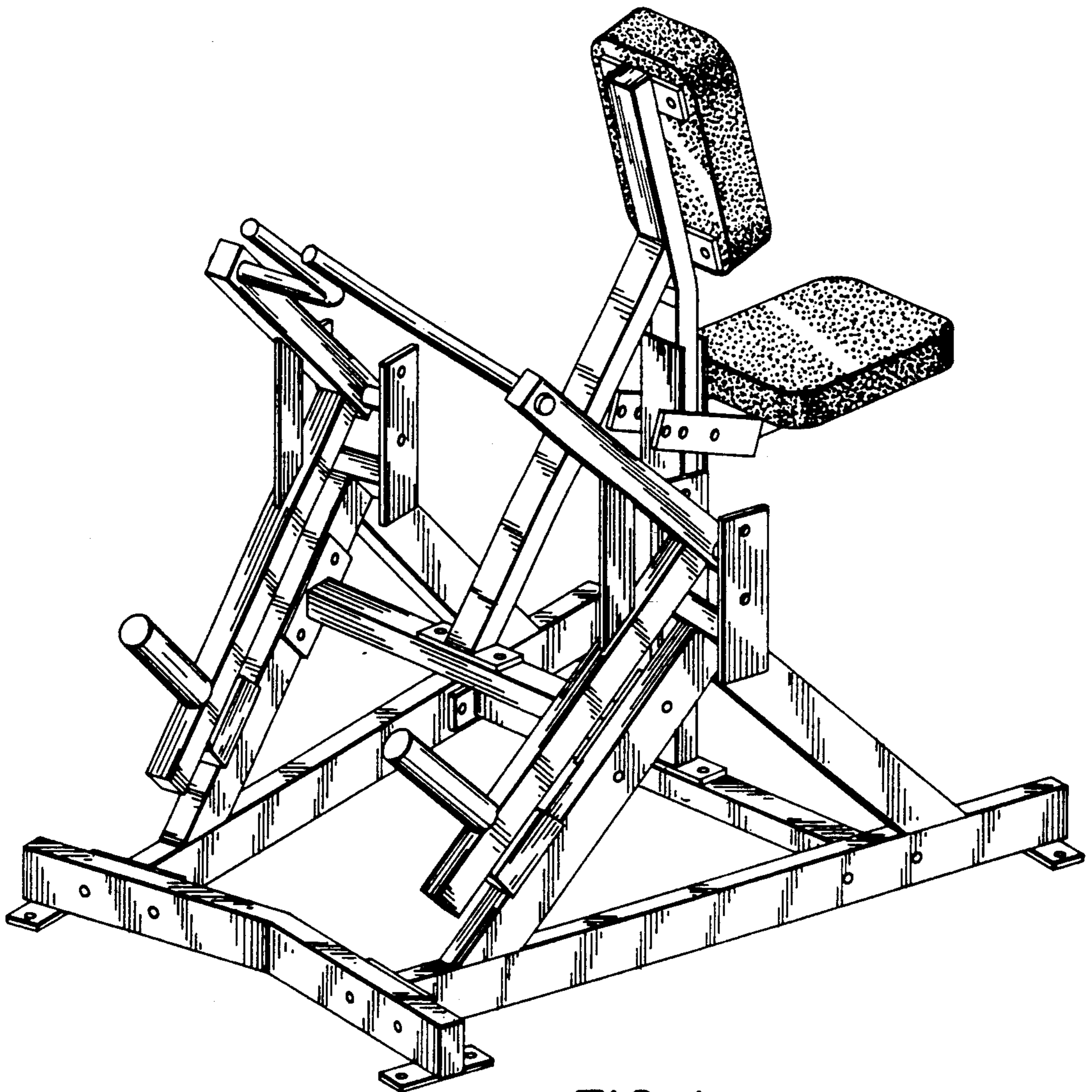


FIG. 1

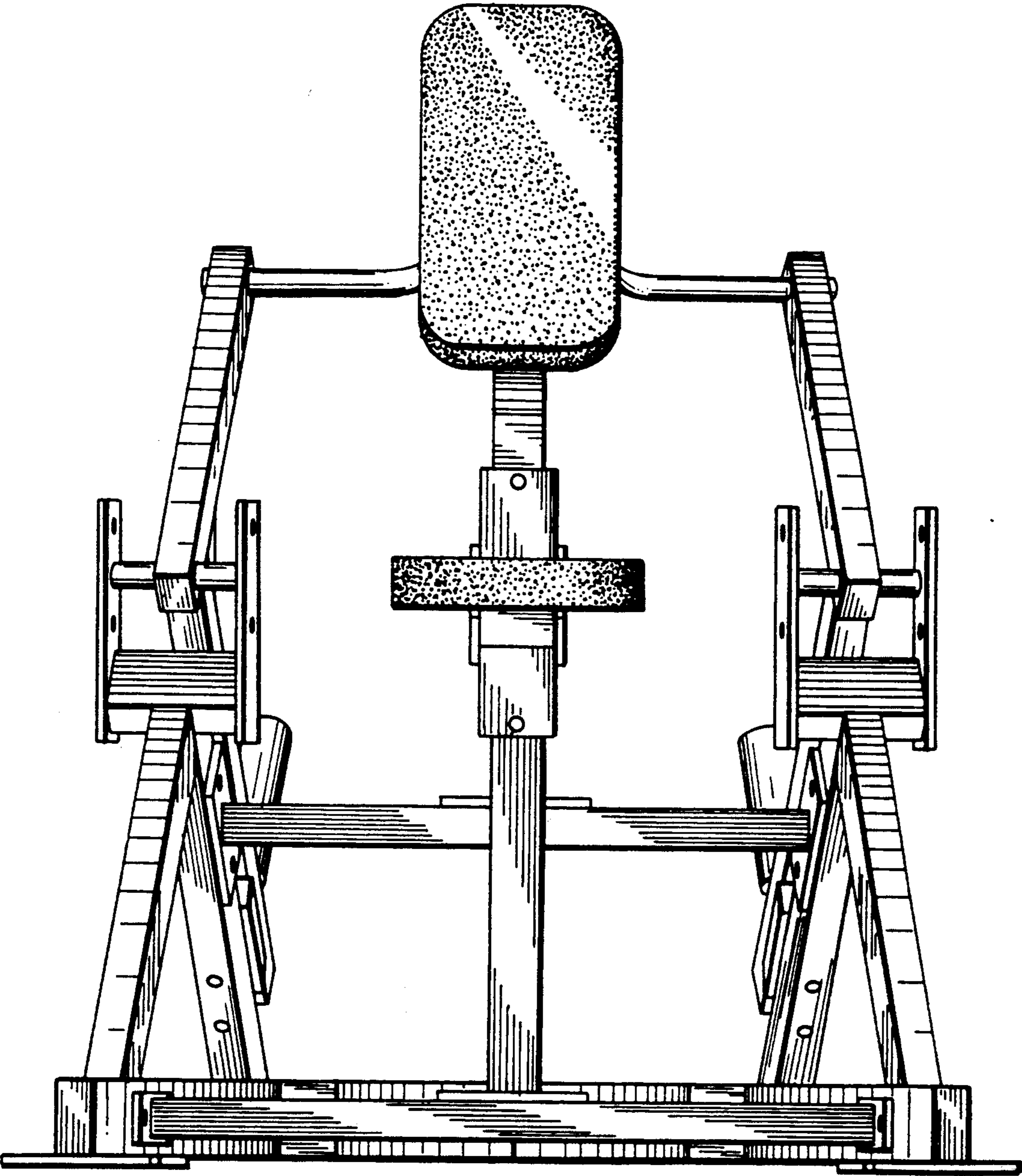


FIG. 2

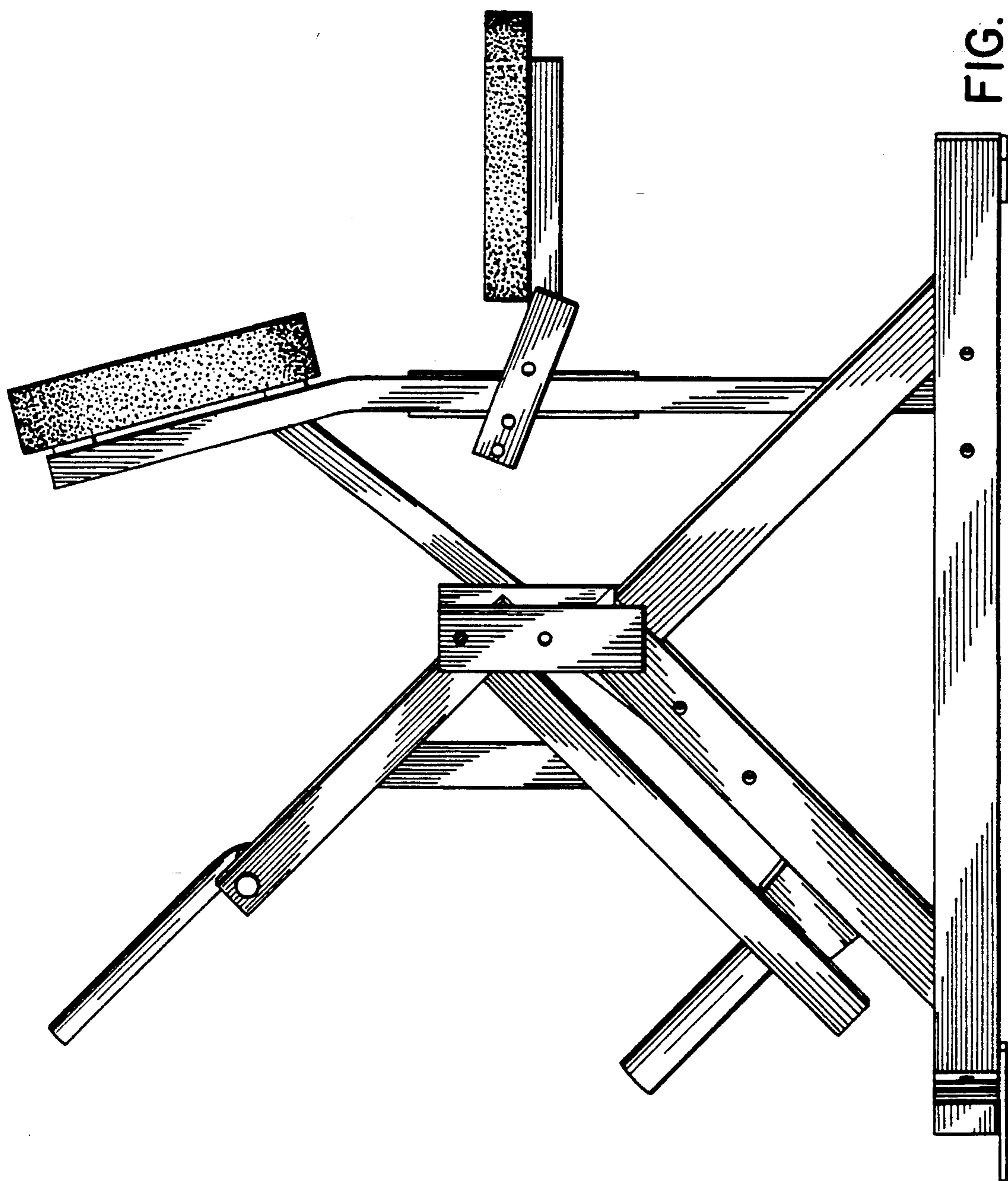


FIG. 3

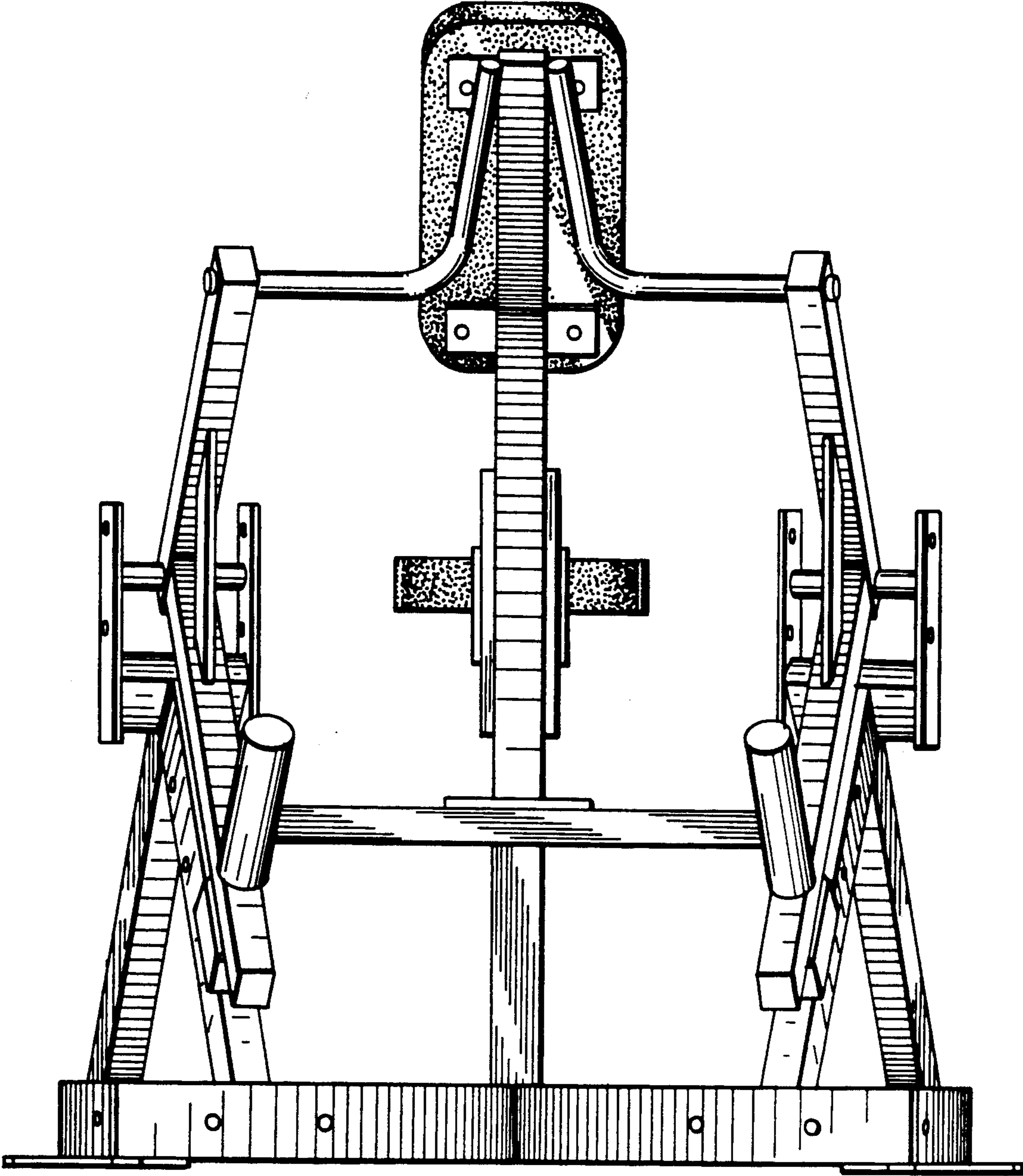
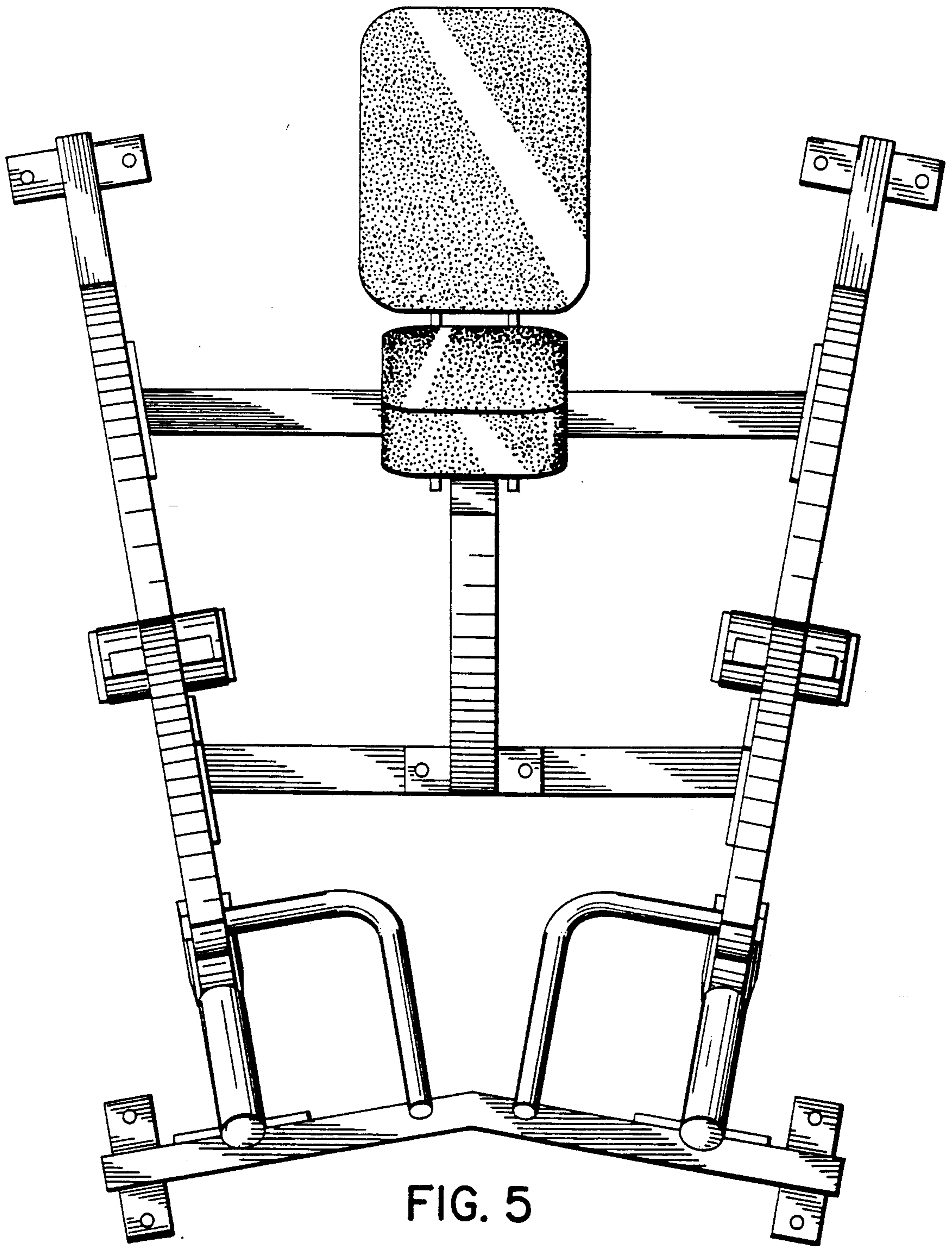


FIG. 4



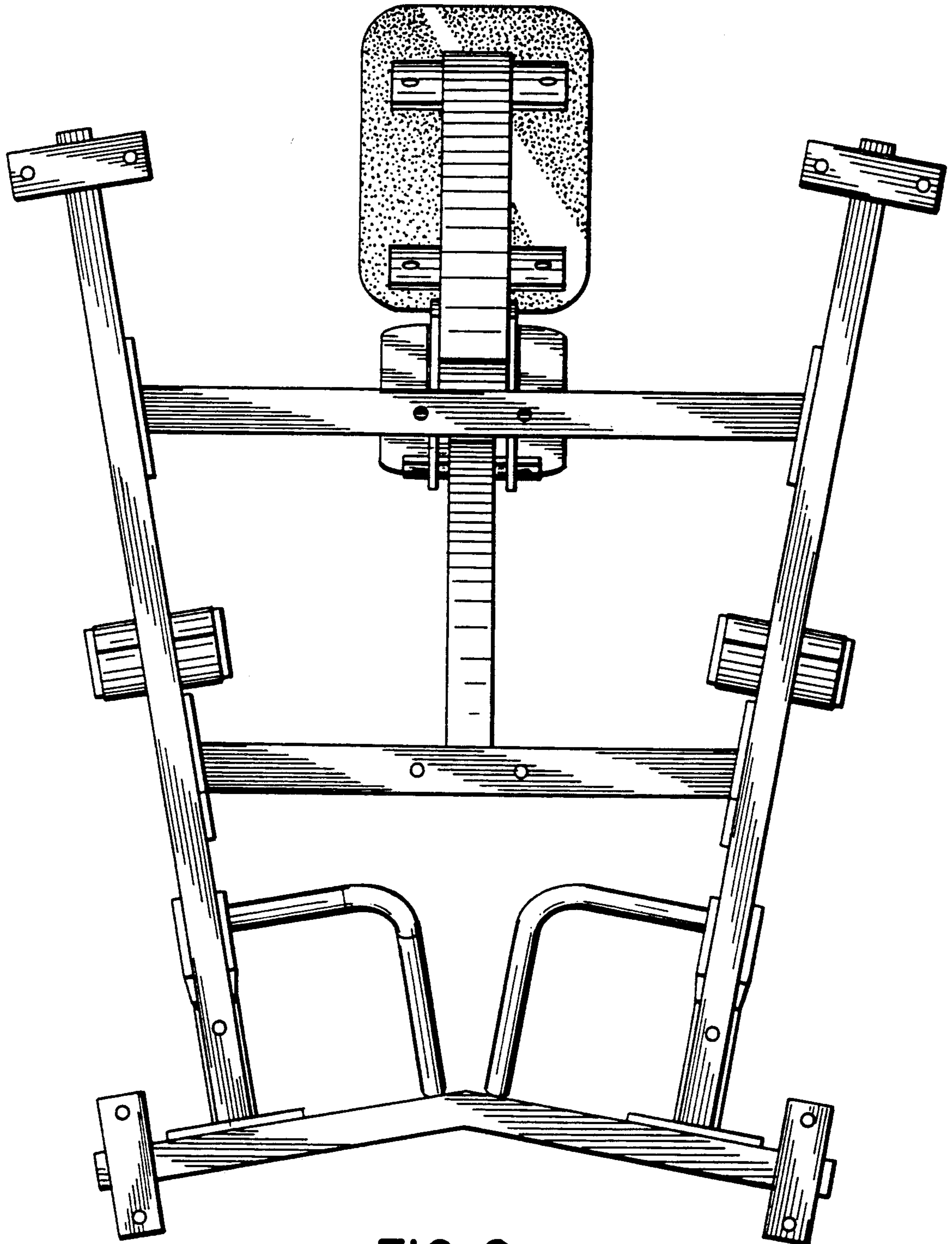


FIG. 6