

[54] ISOLATERAL DUMBBELL PRESS
EXERCISE MACHINE

[75] Inventor: Gary A. Jones, Falmouth, Ky.

[73] Assignee: Hammer Corporation, Cincinnati,
Ohio

[**] Term: 14 Years

[21] Appl. No.: 360,716

[22] Filed: Jun. 1, 1989

[52] U.S. Cl. D21/195

[58] Field of Search D21/191-199;
273/93, 99, 125, 130, 133, 134, 143, 144, 142,
118

[56] References Cited

U.S. PATENT DOCUMENTS

D. 239,301 3/1976 Clarke D21/195

D. 239,642 4/1976 Clarke D21/195
D. 289,783 5/1987 Pappinen D21/195
D. 291,338 8/1987 Ringel et al. D21/191
4,799,671 1/1989 Hoggan et al. .

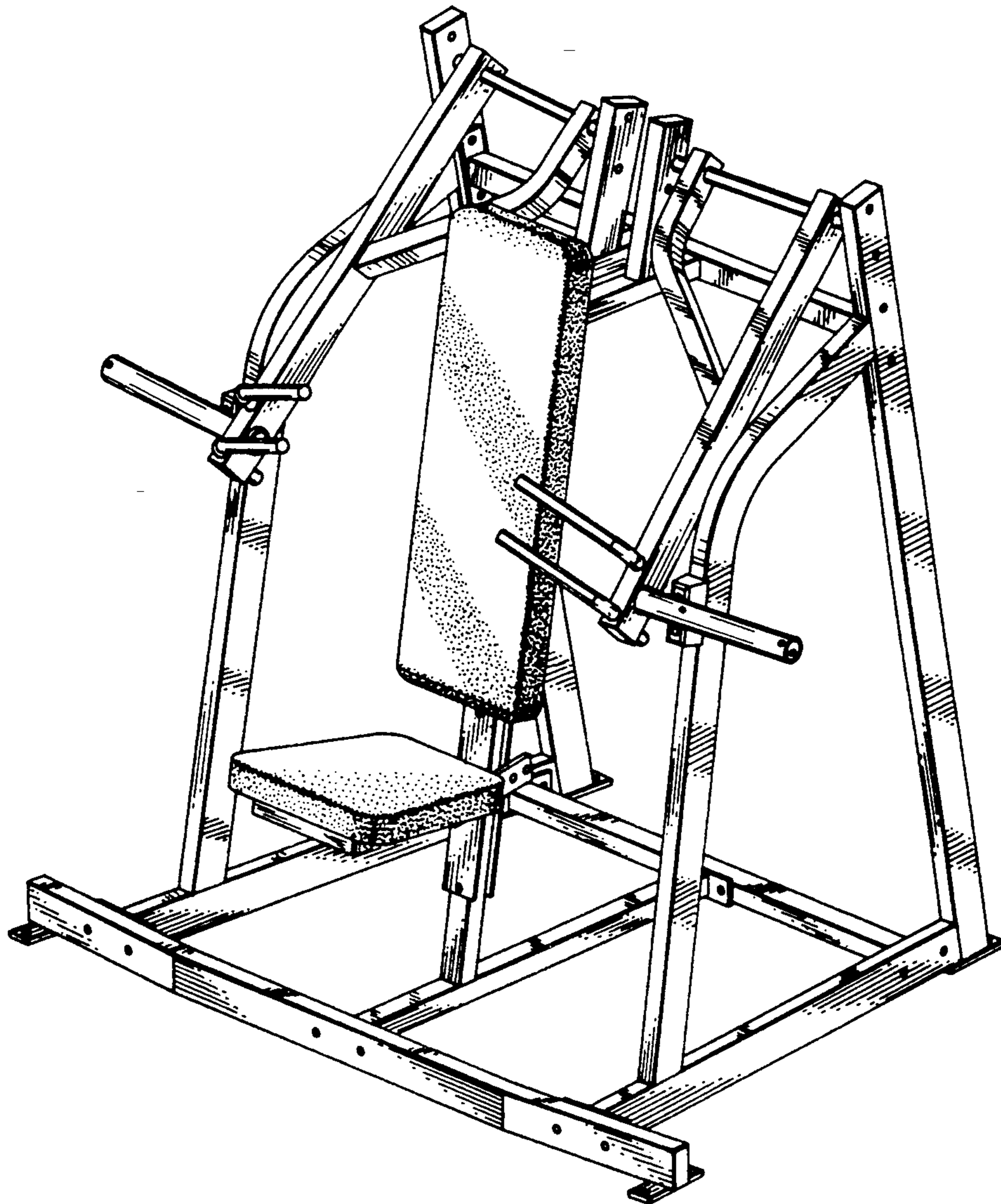
Primary Examiner—Charles A. Rademaker
Attorney, Agent, or Firm—Wood, Herron & Evans

[57] CLAIM

The ornamental design for an isolateral dumbbell press exercise machine, as shown and described.

DESCRIPTION

FIG. 1 is a perspective view of an isolateral dumbbell press exercise machine embodying my new design.
FIG. 2 is a front elevational view thereof.
FIG. 3 is a side elevational view thereof, the opposite side being a mirror image thereof.
FIG. 4 is a rear elevational view thereof.
FIG. 5 is a top plan view thereof.
FIG. 6 is a bottom plan view thereof.



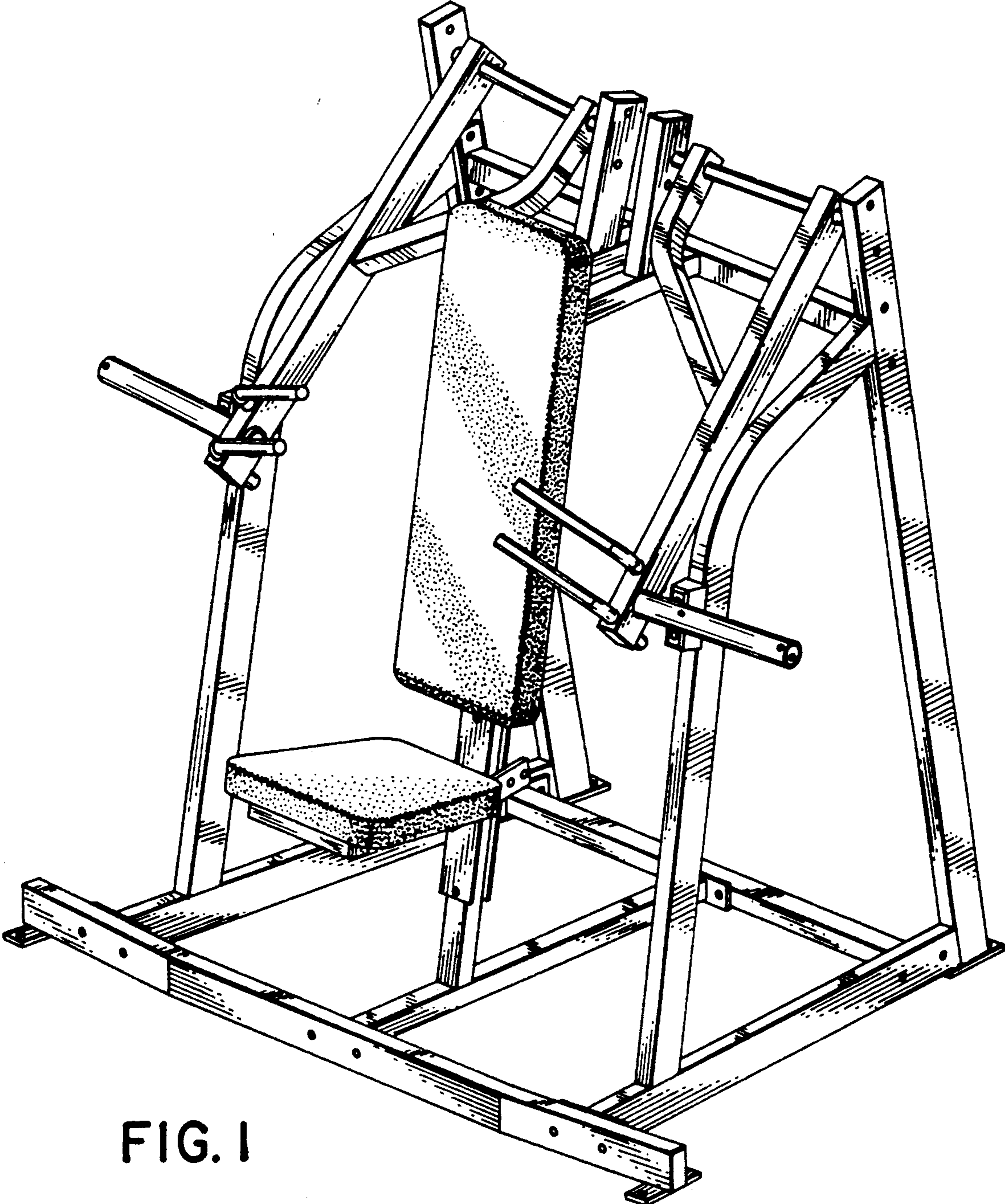
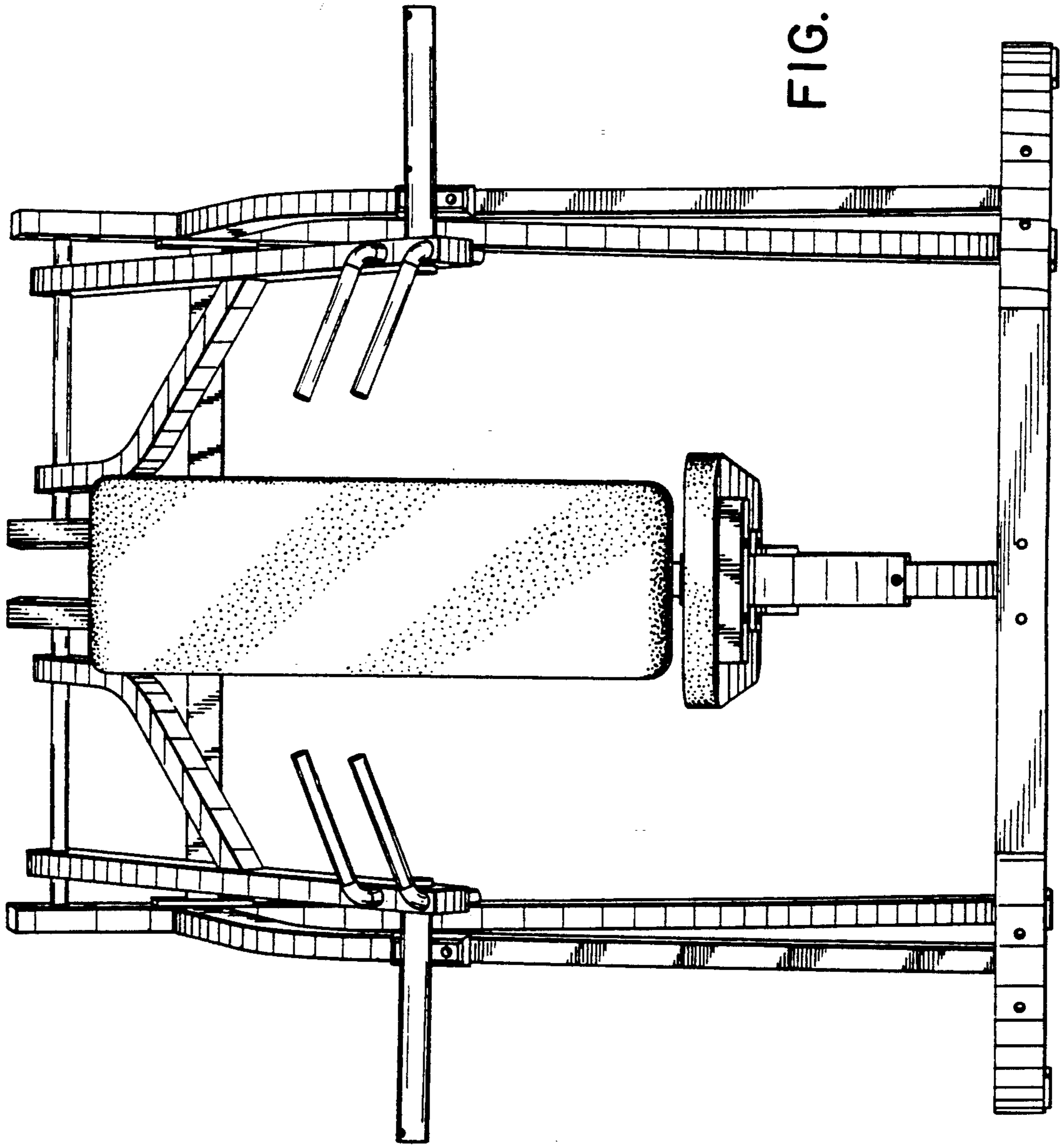


FIG. 1



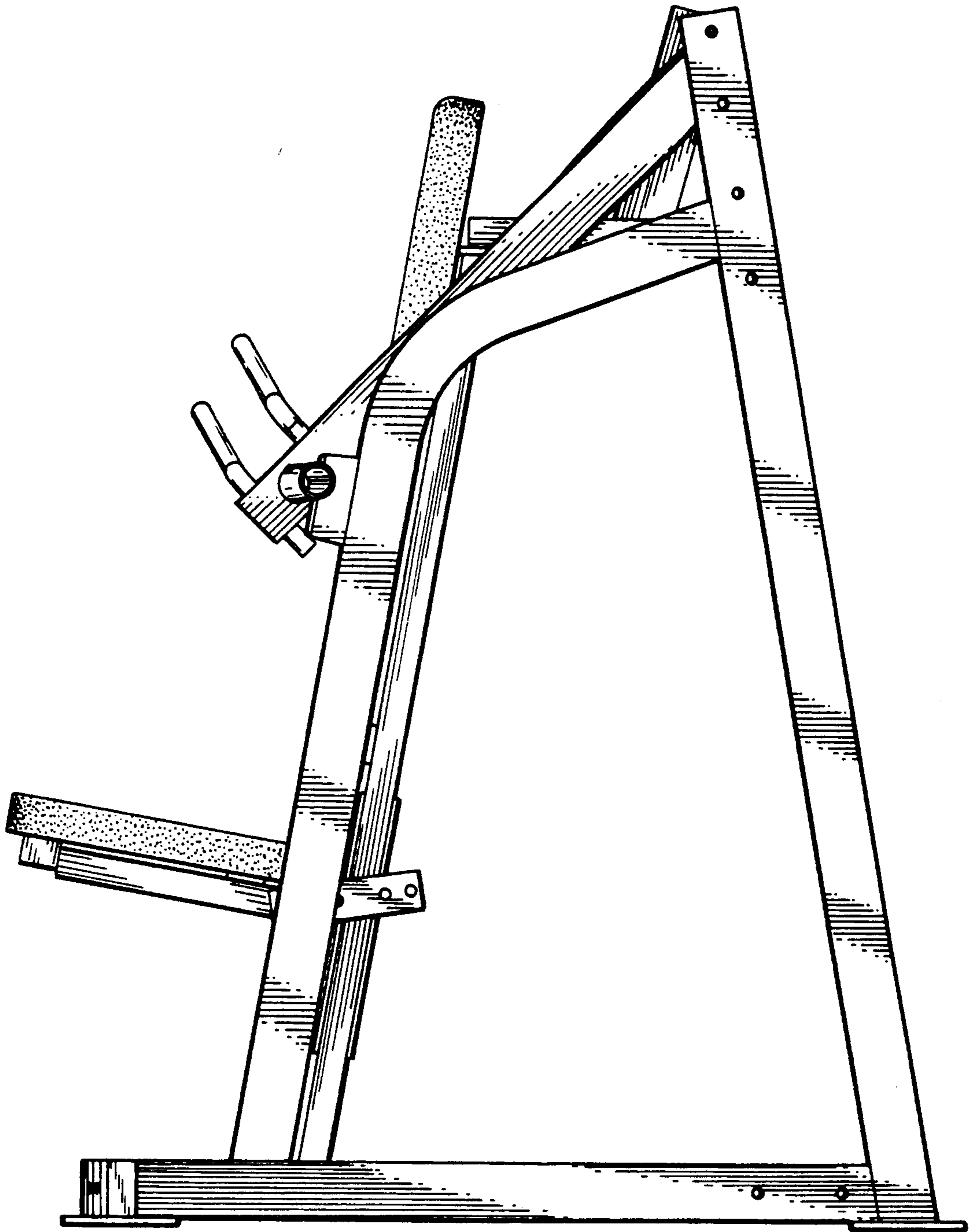
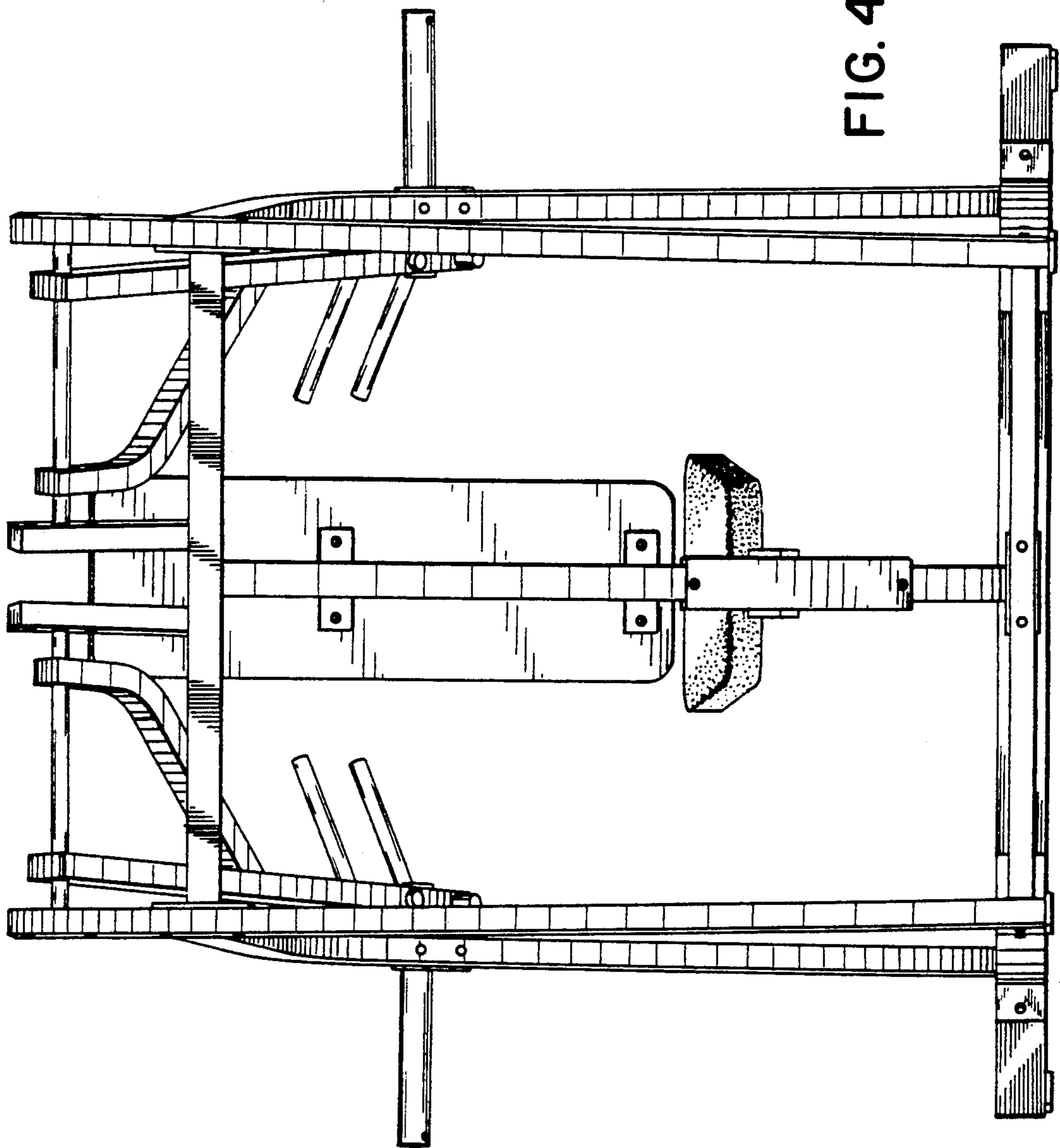


FIG. 3



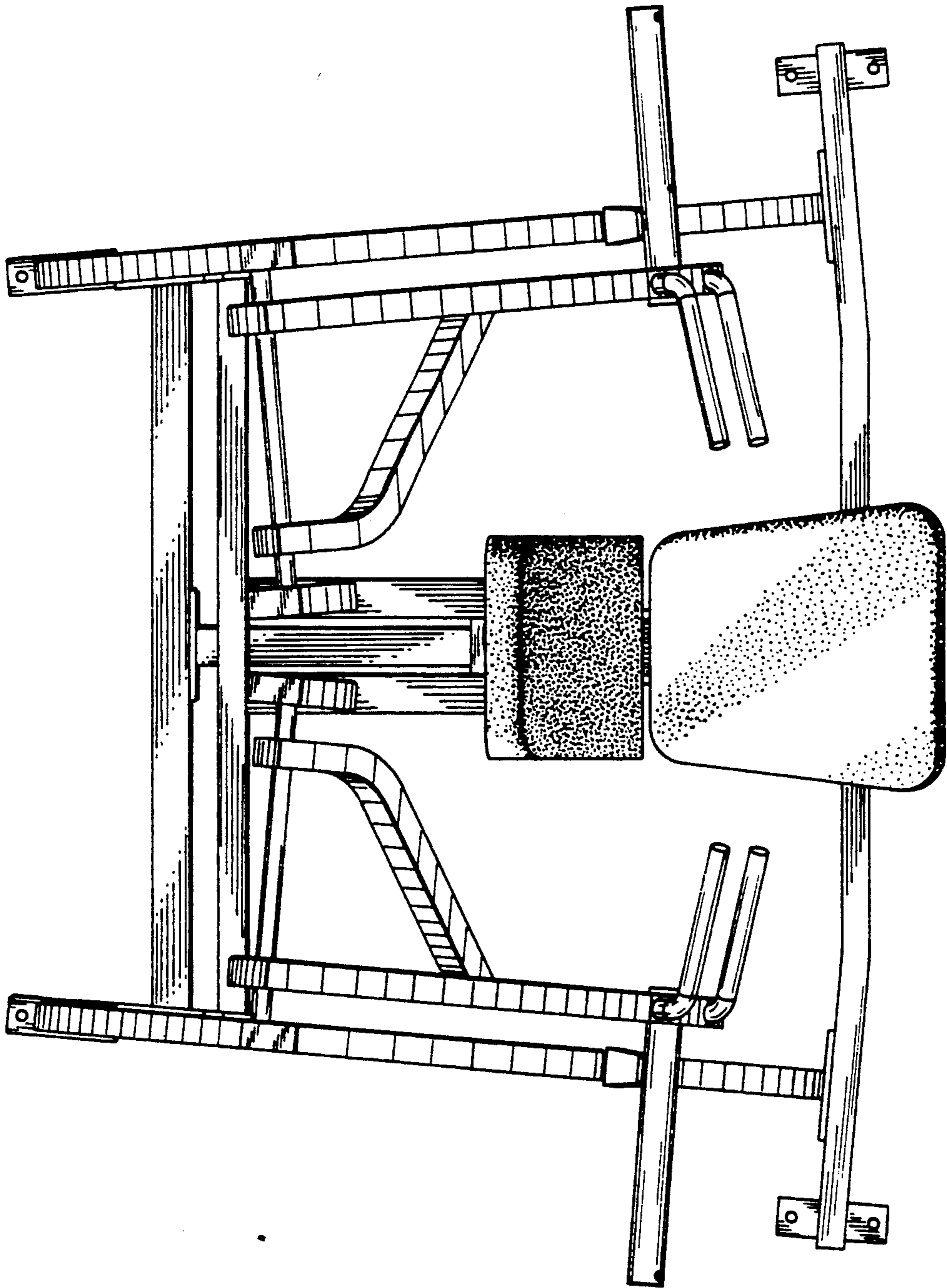


FIG. 5

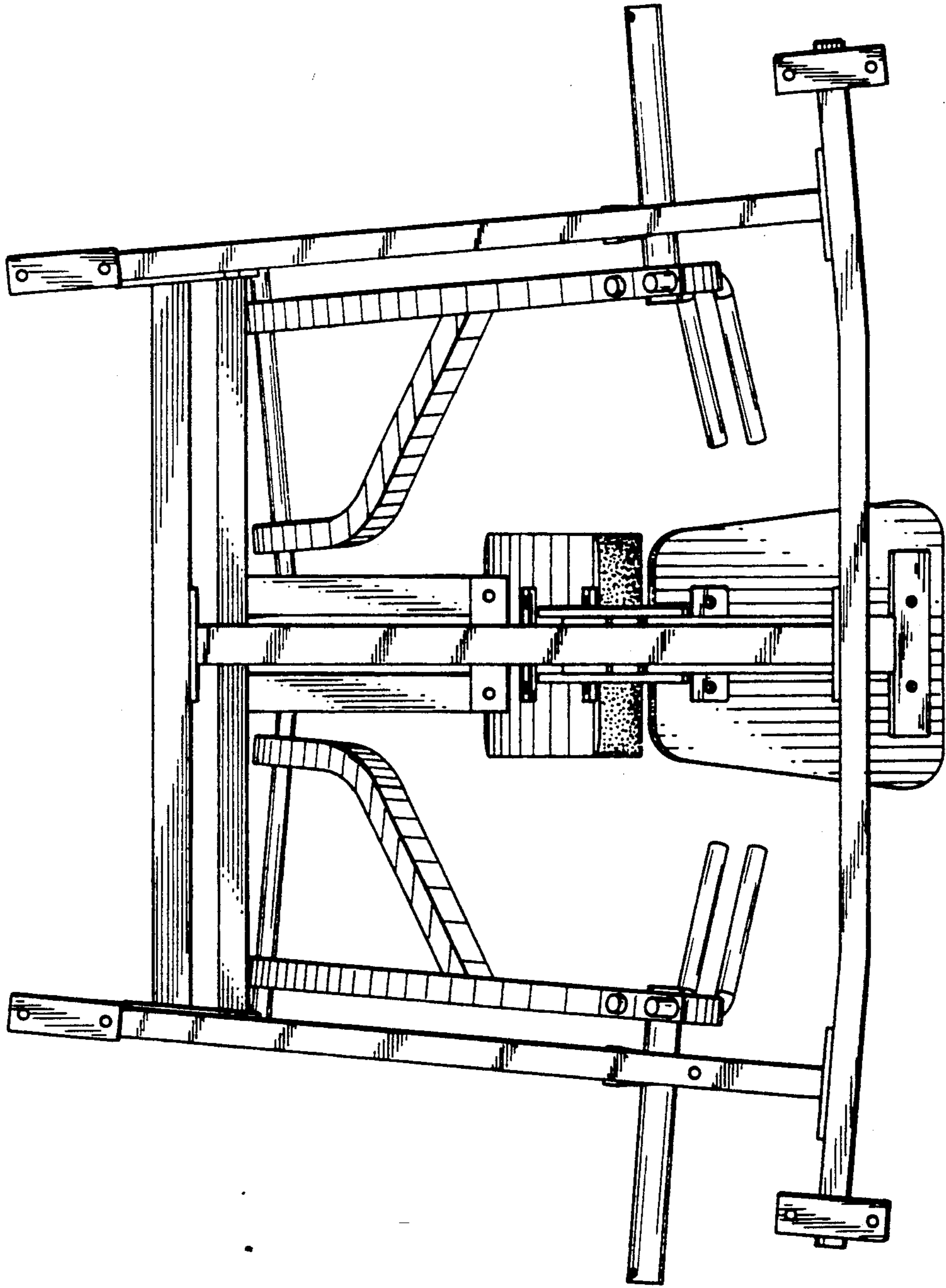


FIG. 6