

[54] MULTI-STATION PHYSICAL EXERCISER

[76] Inventor: Jerry D. Brentham, P.O. Box 599, 2121 Industrial Park, Belton, Tex. 76513

[\*\*] Term: 14 Years

[21] Appl. No.: 370,585

[22] Filed: Jun. 23, 1989

[52] U.S. Cl. .... D21/195

[58] Field of Search ..... D21/191-199; 273/93, 125, 130, 133, 134, 142, 143, 144

[56] References Cited

U.S. PATENT DOCUMENTS

- D. 204,397 4/1966 Marcyan ..... D21/195
- D. 242,732 12/1976 Brentham .
- D. 255,136 5/1980 Brentham .

- D. 260,542 9/1981 Lambert ..... D21/195
- D. 263,978 4/1982 Brentham .
- D. 284,297 6/1986 Mahnke ..... D21/195
- 4,456,245 6/1984 Baldwin ..... 272/143
- 4,900,018 2/1990 Ish et al. .... 272/143

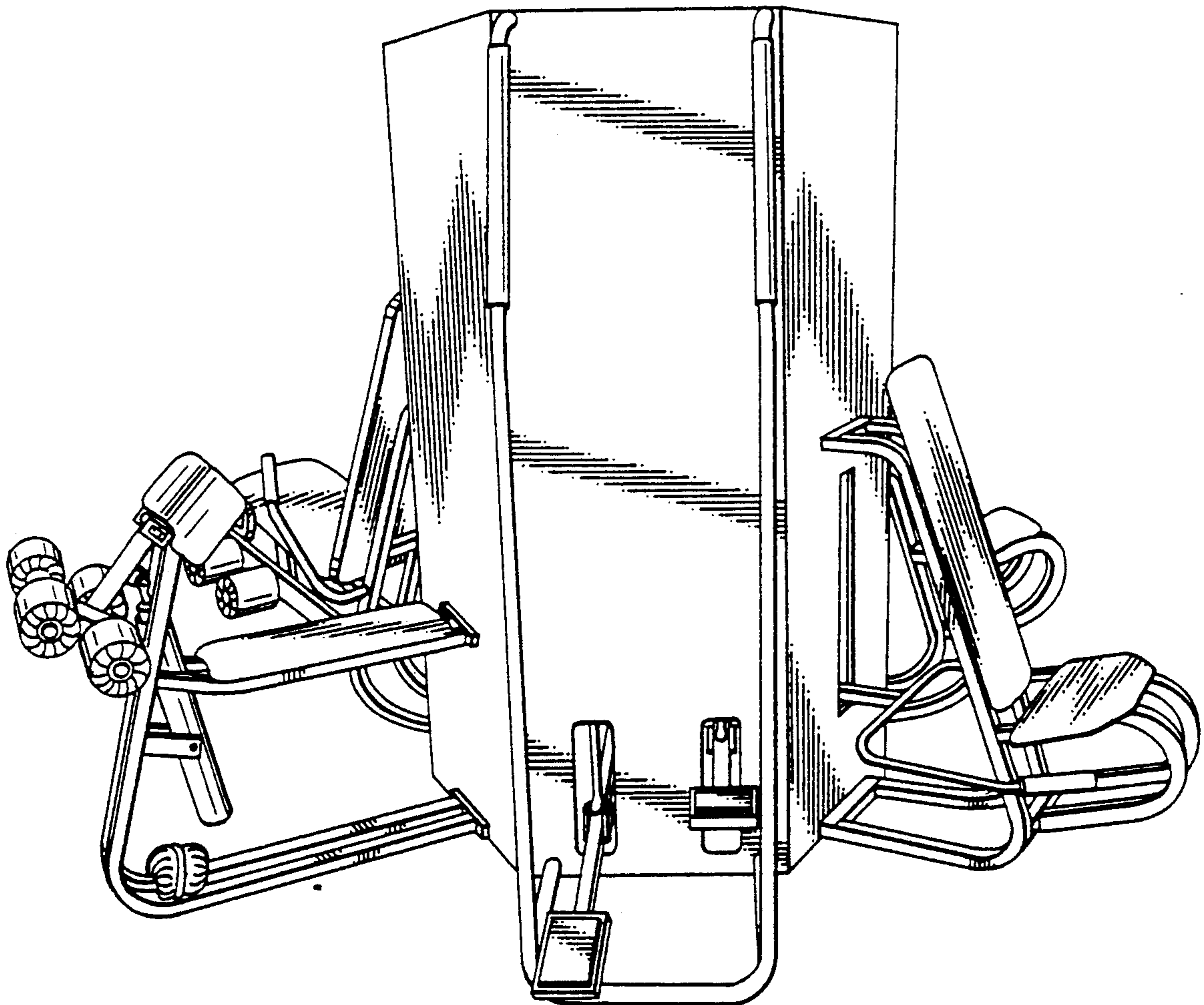
Primary Examiner—Charles A. Rademaker  
Attorney, Agent, or Firm—Crutsinger & Booth

[57] CLAIM

The ornamental design for multi-station physical exerciser, as shown and described.

DESCRIPTION

FIG. 1 is a top plan view of a multi-station physical exerciser showing my new design; FIG. 2 is a front perspective view thereof; FIG. 3 is a left side perspective view thereof; FIG. 4 is a rear perspective view thereof; FIG. 5 is another rear perspective view thereof; and, FIG. 6 is another front perspective view thereof.



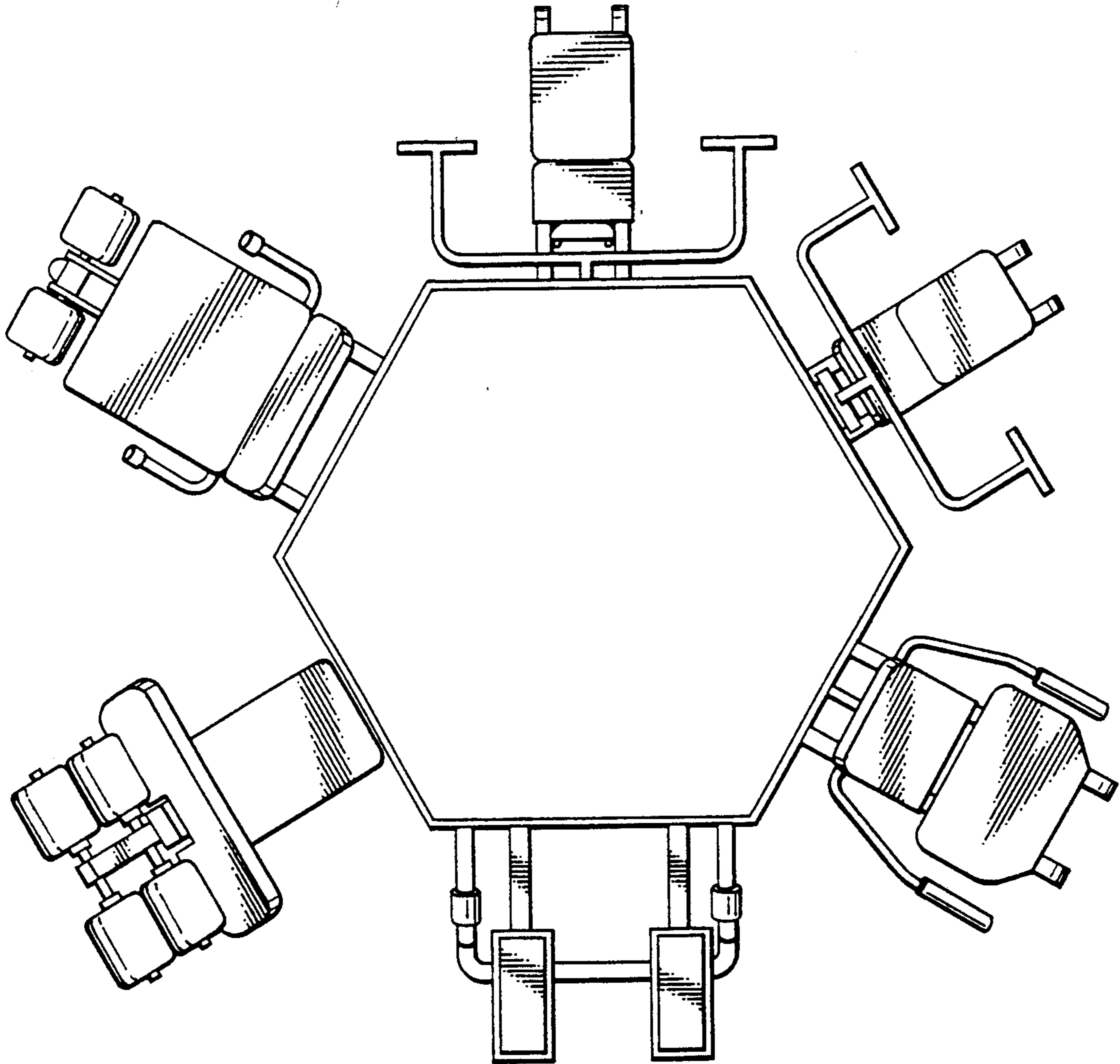


FIG. 1

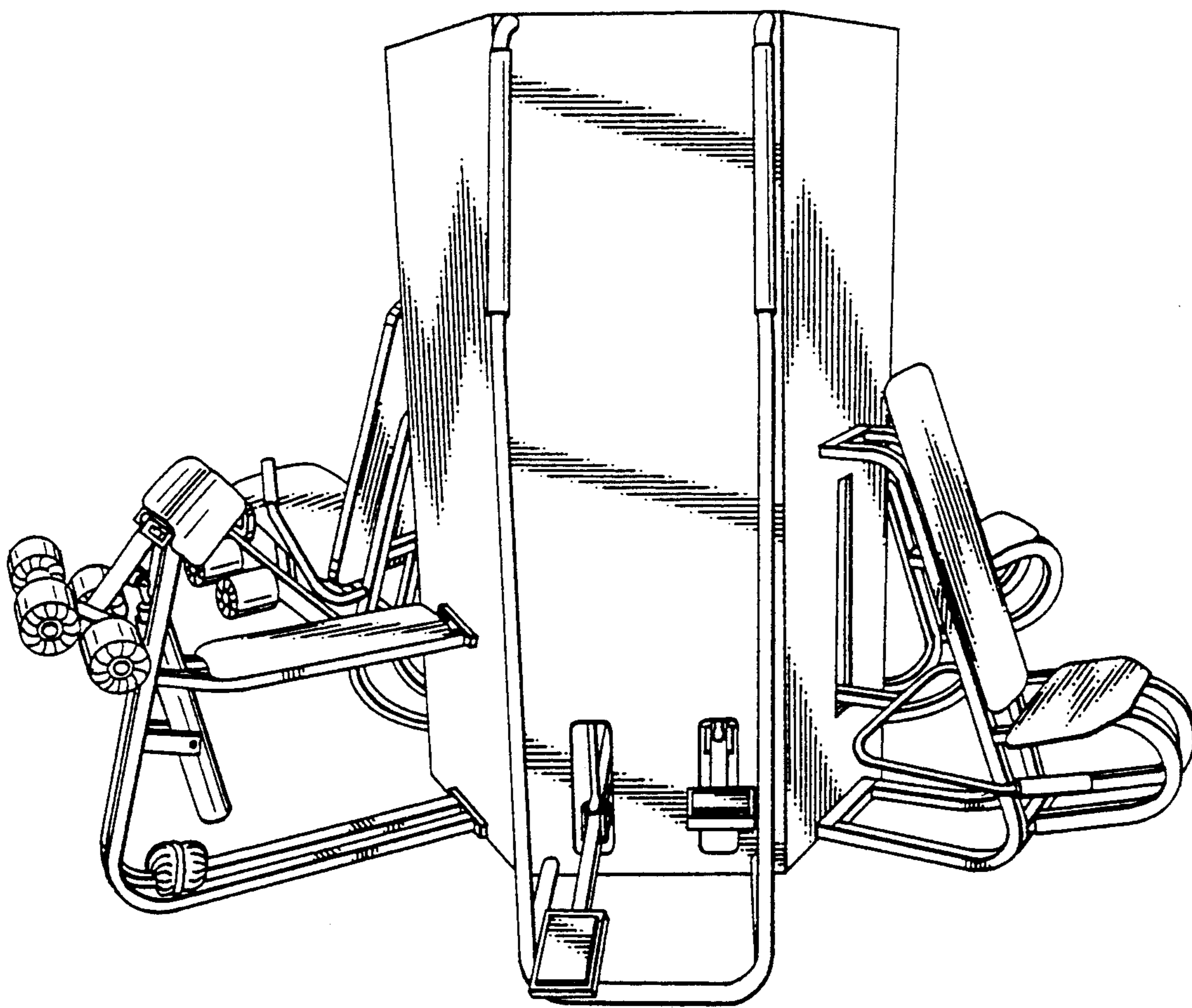


FIG. 2

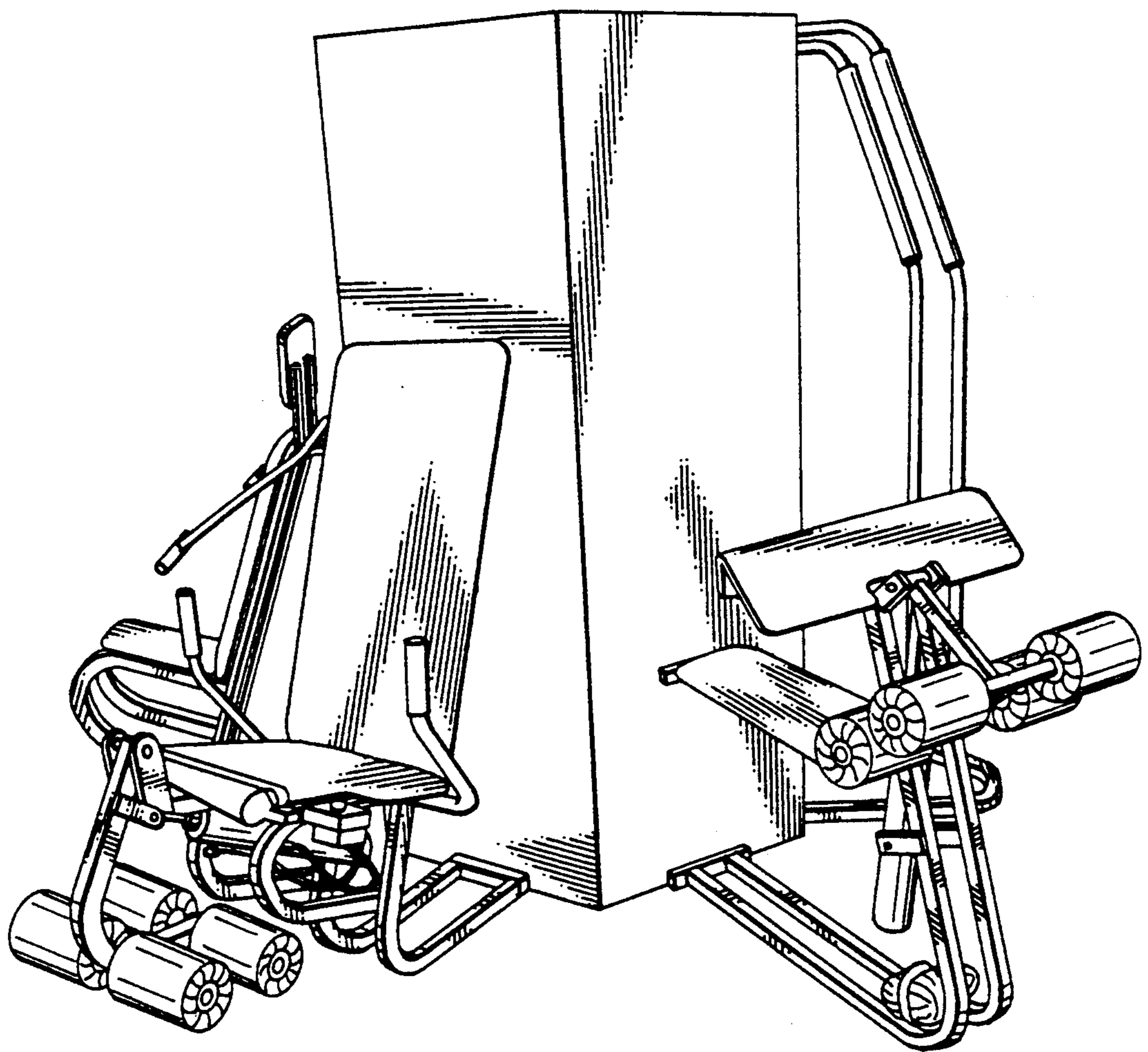


FIG. 3

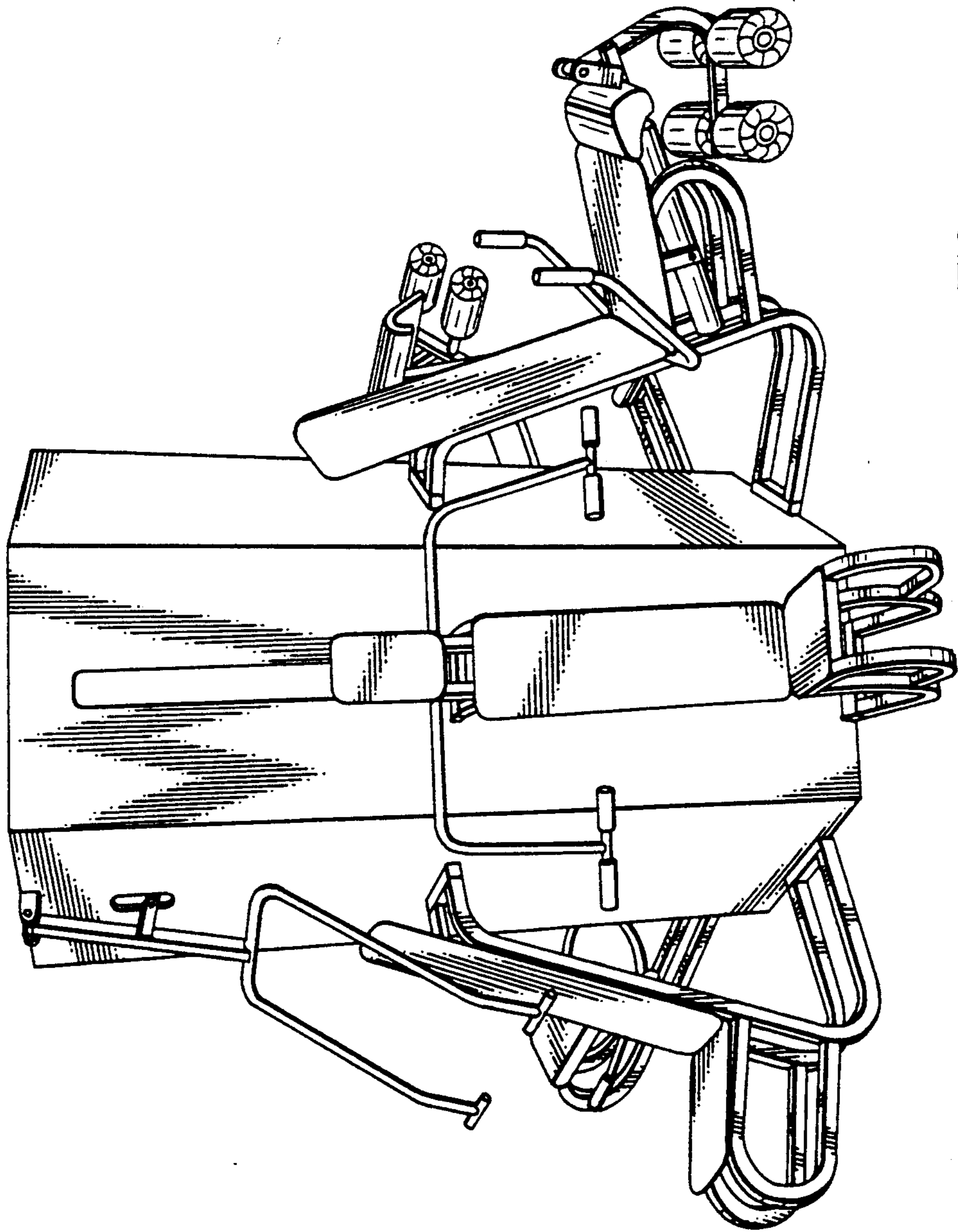


FIG. 4

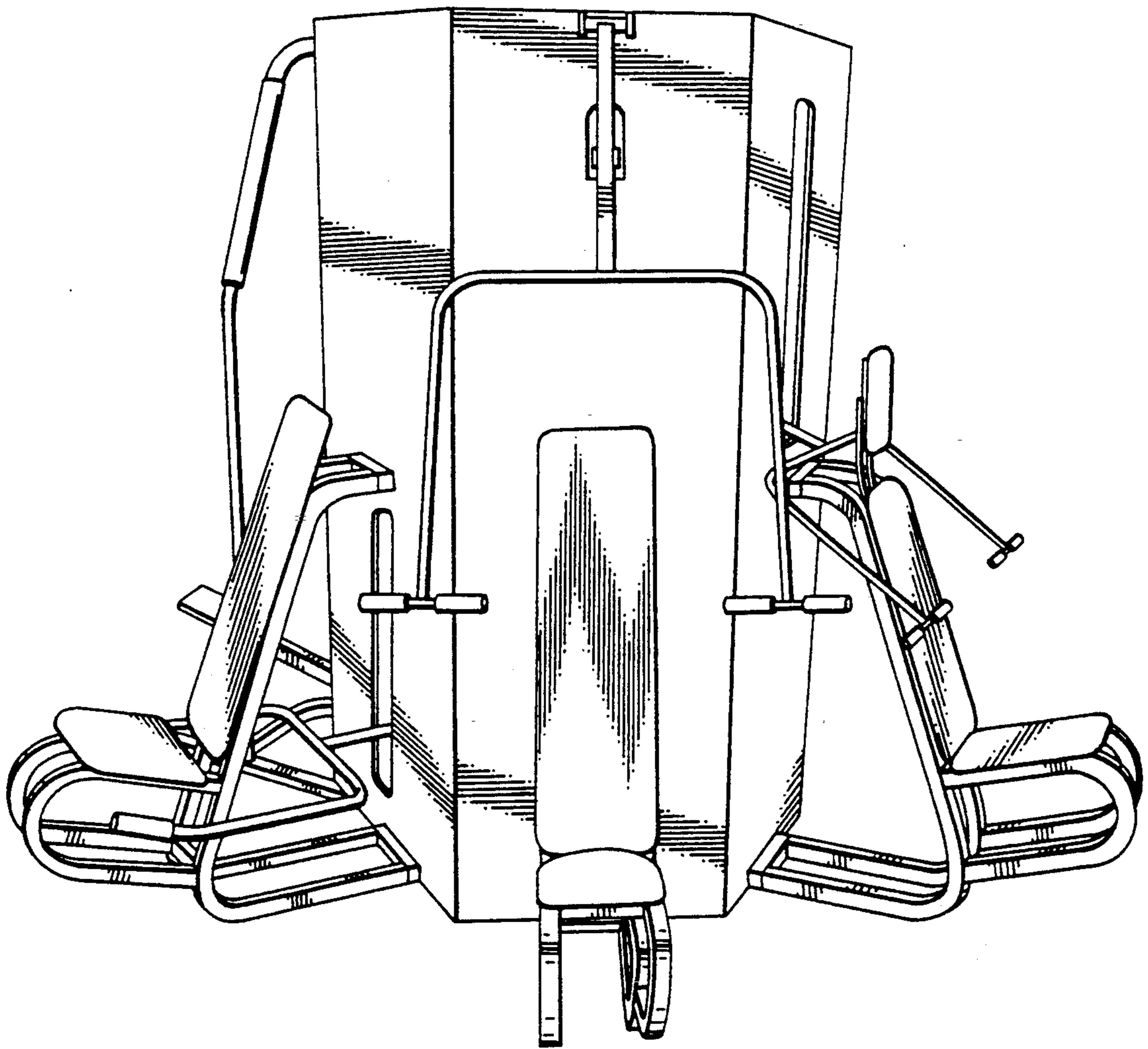


FIG. 5

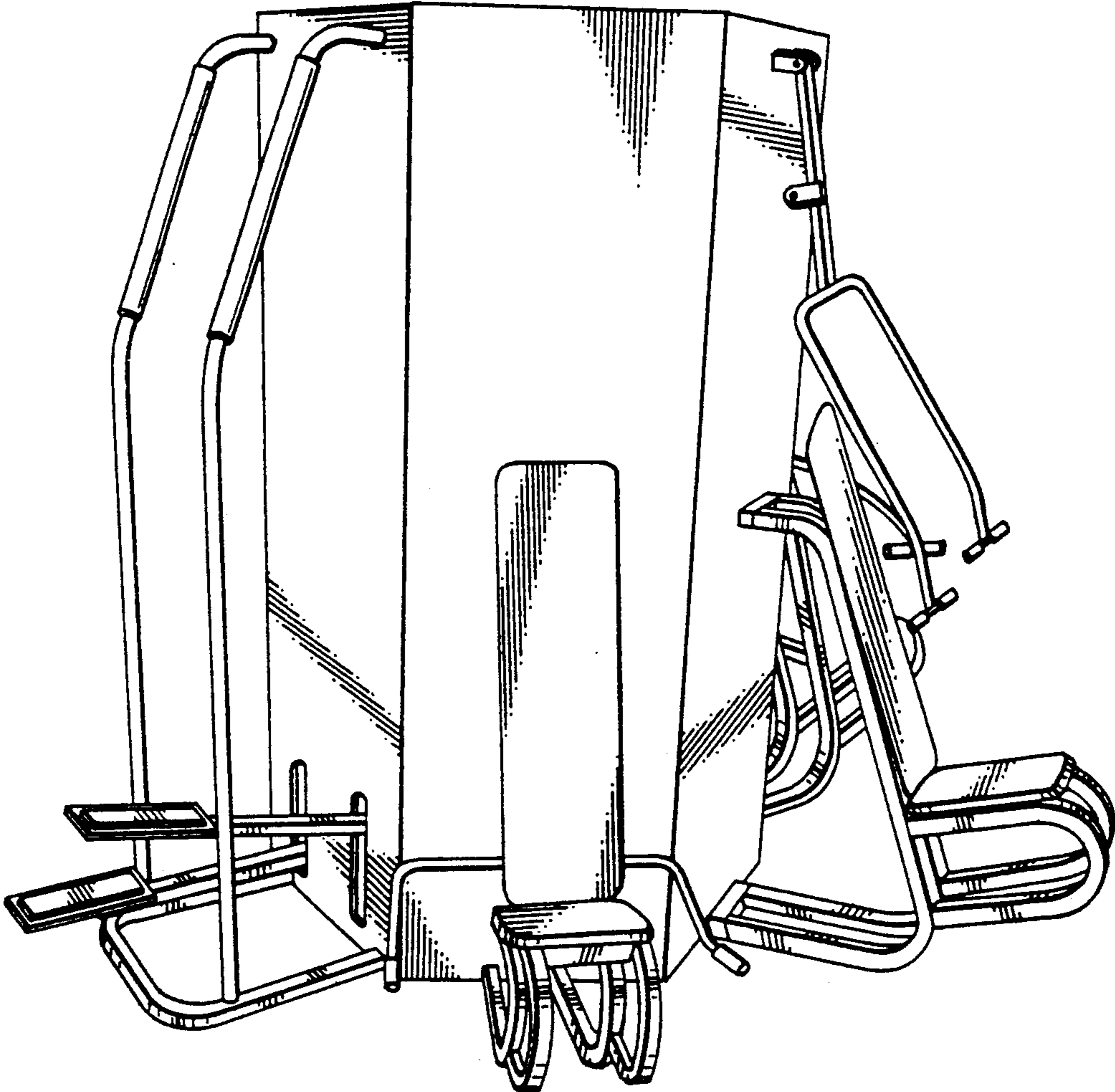


FIG. 6