

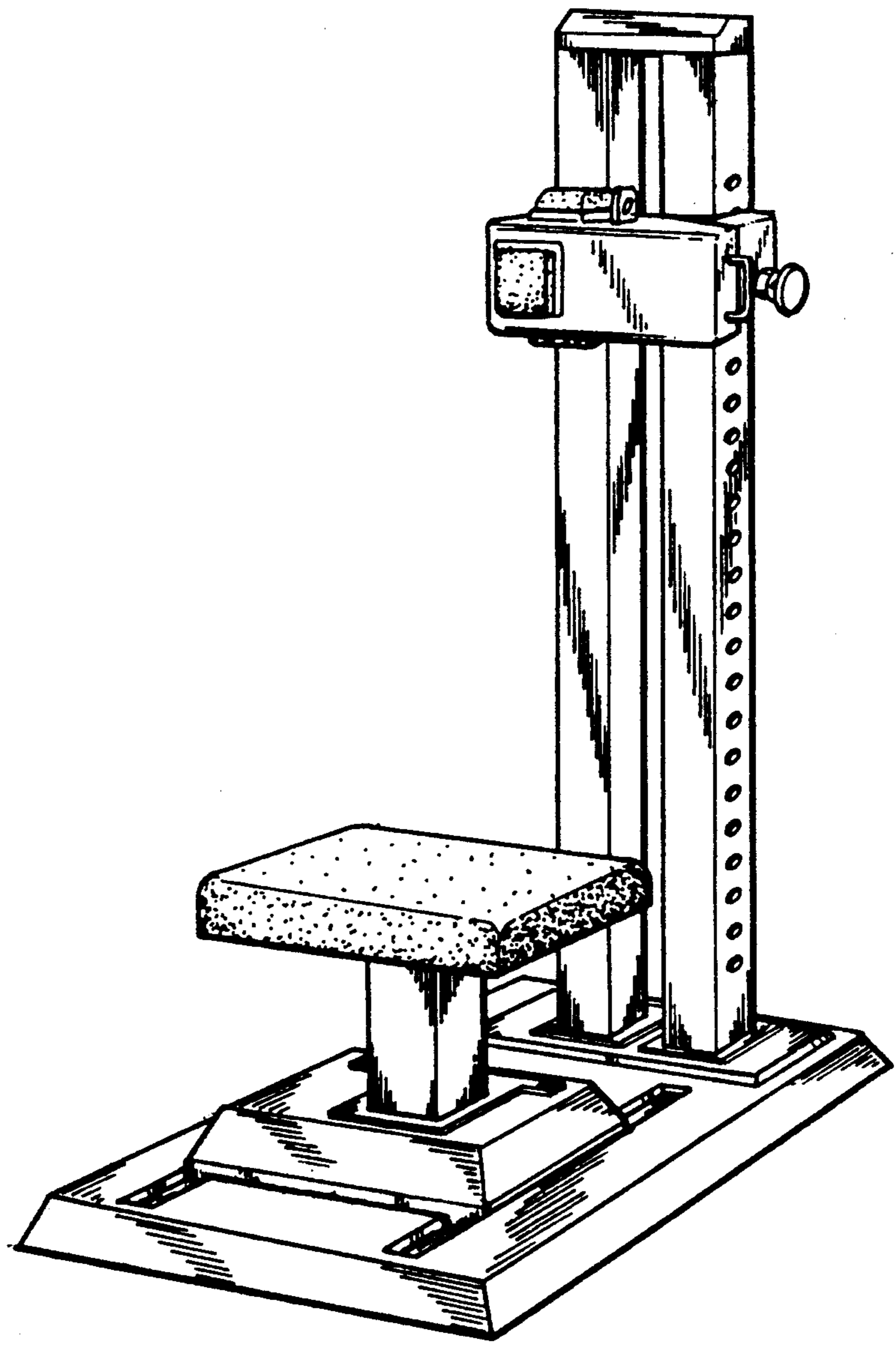
[54] MUSCLE TESTING MACHINE
[76] Inventor: David R. Schultz, 12600 San Pablo Ave., Richmond, Calif. 94805
[**] Term: 14 Years
[21] Appl. No.: 260,487
[22] Filed: Oct. 21, 1988
[52] U.S. Cl. D21/191
[58] Field of Search D21/191-199;
D10/83, 84, 85; 128/25 R, 61, 733, 752, 774,
782, 76, 80 R; 273/125, 140, 141, 142, 143, 144

[56] **References Cited**
U.S. PATENT DOCUMENTS
D. 211,831 7/1968 Berne D10/83
3,752,144 8/1973 Weigle, Jr. .

4,720,093 1/1988 Del Mar 128/25 R
4,732,038 3/1988 Del Giorno et al. .
4,802,462 2/1989 Reiss et al. 128/25 R
Primary Examiner—Charles A. Rademaker
Attorney, Agent, or Firm—Donald L. Beeson

[57] **CLAIM**
The ornamental design for a muscle testing machine, as shown.

DESCRIPTION
FIG. 1 is a perspective view of a muscle testing machine showing my new design;
FIG. 2 is a front elevational view thereof;
FIG. 3 is a right side elevational view thereof;
FIG. 4 is a left side elevational view thereof;
FIG. 5 is a rear elevational view thereof; and
FIG. 6 is a top plan view thereof.



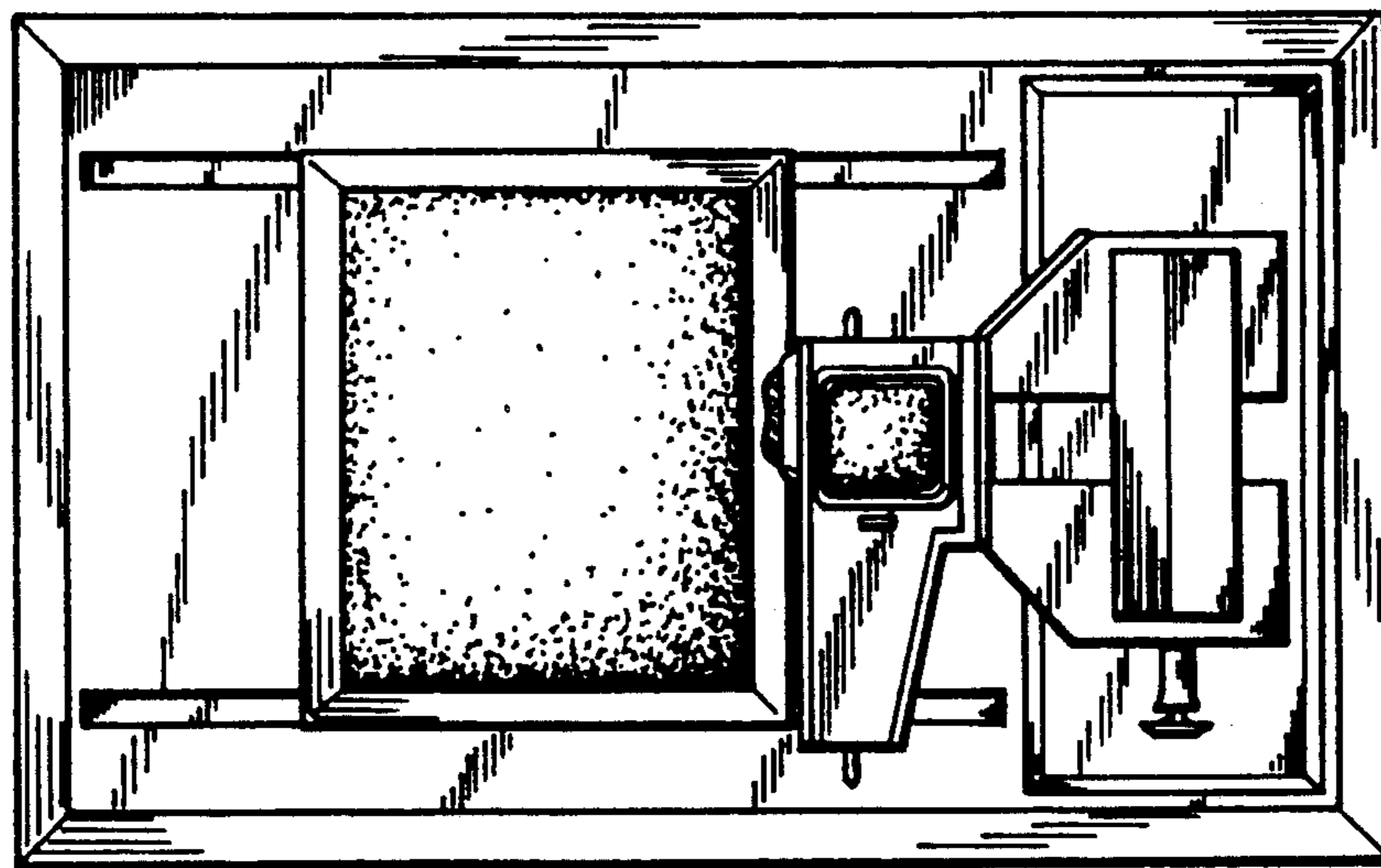
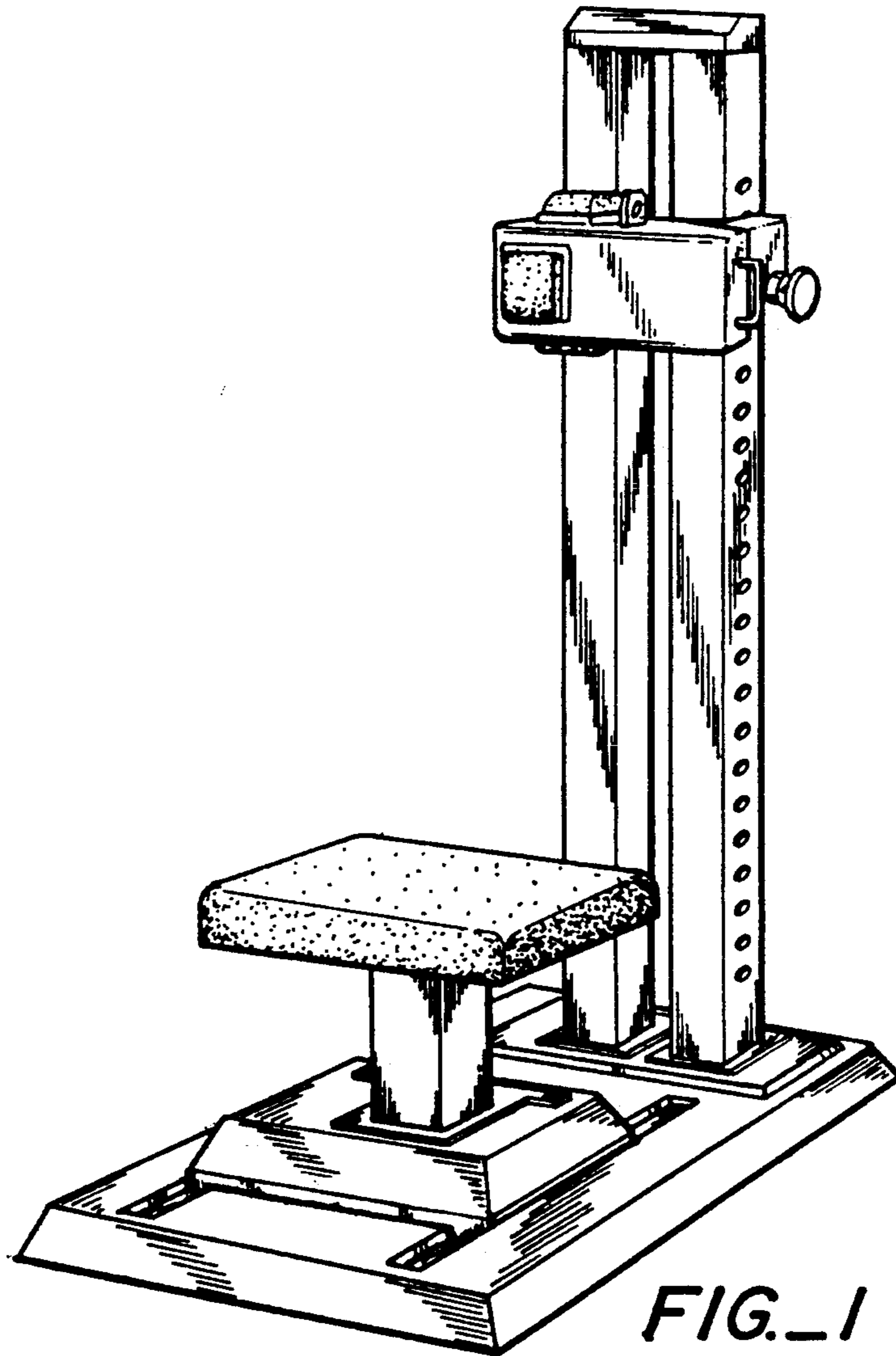


FIG. 6

FIG.-3

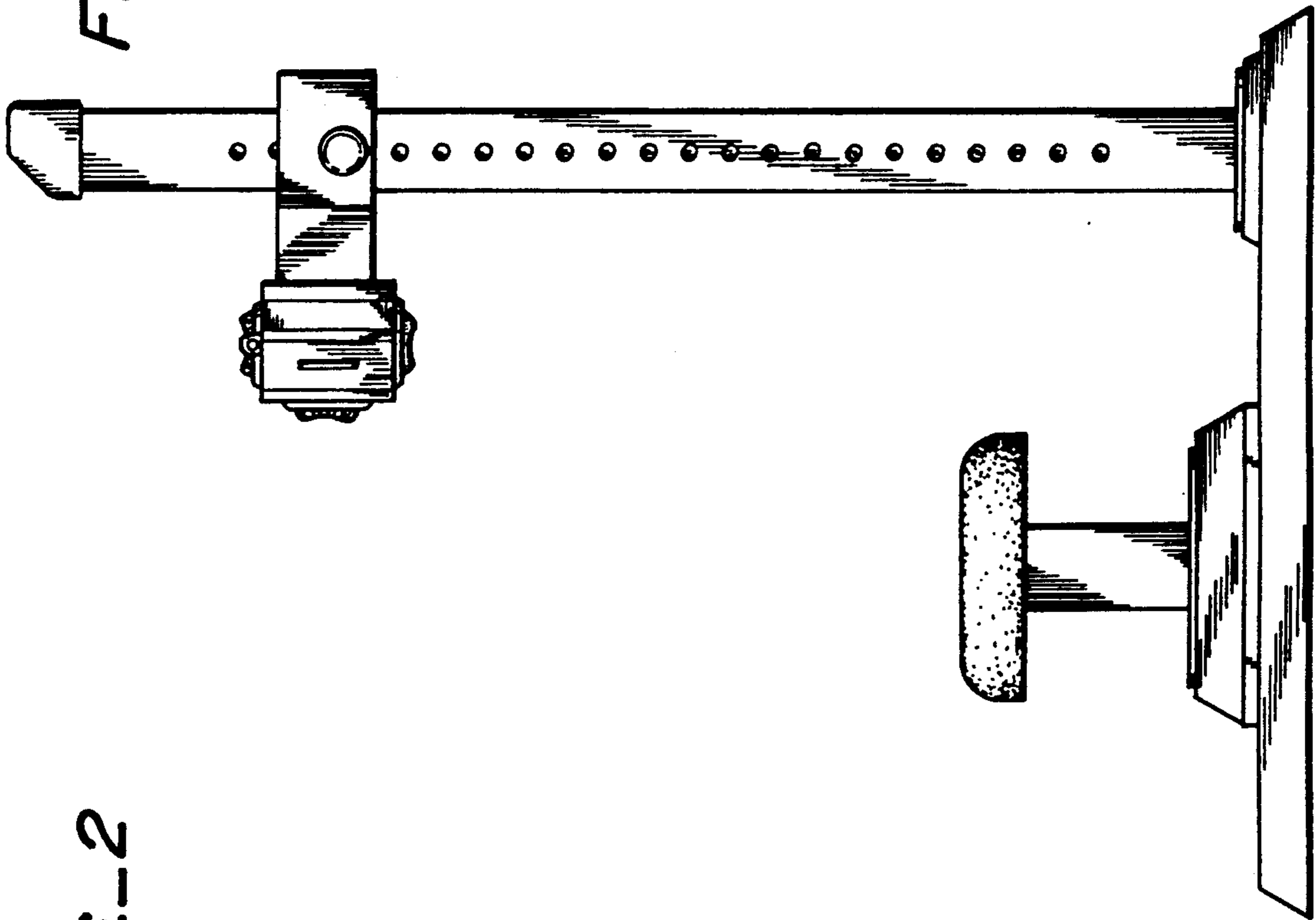


FIG.-2

