

[54] **DESK ORGANIZER CAROUSEL**

[76] **Inventor:** Harold E. Blossom, 5101 Stagehouse Trail, Madison, Wis. 53714

[\*\*] **Term:** 14 Years

[21] **Appl. No.:** 352,032

[22] **Filed:** May 15, 1989

[52] **U.S. Cl.** ..... D19/78; D19/75;  
D19/85; D19/90

[58] **Field of Search** ..... D19/35, 36, 65, 75,  
D19/77, 78, 86, 90, 81-85; 206/214, 371;  
211/10, 11, 45, 50, 69.1-69.9

[56] **References Cited**

**U.S. PATENT DOCUMENTS**

D. 173,722	12/1954	Coté	.....	D19/85 X
D. 270,256	8/1983	Sankey	.....	D19/85 X
D. 279,385	6/1985	Lieberman	.....	D19/85 X
D. 290,852	7/1987	Wang	.....	D19/75
D. 296,568	7/1988	Nadeau	.....	D19/77

**OTHER PUBLICATIONS**

B A Pargh Co. Inc. 1985-86 Fall/Winter Catalog-see p. 553., Spin Rite Message Center-upper left-Desk Copy. B A Pargh Cop., Inc., 1985-86 Fall Winter Catalog-See p. 52 Roto Caddy-right center-Desk Copy. Highsmith Office Products-see p. 74 Item A19-329 upper right-Desk copy.

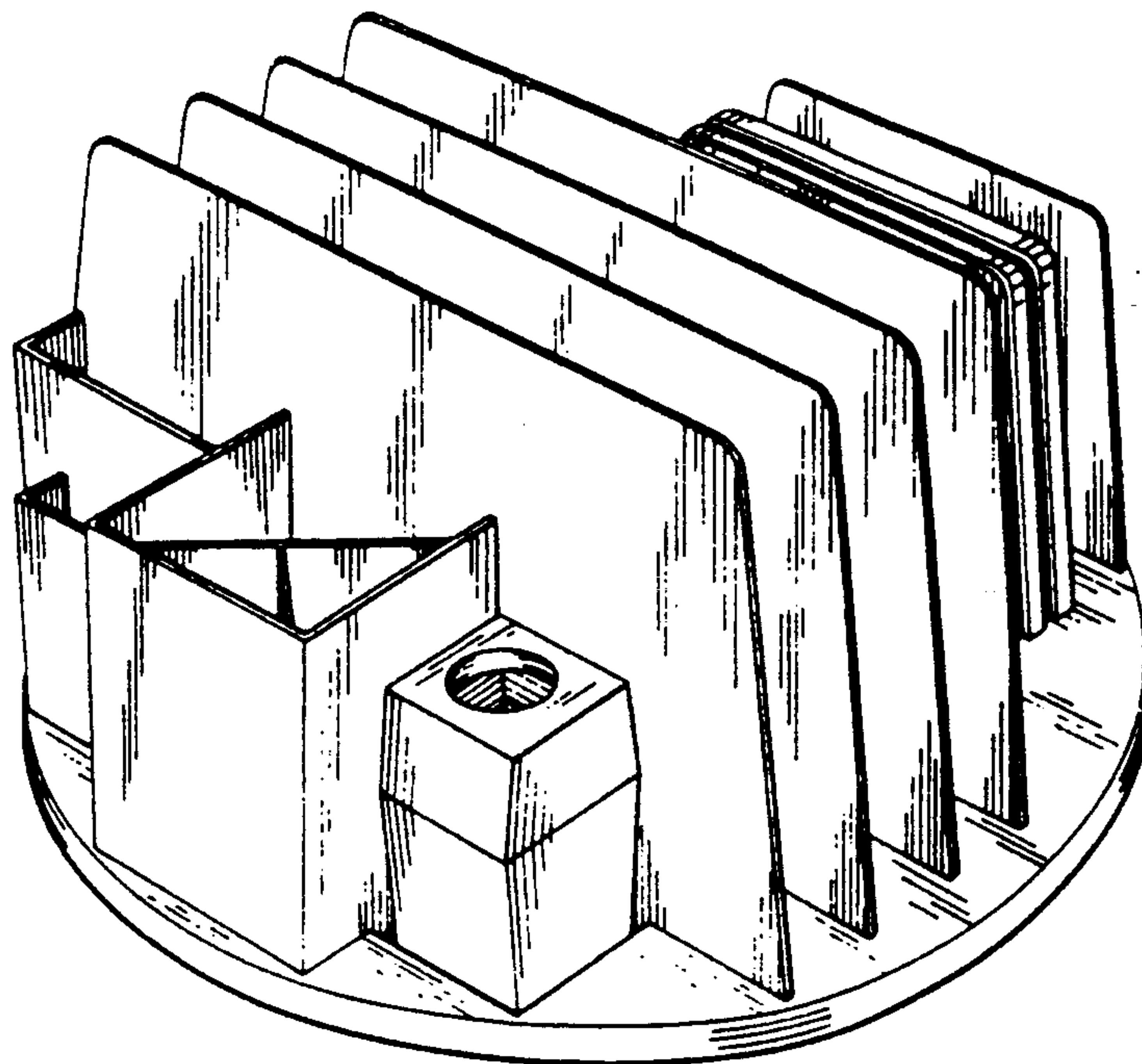
*Primary Examiner*—Bruce W. Dunkins  
*Assistant Examiner*—Martha Thompson  
*Attorney, Agent, or Firm*—Keith Schoff

[57] **CLAIM**

The ornamental design for a desk organizer carousel, as shown and described.

**DESCRIPTION**

FIG. 1 is a top, left front perspective view of a desk organizer carousel showing my new design; FIG. 2 is a top plan view; FIG. 3 is a front elevational view; FIG. 4 is a right side elevational view; FIG. 5 is a rear elevational view; FIG. 6 is a left side elevational view; and FIG. 7 is a bottom plan view thereof.



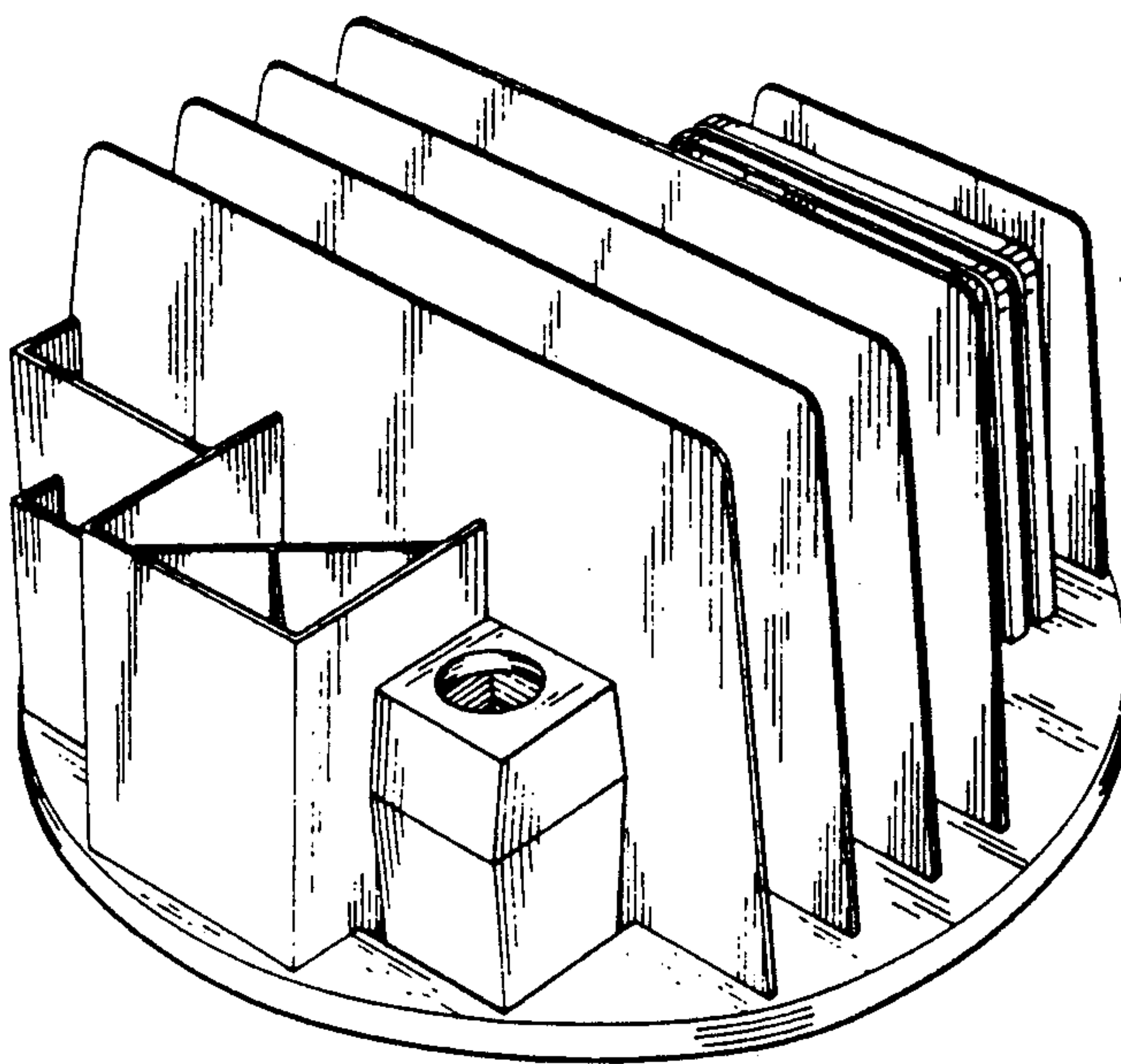


FIG. 1

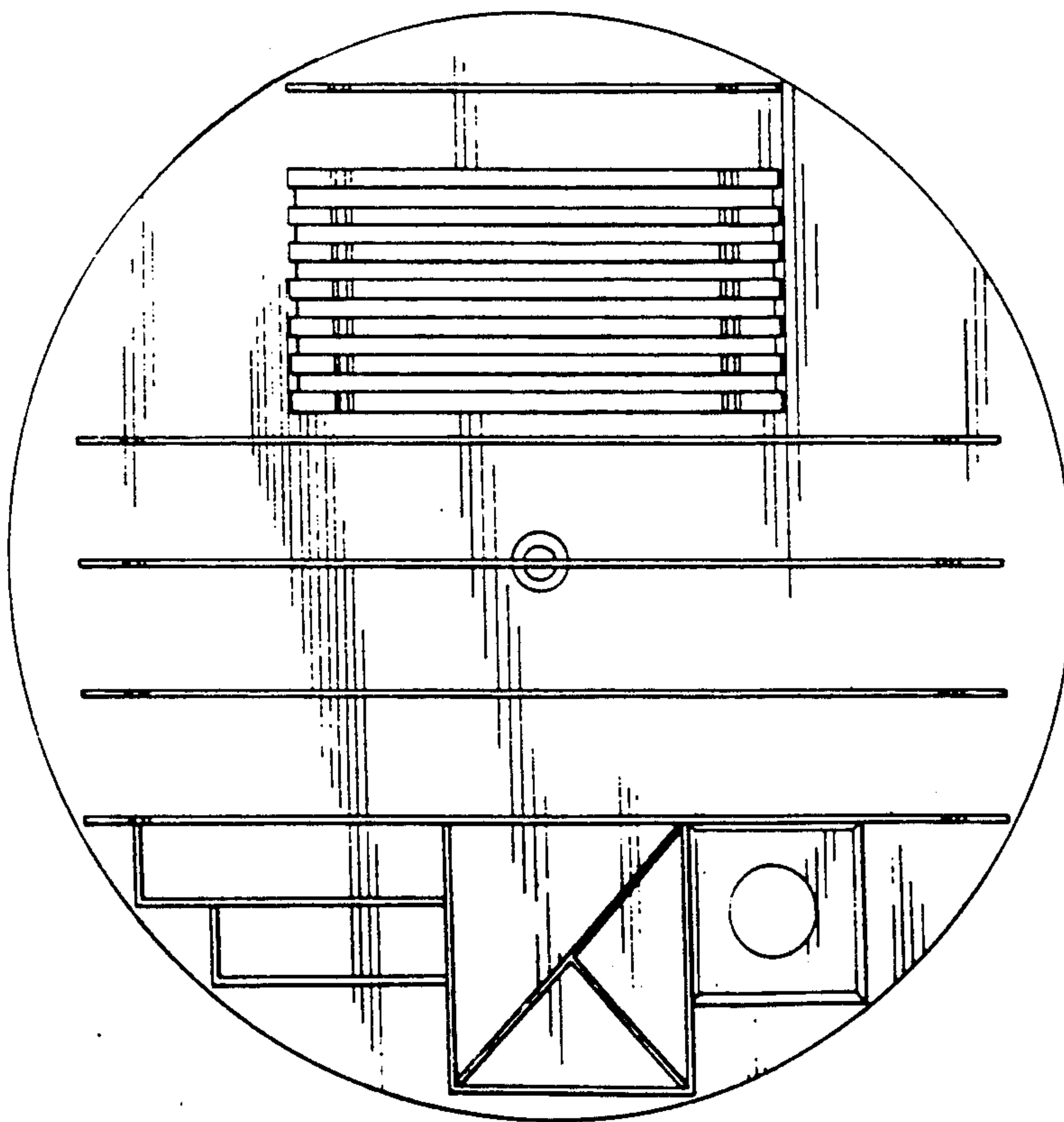


FIG. 2

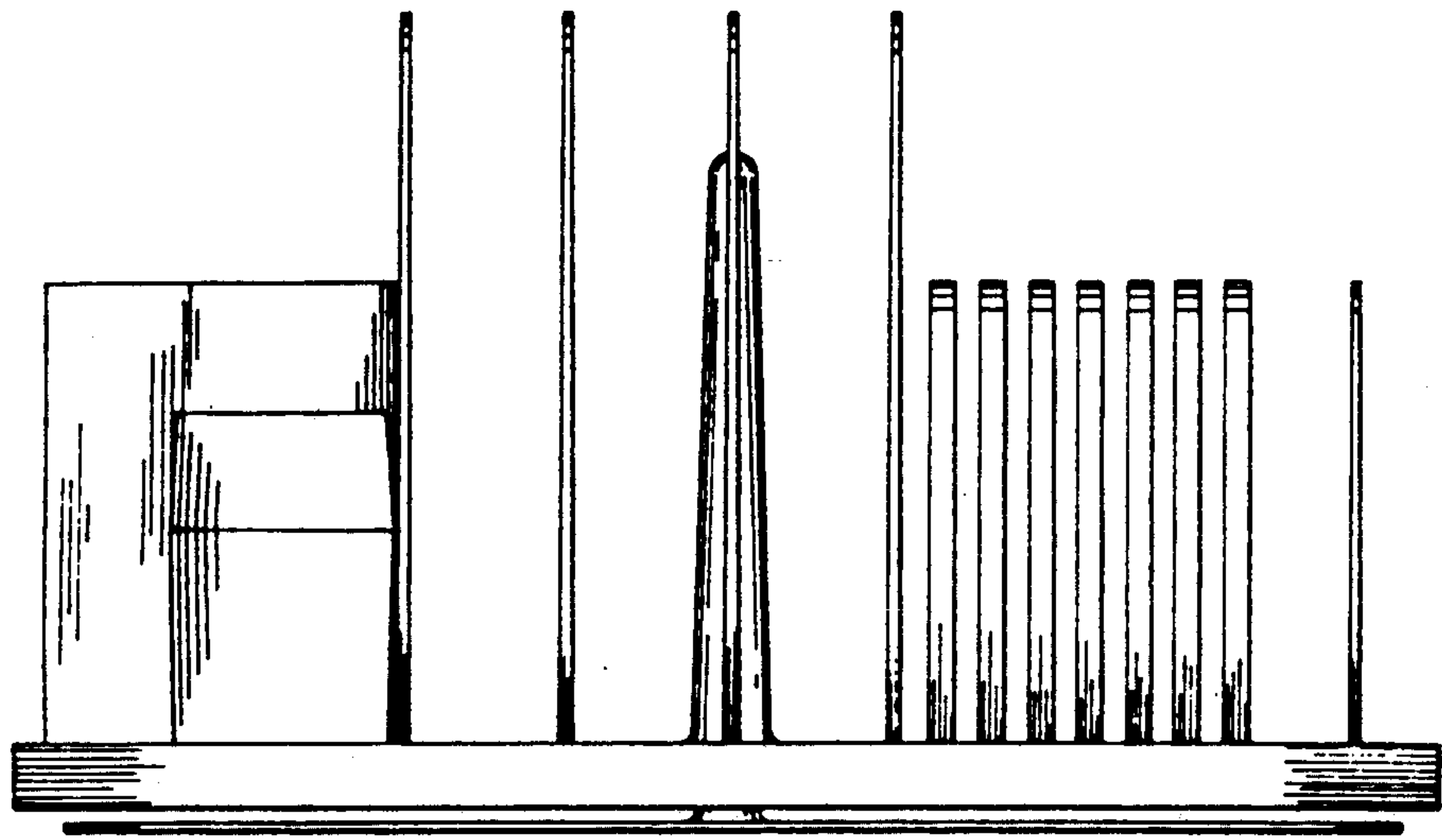


FIG. 3

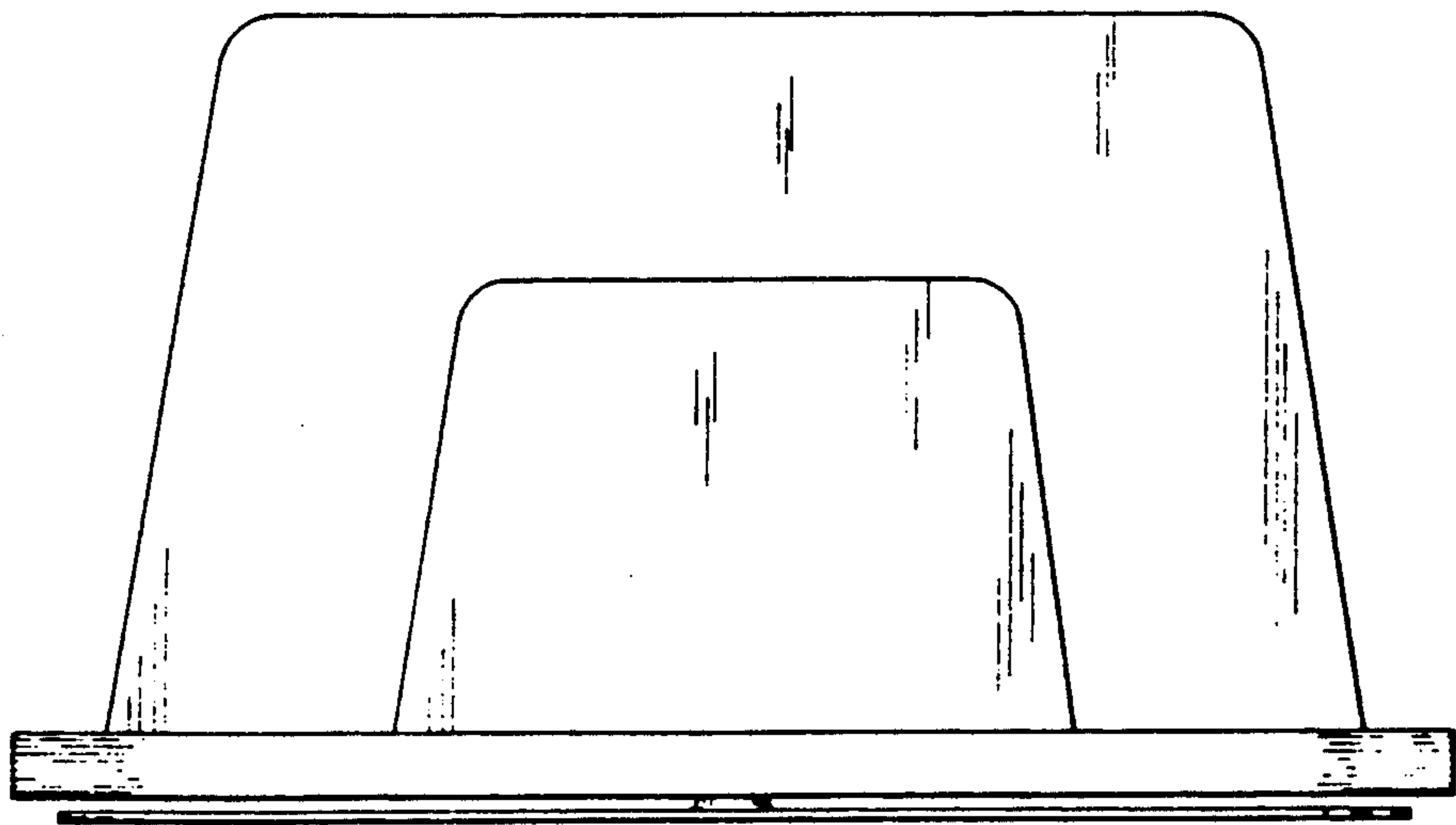


FIG. 4

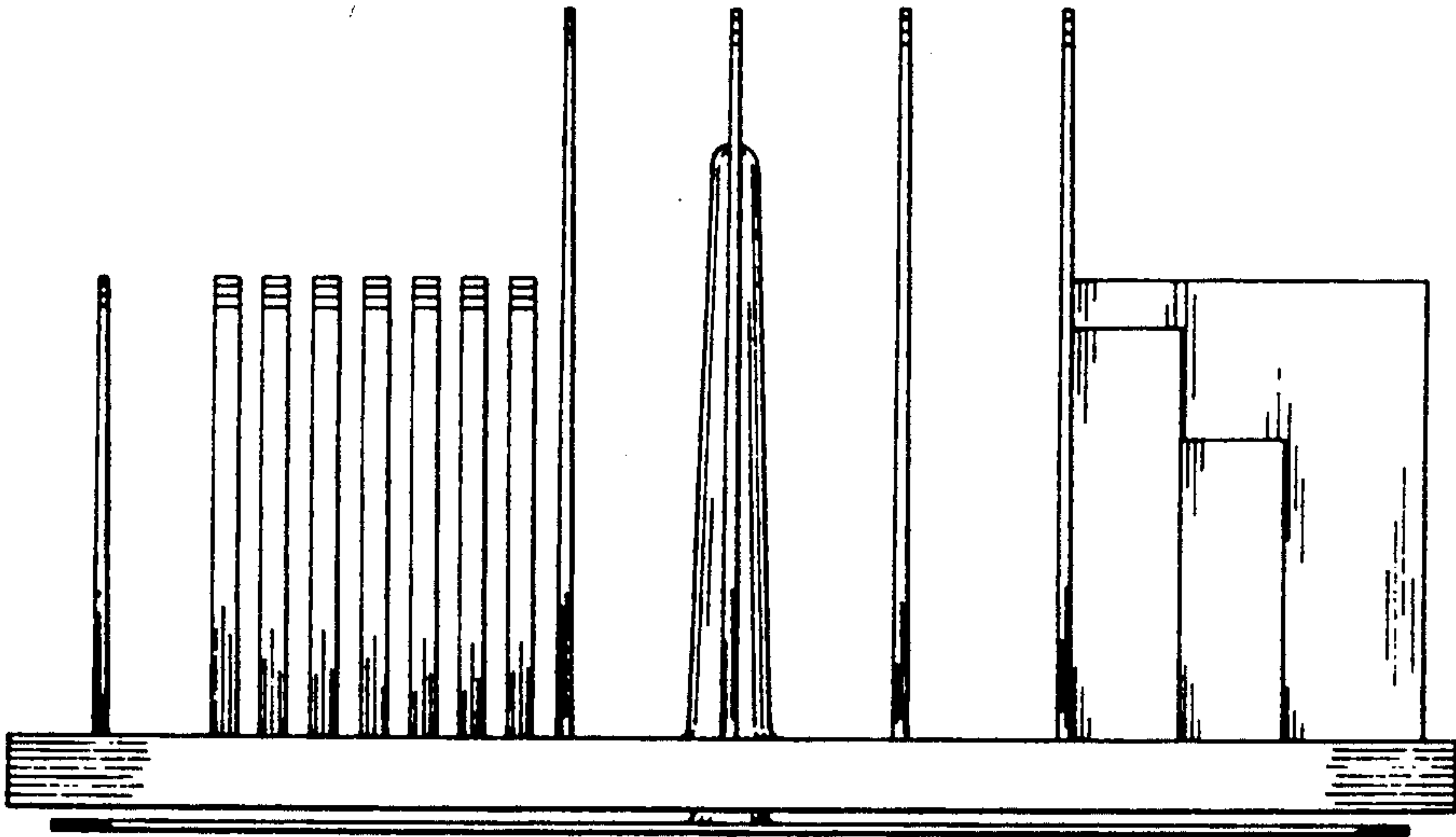


FIG. 5

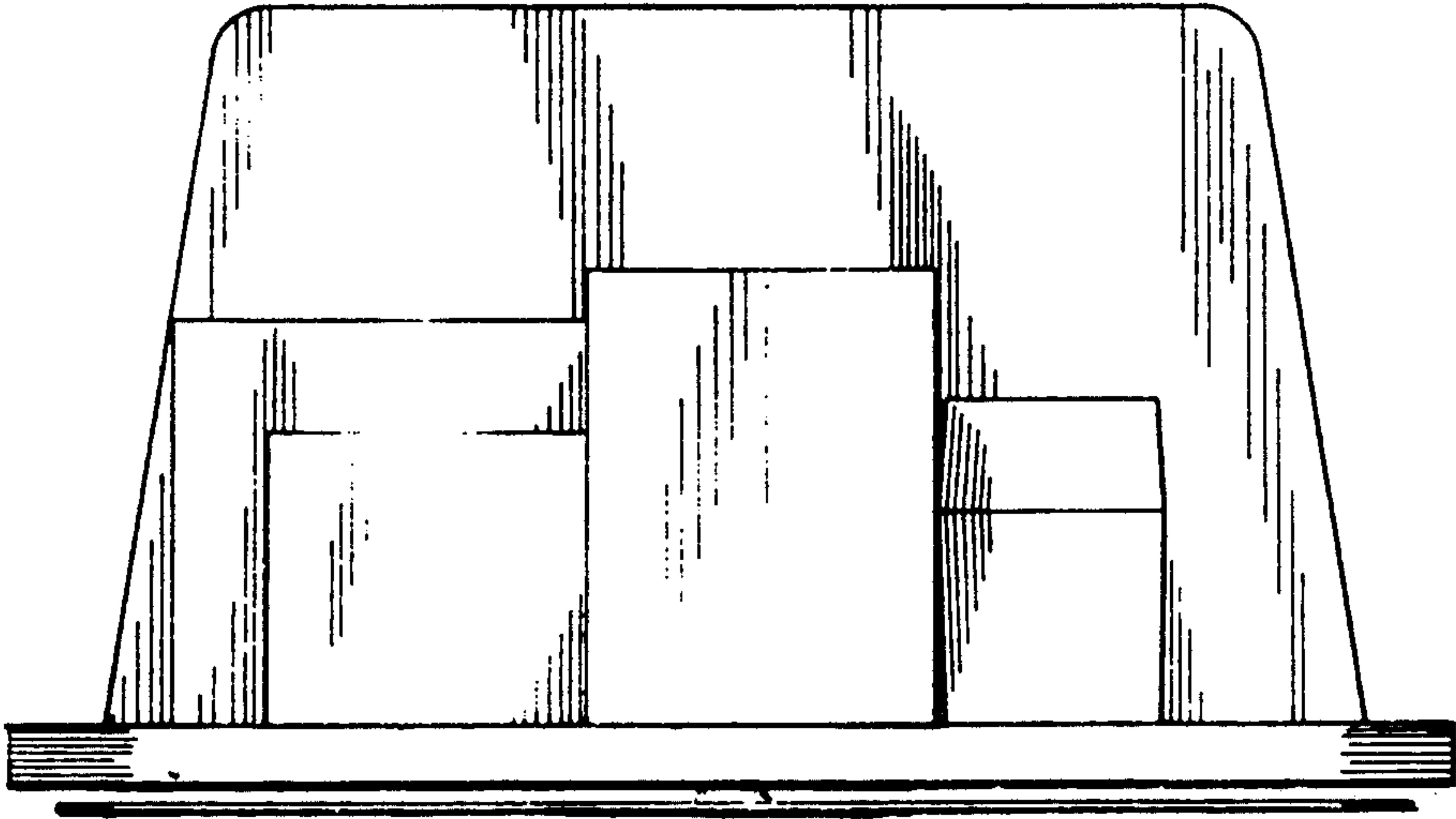


FIG. 6



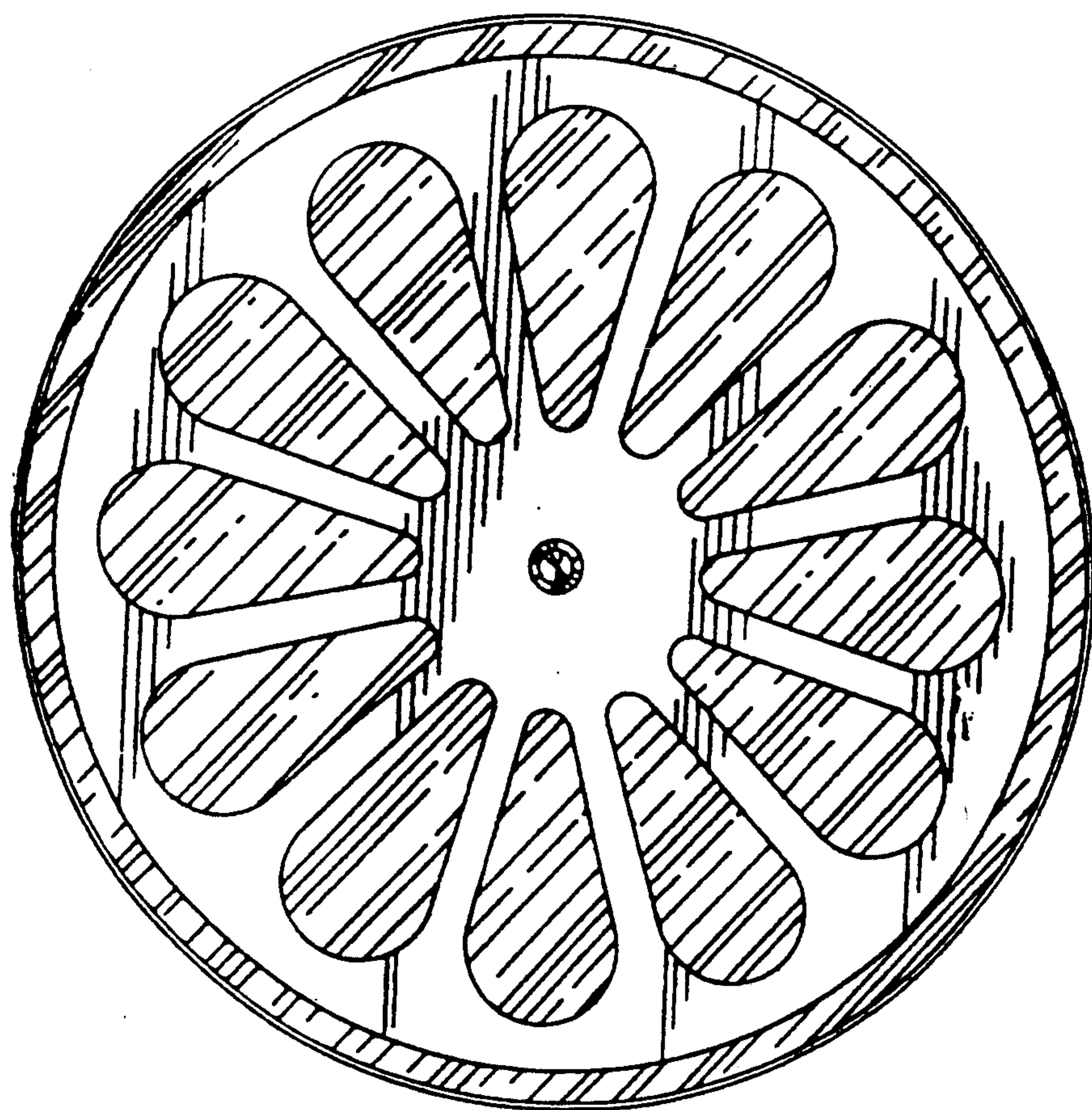


FIG. 7