

[54] TRAINING TOOL FOR TEACHING WORD ASSEMBLY

[76] Inventor: **Barbara H. Healy**, 390 E. Circle Dr., New Lenox, Ill. 60451

[\*\*] Term: **14 Years**

[21] Appl. No.: **250,356**

[22] Filed: **Sep. 28, 1988**

[52] U.S. Cl. .... **D19/59**

[58] Field of Search ..... D19/59, 60, 61, 62, D19/63, 64; D21/14, 20; 434/167, 172, 171, 327

4,030,211 6/1977 McGinley ..... 434/167  
 4,824,376 4/1989 Arash ..... 434/327 X

*Primary Examiner*—Wallace R. Burke  
*Assistant Examiner*—Pamela Schmidt

[57] CLAIM

The ornamental design for a training tool for teaching word assembly, as shown and described.

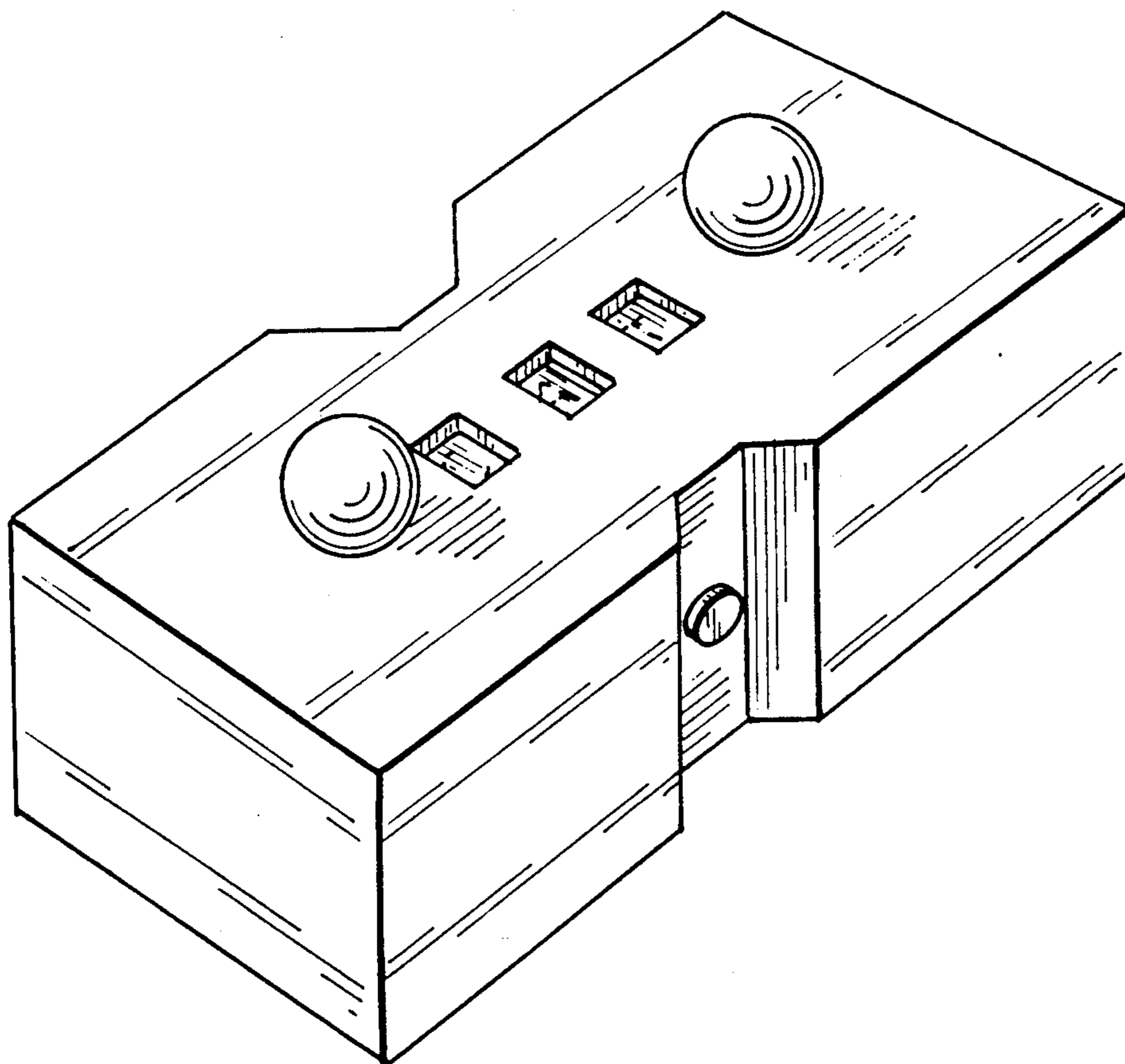
DESCRIPTION

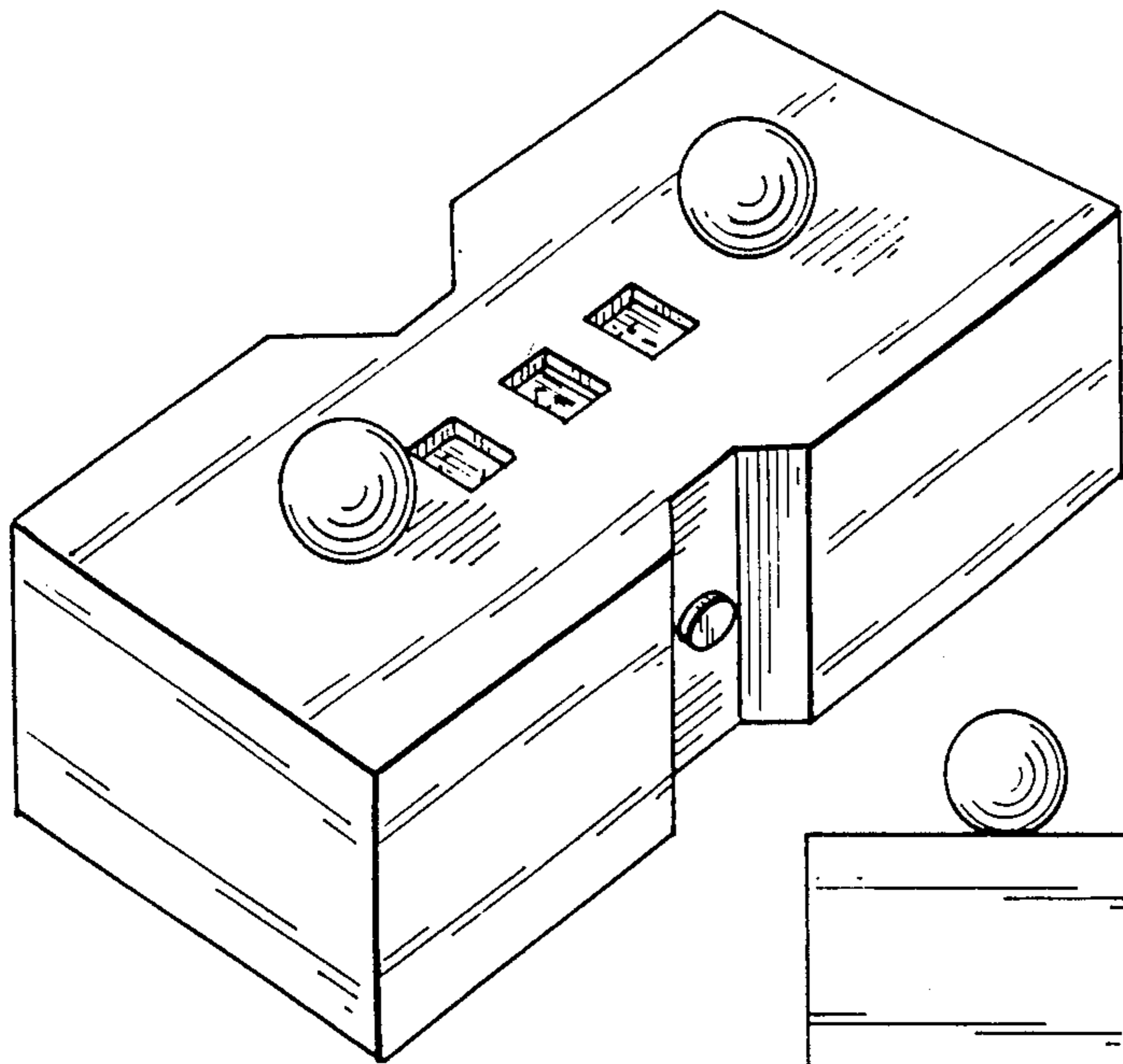
FIG. 1 is a top perspective view of a training tool for teaching word assembly showing my new design; FIG. 2 is a rear elevational view thereof; FIG. 3 is a top plan view thereof; FIG. 4 is a side elevational view thereof, the undisclosed side being a mirror image; FIG. 5 is a bottom plan view thereof; and FIG. 6 is a front elevational view thereof. The broken lines shown in FIGS. 1 and 3 are for illustrative purposes only and form no part of the claimed design.

[56] References Cited

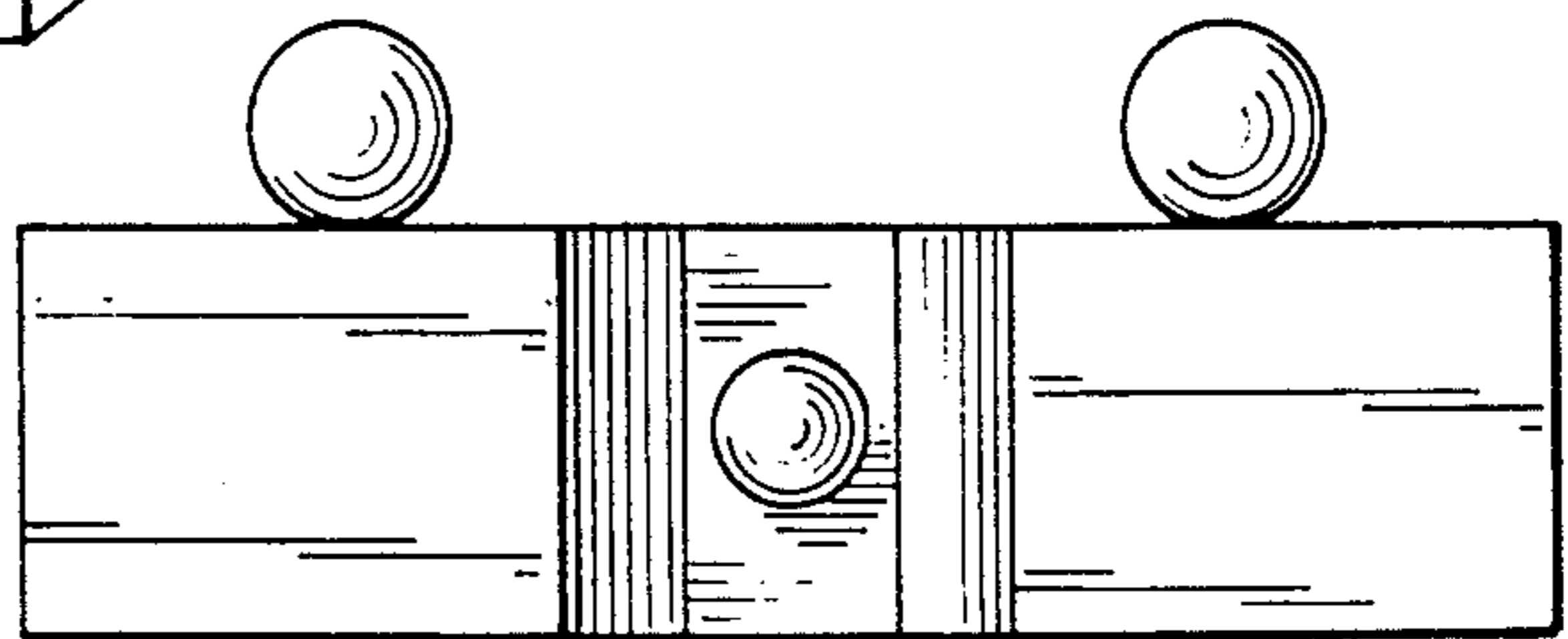
U.S. PATENT DOCUMENTS

D. 247,441	3/1978	Kroll	.....	D19/59 X
641,739	1/1900	Thompson	.....	434/167 X
1,396,379	10/1921	Moore	.....	434/167 X
1,732,980	10/1929	Mooney	.....	434/167 X
2,782,038	2/1957	Engel, Jr.	.....	434/167 X

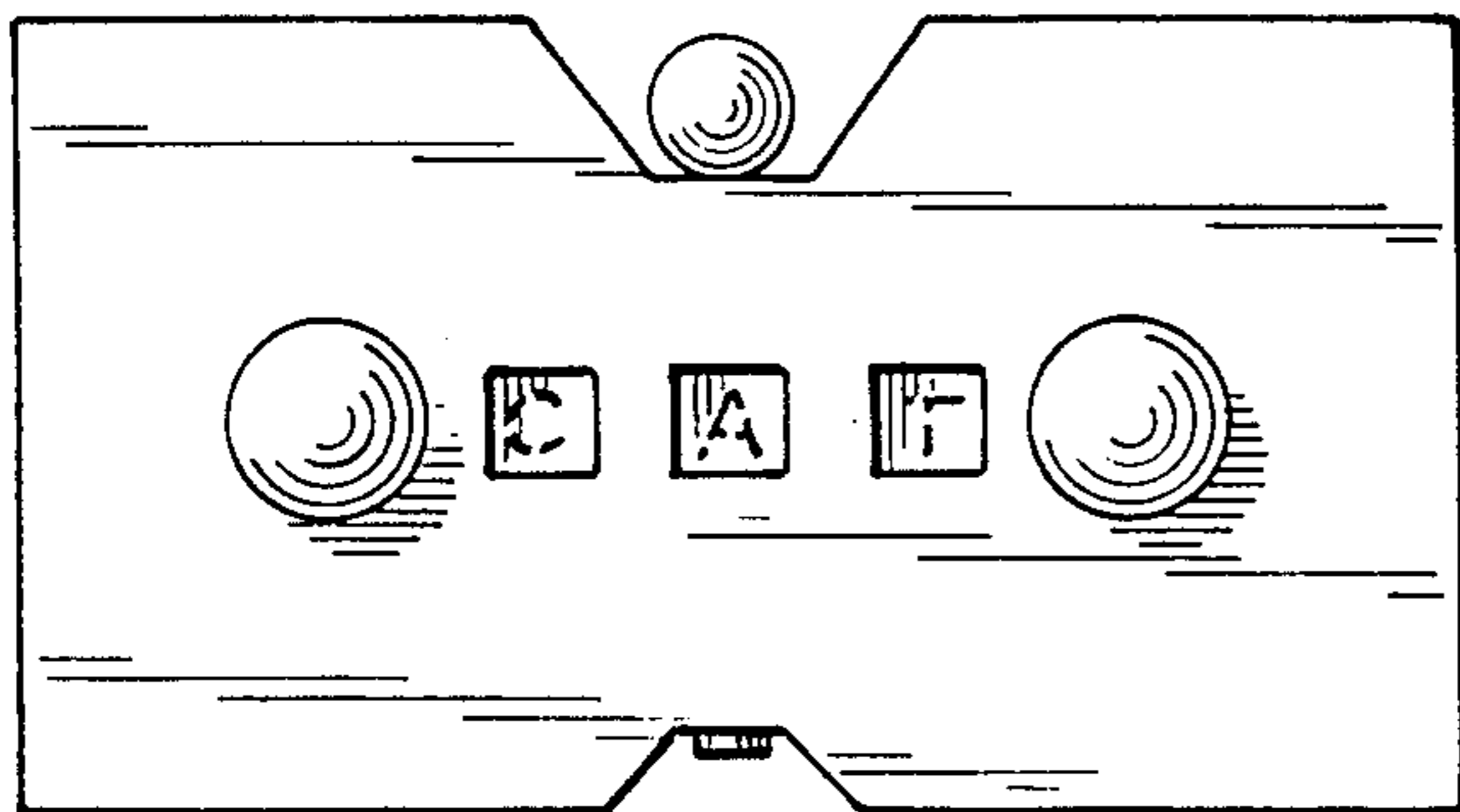




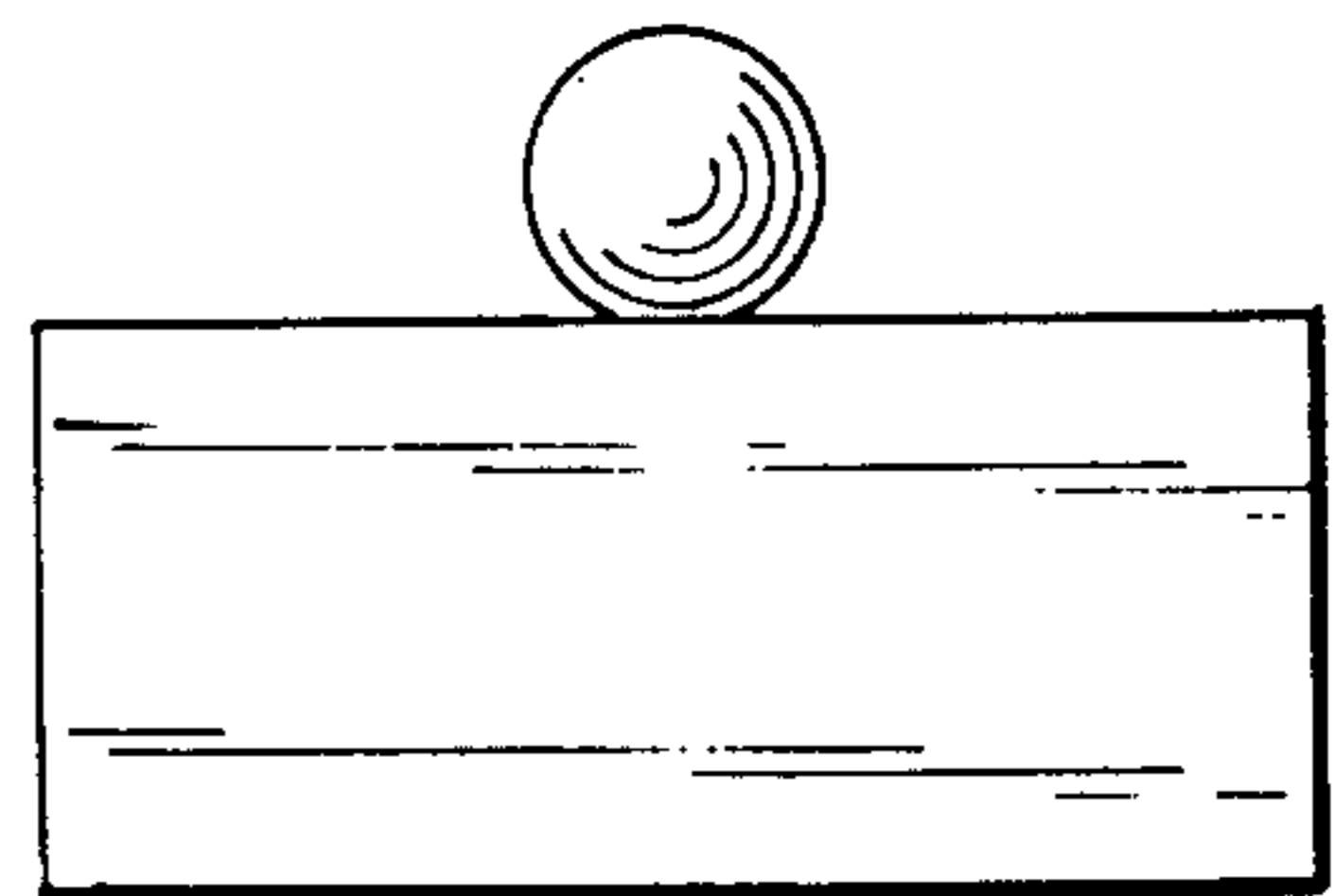
*Fig. 1*



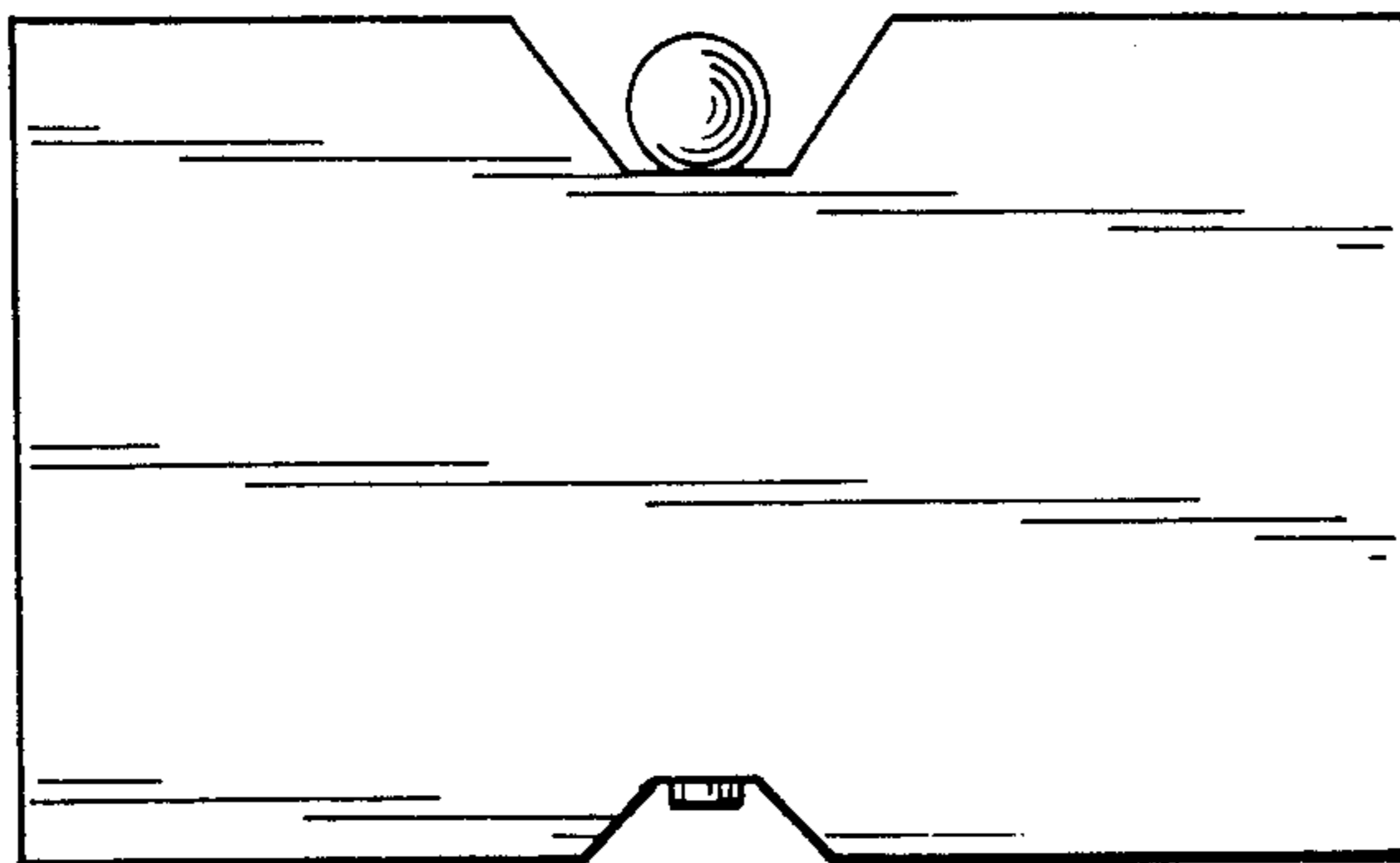
*Fig. 2*



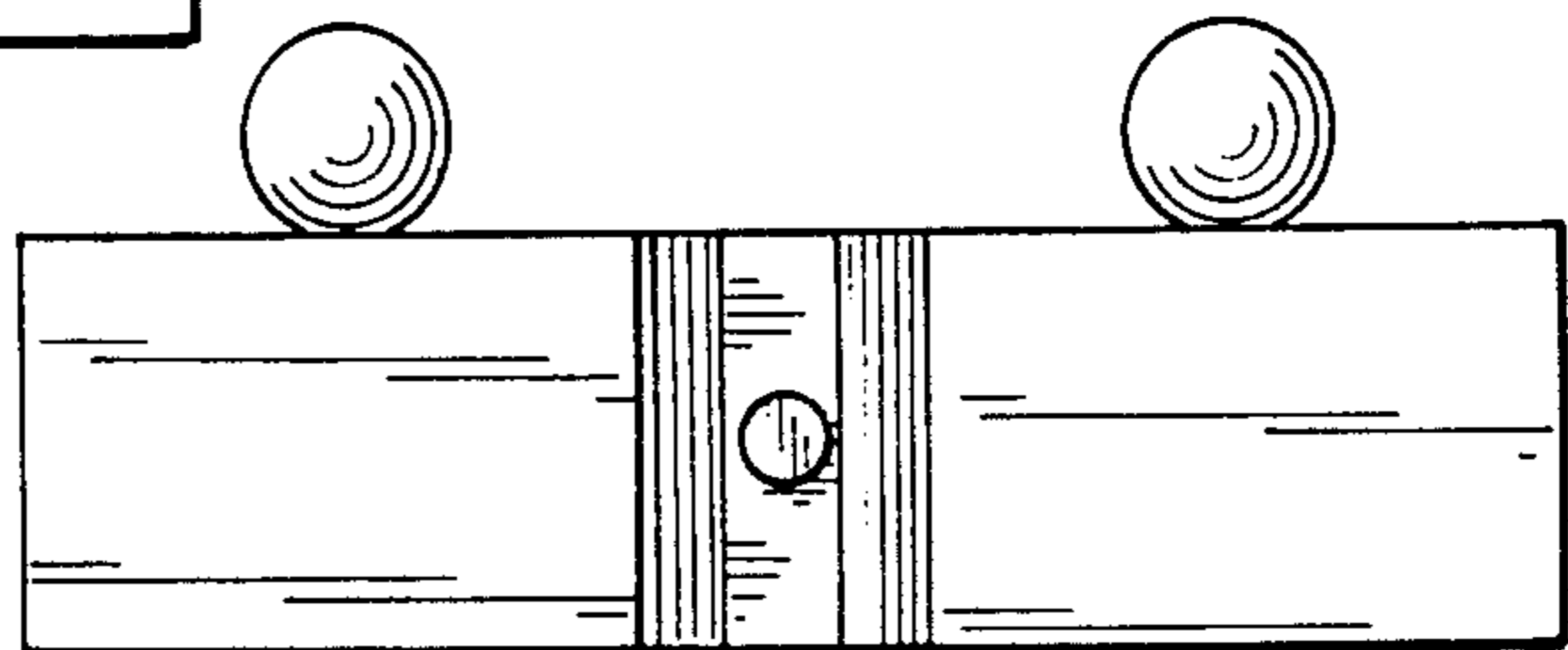
*Fig. 3*



*Fig. 4*



*Fig. 5*



*Fig. 6*