

[54] PHOTOGRAPH NEGATIVE ORGANIZER

1,320,683 11/1919 Goodhue 40/159 X
2,272,623 2/1942 Runner 229/80 X

[76] Inventor: **Ralph E. Barrick**, Kirk Line, R.R.
#2, Bracebridge, Ontario, Canada,
POB 1C0

Primary Examiner—Wallace R. Burke
Assistant Examiner—Pamela Schmidt
Attorney, Agent, or Firm—Leon Gilden

[**] Term: **14 Years**

[57] CLAIM

[21] Appl. No.: **211,396**

The ornamental design for a photograph negative organizer, as shown and described.

[22] Filed: **Jun. 22, 1988**

[52] U.S. Cl. **D19/33; D19/3**

DESCRIPTION

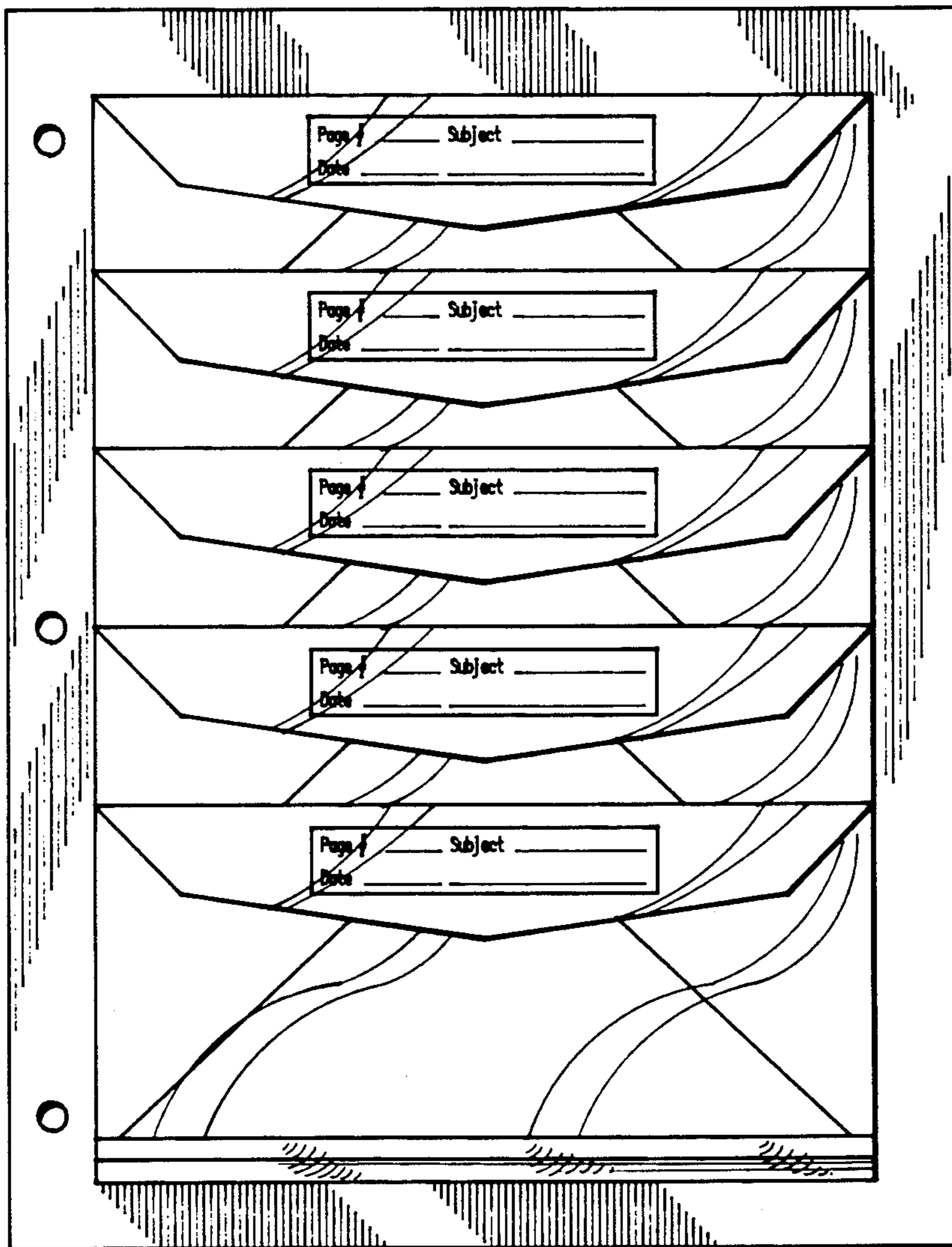
[58] Field of Search **D19/1, 2, 3, 4, 5, 6,
D19/7, 8, 33; 229/68 R, 71, 72, 73, 92.8, 81, 80;
283/41, 36, 39, 116; 206/618; 282/25**

FIG. 1 is a front elevational view of a photograph negative organizer showing my new design;
FIG. 2 is a rear elevational view thereof;
FIG. 3 is a left side elevational view thereof;
FIG. 4 is a right side elevational view thereof;
FIG. 5 is a top plan view thereof;
FIG. 6 is a bottom plan view thereof; and,
FIG. 7 is an enlarged partially cut-away perspective view thereof.

[56] References Cited

U.S. PATENT DOCUMENTS

Re. 17,468 10/1929 Osborn 206/215
D. 272,748 2/1984 Kirk D19/33
399,830 3/1889 Burns 281/3.1



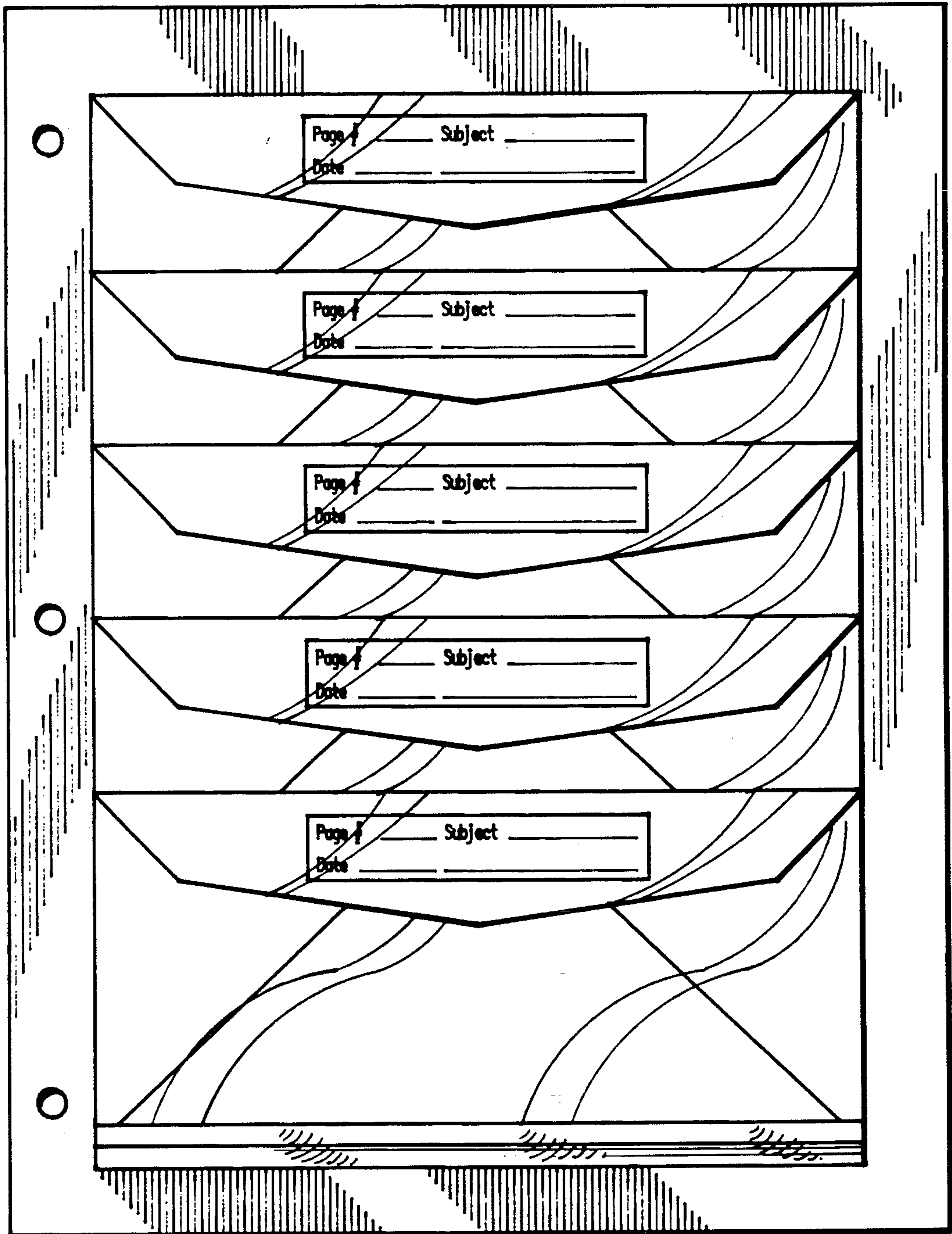


Fig. 1

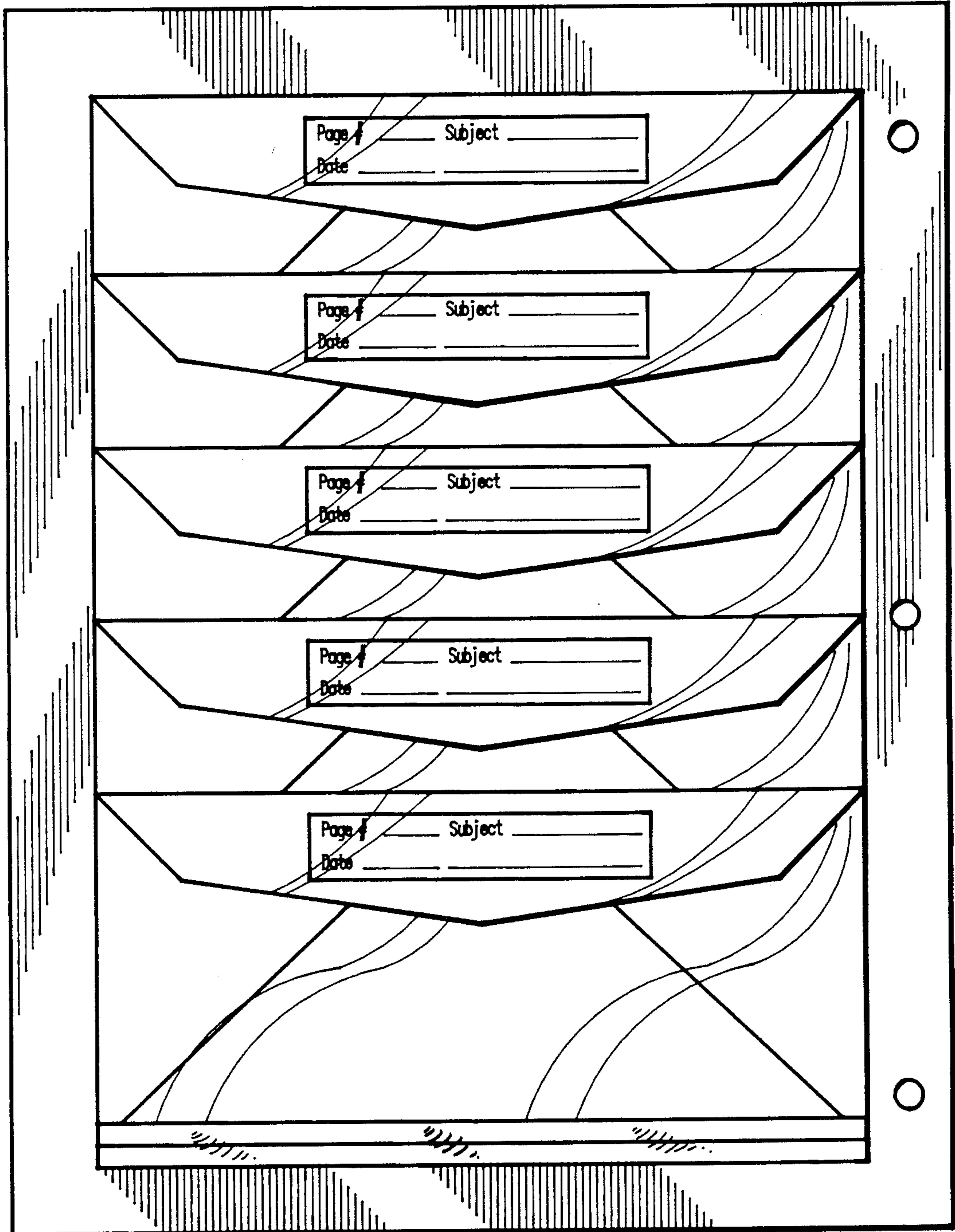


Fig. 2



Fig. 3



Fig. 4



Fig. 5



Fig. 6

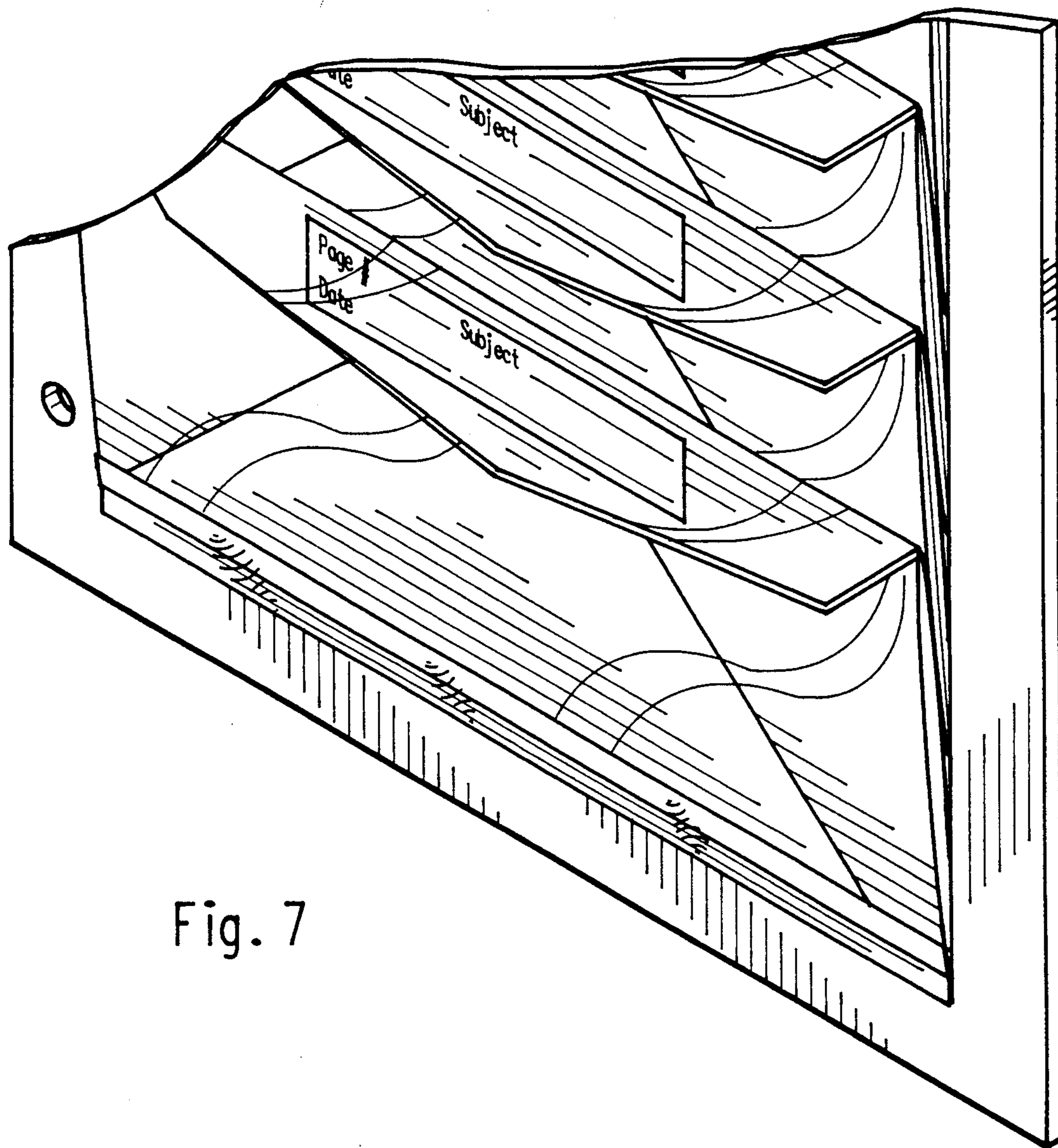


Fig. 7